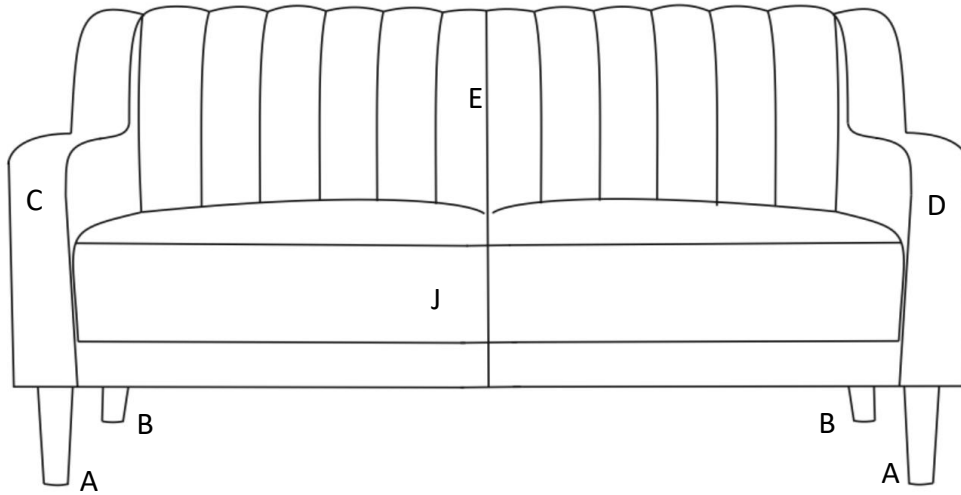


# ASSEMBLY INSTRUCTION

ITEM S5650/S5651/S5652/S5653/S5654/S5655



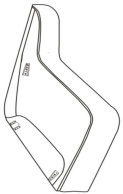
A:Front Legs



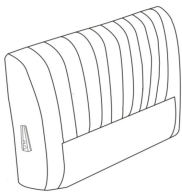
B:Back Legs  
2PCS



C:Left Arm 1PC



D:Right Arm 1PC



E:Backrest 1PC



F:Washer 2PCS



G:Bolt 2PCS

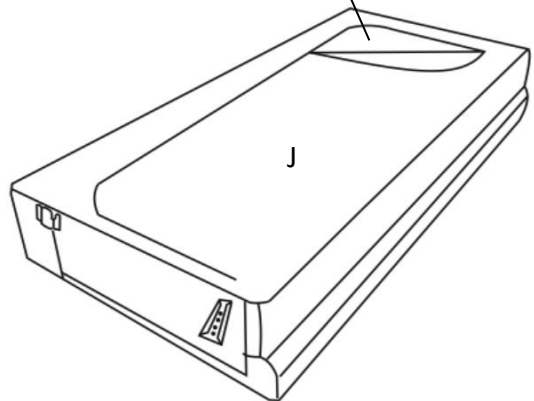


H:Allen Key 1PC

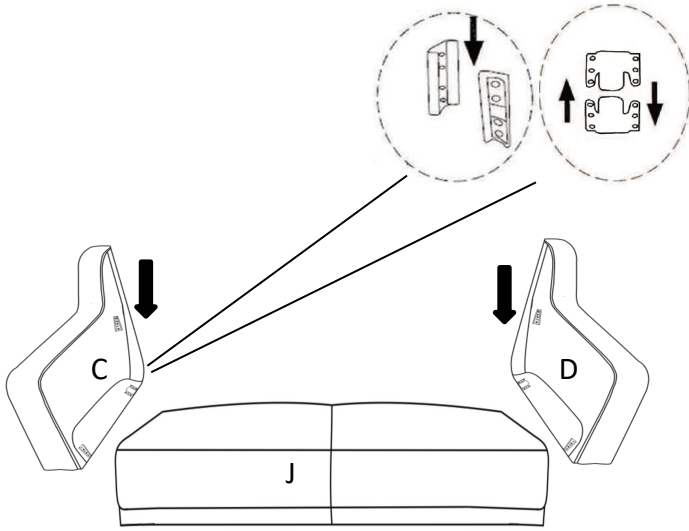


J:Body 1PC

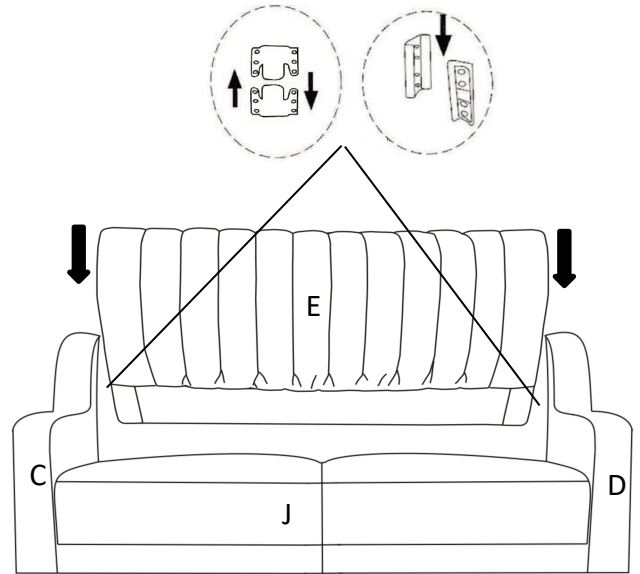
Ax2,Bx2,Fx2,Gx2,Hx1  
Packed In The Bottom



STEP 1

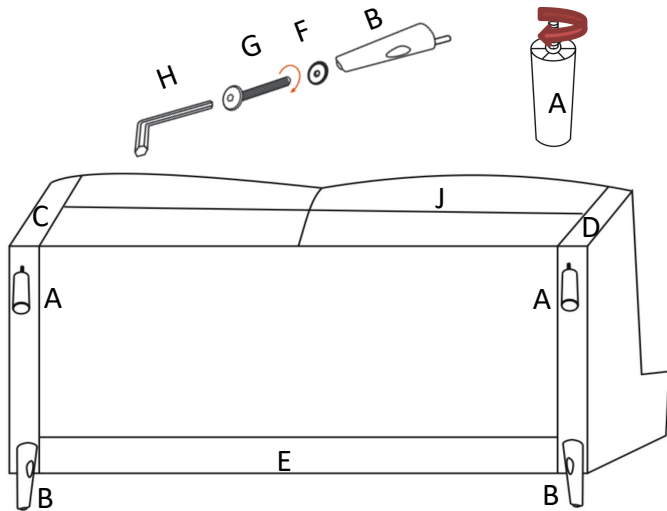


STEP 2

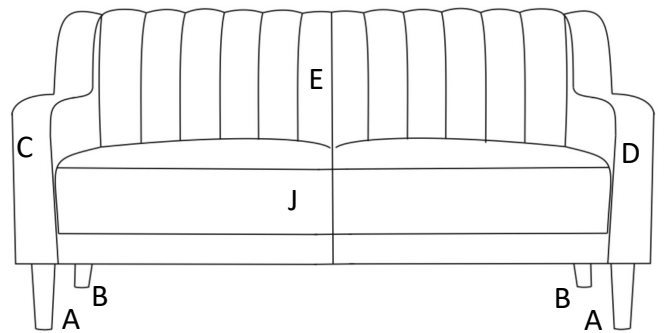


STEP 3

- 1) Turn the front legs A clockwise to fix it on the sofa.
- 2) Use the spare parts FGH to fix the back legs (B) on the sofa.

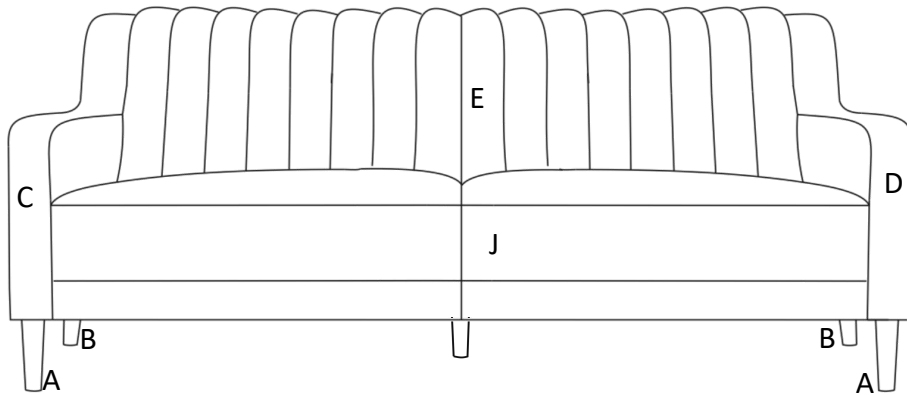


STEP 4



# ASSEMBLY INSTRUCTION

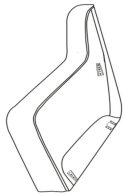
ITEM S5650/S5651/S5652/S5653/S5654/S5655



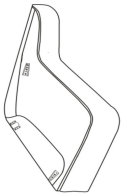
A:Front Legs



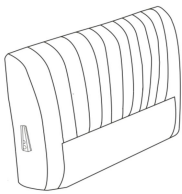
B:Back Legs  
2PCS



C:Left Arm 1PC



D:Right Arm 1PC



E:Backrest 1PC



F:Washer 2PCS



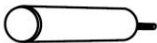
G:Bolt 2PCS



H:Allen Key 1PC

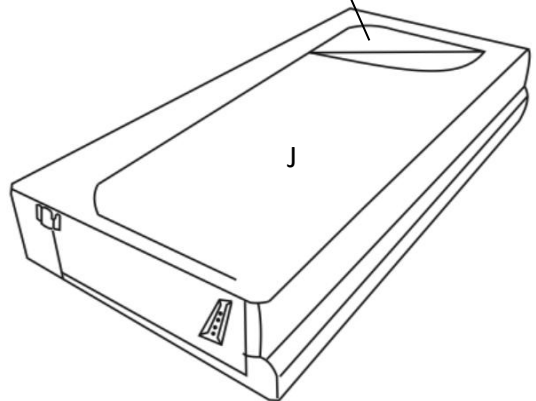


J:Body 1PC

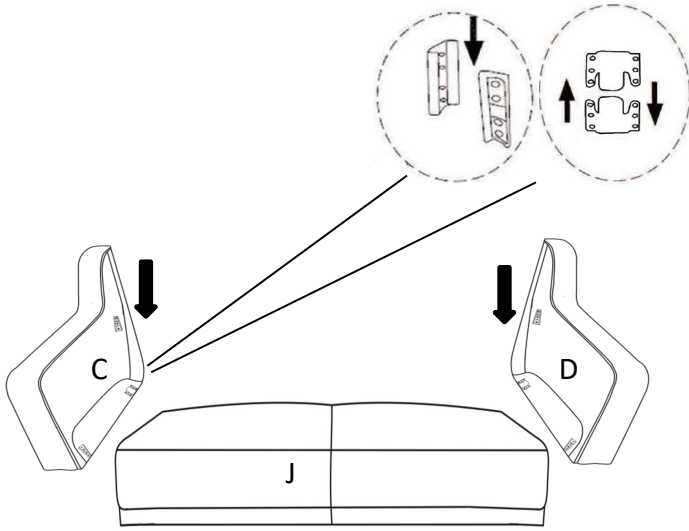


K:Middle Leg 1PC

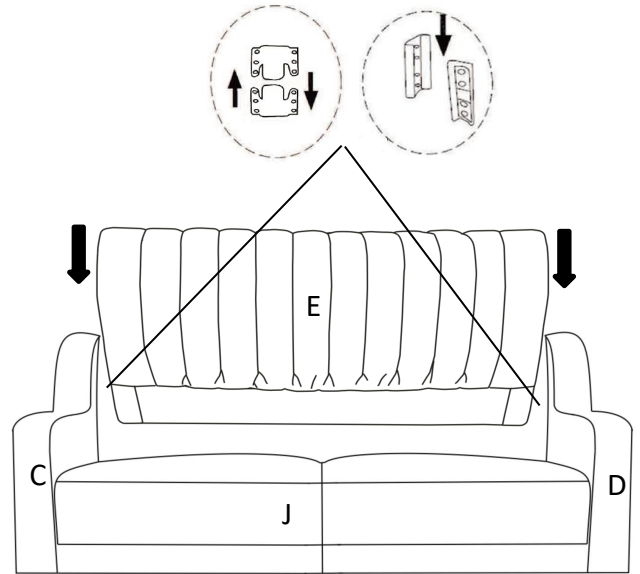
Ax2,Bx2,Fx2,Gx2,Hx1,Kx1  
Packed In The Bottom



STEP 1

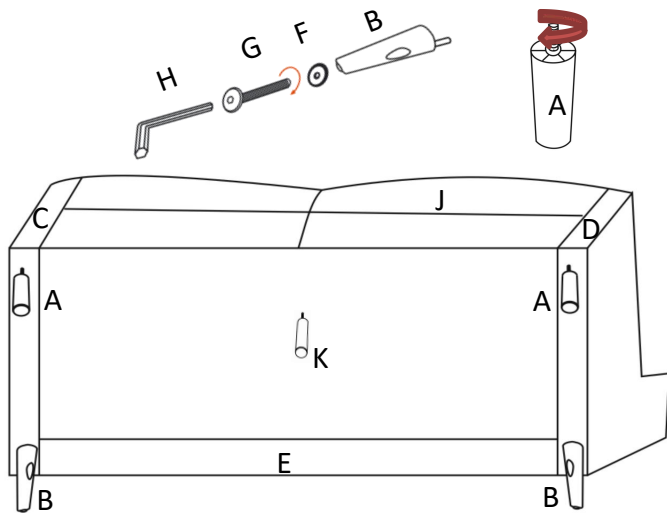


STEP 2



STEP 3

- 1) Turn the legs A&K clockwise to fix it on the sofa.
- 2) Use the spare parts FGH to fix the legs B on the sofa.



STEP 4

