

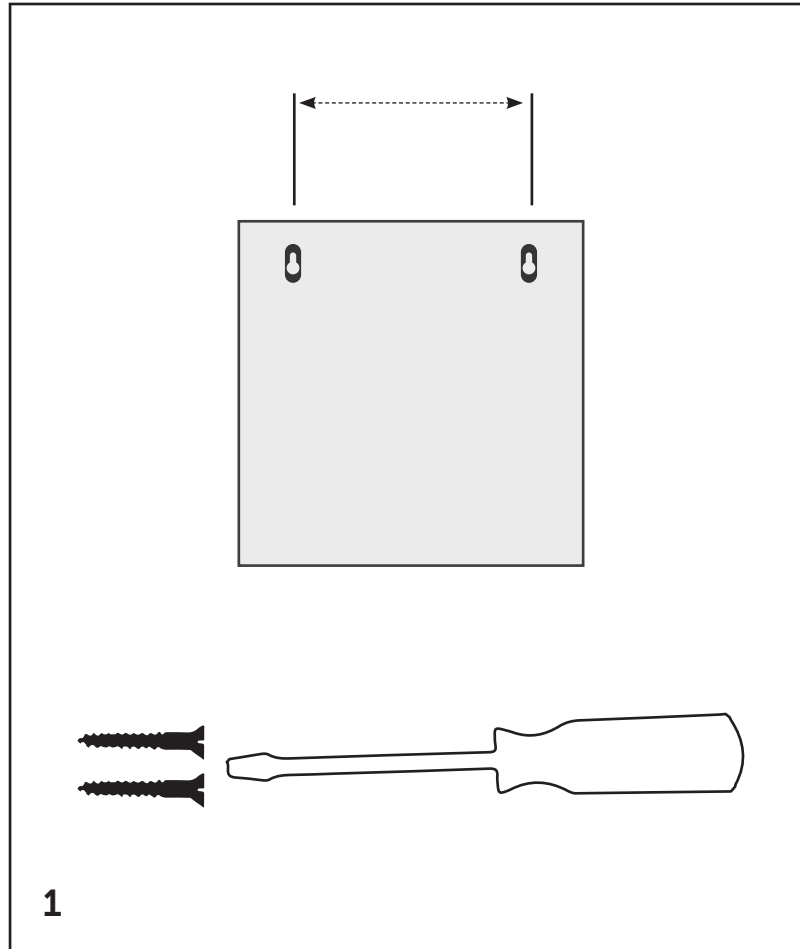
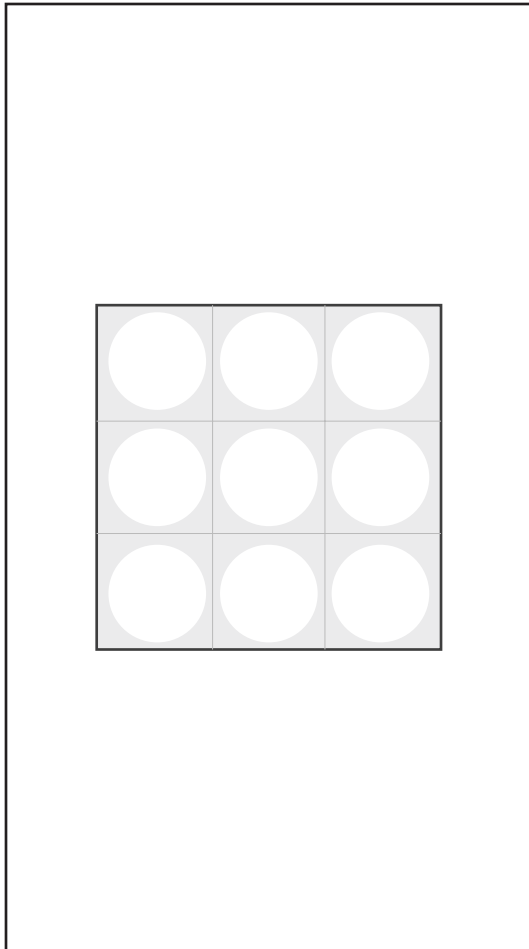


Wall Tile

Installation Guide

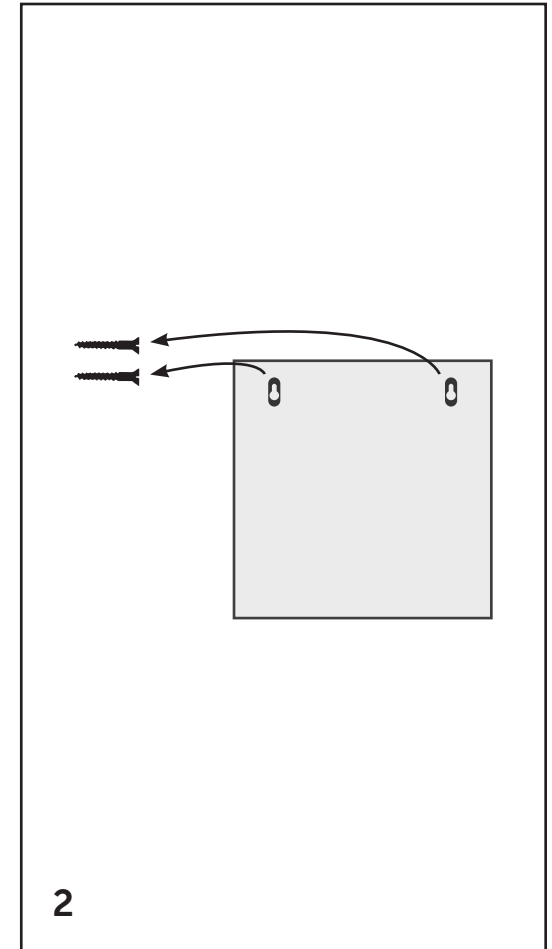
Wall Tile

Wall Mounting



Measure the distance between the holes on the back of Wall Tile.

Place two screws into wall surface at the measured distance and at the same level.



Place the hooks on the back of Wall Tile on the screws.

(screws not included)