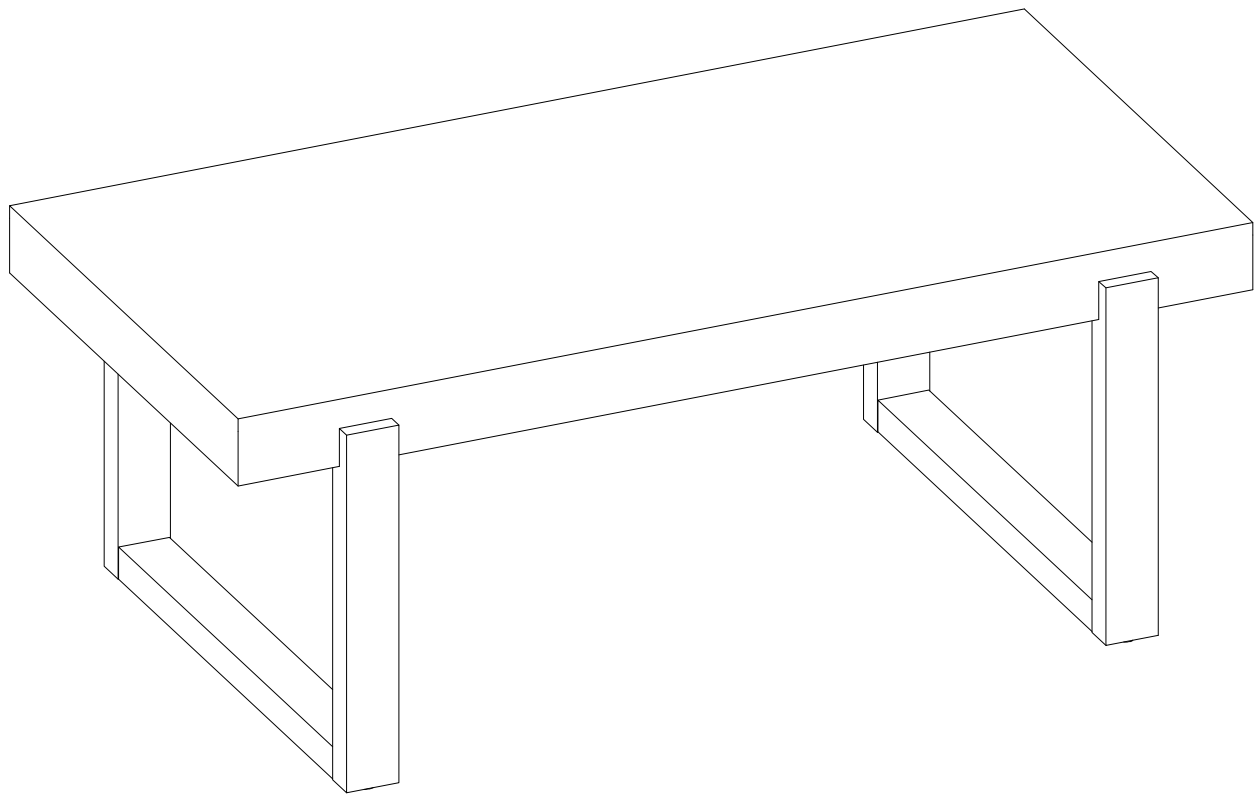


# *ASSEMBLY INSTRUCTIONS*



## Coffee Table

# ASSEMBLY INSTRUCTIONS

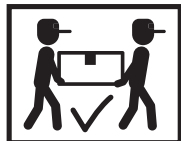
## ASSEMBLY TIPS:

1. Remove hardware from box and sort by size.
2. Please check to see that all hardware and parts are present prior to start of assembly.
3. Please follow attached instructions in the same sequence as numbered to assure fast & easy assembly.



### WARNING!

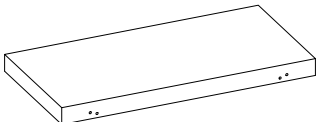
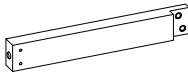
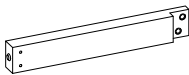
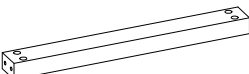
1. Don't attempt to repair or modify parts that are broken or defective. Please contact the store immediately.
2. This product is for home use only and not intended for commercial establishments.



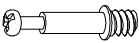
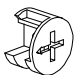



ASSEMBLY TIME

30 MINUTES

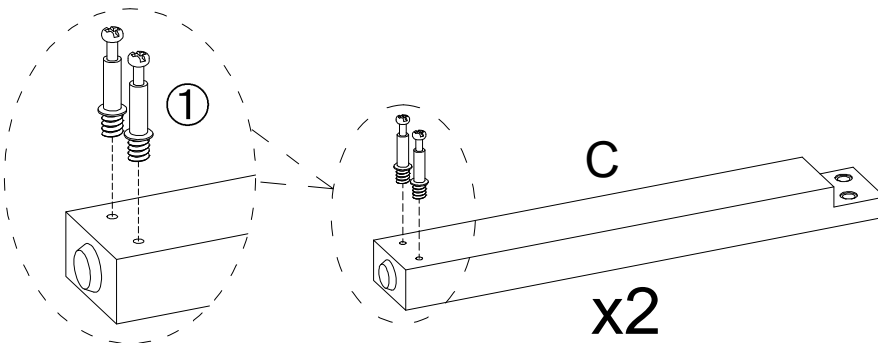
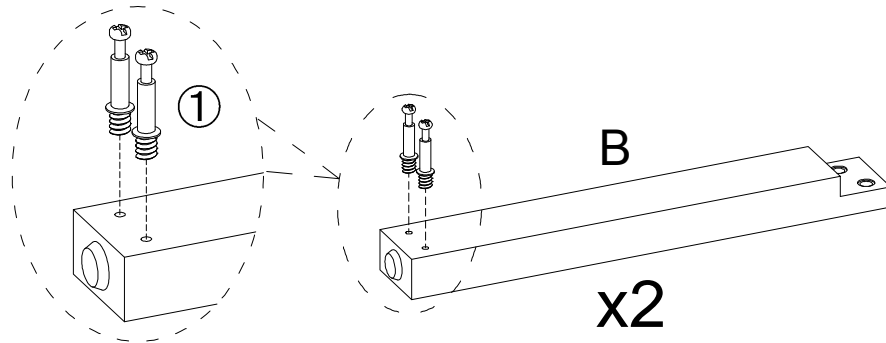
## PARTS IDENTIFICATION

No	DESCRIPTION & FIGURE	QTY
A	<p>TOP</p> 	1pc
B	<p>LEG 1</p> 	2pcs
C	<p>LEG 2</p> 	2pcs
D	<p>LEG SUPPORT</p> 	2pcs

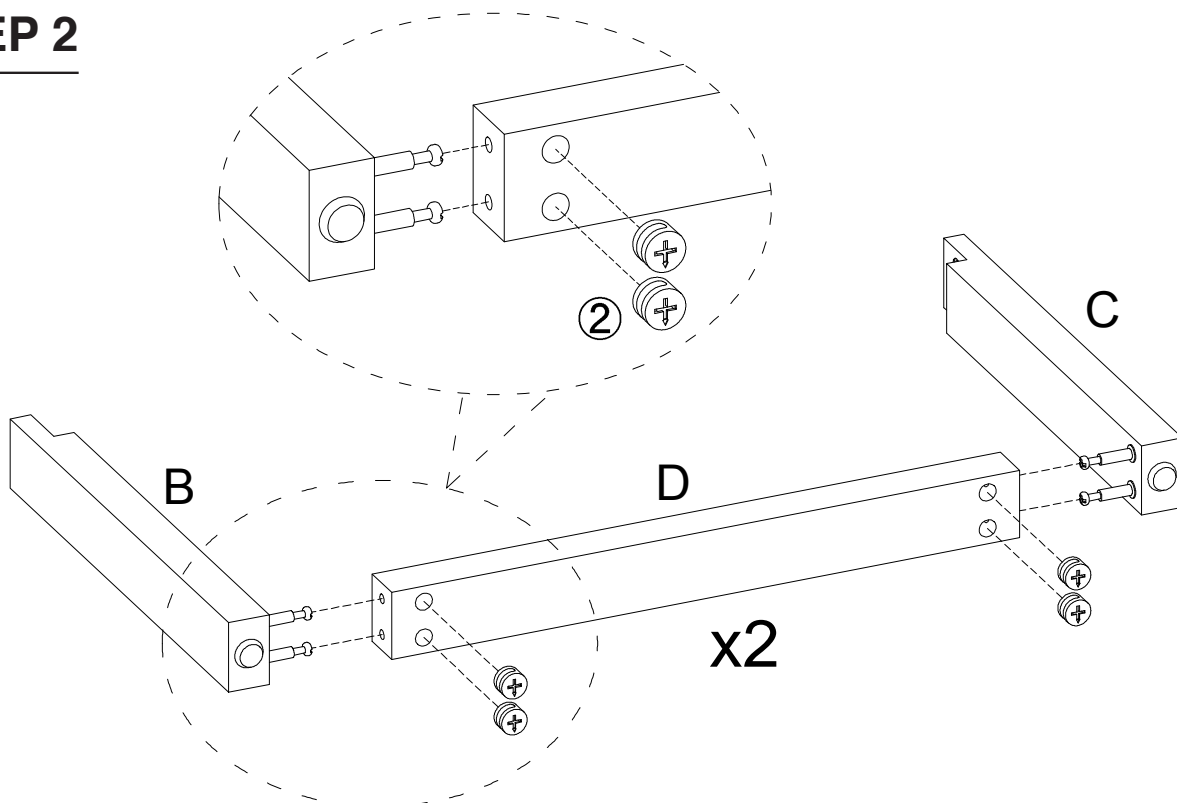
## HARDWARE PACKAGE:

No	DESCRIPTION	FIGURE	QTY
1	CAM BOLT		8pcs
2	COM LOCK		8pcs
3	BOLT	 M8x30mm	8pcs
4	WASHER	 Ø20xØ8x1.2mm	8pcs
5	ALLEN KEY (5mm)		1pc

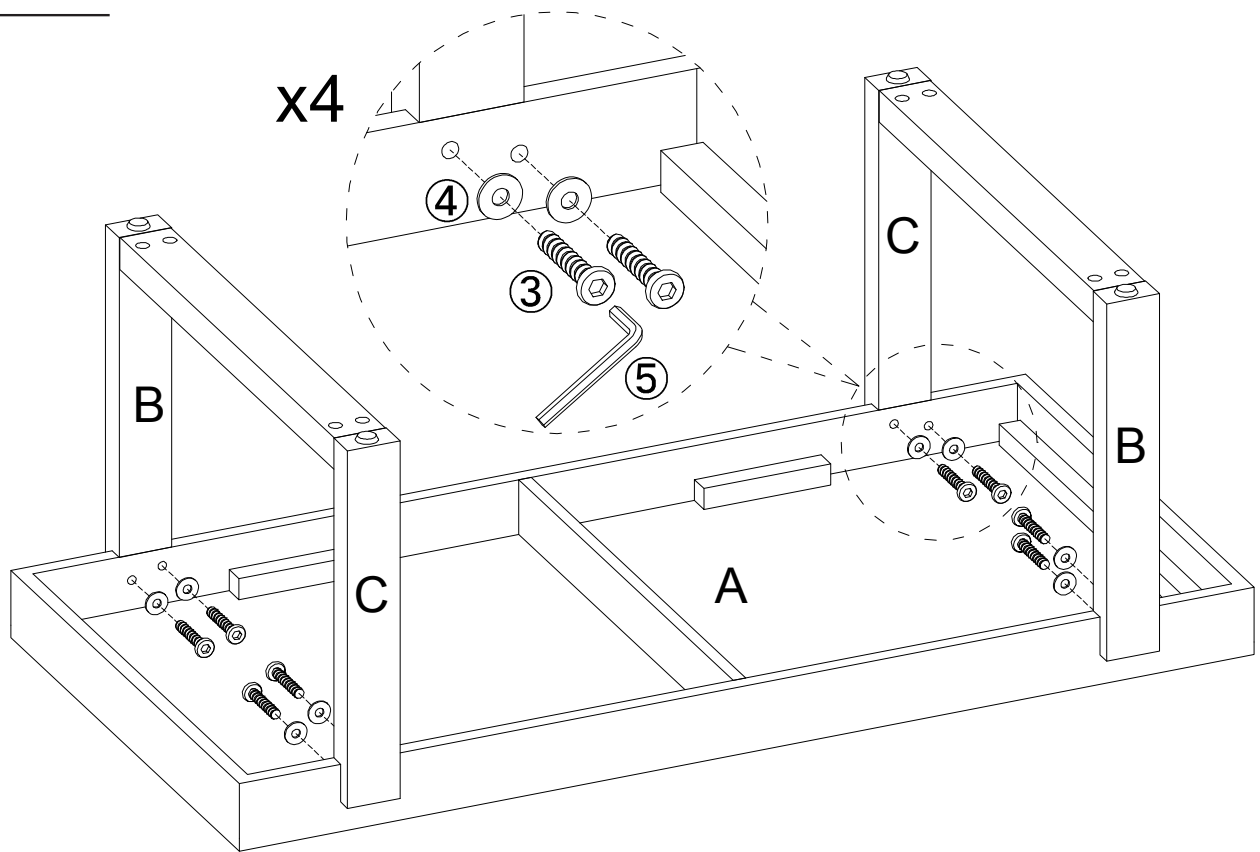
## STEP 1



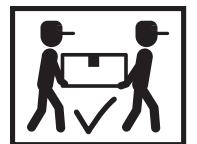
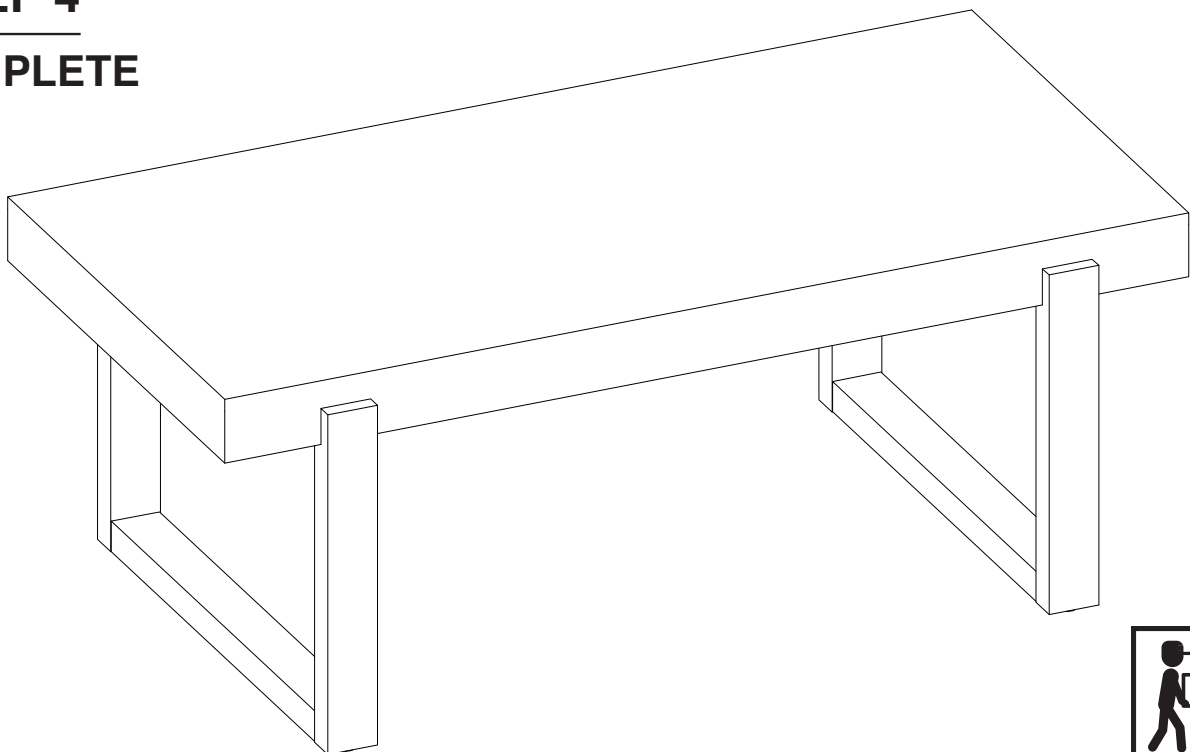
## STEP 2

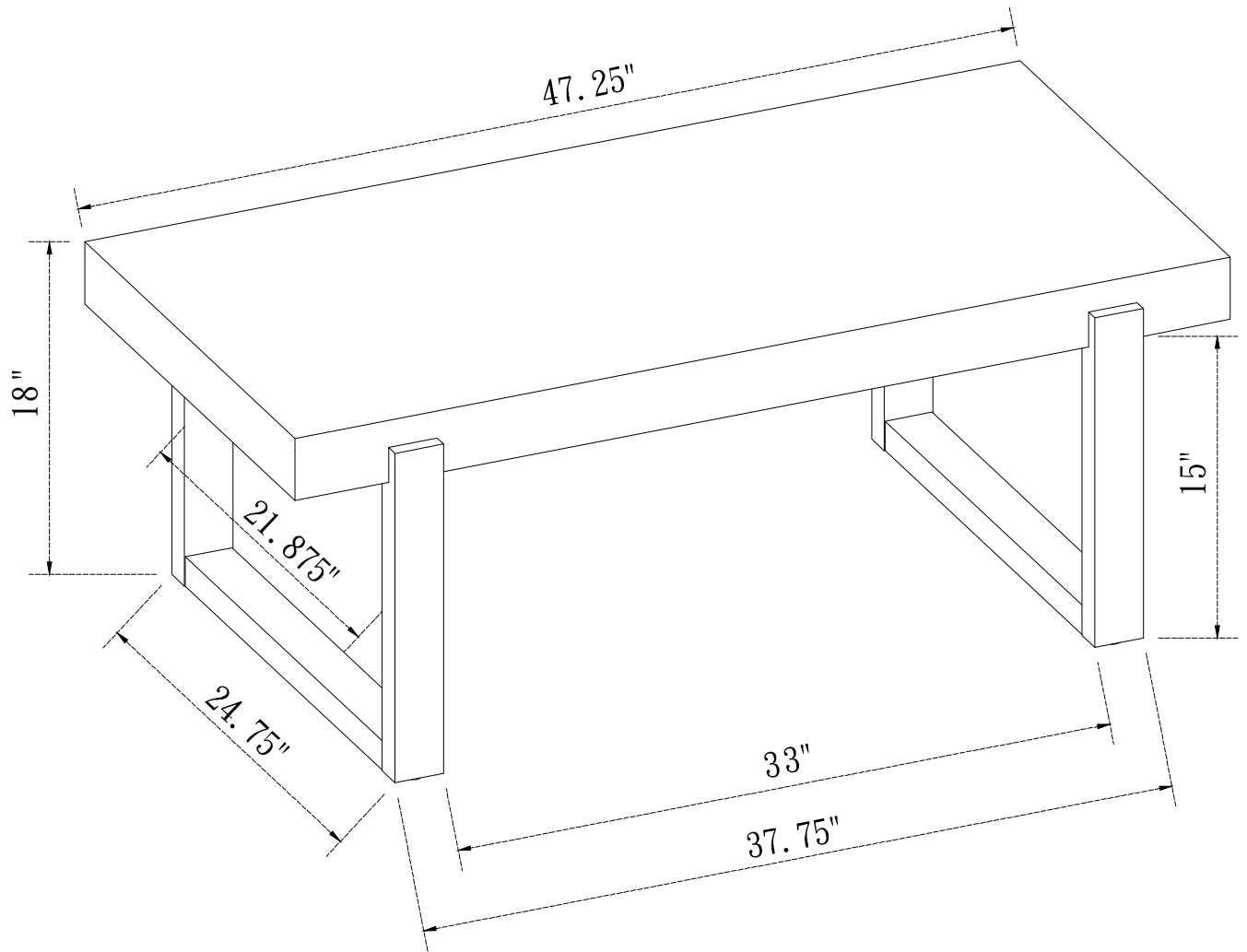


### STEP 3



### STEP 4 **COMPLETE**





Note: Dimension tolerance  $\pm 5\%$