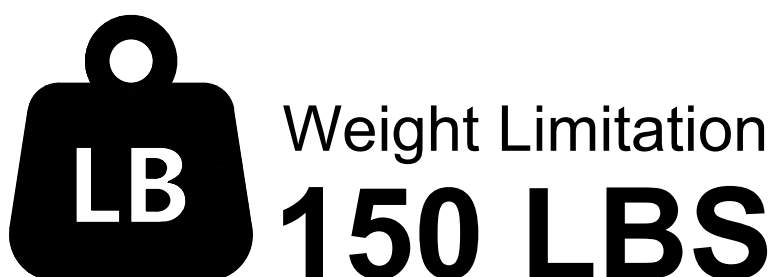


NOTE:

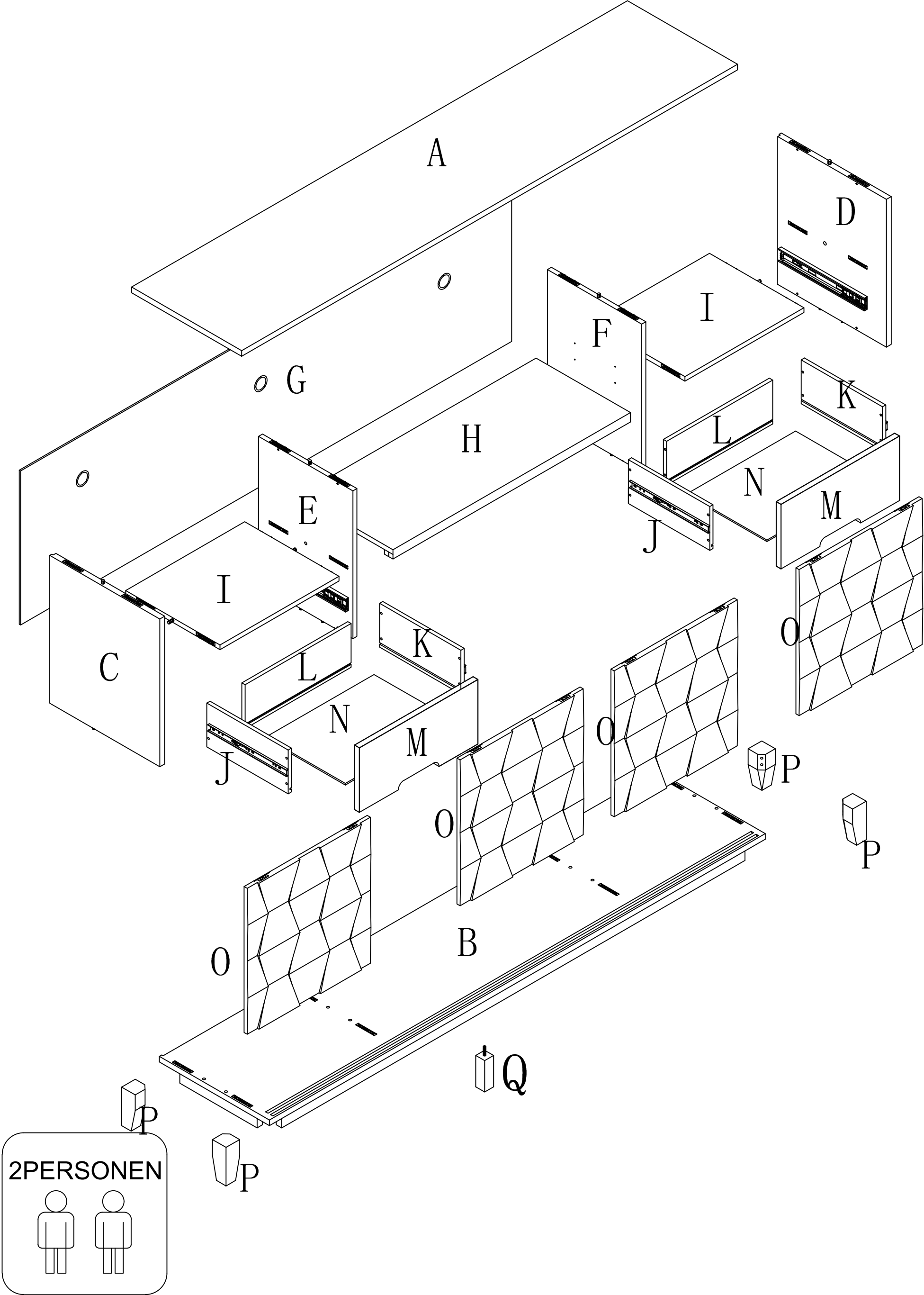
This brochure contains **IMPORTANT** safety info. Please read and keep for future reference.

MAINTAINANCE AND WARNING

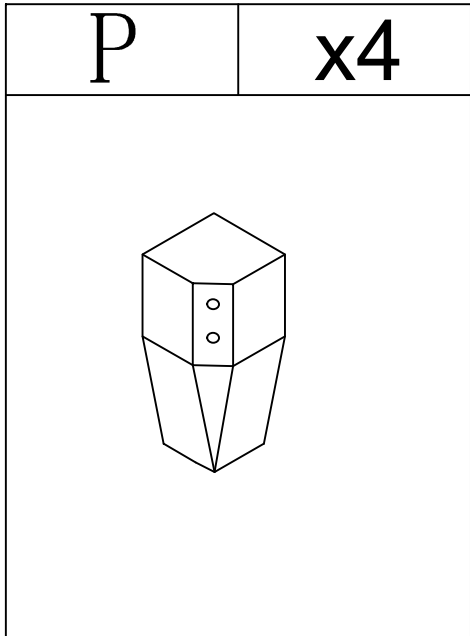
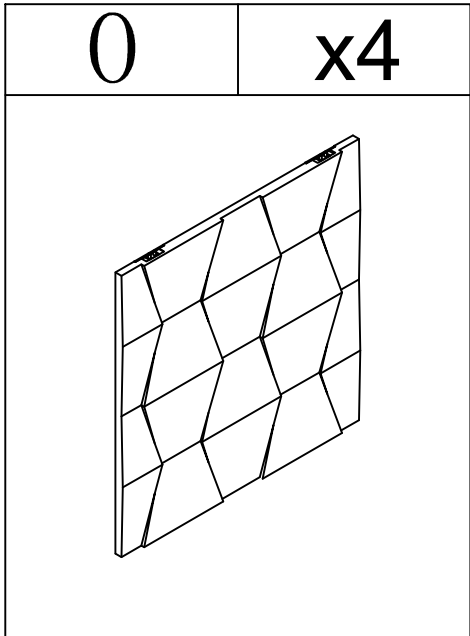
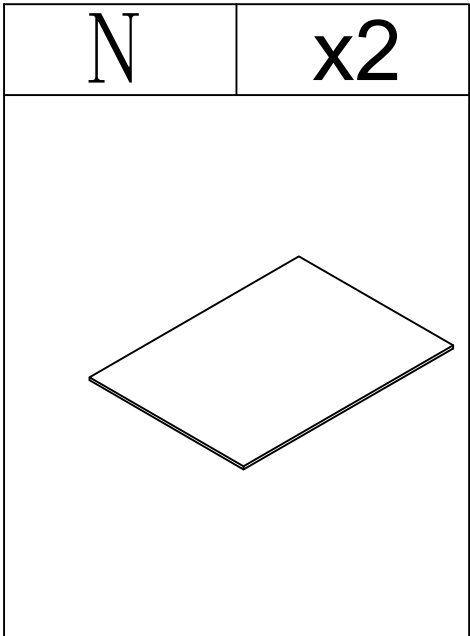
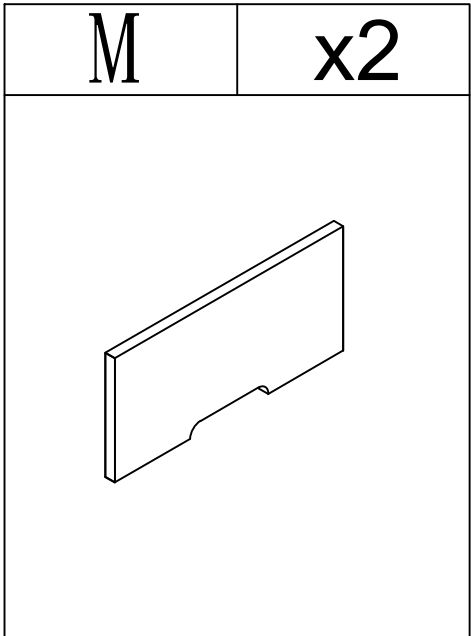
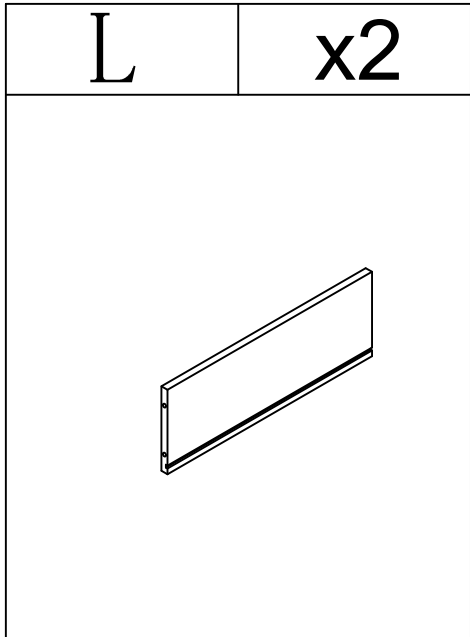
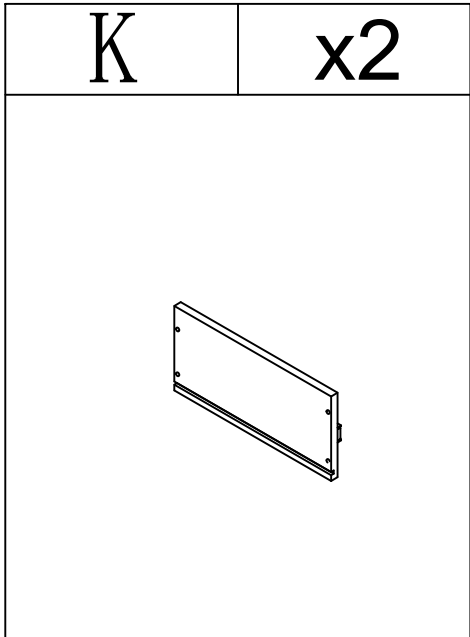
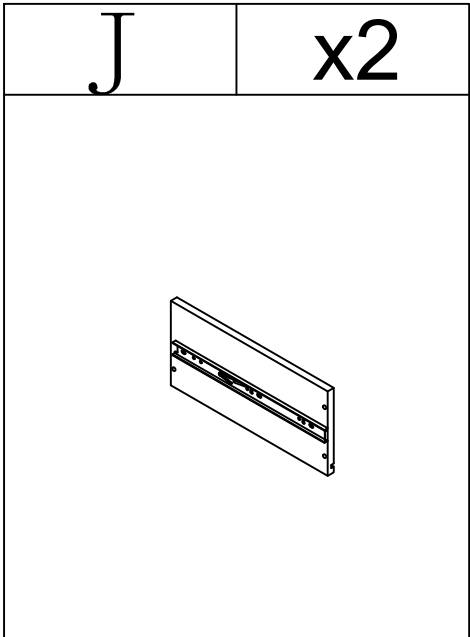
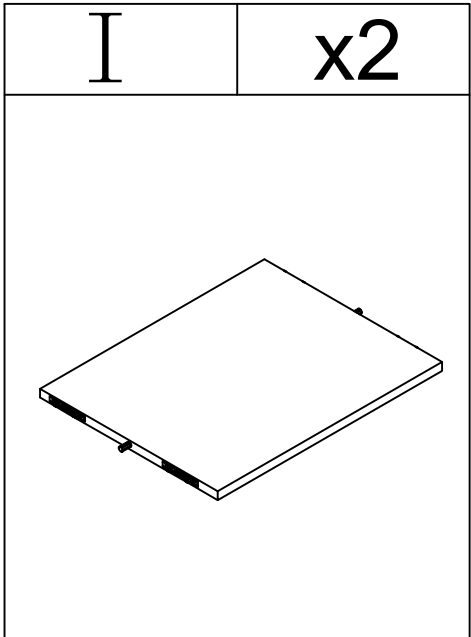
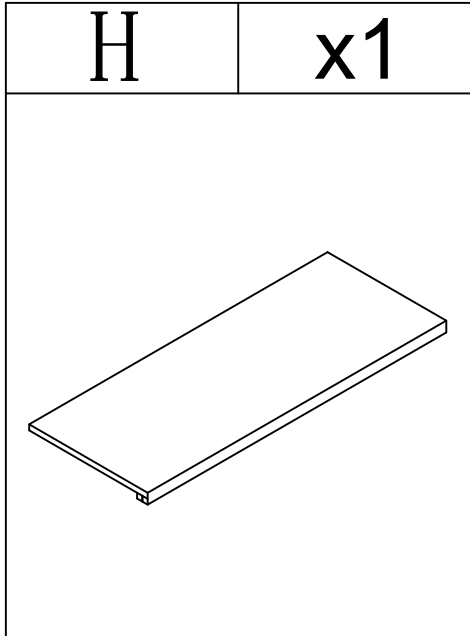
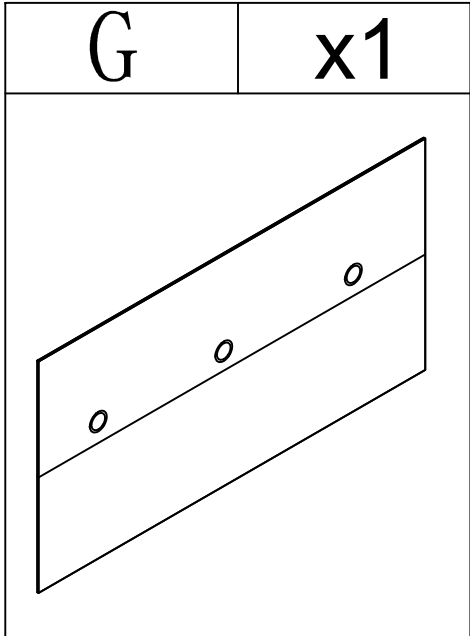
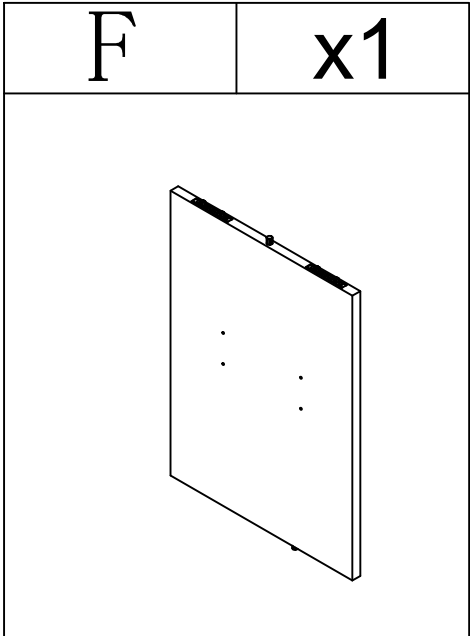
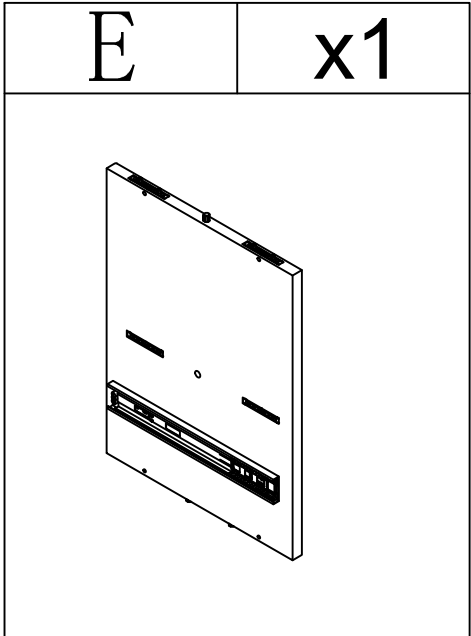
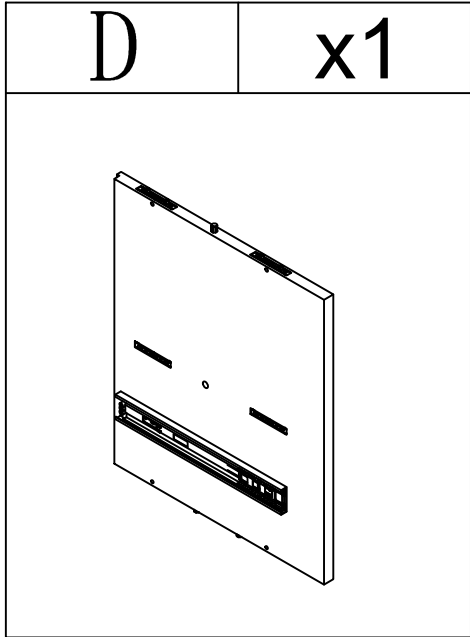
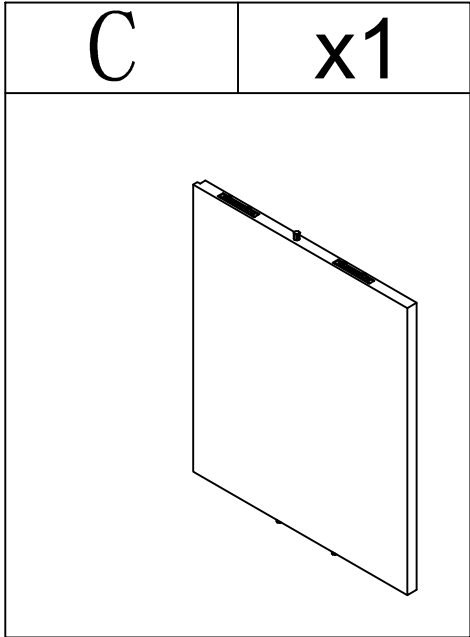
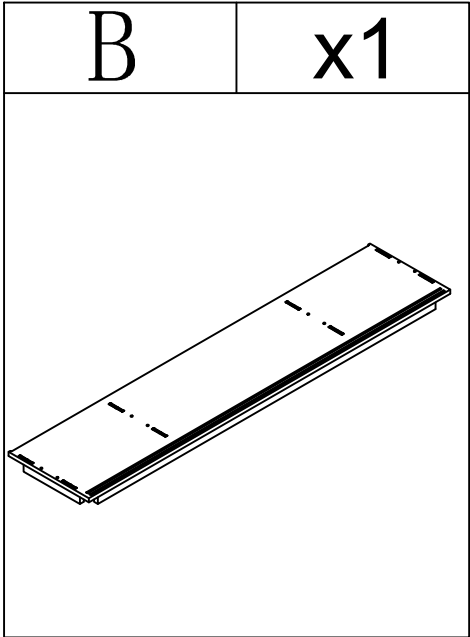
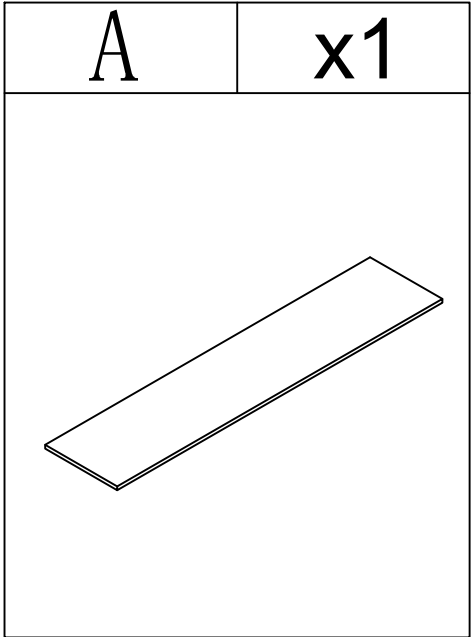
- 1.Keep furniture away from heat sources.
- 2.Do not clean furniture with harsh cleaner or polishes.Do not use detergents,solvents,abrasives,spray packs or leather cleaner. Use non-color mild soa with warm water to clean spills(Mix 1:10 soap to water).
- 3.Do not place furniture under direct sunlight,material will possibly fade over time.
- 4.Do not use on site dry cleaning machine.Children should not climb or jump on the furniture.
- 5.Do not write on furniture that is not protectedby a padded barrier.
- 6.Not for commercial use,only for residential use.



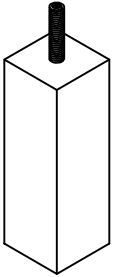
EXPLOSIVE VIEW



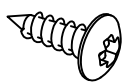

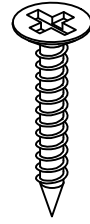
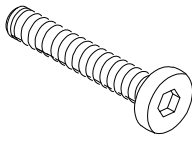
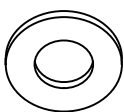

PARTS LIST

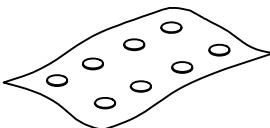


PARTS LIST

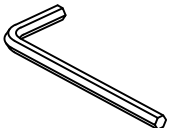
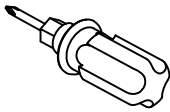
Q	x1
	

HARDWARE LIST

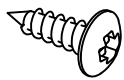
#1	x32	#2	x4	#3	x16	#4	x8	#5	x8	#6	x8
											
Ø3.5*14mm				Ø3.5*25mm		Ø1/4"*1-3/4"		Ø1/4"		Ø1/4"	

#9	x2
	

TOOL LIST

#7	x1	#8	x1
			

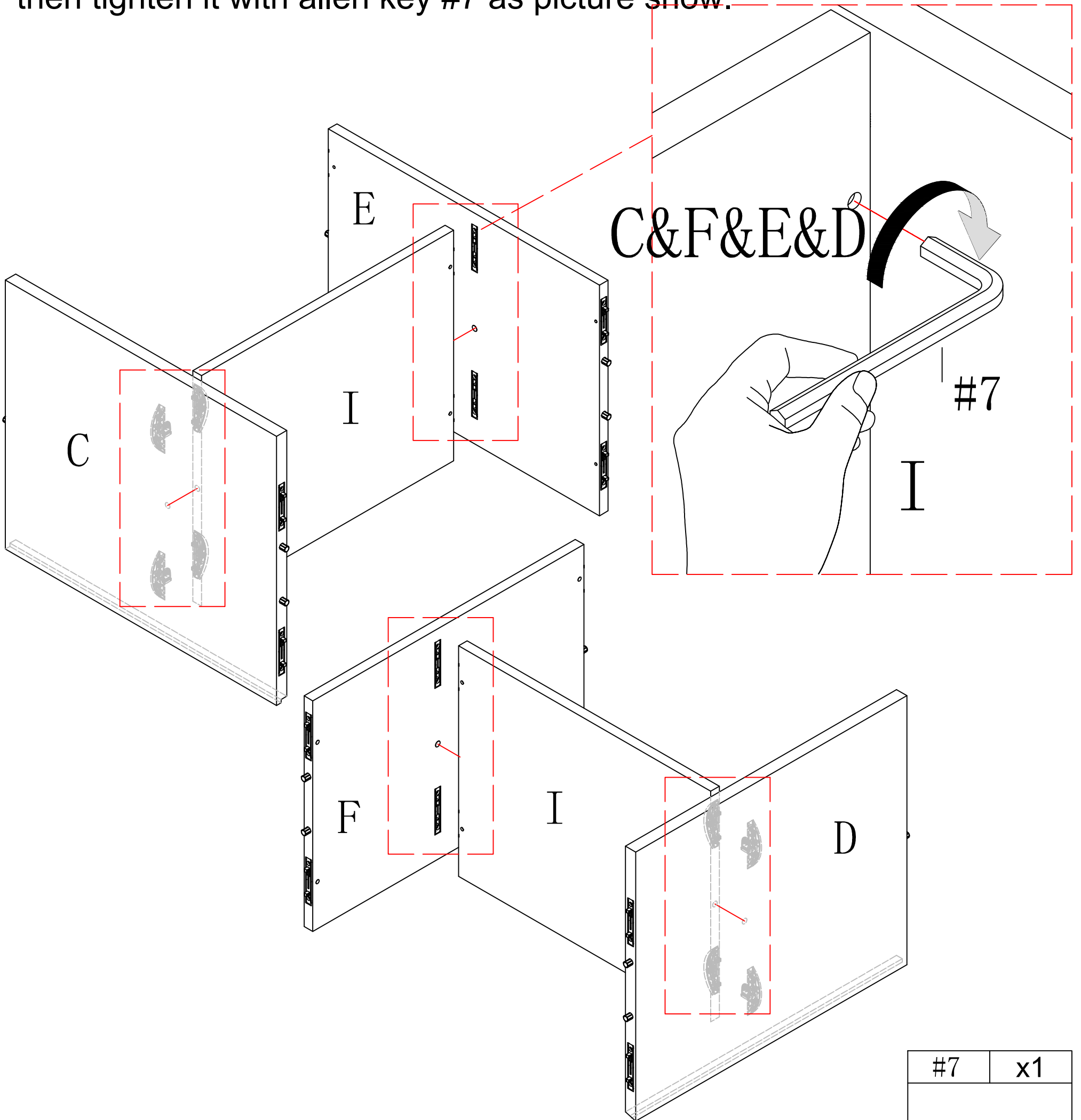
HARDWARE SPARE LIST

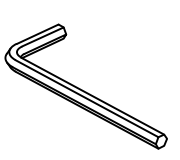
#1	x3
	
Ø3.5*14mm	

ASSEMBLY INSTRUCTIONS

STEP-1

1. Insert board (I) into panel (C&E), make sure all holes aligned and then tighten it with allen key #7 as picture show.
2. Insert board (I) into panel (F&D), make sure all holes aligned and then tighten it with allen key #7 as picture show.

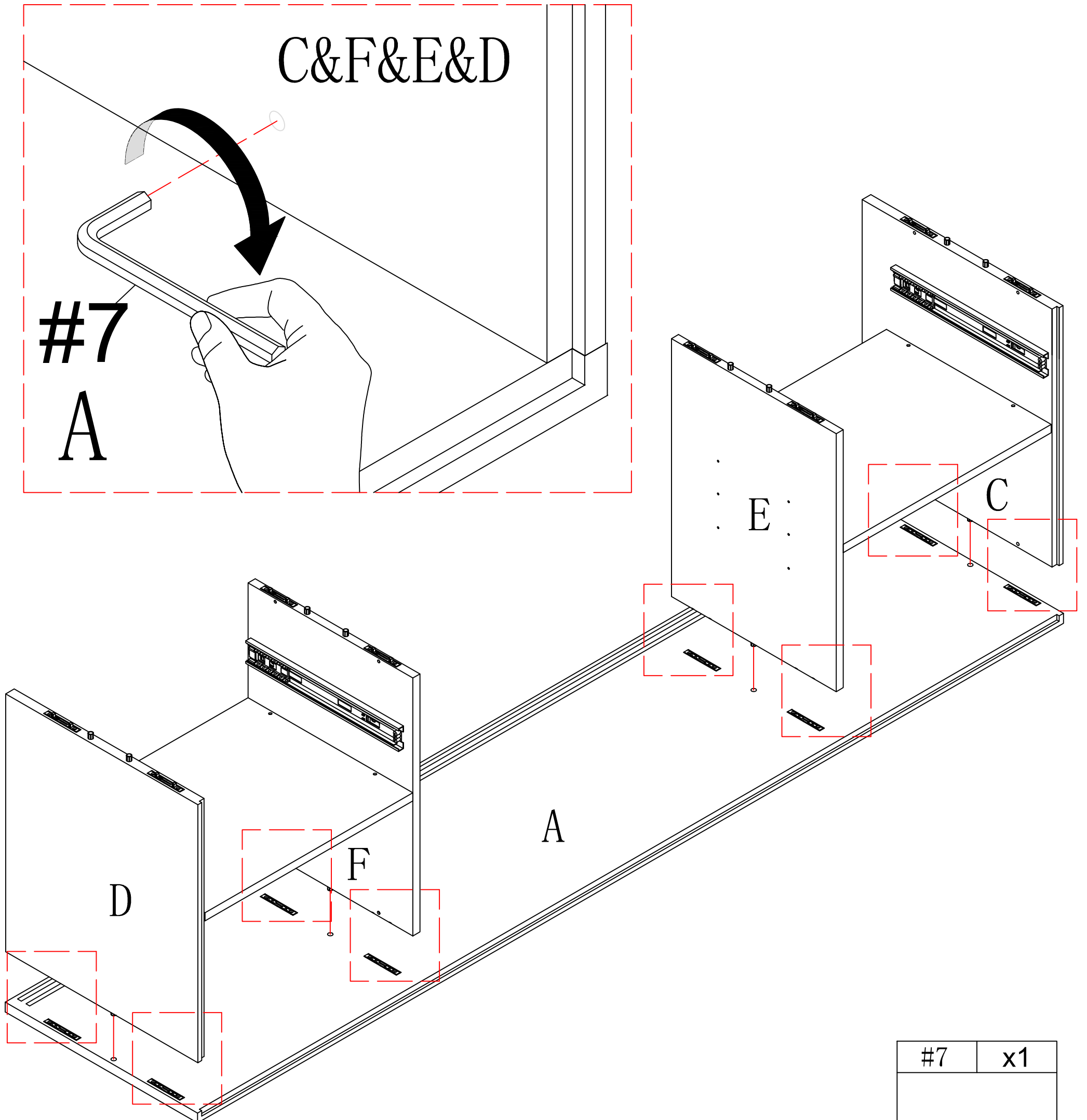


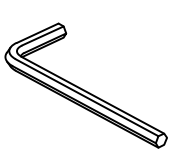
#7	x1
	

ASSEMBLY INSTRUCTIONS

STEP-2

1. Insert board (D&F&E&C) into panel (A), make sure all holes aligned and then tighten it with allen key #7 as picture show.

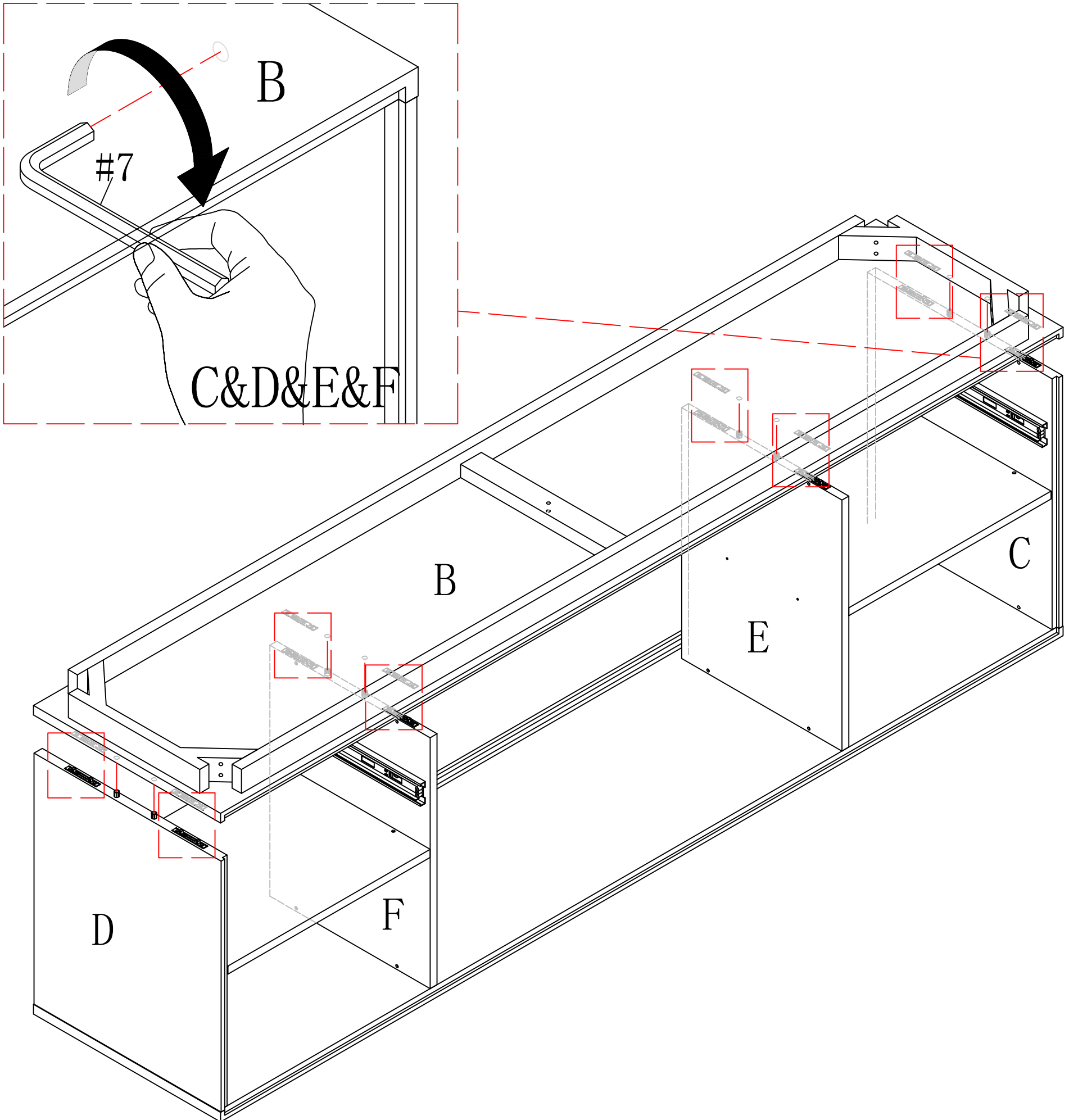


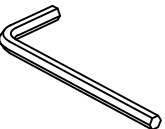
#7	x1
	

ASSEMBLY INSTRUCTIONS

STEP-3

1. Insert bottom panel (B) into the corresponding hole of preassembled step 2, make sure all holes aligned and use allen key #7 to tighten it as picture show.

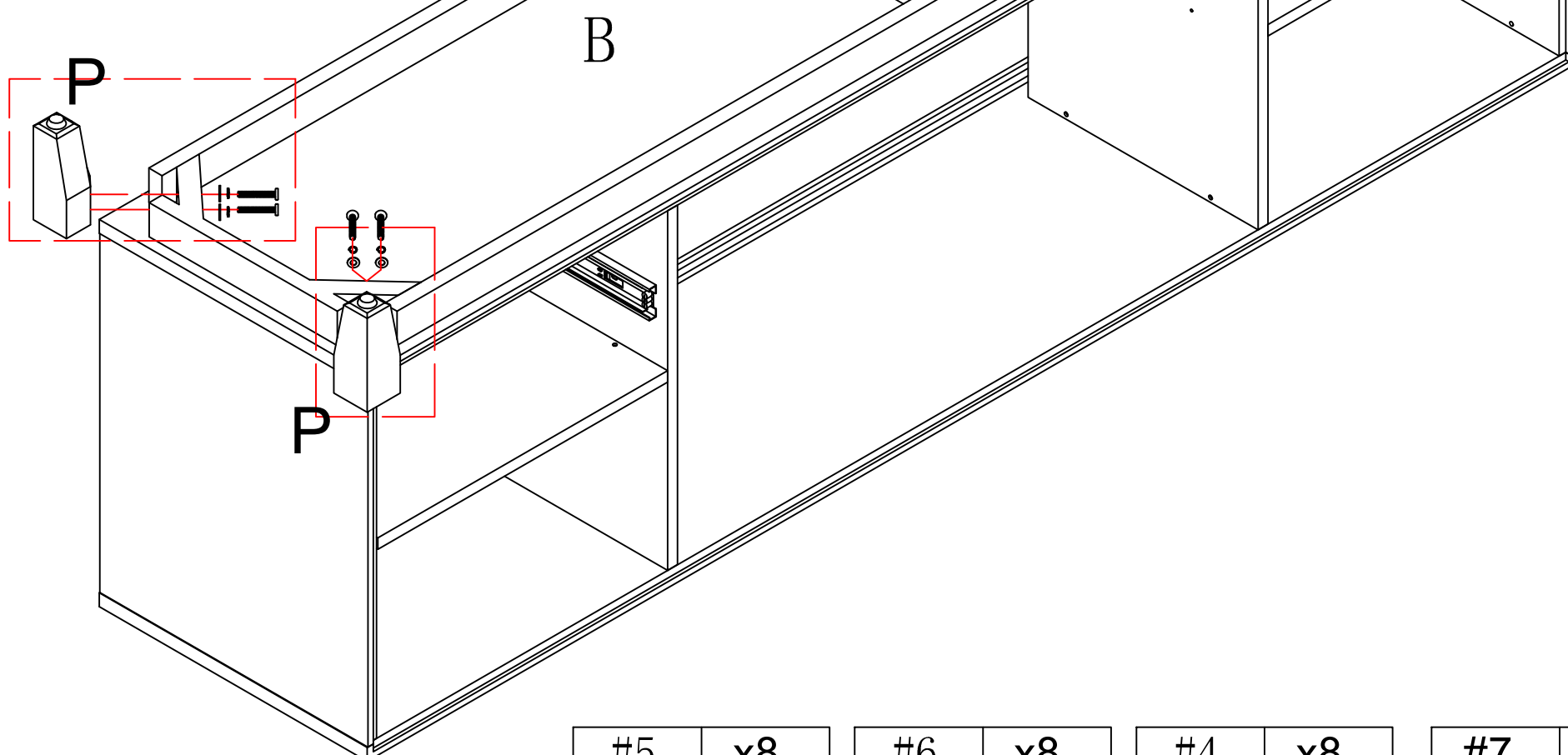
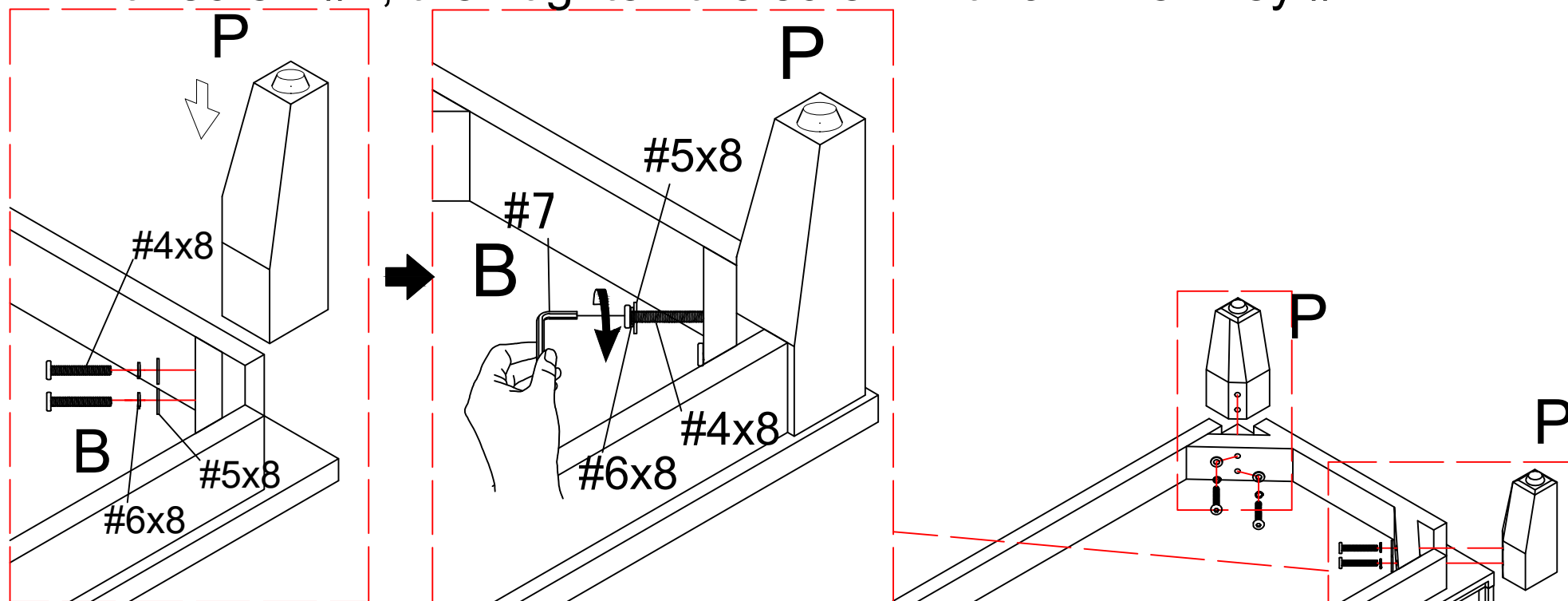


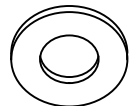

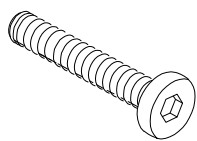
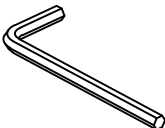
#7	x1
	

ASSEMBLY INSTRUCTIONS

STEP-4

1. Insert gasket #6 and #5 in sequence into screw #4, install leg (P) on of bottom panel (B), ensure the corresponding holes are aligned and fix with screw #4, then tighten the screw with an Allen key #7.

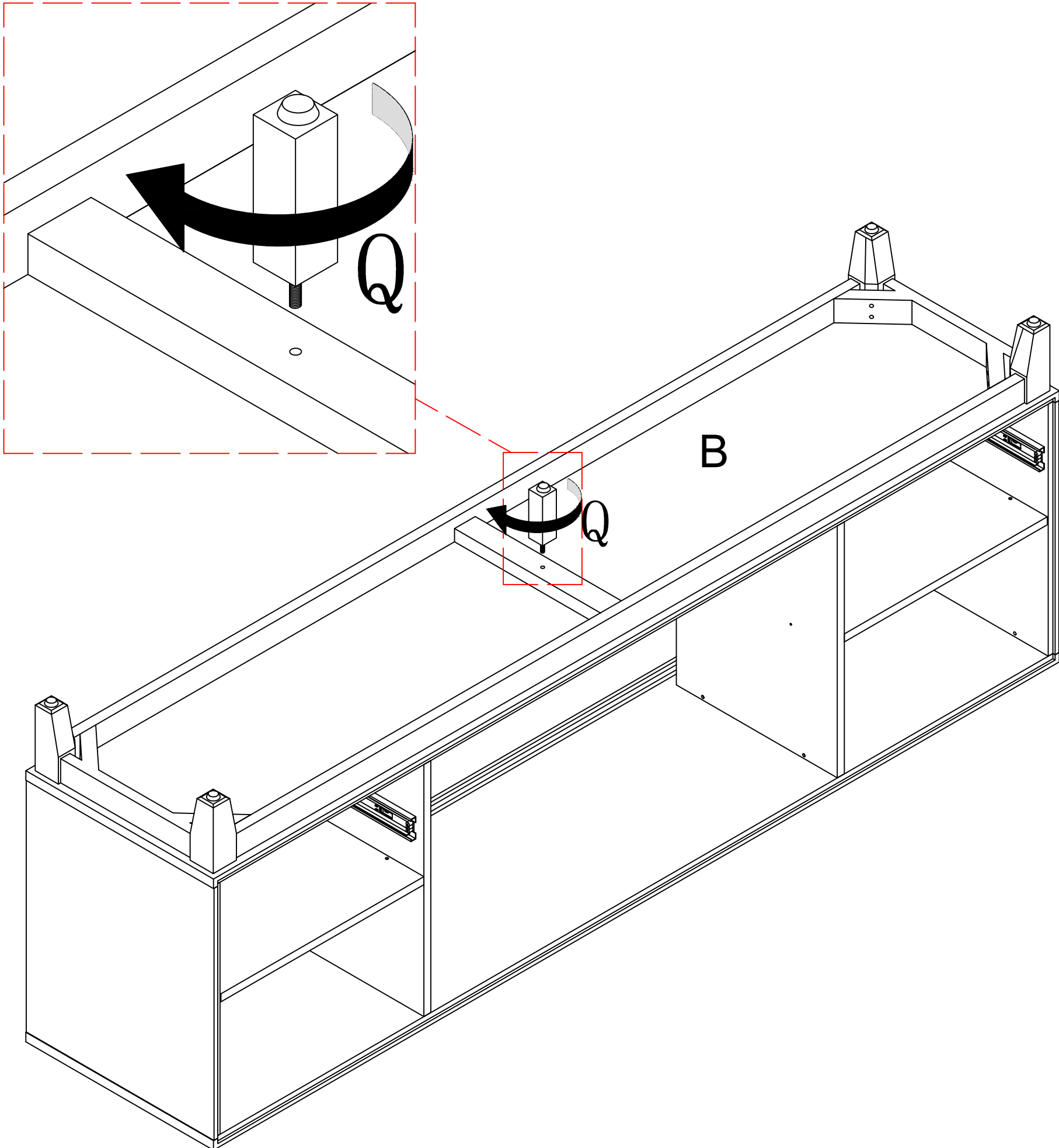


#5	x8	#6	x8	#4	x8	#7	x1
							
Ø1/4"		Ø1/4"		Ø1/4"*1-3/4"			

ASSEMBLY INSTRUCTIONS

STEP-5

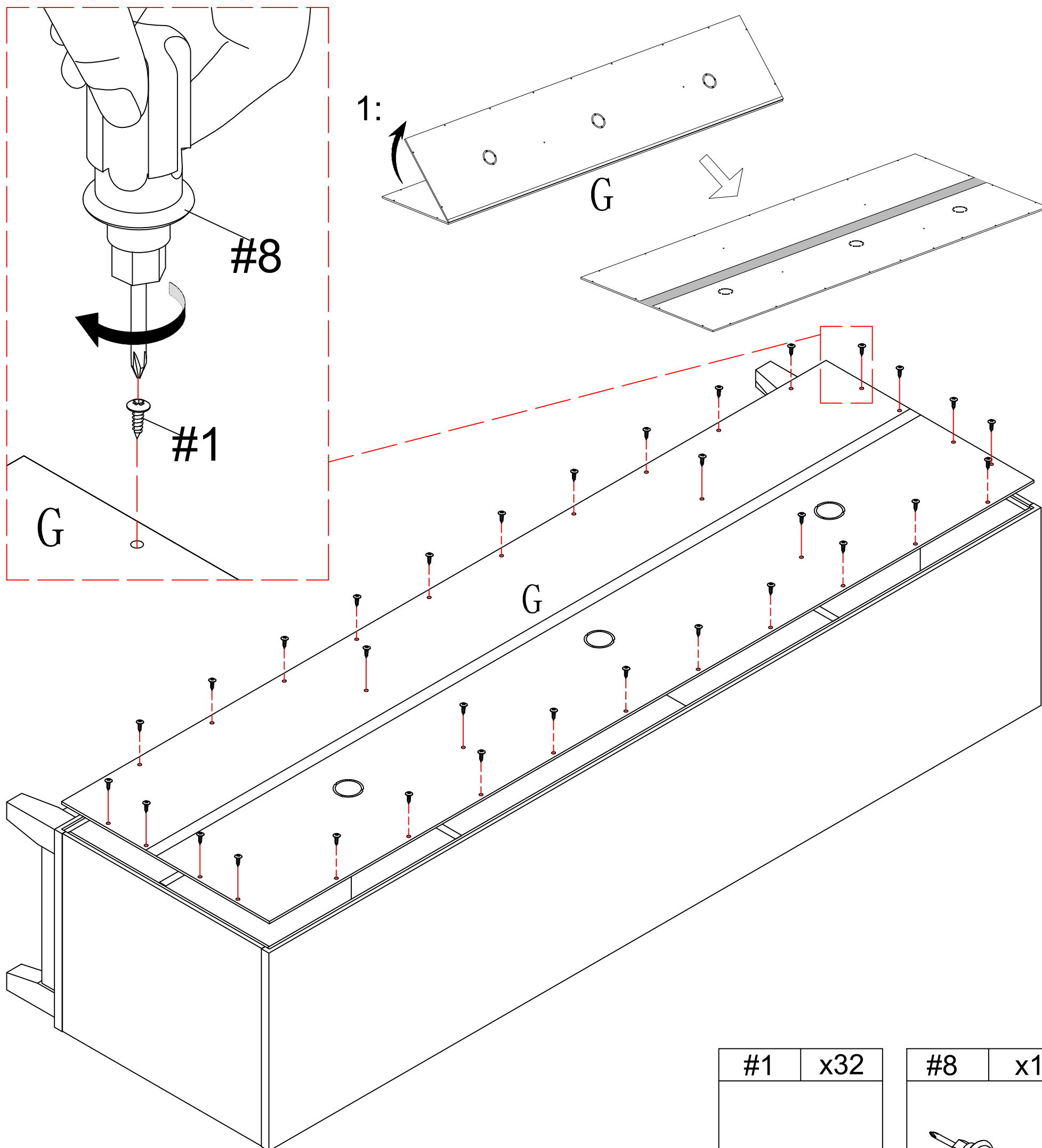
1. Install the mid-foot to base plate B.

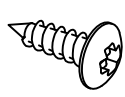


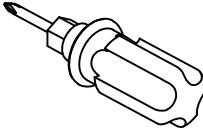
ASSEMBLY INSTRUCTIONS

STEP-6

1. Open the back panel (G), insert back panel (G) into the groove of preassembled step 5, make sure all holes aligned and use screw #1 to attach them, tighten screw #1 with screwdriver #8.

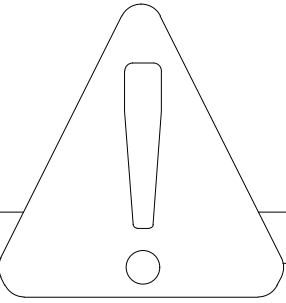


#1	x32
	
Ø3.5*14mm	

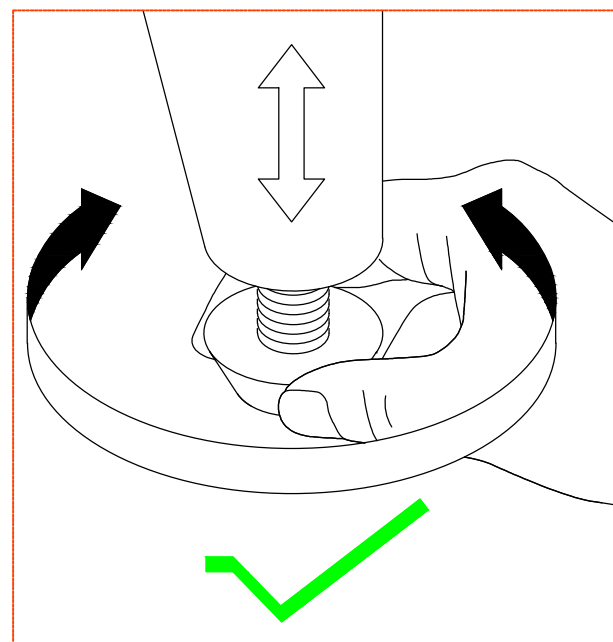
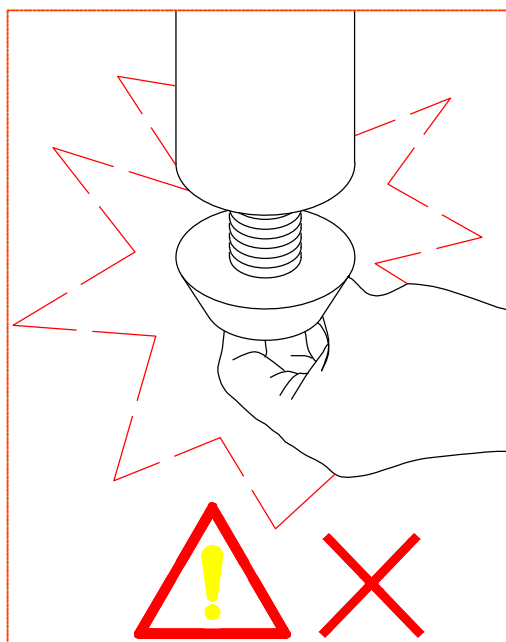
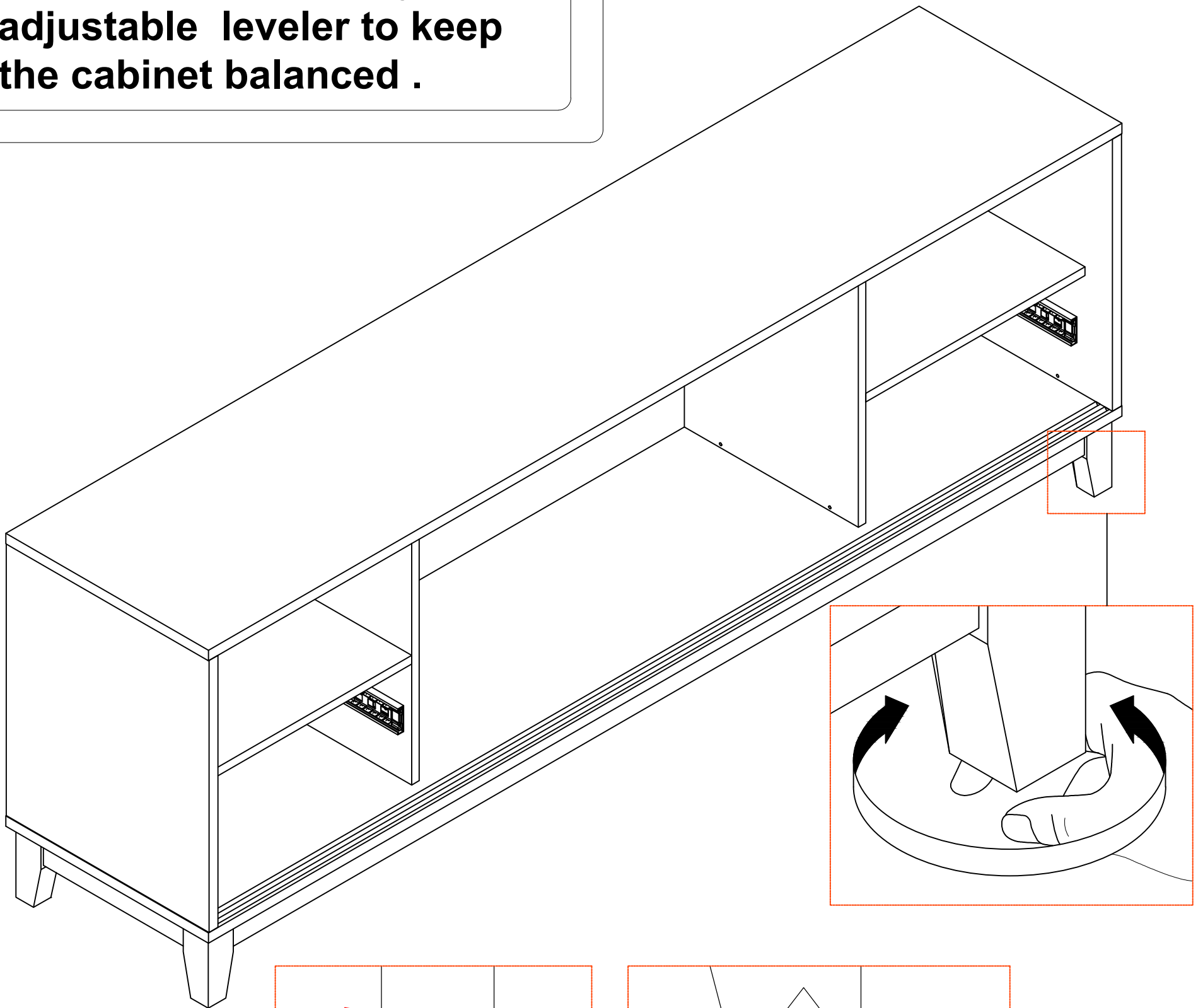
#8	x1
	

ASSEMBLY INSTRUCTIONS

STEP-7



Attention:
After installation, adjust the adjustable leveler to keep the cabinet balanced .

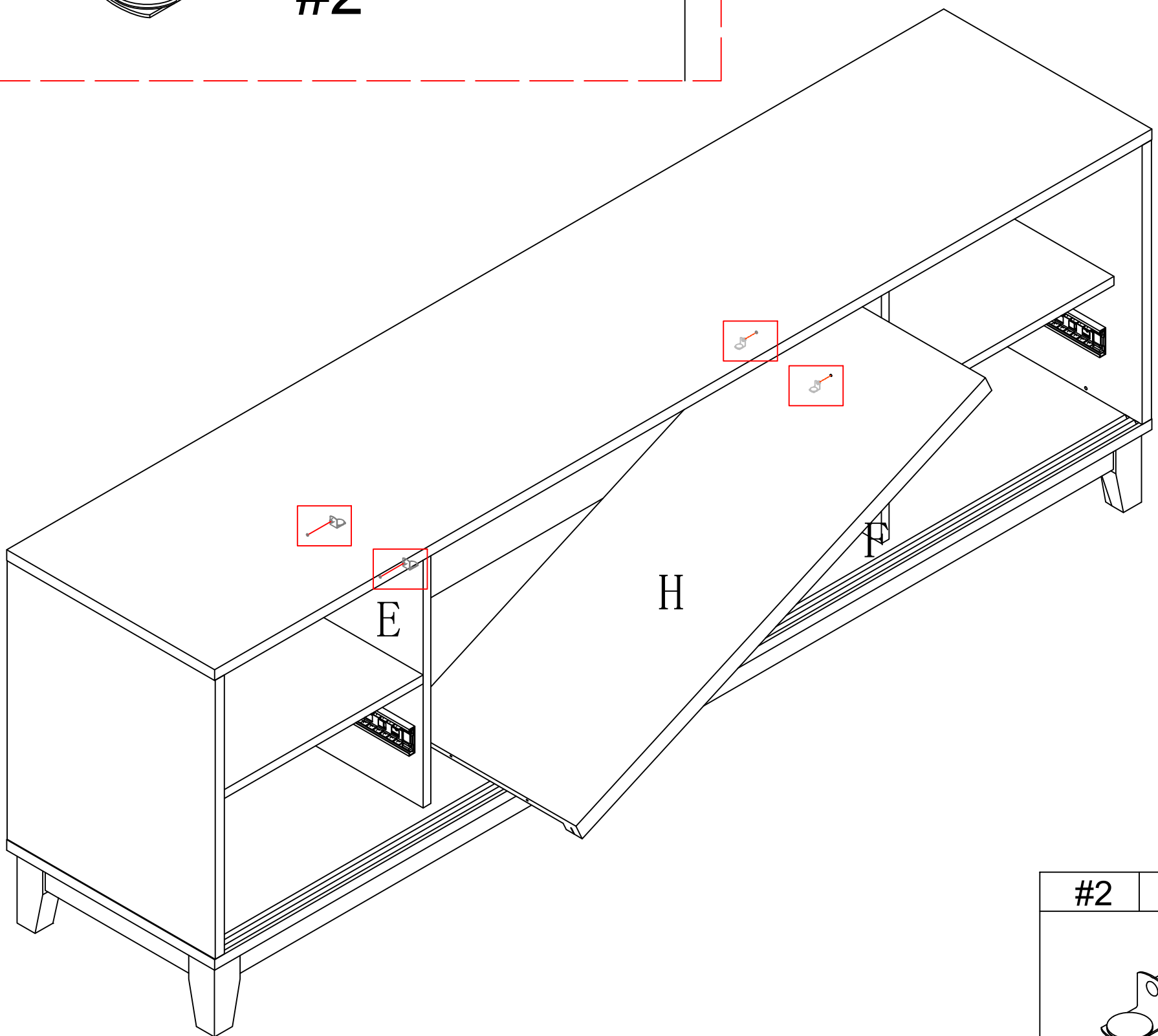
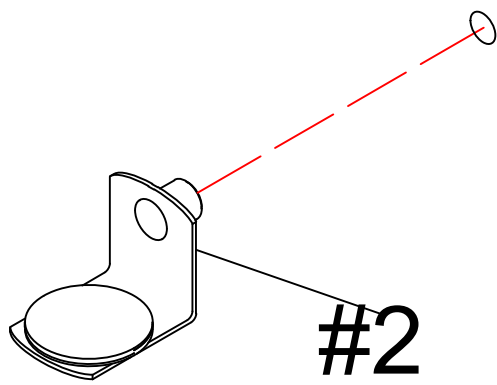


ASSEMBLY INSTRUCTIONS

STEP-8

1. Insert shelf holder #2 into the corresponding hole of panel (E)&(F) and then attach panel (H) to it.

Shelf holder can be adjusted up or down

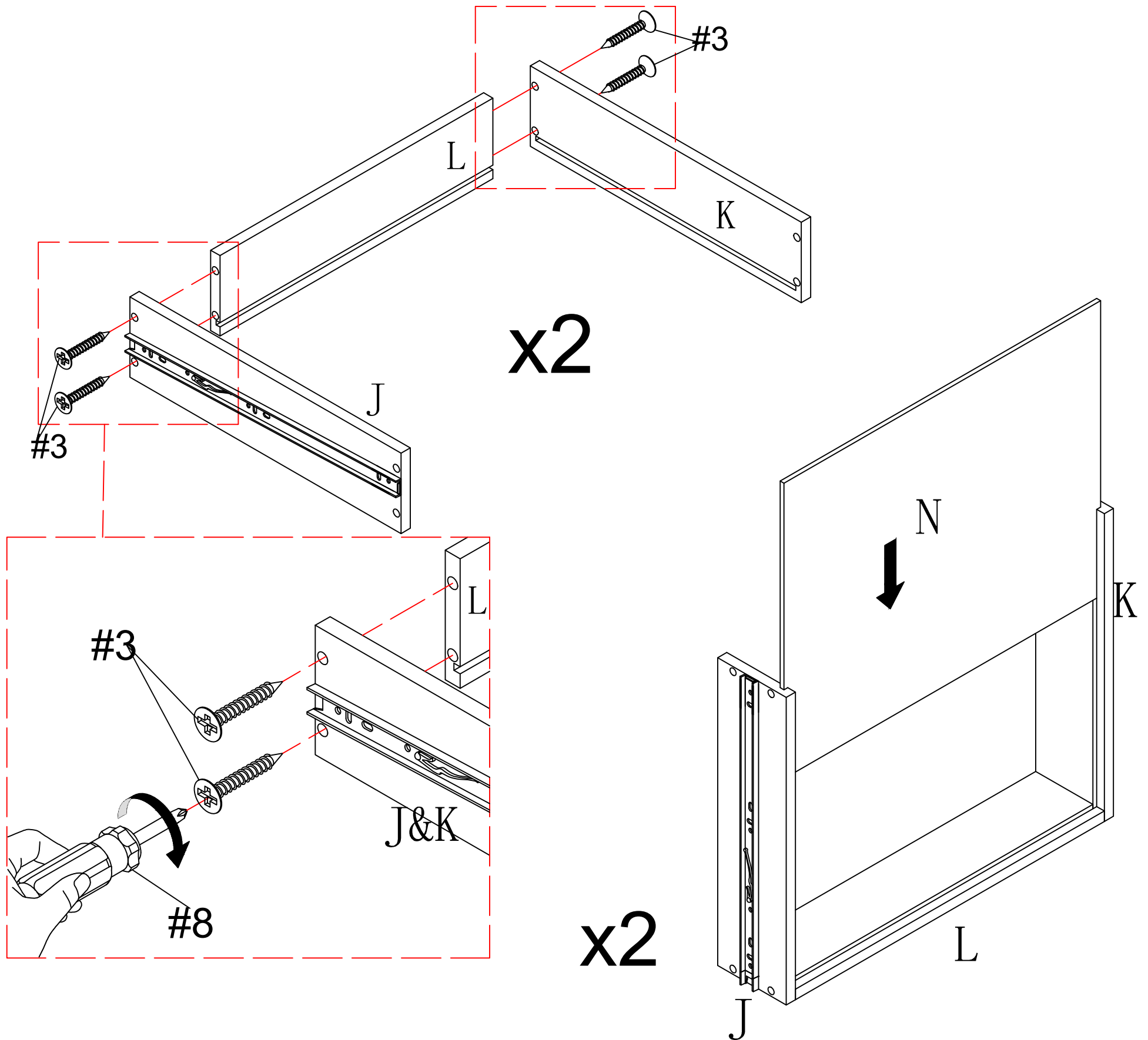


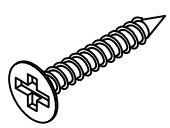
#2	x4

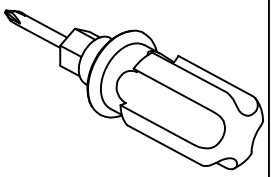
ASSEMBLY INSTRUCTIONS

STEP-9

1. Connect part (J&K) to part L using screw #3 and tighten it with screwdriver #8. slide in the part (N) into the groove in part (J&K). make sure they are also in groove in part (L).



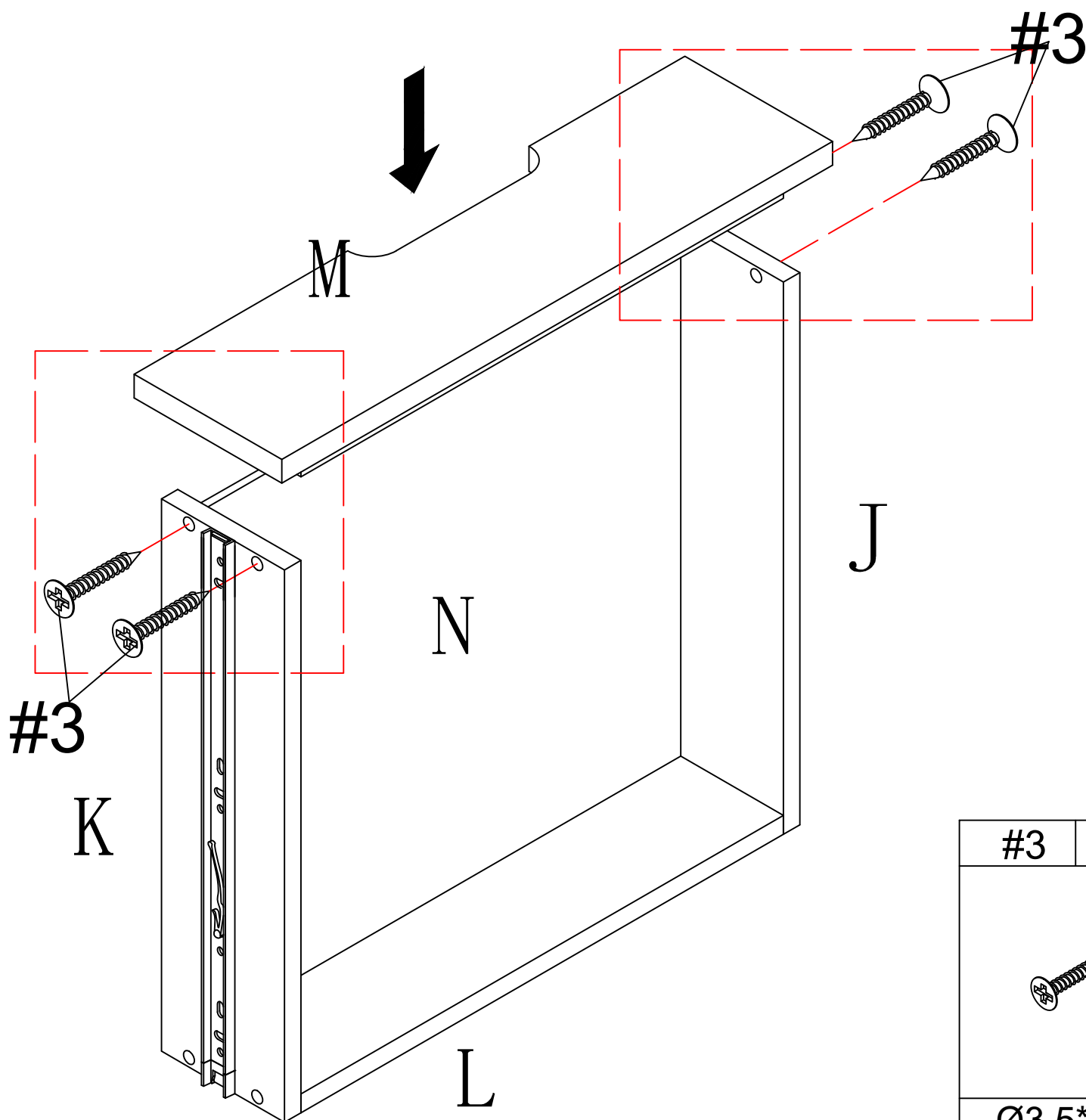
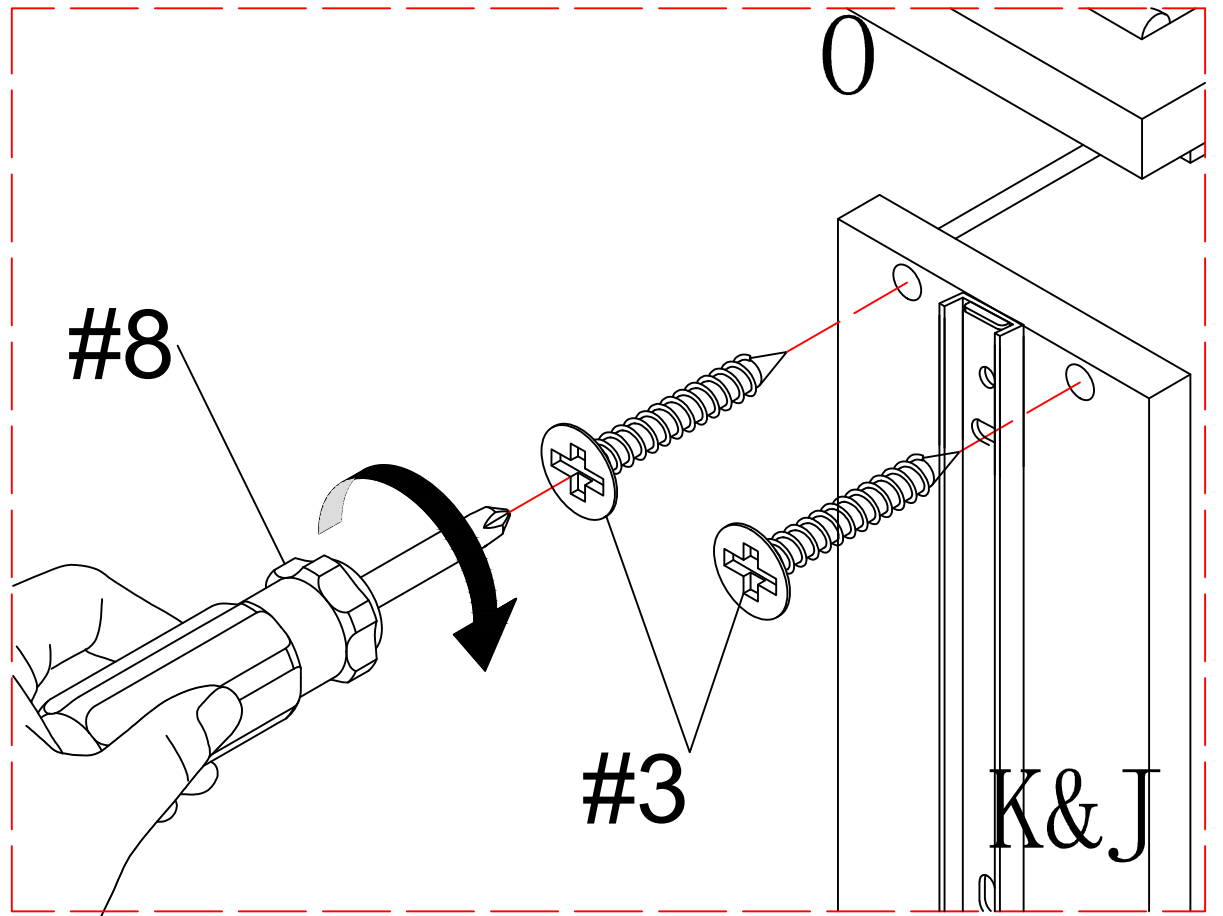
#3	x8
	
Ø3.5*25mm	

#8	x1
	

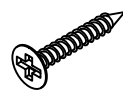
ASSEMBLY INSTRUCTIONS

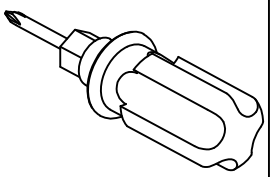
STEP-10

1. Connect the (M) and (K&J) using screw #3 , and tighten it with screwdriver #8.



x2

#3	x8
	
Ø3.5*25mm	

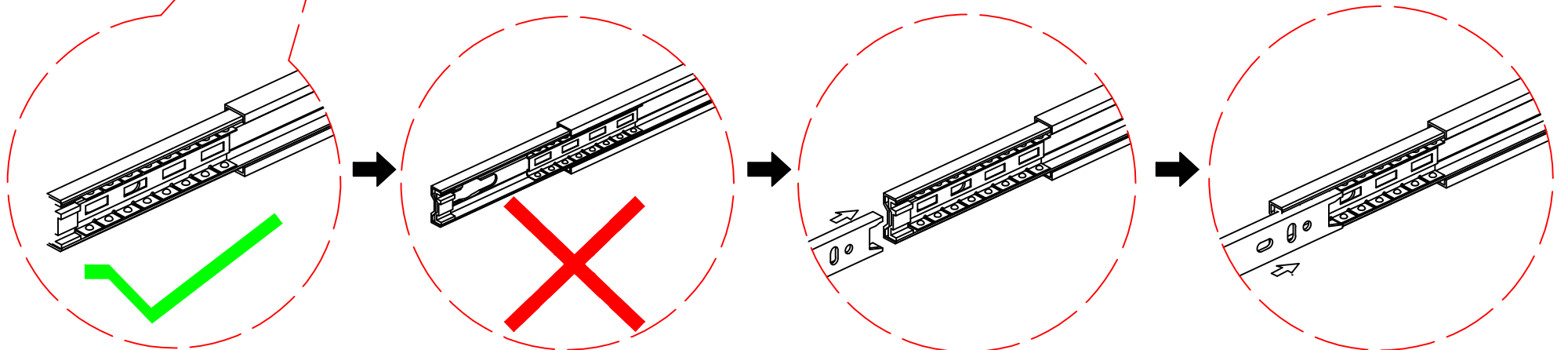
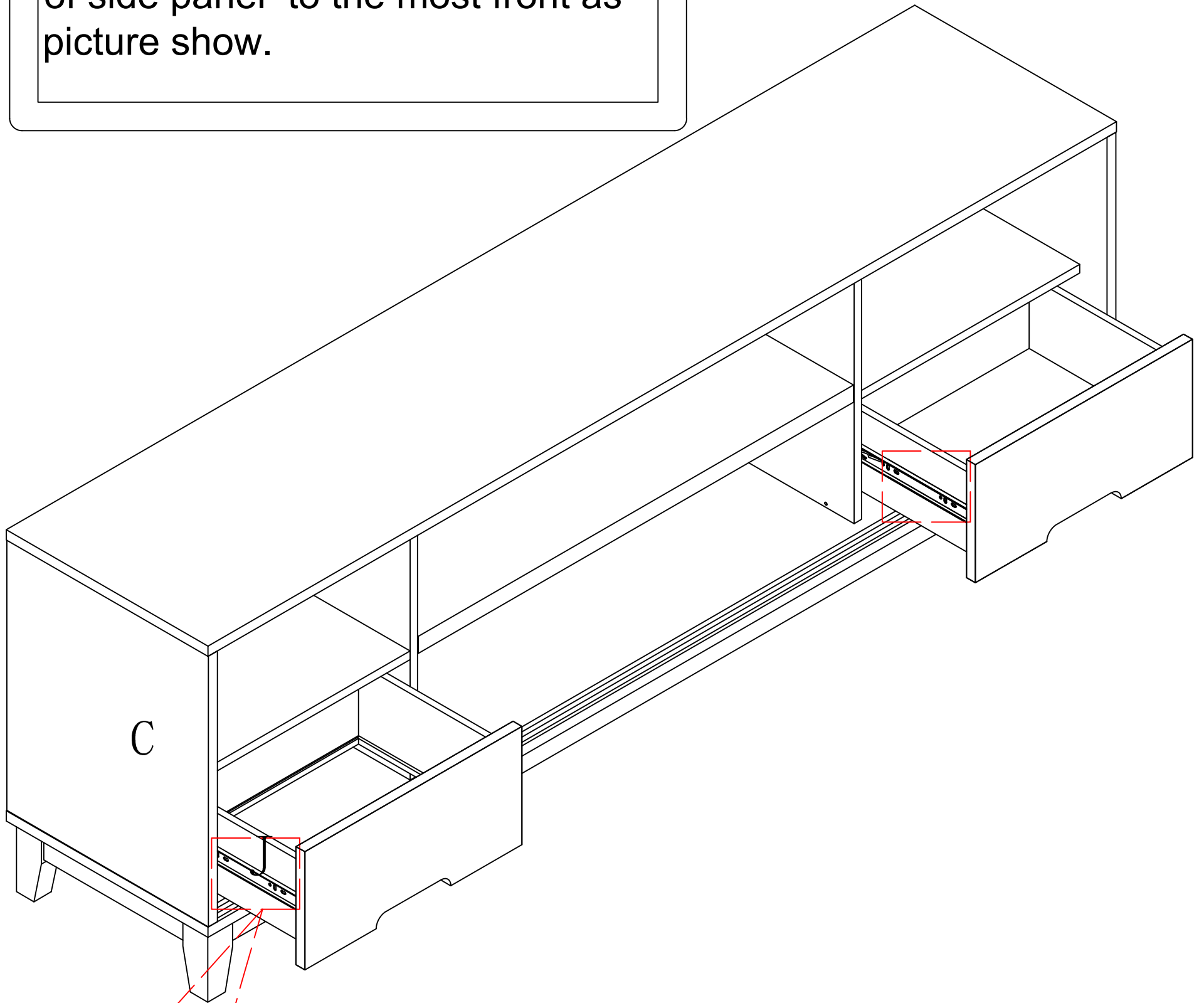
#8	x1
	

ASSEMBLY INSTRUCTIONS

STEP-11



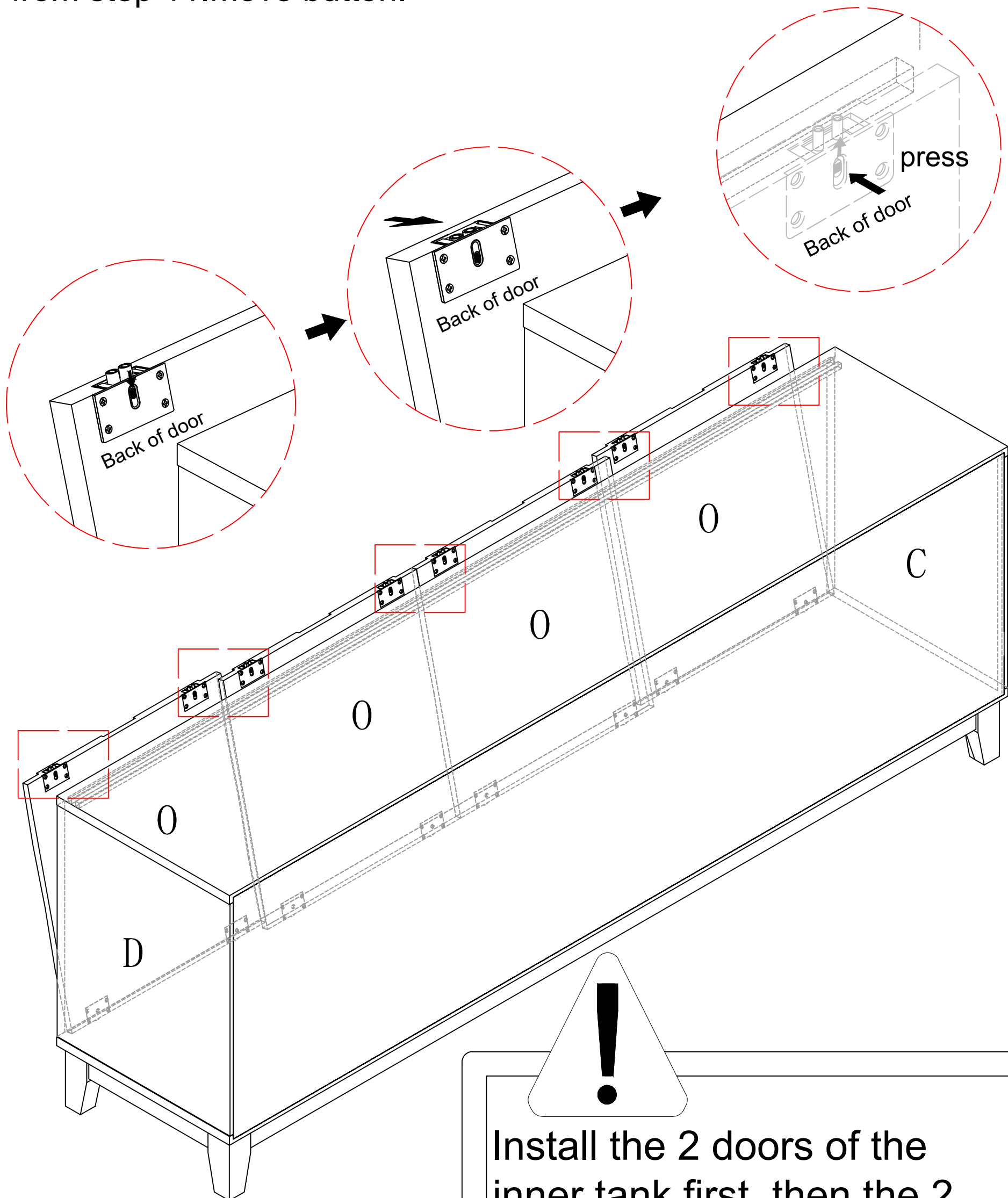
Attention: When installing the drawer, slide the steel ball slide rail of side panel to the most front as picture show.



ASSEMBLY INSTRUCTIONS

STEP-12

picture show. Install the door panel to the pre-assembled unit from step 11. move button.

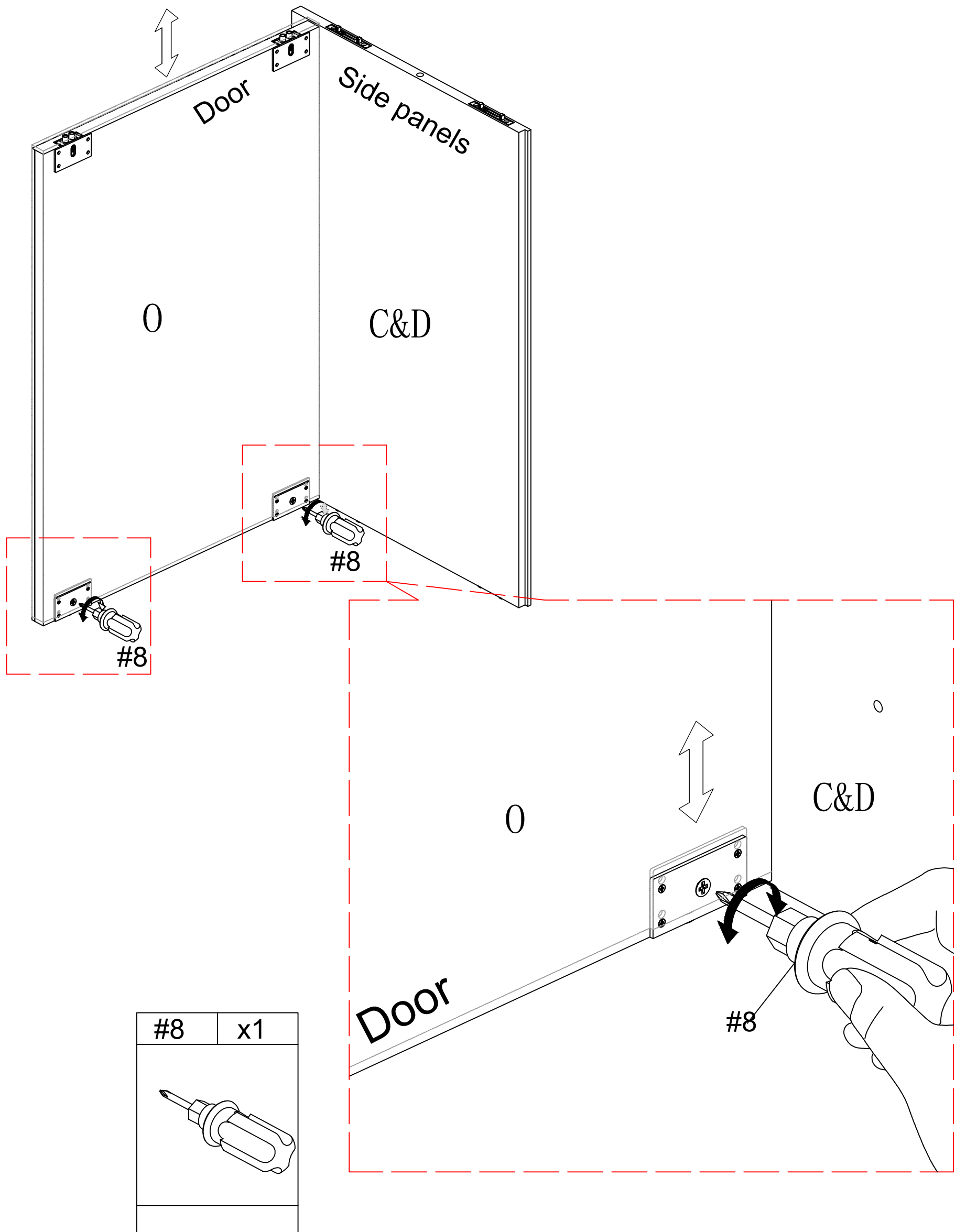


!
Install the 2 doors of the inner tank first, then the 2 doors of the outer tank.

ASSEMBLY INSTRUCTIONS

STEP-13

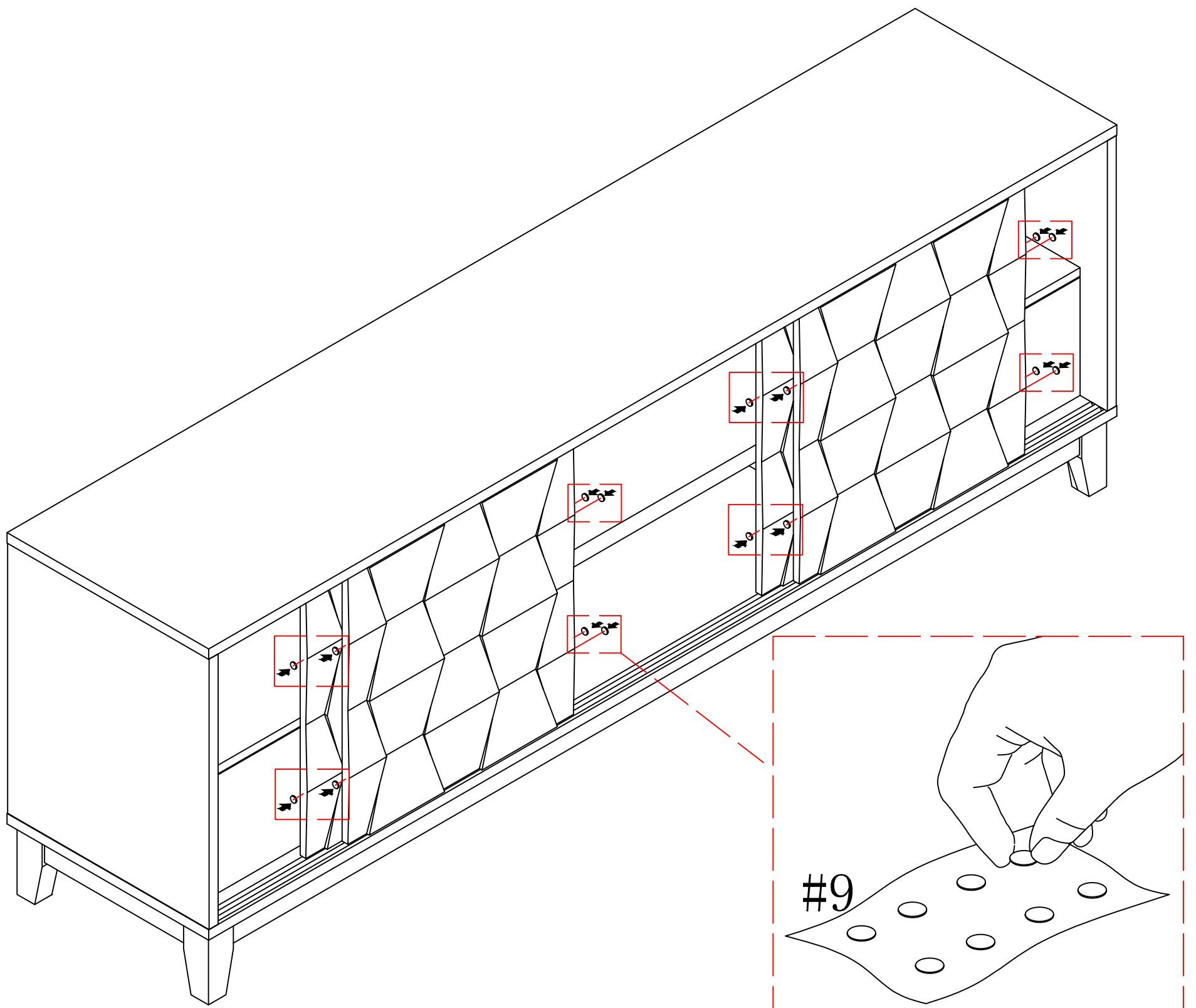
Sliding door wheel adjustment diagram



ASSEMBLY INSTRUCTIONS

STEP-14

Attach the anti-collision pad #9 to the door panel.



#9	x2

WARRANTY

1. We strive to offer high-quality products, and we also try our best to satisfy each and every customer that orders from us with product or service as needed.
2. We provide 30 days warranty starting from the time you receive the item. Each customer must provide a record of their order such as the order number, or item receipt for any items that are out of the warranty period you may also still receive.
3. Replacement parts by purchasing them with our company if they are available.