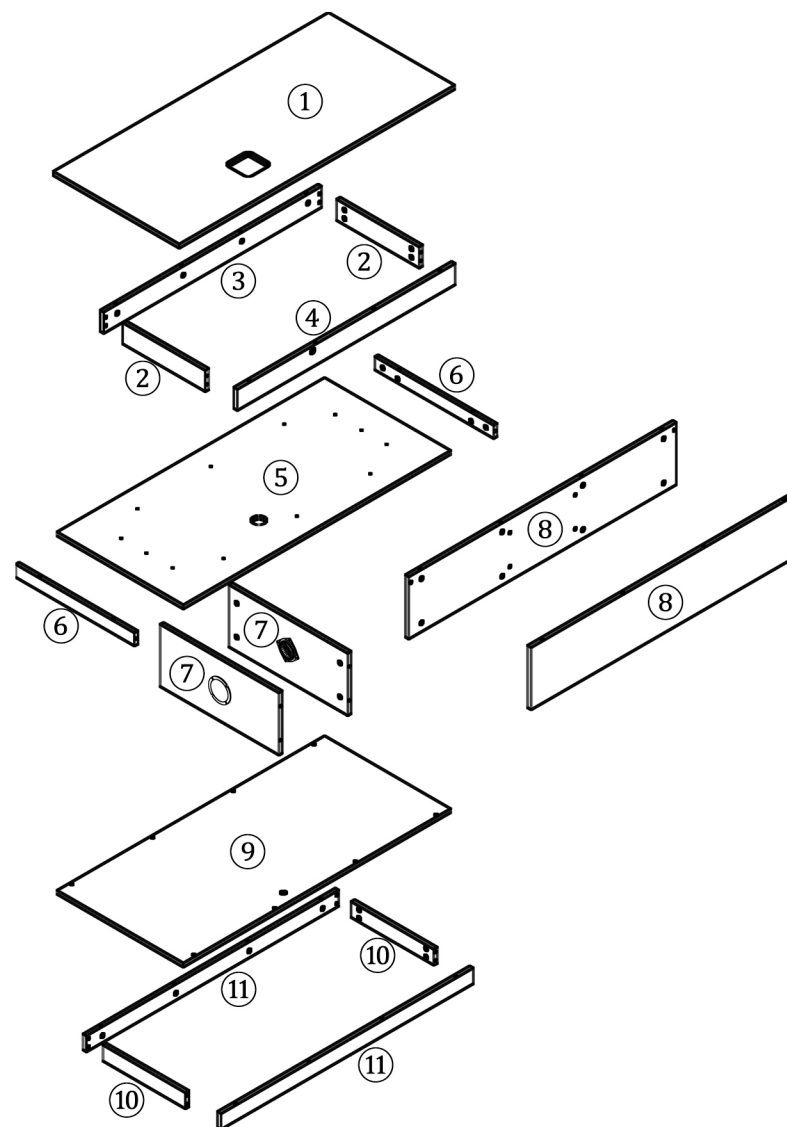
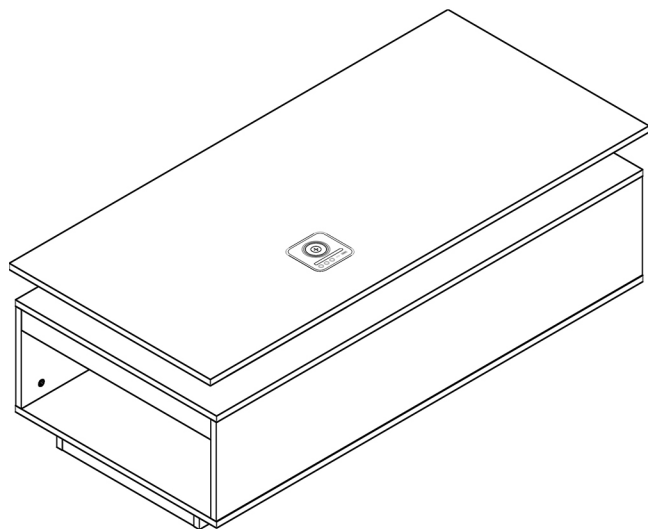


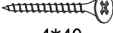



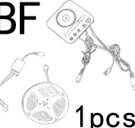

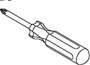


ASSEMBLY INSTRUCTION

- Please follow the instructions to assemble the items correctly.
- Please ensure the safety of the glass when assembling.
- Do not make the screws too loose or too tight.
- As shown in the figure, Insert the screw into the hole.
The arrow in the picture, Then rotate 90° or 180° clockwise.
- The accessory bag contains some small accessories, which should be kept away from children.
- The remaining parts are spare parts.
- Warm reminder white backboard please install the white side inward
- The operating instruction of RGB light is included in the package , please read it carefully when assembling

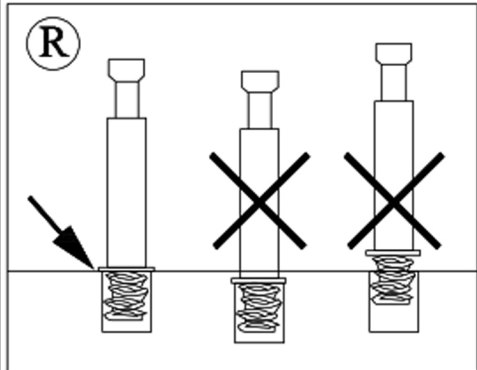
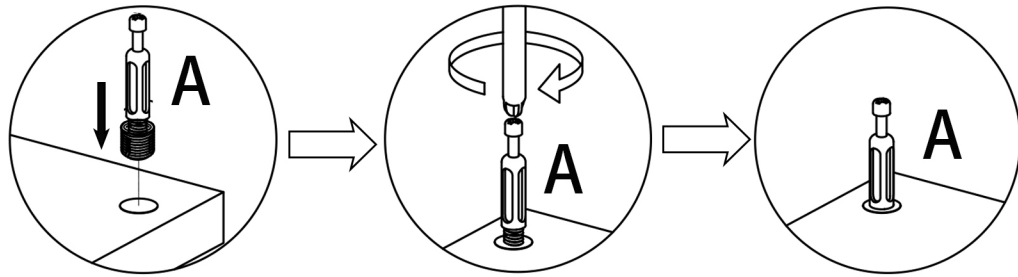


A  64pcs	B  64pcs	C3  4*40 10pcs	E  8*40 2pcs	AC  8pcs	AM  Decorative paper 20pcs	BF  1pcs
BC1  1pcs	AG  1pcs					



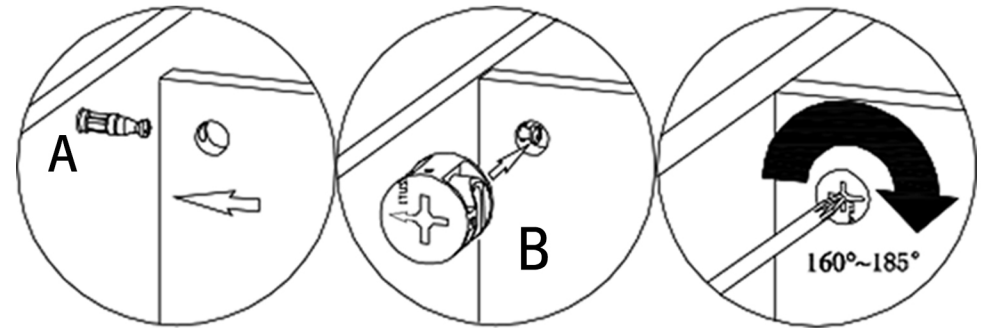
Hardware installation demonstration

- Please make sure "A" hardware tightened and can't be pulled out

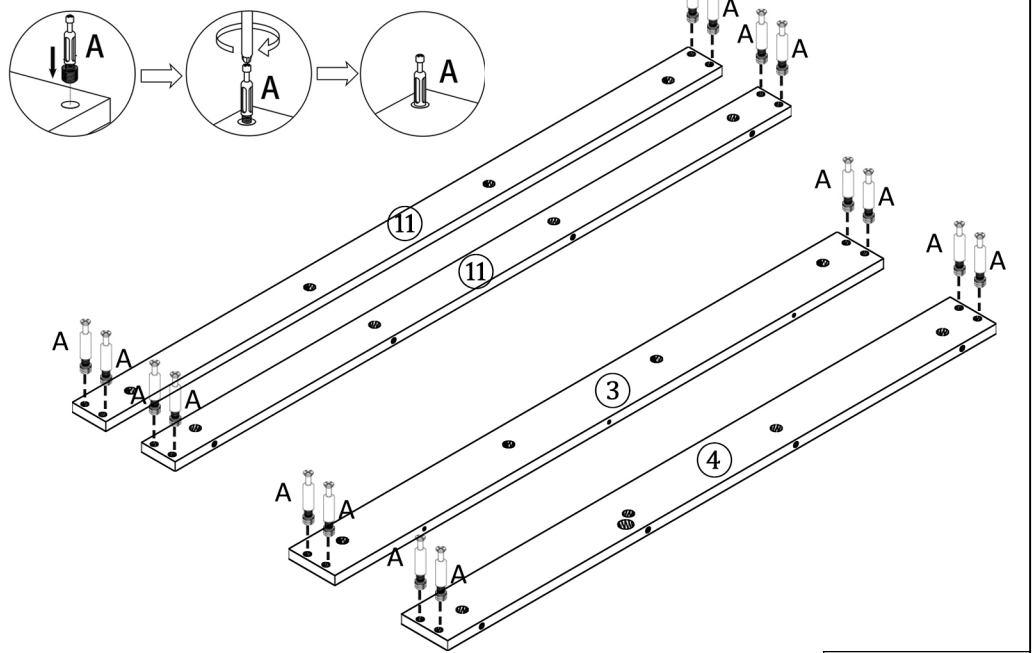


Hardware installation demonstration

- When inserting cam ensure arrowhead on cam points toward to the hole on the panel edge

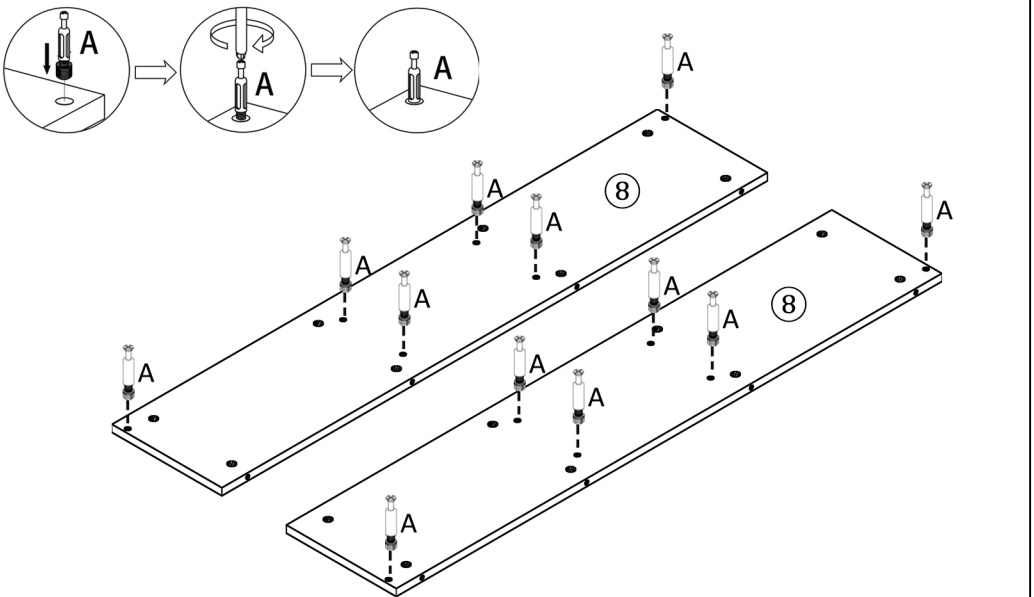



STEP 1



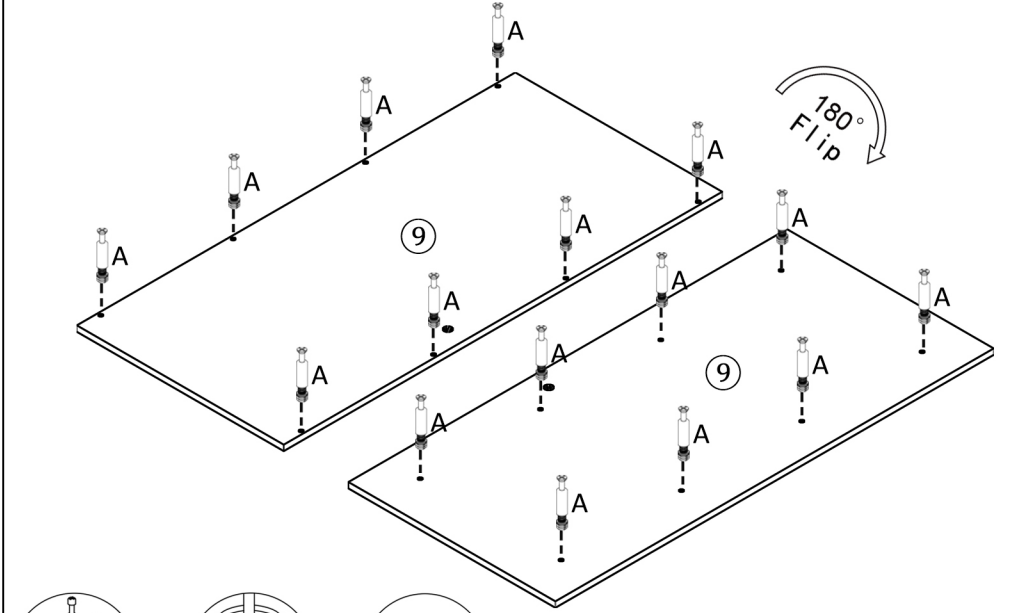
 A*16

STEP 2



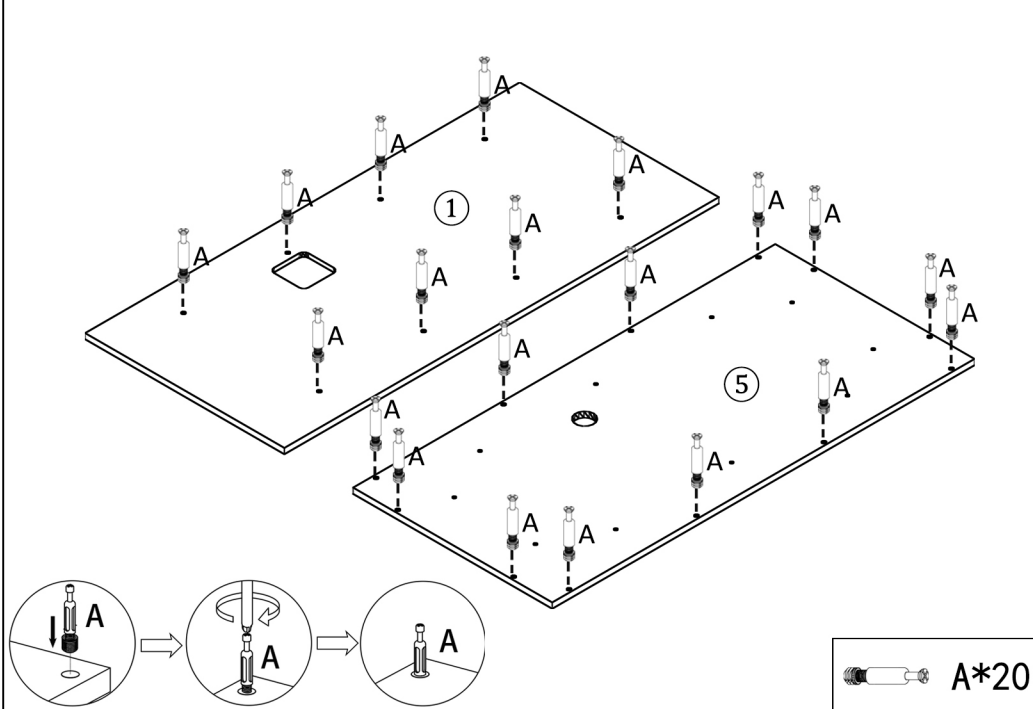
 A*12

STEP 3



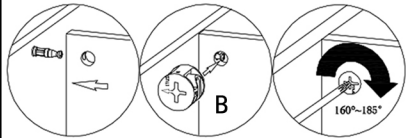
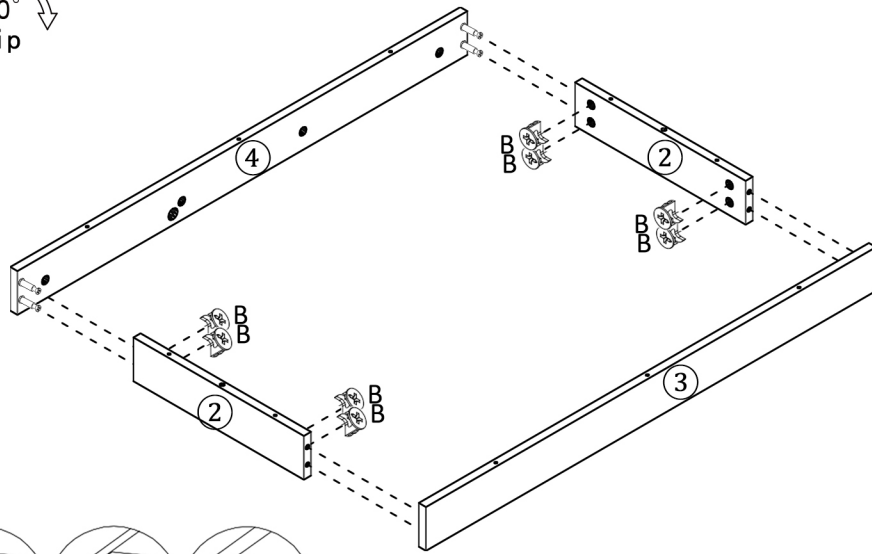
 A*16

STEP 4



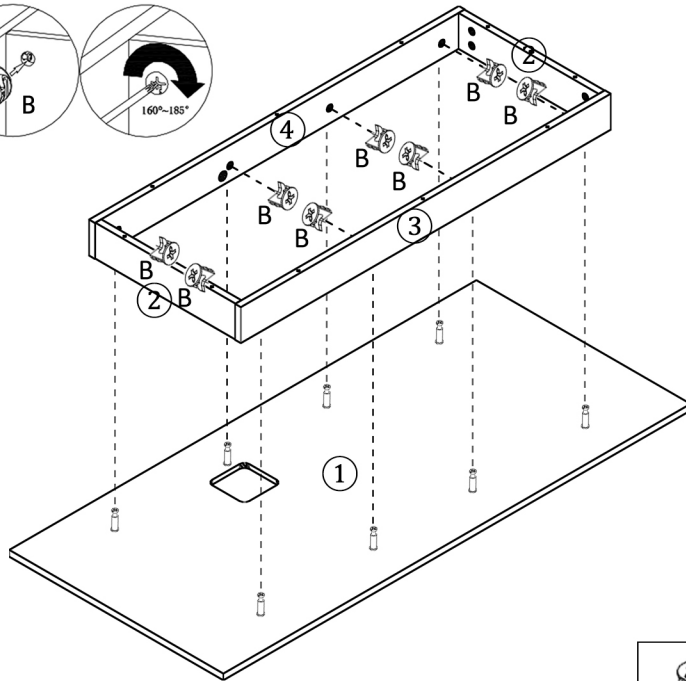
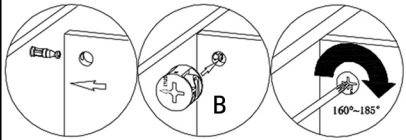
 A*20

STEP 5



 B*8

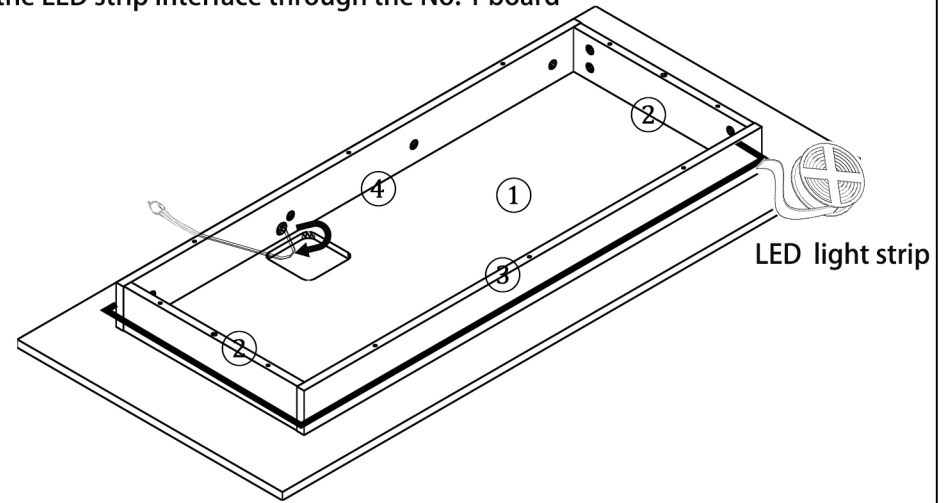
STEP 6



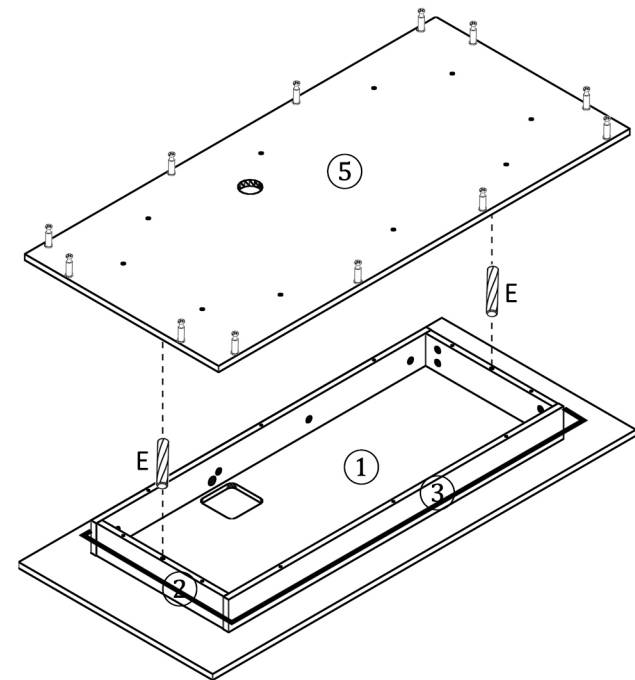
 B*8

STEP 7

1. Please paste the LED strip on the board in a circle
2. Pull the LED strip interface through the No. 1 board

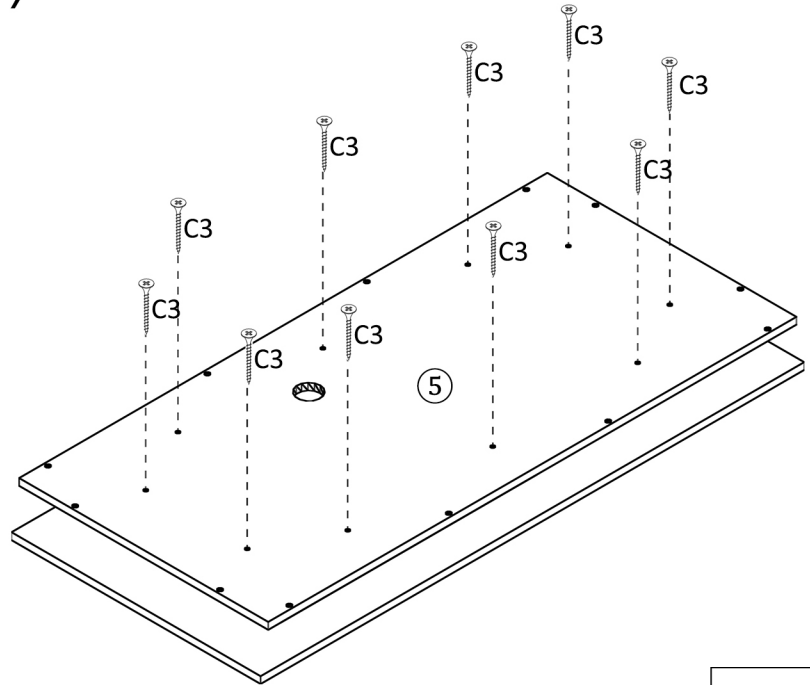


STEP 8




 E*2

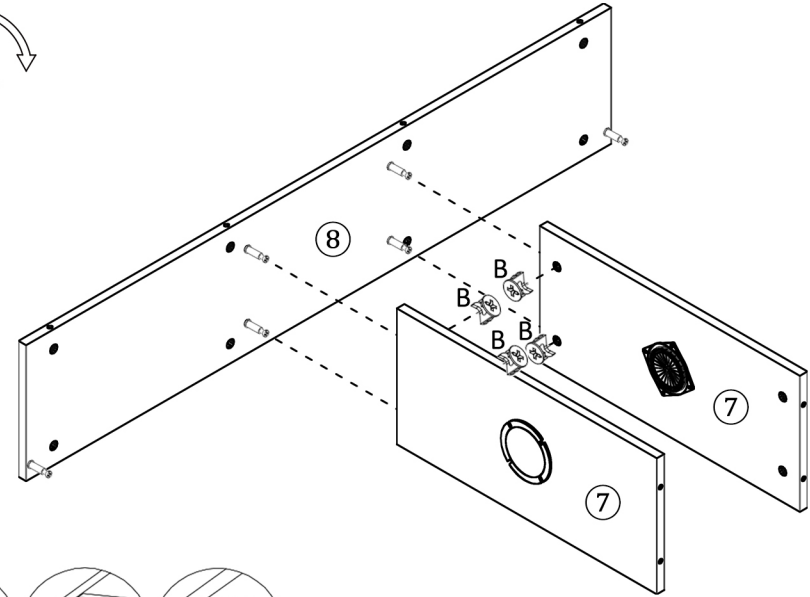
STEP 9



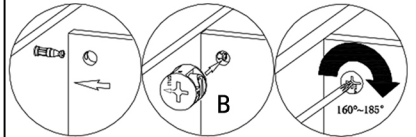
 C3*10

STEP 10

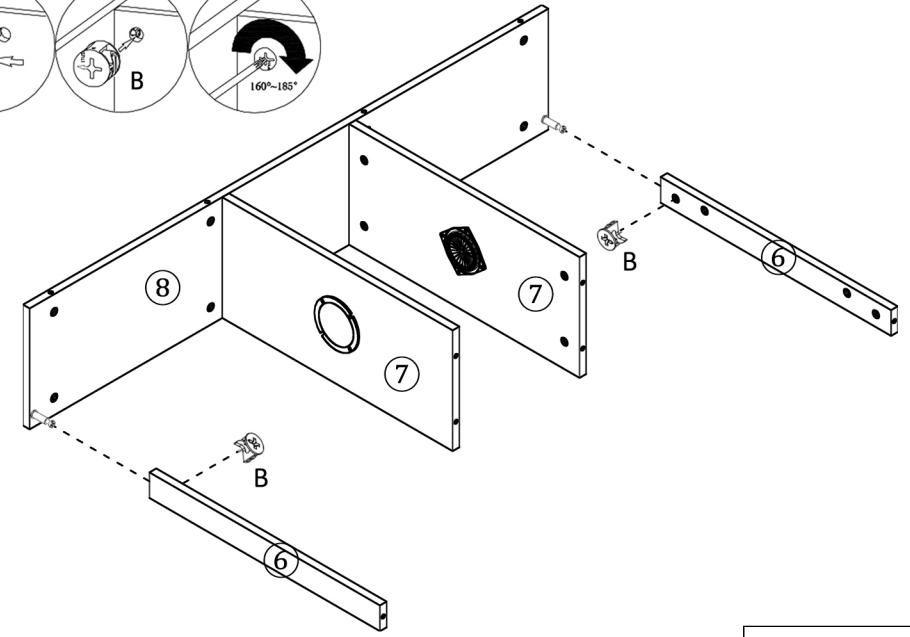
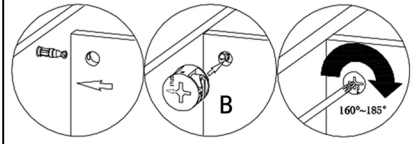
 180°
Flip



 B*4

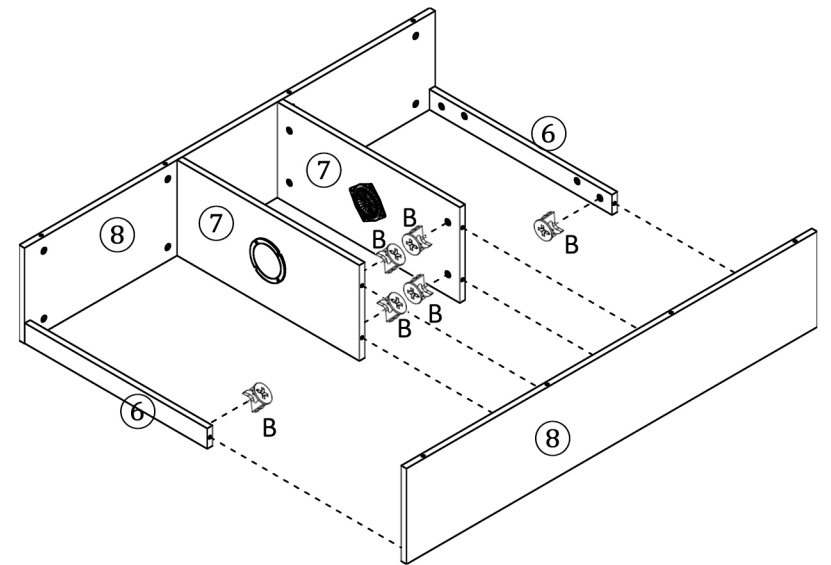


STEP 11

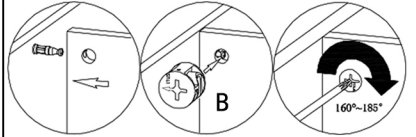


 B*2

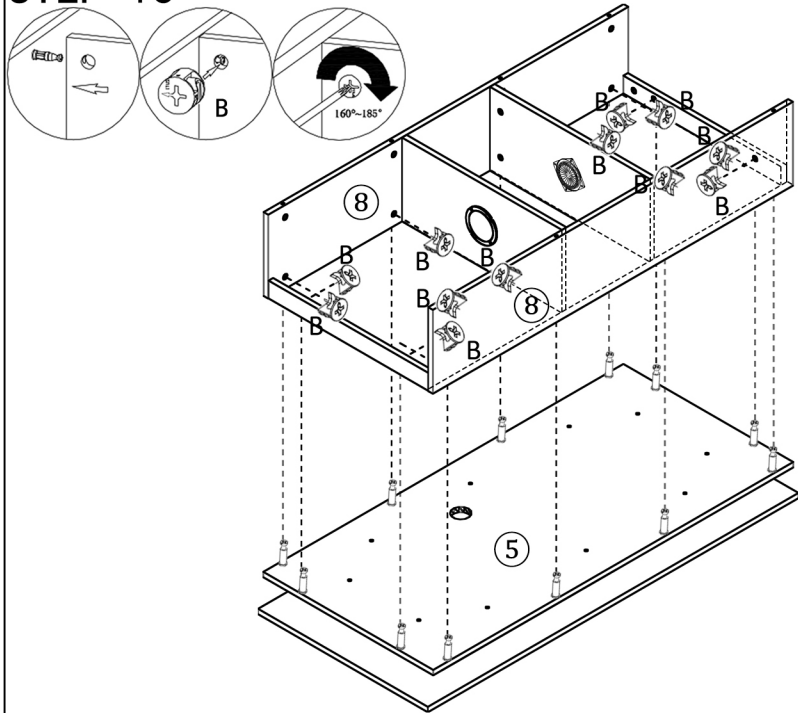
STEP 12




 B*6



STEP 13

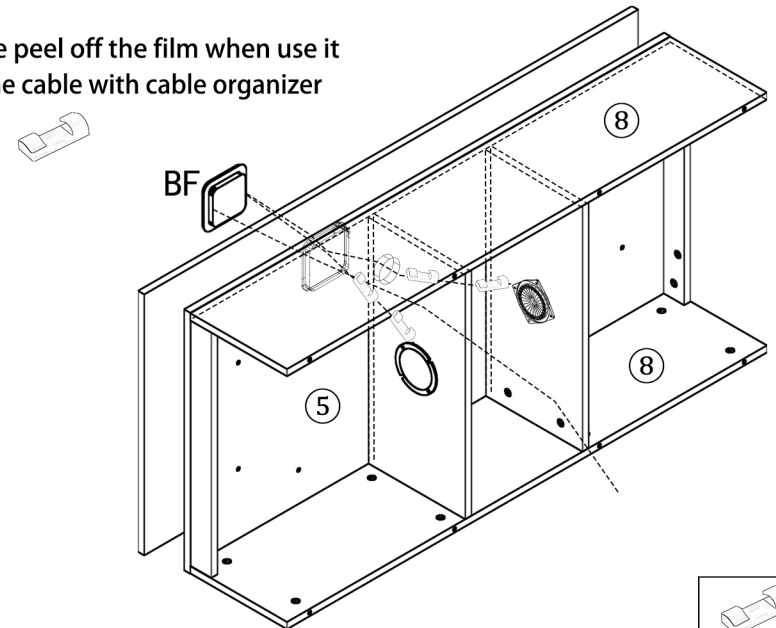


 B*12

STEP 15

Follow Step 14 to connect the horn cable to the lamp cable

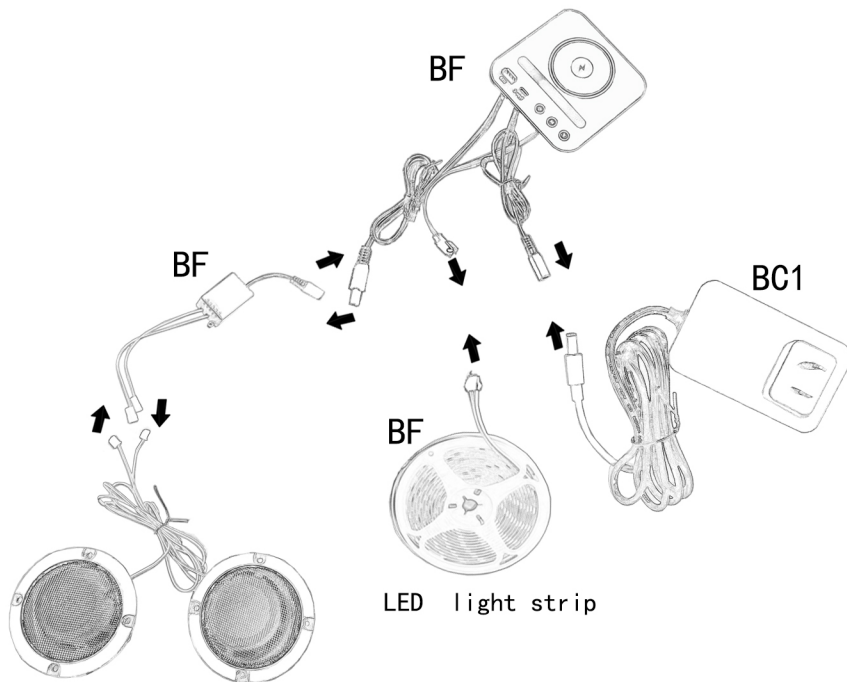
- ⚠ please peel off the film when use it
- Fix the cable with cable organizer



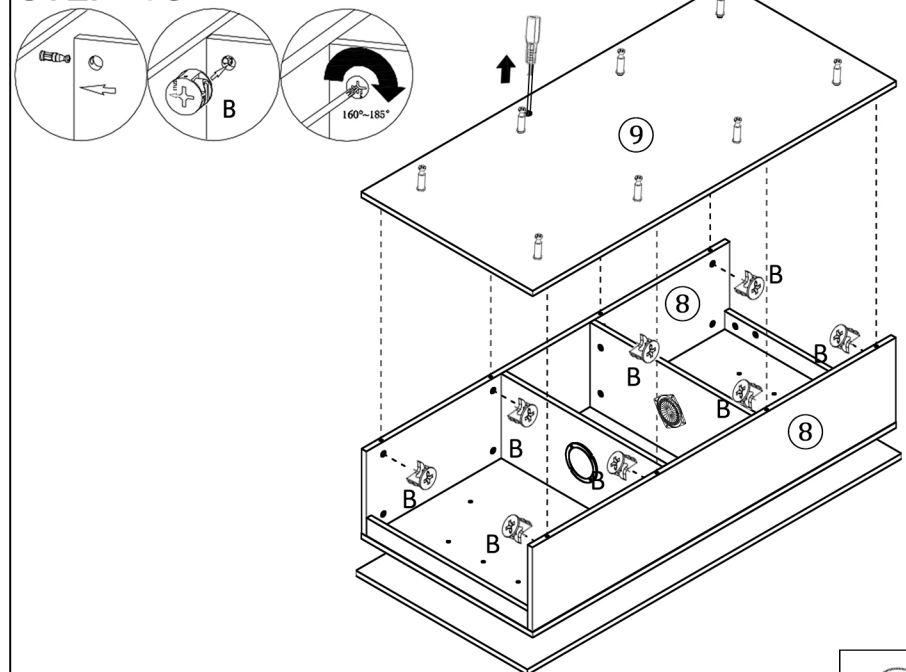
 AC*8

STEP 14

Installation diagram of electronic accessories



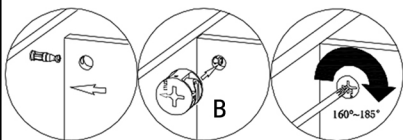
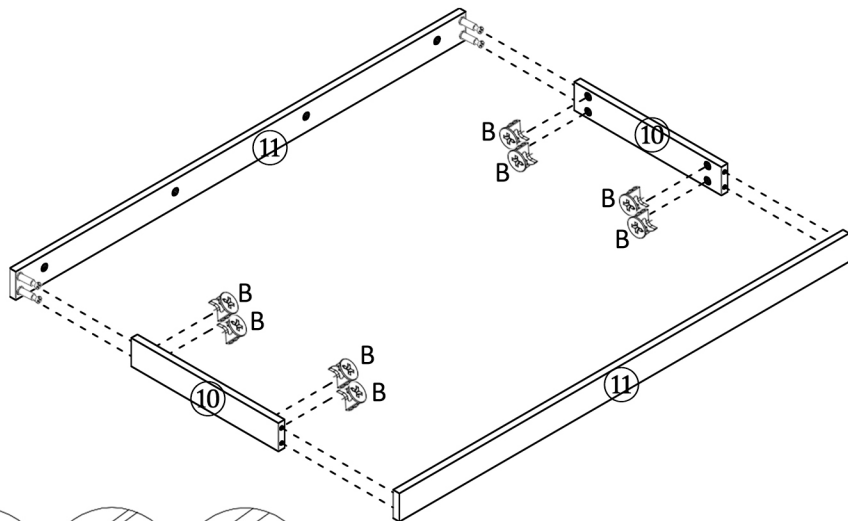
STEP 16



Warm reminder: Pull out the power interface cable first

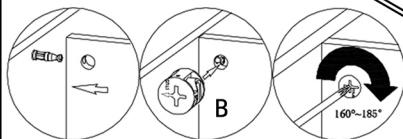
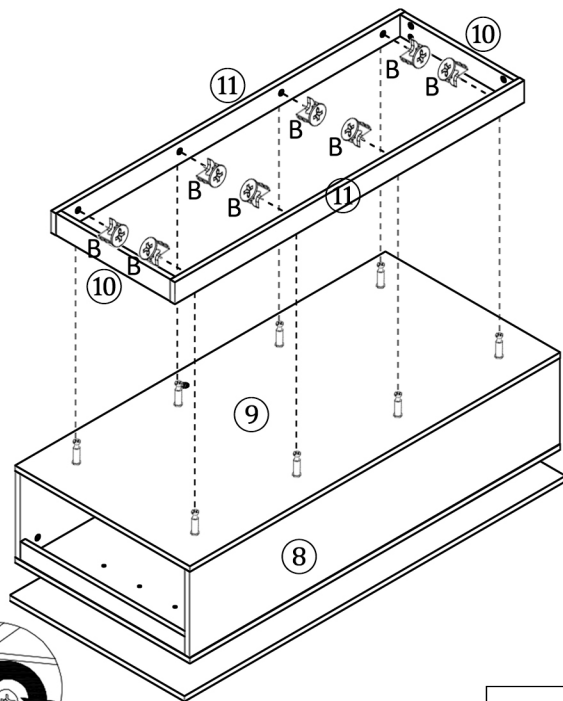
 B*8

STEP 17



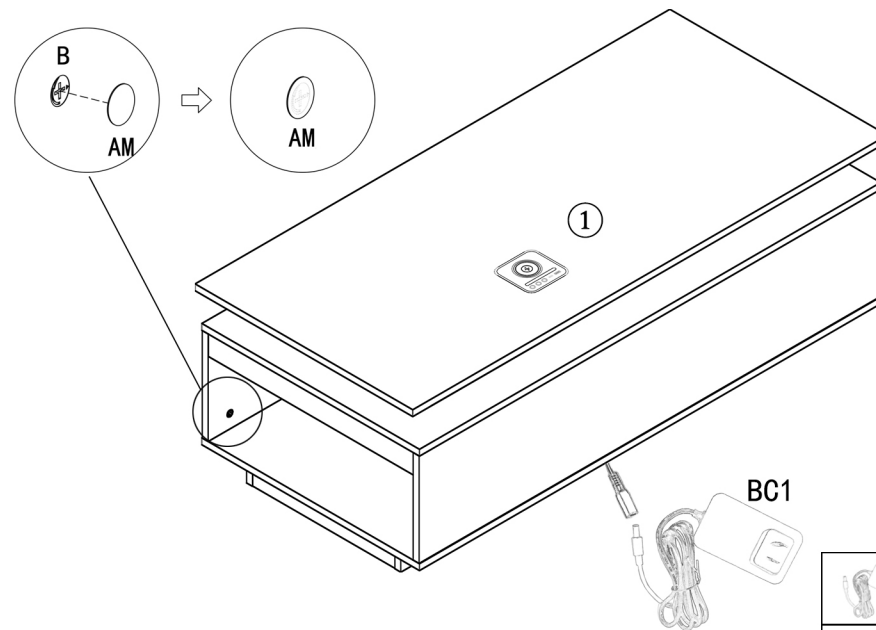
B*8

STEP 18



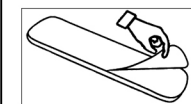
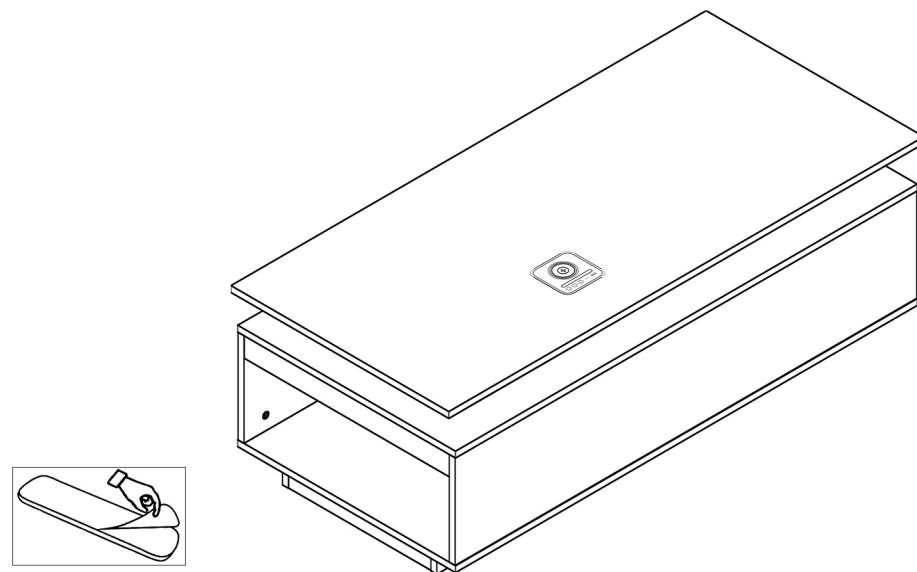
B*8

STEP 19



BC1*1
 AM*20
Decorative paper

STEP 20



For the high gloss panel,
please peel off the plastic
film after assembling

X03RGB Functional instructions



1. Power on ,Default is white color , then radar turn on.

2.TYPE- C and USB port , 5V 2A charging.

3. Wireless Charging : the highest charging power is 15W.

4.Radar button : Radar turn on when short press (the indication light on), when turn off (the indication light off). The sense distance is 0.5-2 meters ,different angles ,sense distance is different . Sense distance is affected by the human body movements.

5.Mode switch ,the color is: white , ice blue-red-green-blue-purple- 5 colors gradual change-5 colors saltus step

6 . No matter adjust which mode,the radar automatic turn off . When adjust the color you want ,it need turn on the radar again .

7. Light on/off button : Turn on light (the indication light on) , turn off light (the indication light off). Turn on the light state, and the long press can adjust the light brightness of 10-100%

8.Product memory function: Each shutdown is which color, and then boot the last color when turn on again



9.slide on this color board: it could vary 24 colors

10.Speakers : After powered, there will be ring 3 drops sound , it shows that power connection successfully. Then could use mobile phone connect blue tooth.(Bluetooth Name:LED Worklight with bluetooth)