

LED Bookcase

Assembly Instructions - Please keep for future reference

106030025A

106030026A

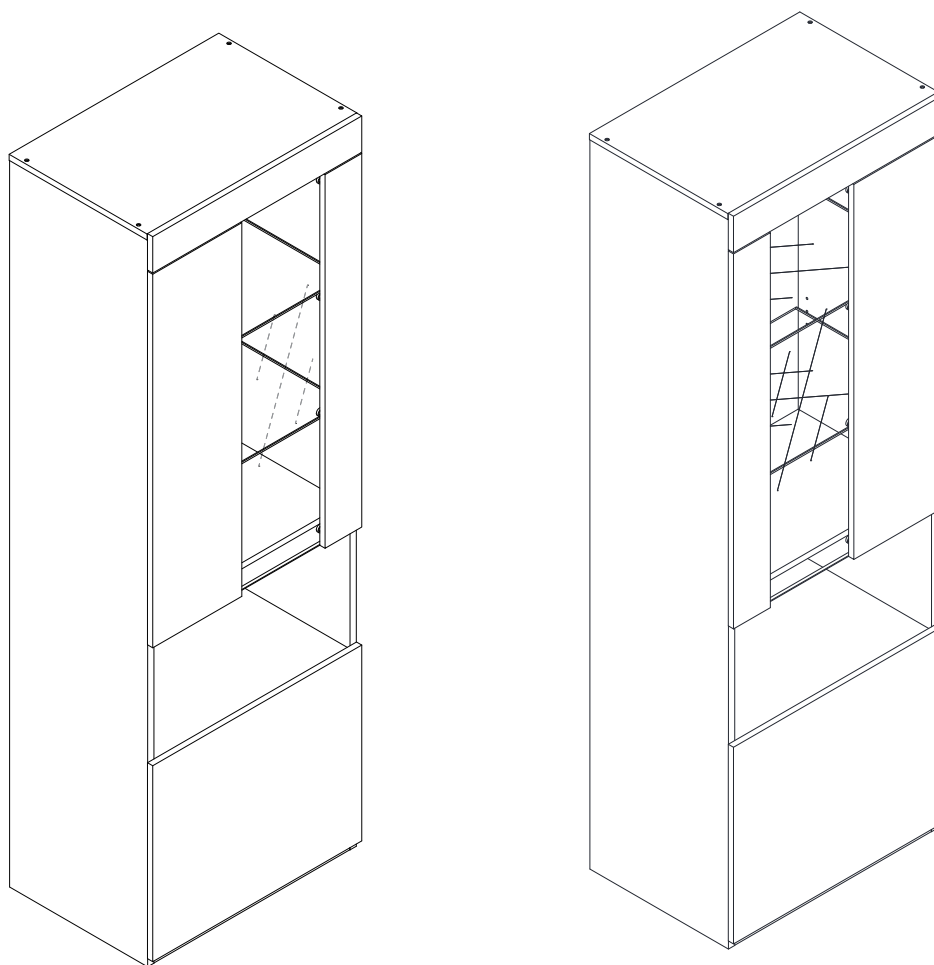
1061030177A

1061030178A



NOTE:

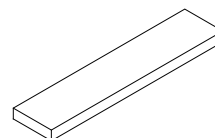
Comes with TWO PACKAGES with TWO TRACKINGS, may NOT be delivered at the same time.



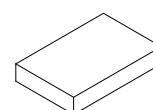
Dimensions

Width - 23.6inch
Depth - 16.1inch
Height - 70.9inch

Box 1:



Box 2:



Important – Please read these instructions fully before starting assembly

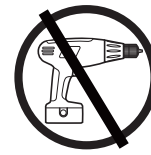


Safety and Care Advice

Important – Please read these instructions fully before starting assembly

- Check you have all the components and tools listed on the following pages.
- Remove all fittings from the plastic bags and separate them into their groups.
- Keep children and animals away from the work area, small parts could choke if swallowed.
- Make sure you have enough space to layout the parts before starting.

- During assembly do not stand or put weight on the product, this could cause damage.
- Assemble the item as close to its final position (in the same room) as possible.
- Assemble on a soft level surface to avoid damaging the unit or your floor.
- Parts of the assembly will be easier with 2 people.



- To reduce the likelihood of damaging your product please ensure that your power drill is set on a low torque setting.

Care and maintenance

- Only clean using a damp cloth and mild detergent, do not use bleach or abrasive cleaners.
- From time to time check that there are no loose screws on this unit.
- This product should not be discarded with household waste. Take to your local authority waste disposal centre.

Handy Hints

- Assemble all parts and bolts loosely during assembly, only once the product is complete should you fully tighten the bolts
- Regularly check and ensure that all bolts and fittings are tightend properly.

WARNING

In order to help prevent overturning – please follow these instructions

To help prevent product toppling over please follow the below steps:-

Use the anti tip strap or wall fixing method provided (if applicable)

Do not allow children to climb or hang on the furniture

Do not open more than one drawer at a time

Do not place heavy items in the top drawers

Do not place heavy items on top of the furniture, unless the furniture has been designed for this purpose

Please note that only the anti tip strap is provided.

You will need to provide wall plugs and screws applicable for your wall type

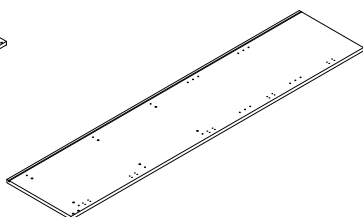
Components - Panels

Please check you have all the panels listed below

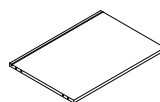
Box 1:



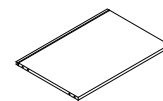
1 (178.5 x 39.4 x 1.8cm) x 2



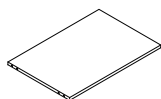
2 (178.5 x 39.4 x 1.8cm) x 2



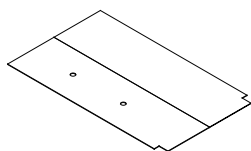
3 (56.2 x 39.2 x 1.5cm) x 1



5 (56.2 x 37.7 x 1.5cm) x 1

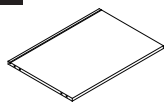


6 (56.2 x 38.2 x 1.5cm) x 1



8 (97.3x 57.2 x 0.25cm) x 2

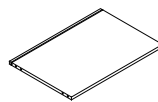
Box 2:



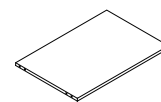
3 (56.2 x 39.2 x 1.5cm) x 1



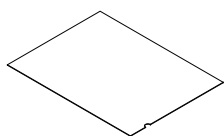
4 (56.2 x 7.5 x 1.5cm) x 2



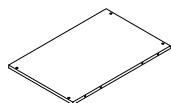
5 (56.2 x 37.7 x 1.5cm) x 1



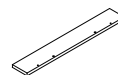
6 (56.2 x 38.2 x 1.5cm) x 1



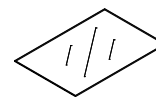
7 (72.9 x 57.2 x 0.25cm) x 2



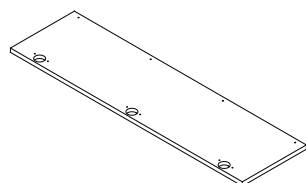
9 (60 x 39.4 x 1.5cm) x 2



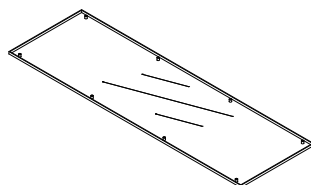
10 (60 x 9 x 1.5cm) x 2



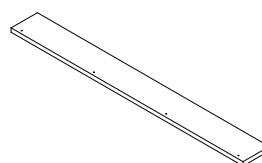
11 (55.3 x 35 x 0.6cm) x 4



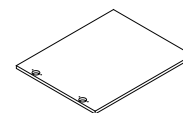
12 (90.5 x 25.5 x 1.5cm) x 2



13 (90.5 x 29 x 0.5cm) x 2



14 (90.5 x 10.5 x 1.5cm) x 2

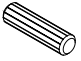







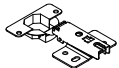


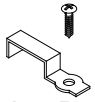




15 (59.8 x 48.5 x 1.5cm) x 2

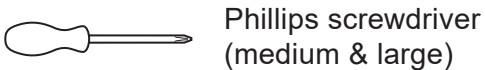
Components - Fittings

Please check you have all the fittings listed below

Note: The quantities below are the correct amount to complete the assembly. In some cases more fittings may be supplied than are required.

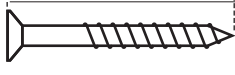
A  8*30mm Wooden Dowel x 48	B  7*39mm Cam Bolt x 30	C  Cam Lock x 30
D  Wall attach bracket x 4	E  5*40mm Screw x 8	F  Protective Feet x 8
G  3*16mm Back Panel Stiffener x 20	H  Glass Shelf Clamp x 16	I  Hinge x 10
J  3.5*14mm Screw x 60	K  Door Bumper x 10	L  LED Mounting Bracket x 4
M  LED lights kit x 1	N  Bolt and Washer x 16	

Tools required



Ruler - Use this ruler to help correctly identify the screws

0 5 10 15 20 25 30 35 40 45 50 55 60 65 70 75 80 85 90 95 100 105 110 115 120 125 130 135 140 145 150 155 160 165 170

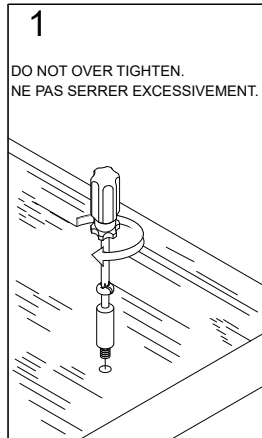


The screws length is measured from the head to the point (30mm screw shown).

Using Camlocks

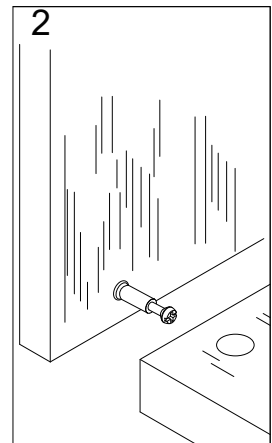
Step 1

Connect the male camlock as directed in the assembly instructions using a screwdriver.



Step 2

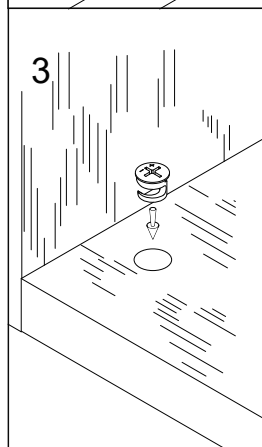
Push the male camlock into the entry hole.



Step 3

Insert the female camlock as shown in the instructions.

Note: ensure that the arrow on the top of the camlock points towards the entry hole for the male camlock.

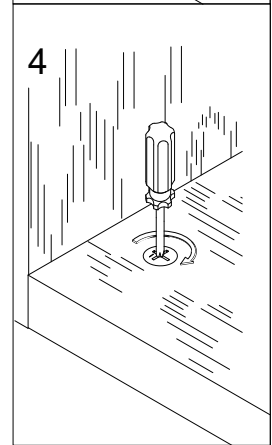


Step 4

Turn the female camlock clockwise with a screwdriver.

You should feel a click when the camlock is locked in place.

The joint is now secure.



Adjusting Hinges

Hinge adjustment:

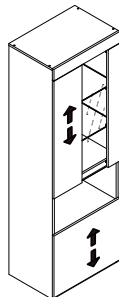
a: To move the top panel up or down, loosen screws shown and move top panel to suit

b. To move the top panel in or out, loosen screws shown and move top panel to suit.

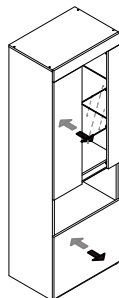
Retighten screws

c: To move the top panel left or right, adjust screws shown.

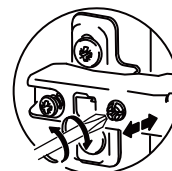
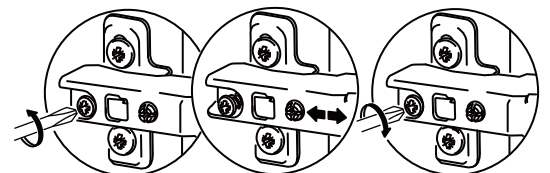
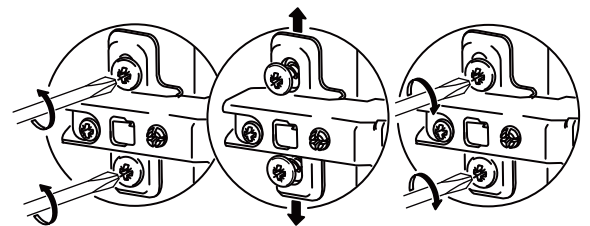
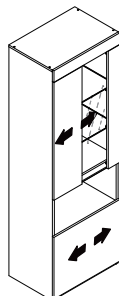
a:



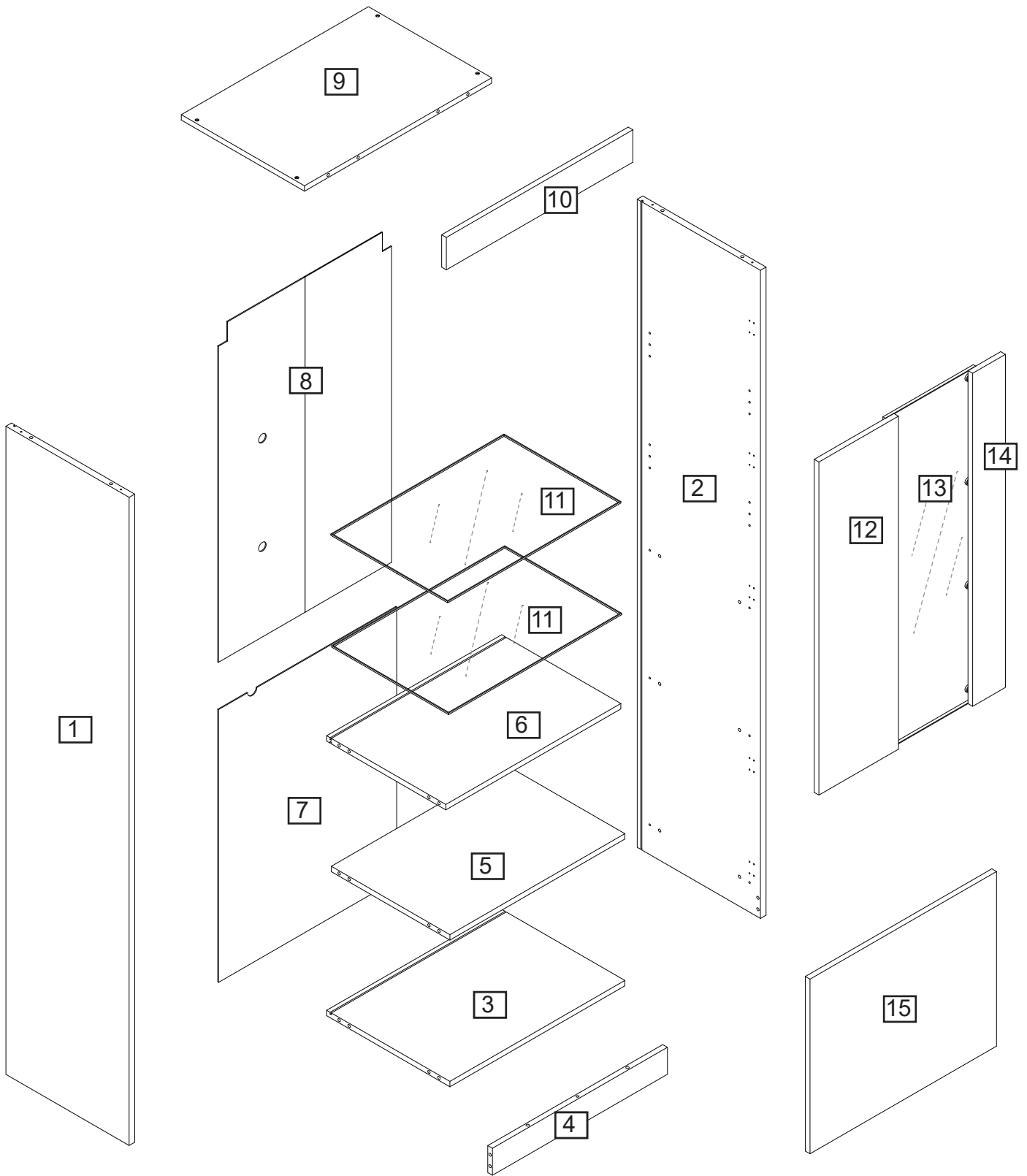
b:



c:



Assembly Instructions



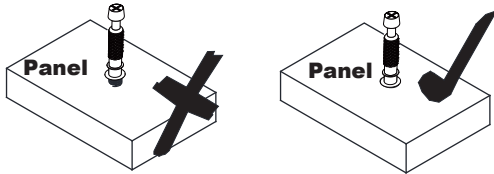
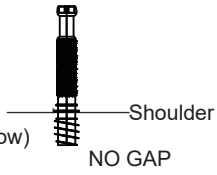
x2

Assembly Instructions

Step 1

CAM-LOCK

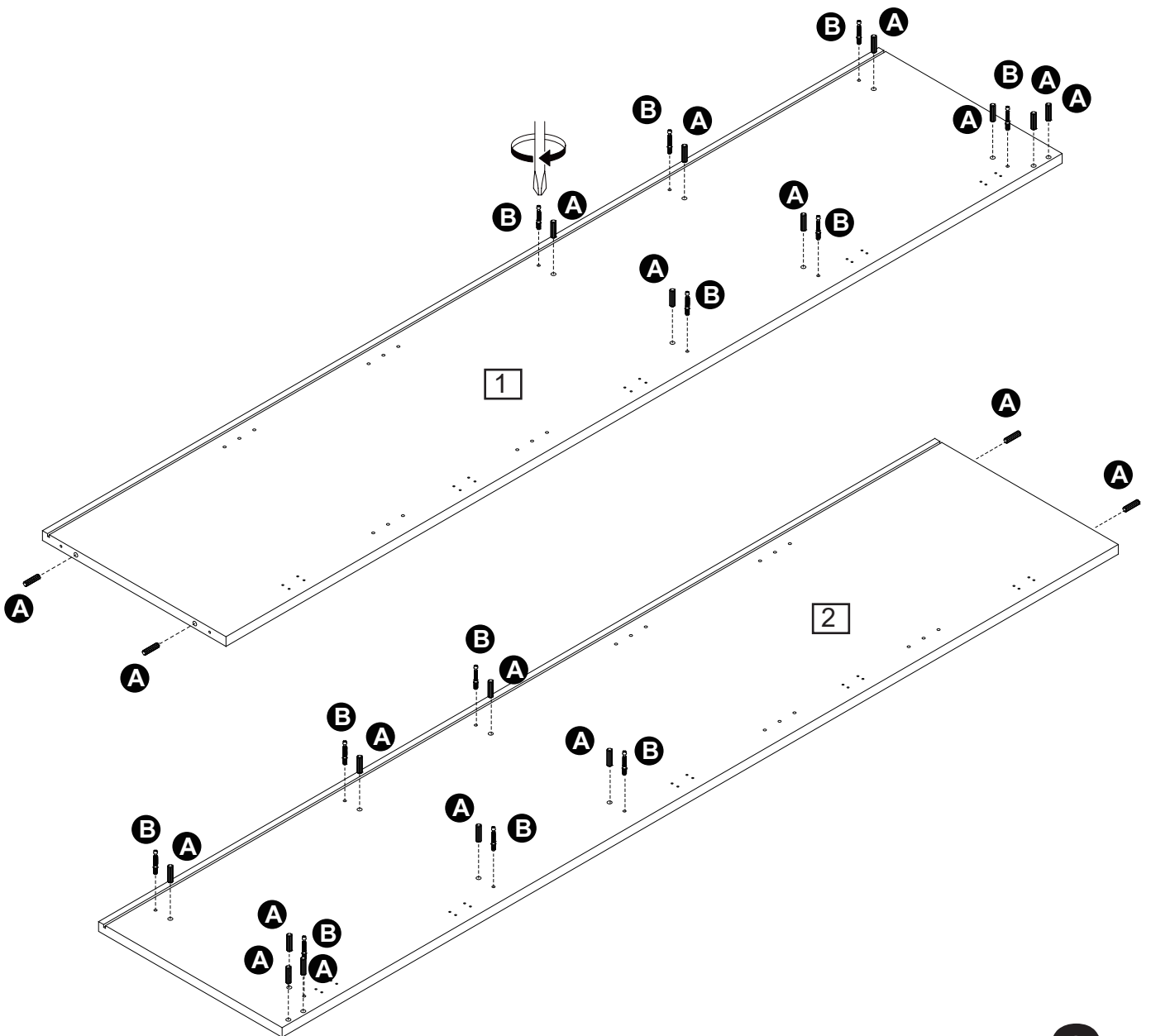
Tighten until shoulder is flush with panel. Do not overtighten or undertighten (see example below)



A x 40



B x 24



x2

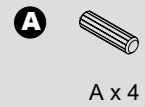
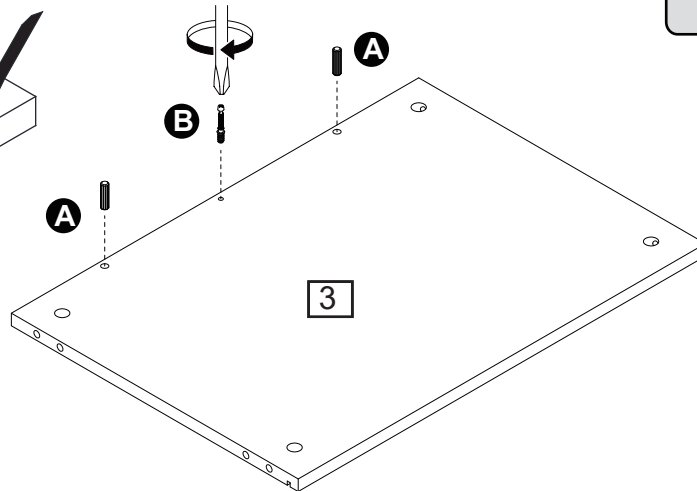
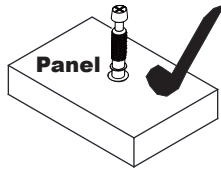
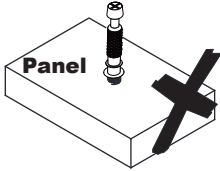
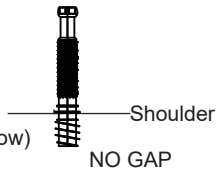
Insert wooden dowel (A) into part (1, 2), and attach cam bolt (B) to part (1, 2).

Assembly Instructions

Step 2

CAM-LOCK

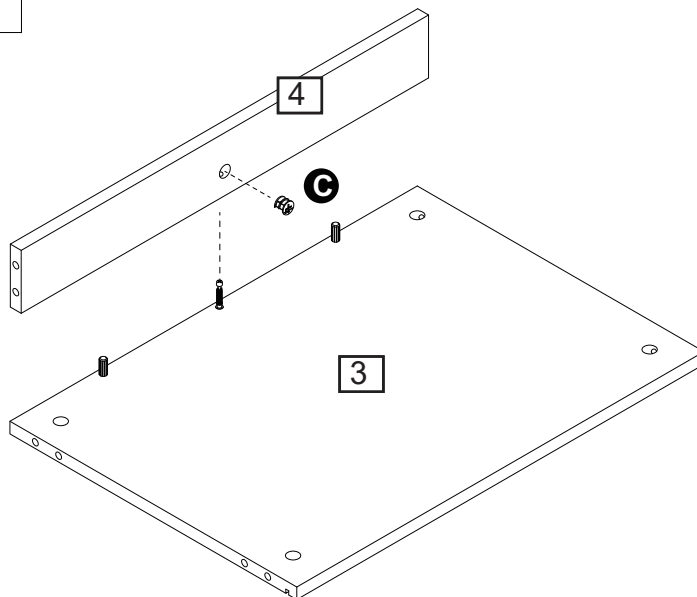
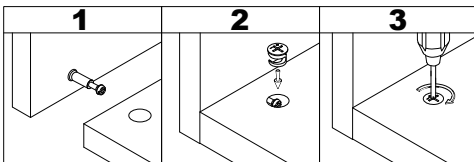
Tighten until shoulder is flush with panel. Do not overtighten or undertighten (see example below)



x2

Insert wooden dowel (A) into part (3), and attach cam bolt (B) to part (3).

Step 3

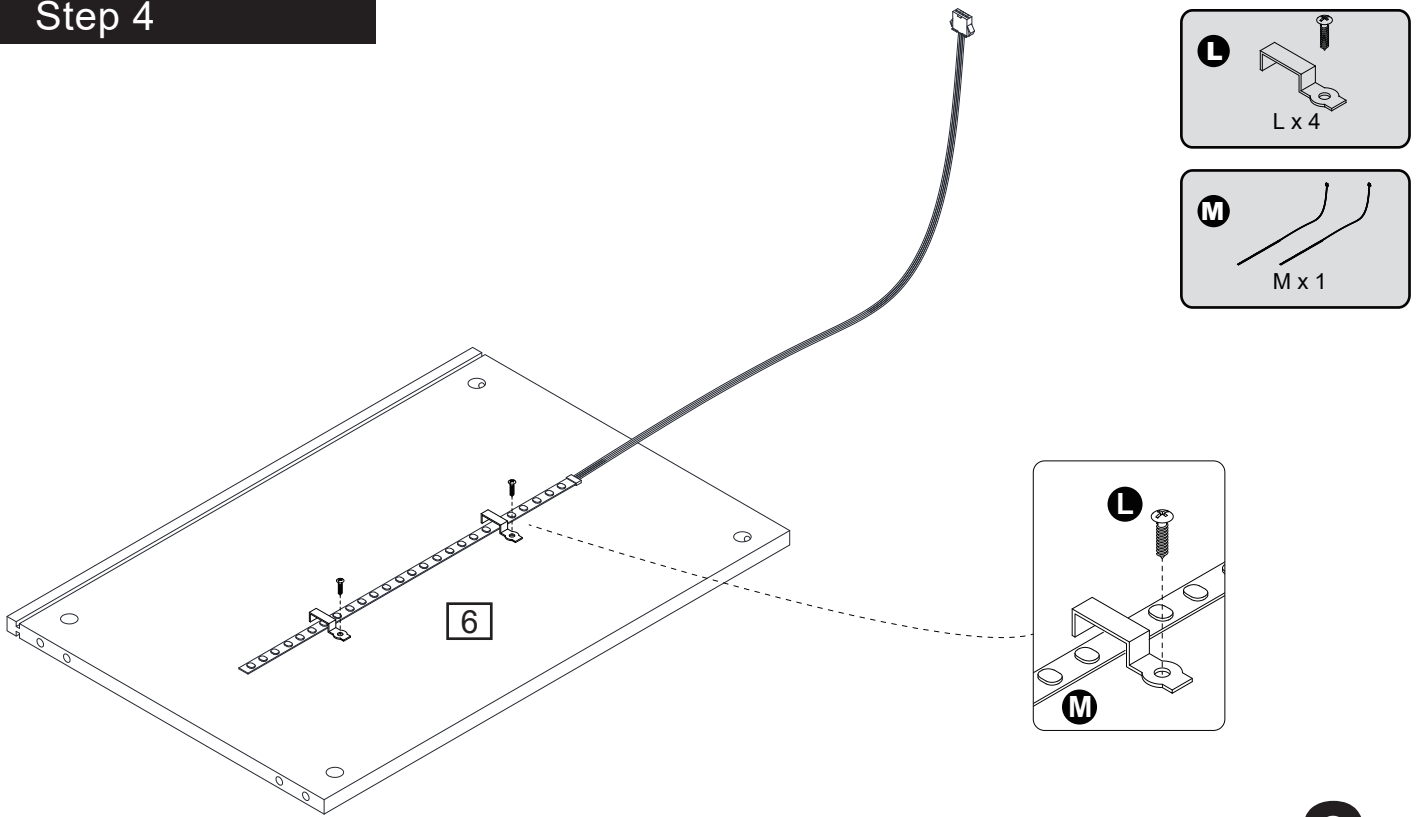


x2

Attach part (4) to part (3), then insert and secure cam lock (C) to part (4) to lock it.

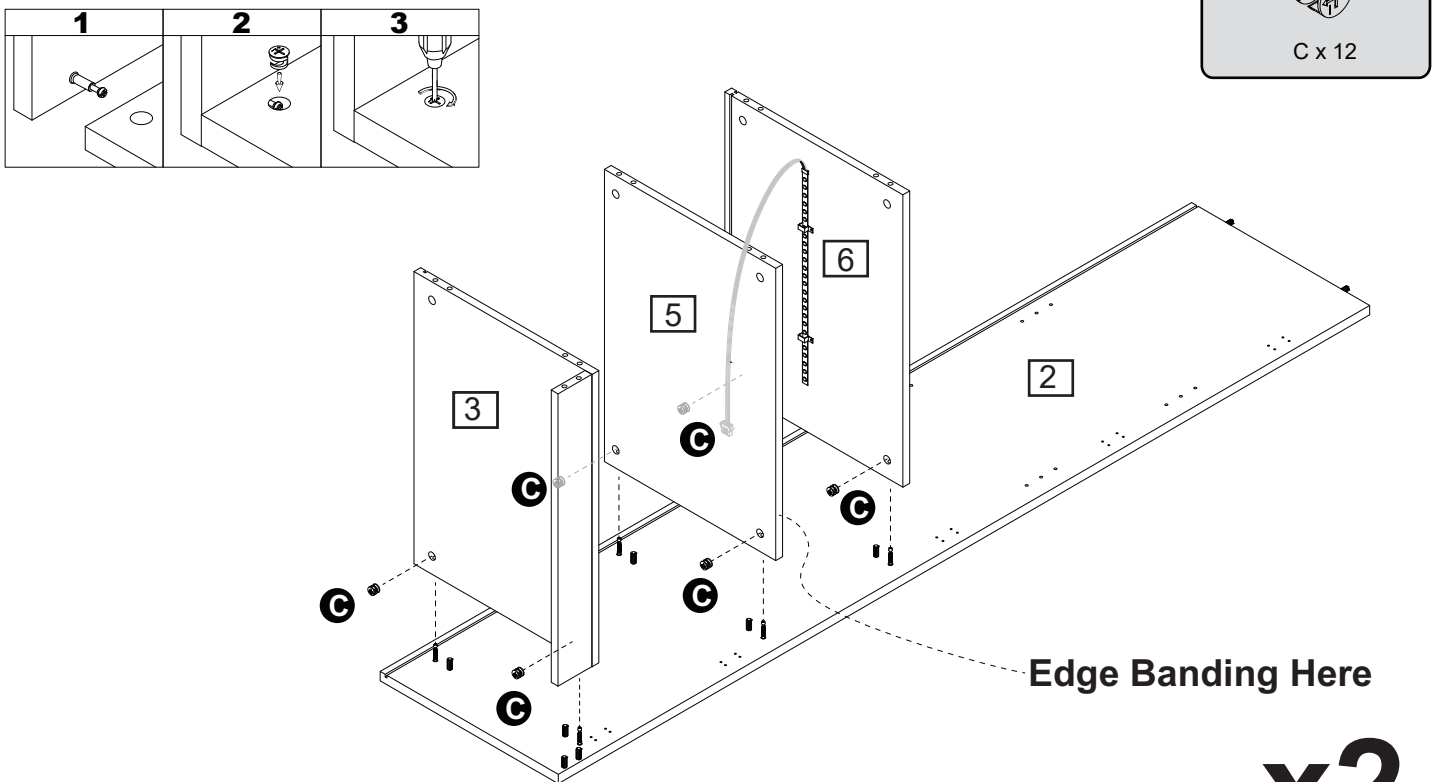
Assembly Instructions

Step 4



Attach LED strip light to part (6) using LED mounting bracket (L).

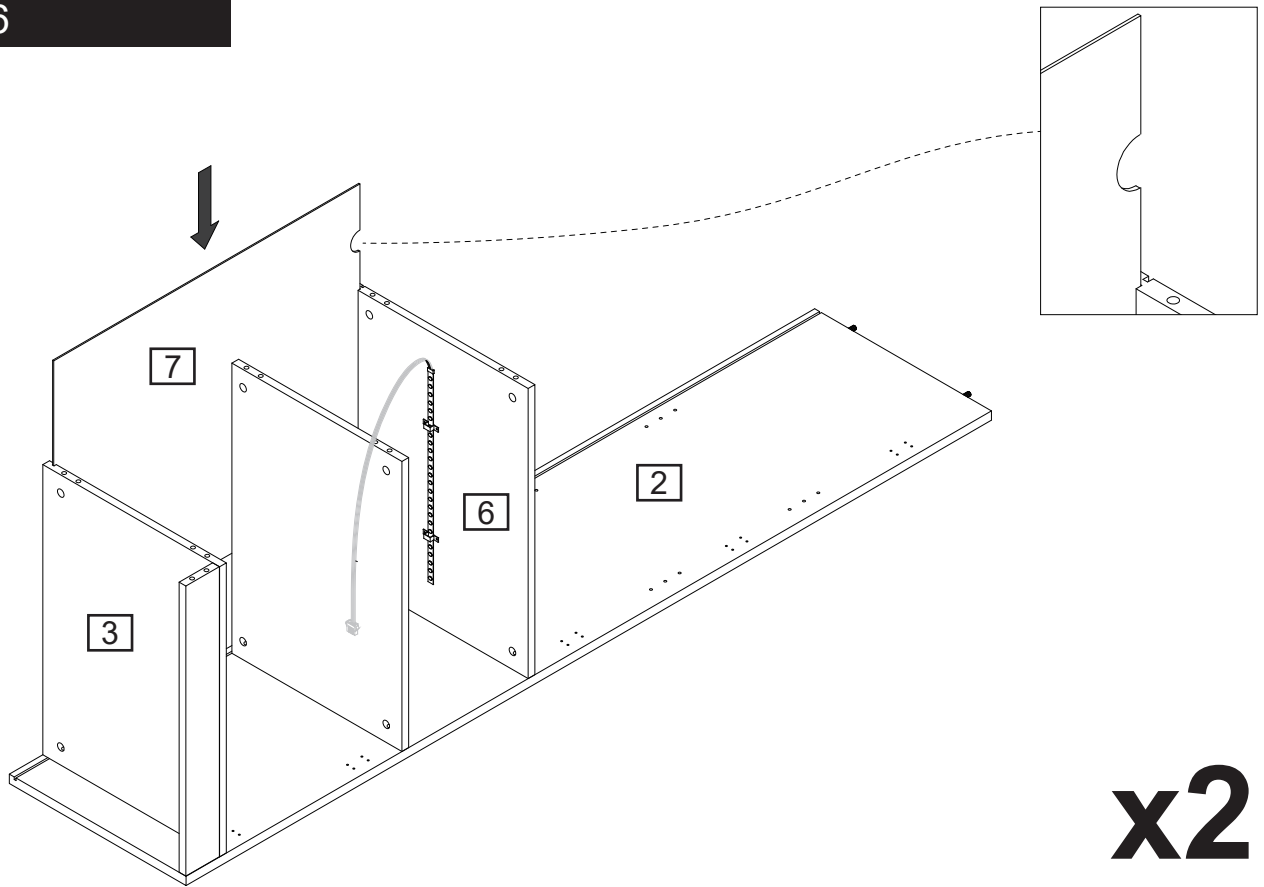
Step 5



Attach part (3, 5, 6) to part (2), then insert and secure cam lock (C) to part (3, 5, 6).

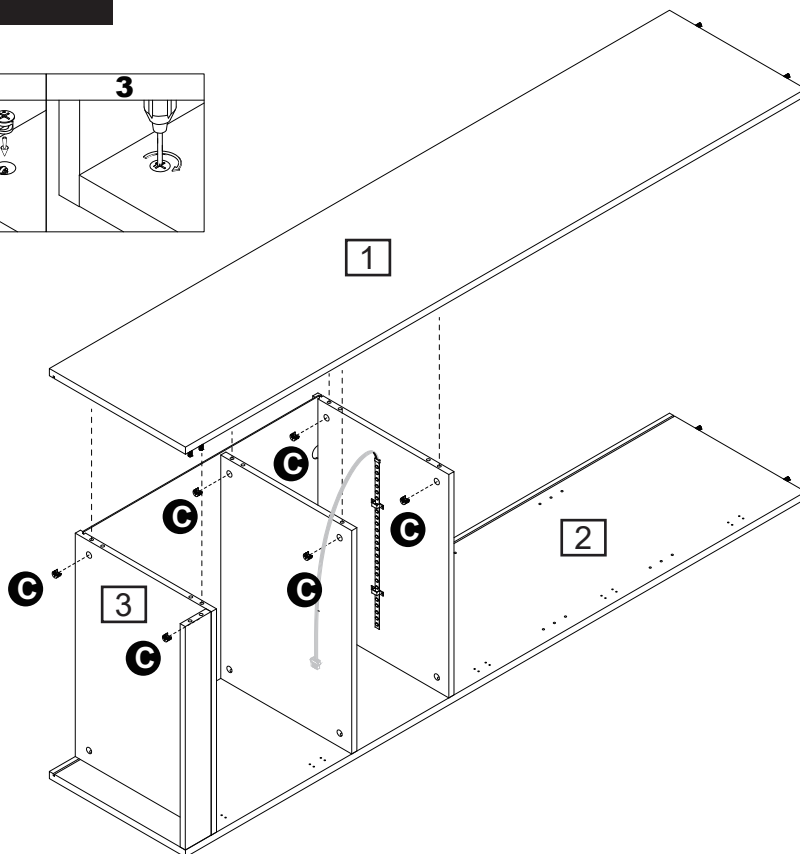
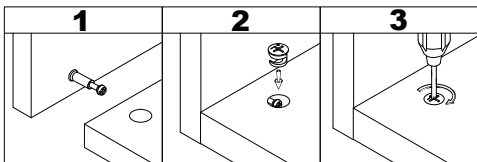
Assembly Instructions

Step 6



Slide the back panel (7) into grooves.

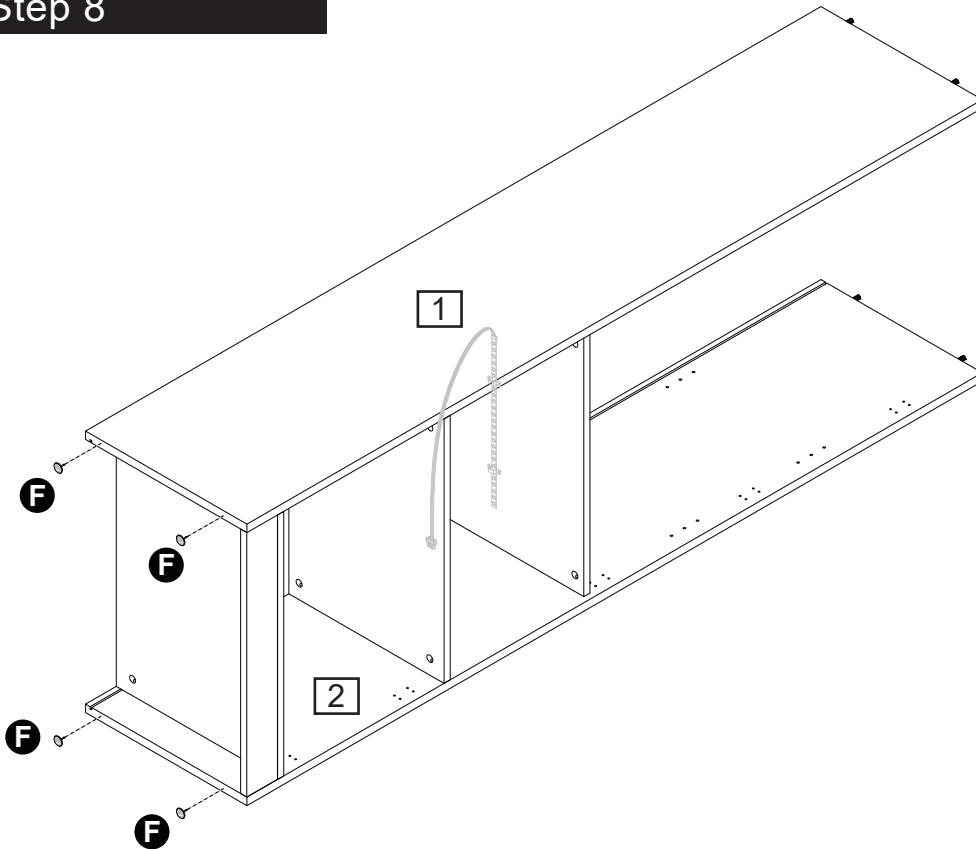
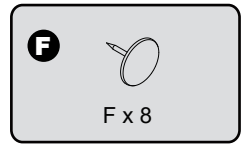
Step 7



Attach part (1) to part (3, 5, 6), then insert and secure cam lock (C) to part (3, 5, 6).

Assembly Instructions

Step 8



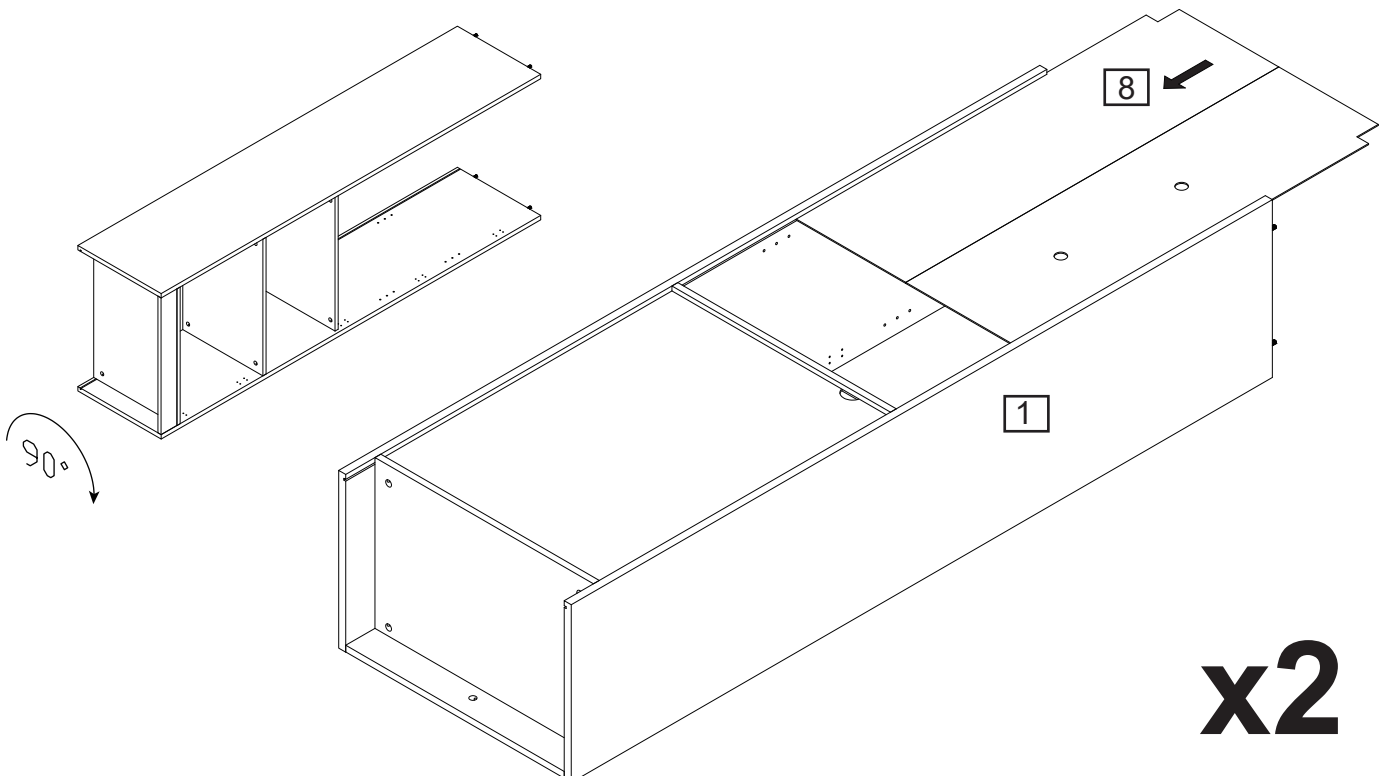
x2

Insert protective feet (F) to part (1, 2).

Step 9



Note: three cable outlets are on the same side.

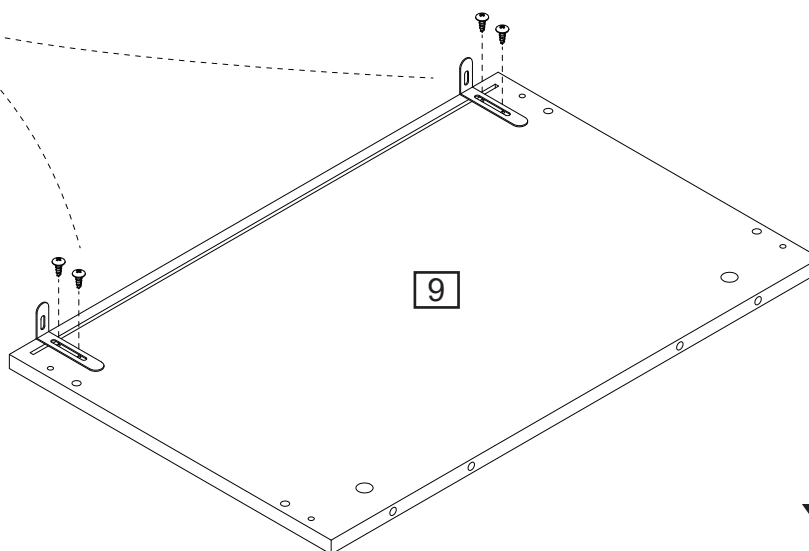
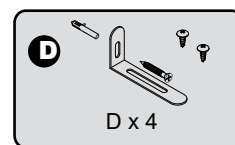
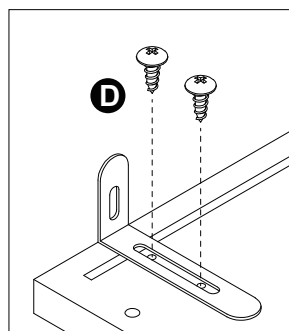


x2

Slide back panel (8) into grooves.

Assembly Instructions

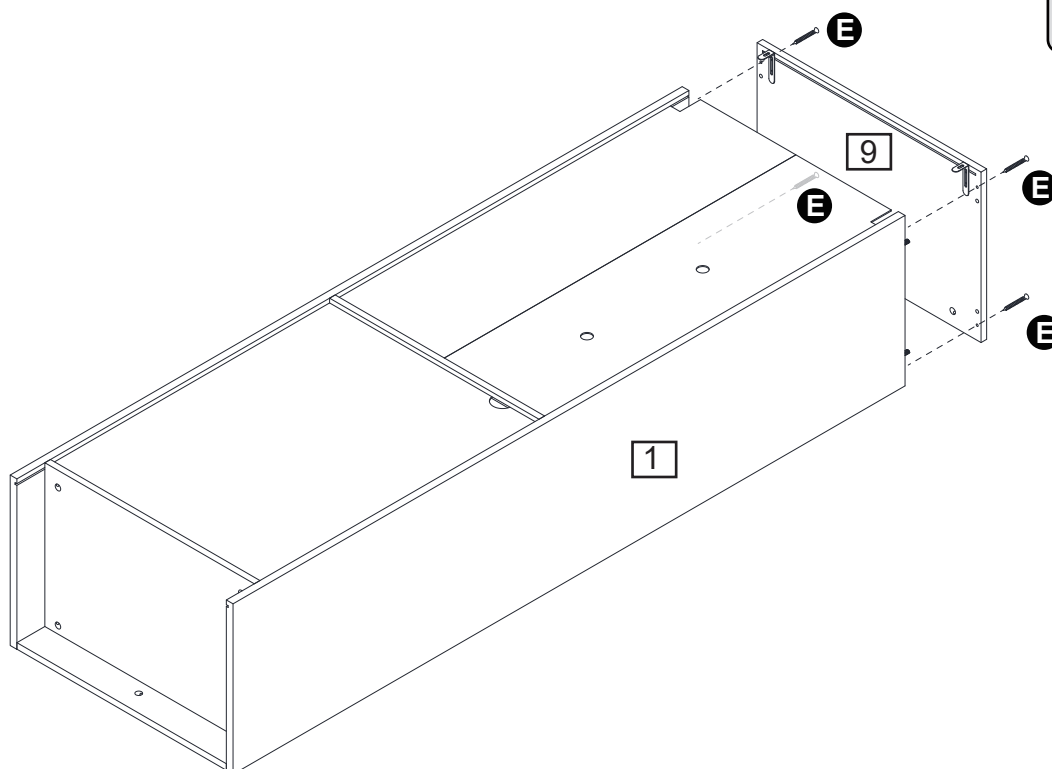
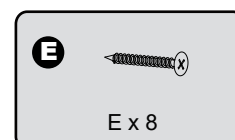
Step 10



x2

Attach wall attack bracket (D) to part (9) using screw (D).

Step 11

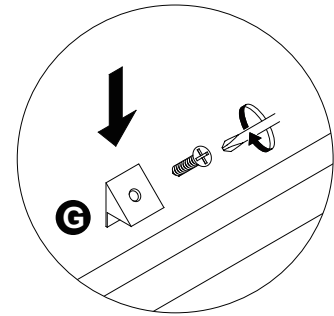
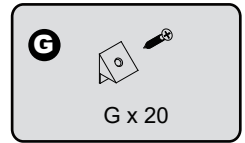
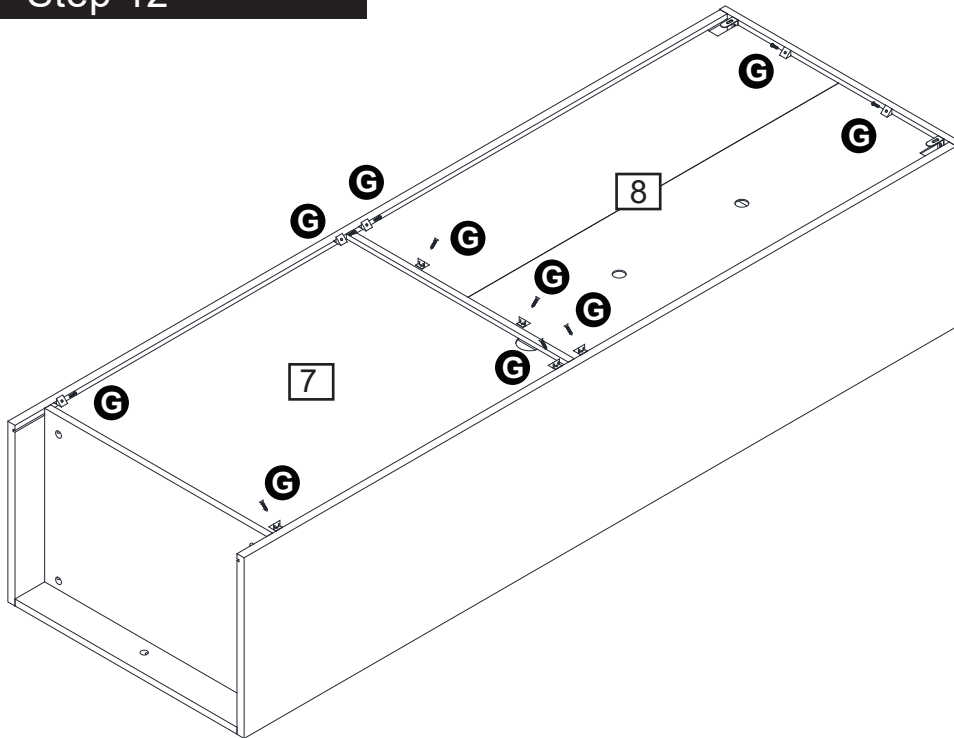


x2

Attach part (9) to part (1, 2) using screw (E).

Assembly Instructions

Step 12



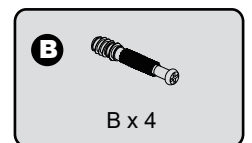
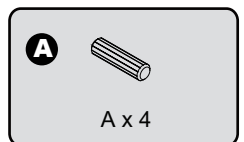
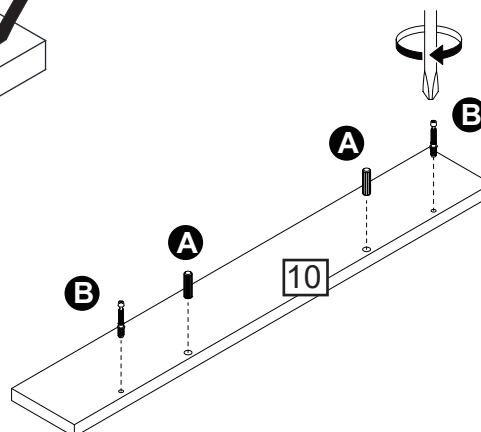
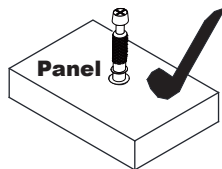
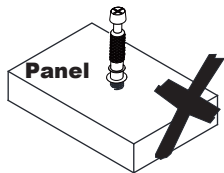
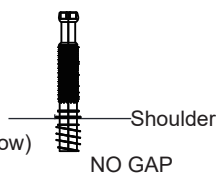
x2

Attach plastic wedge (G) to back panels and secure.

Step 13

CAM-LOCK

Tighten until shoulder is flush with panel. Do not overtighten or undertighten (see example below)

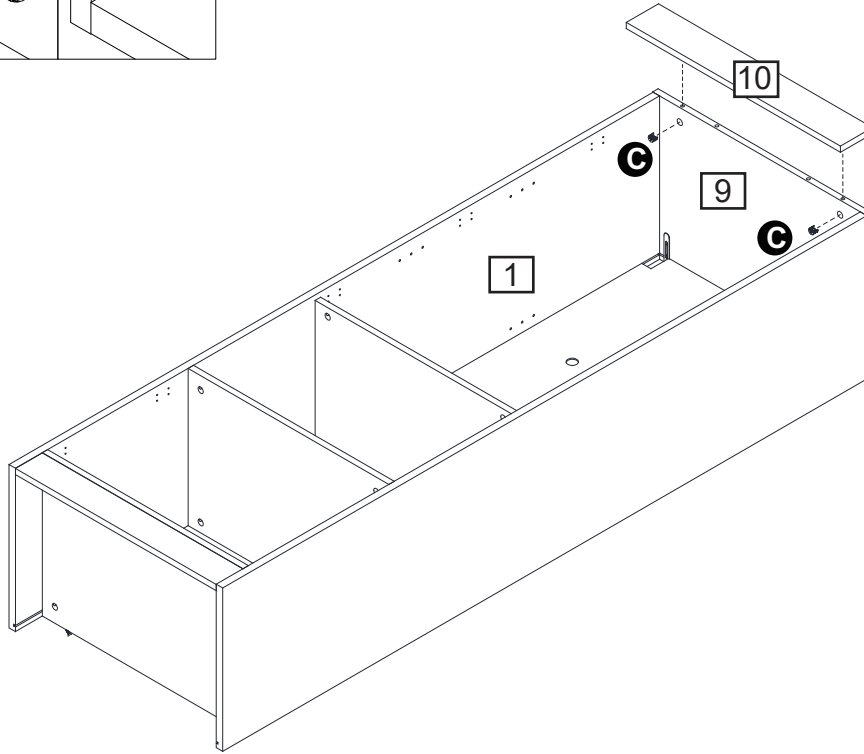
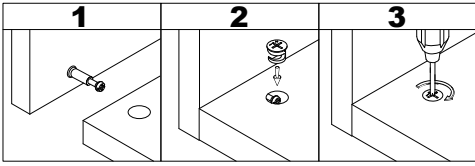


x2

Insert wooden dowel (A) to part (10), and attach cam bolt (B) to part (10).

Assembly Instructions

Step 14

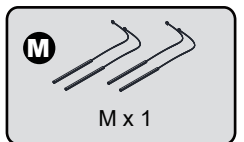
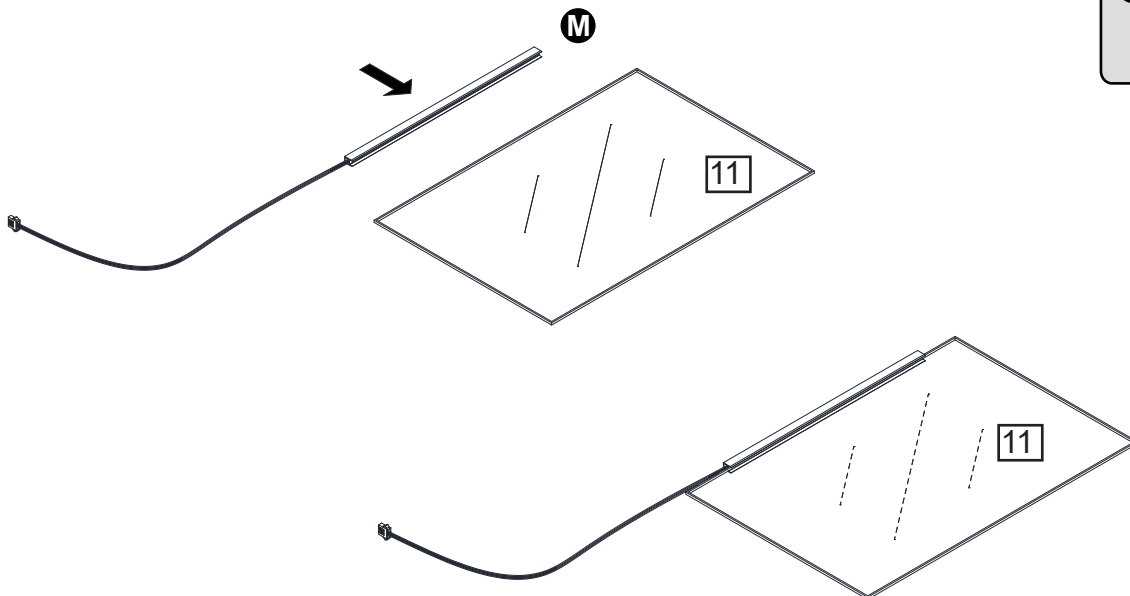


C x 4

x2

Attach part (10) to part (9), then insert and secure cam lock (C) to part (9) to lock it.

Step 15



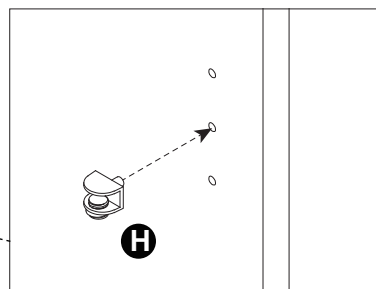
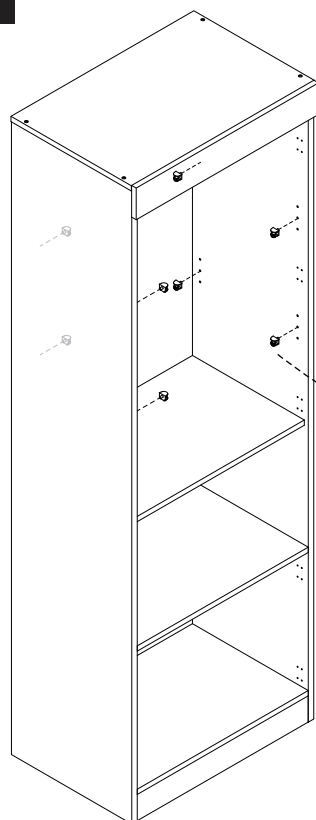
M x 1

x4

Attach clip lamp to part (11)

Assembly Instructions

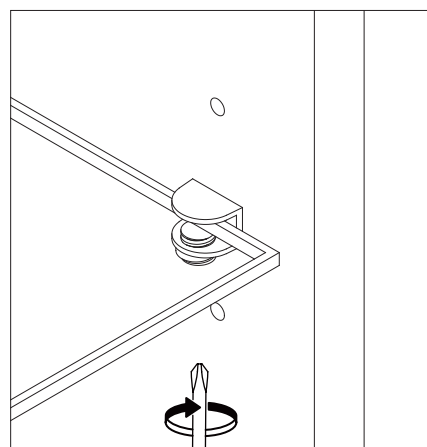
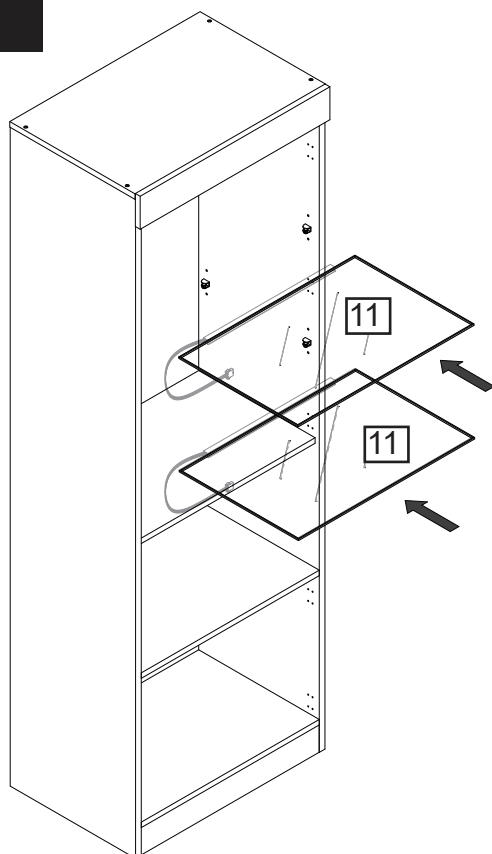
Step 16



x2

Attach glass shelf clamp (H) to part (1, 2).

Step 17

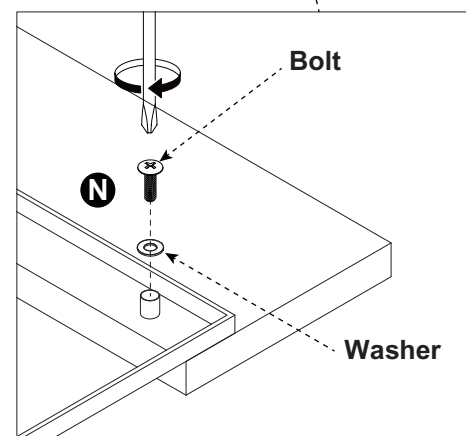
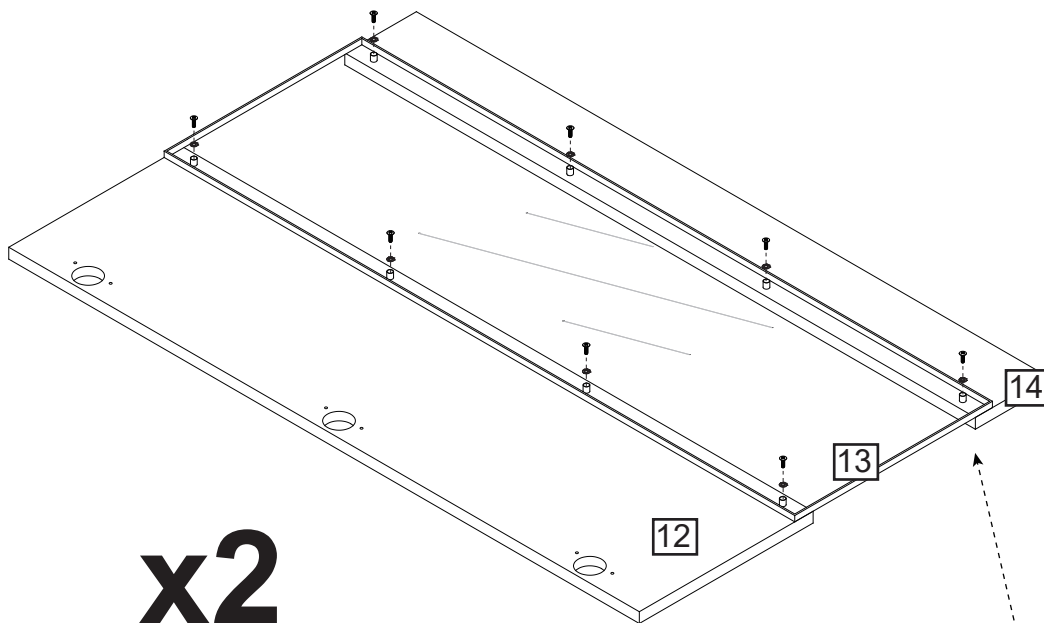
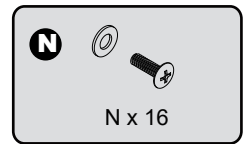


x2

Slide part (11) through glass shelf clamp (H), and tighten the clamp.

Assembly Instructions

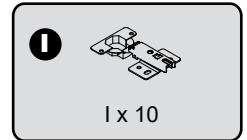
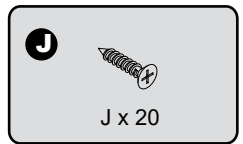
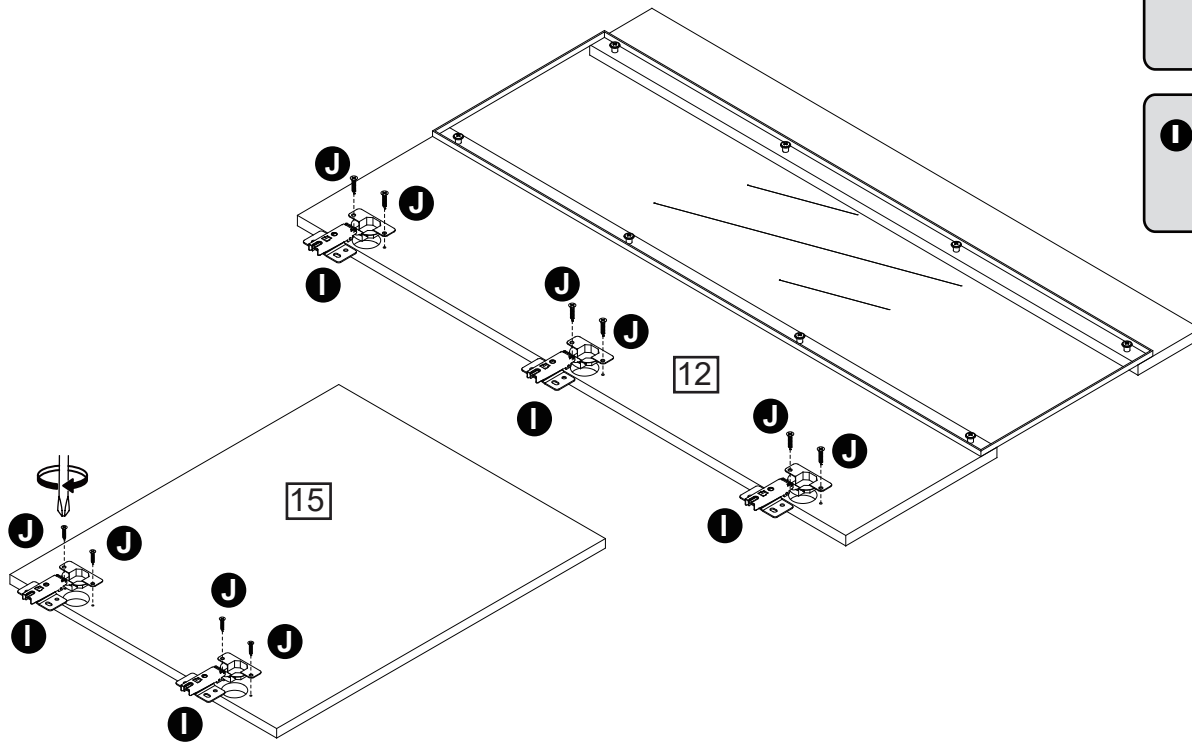
Step 18



Attach glass (13) to parts (12, 14) using bolts and rubber washers with a screwdriver.
Note: you may assemble all bolts loosely during assembly, once glass (13) and parts (12, 14) are attached should you fully tighten all the bolts.

Assembly Instructions

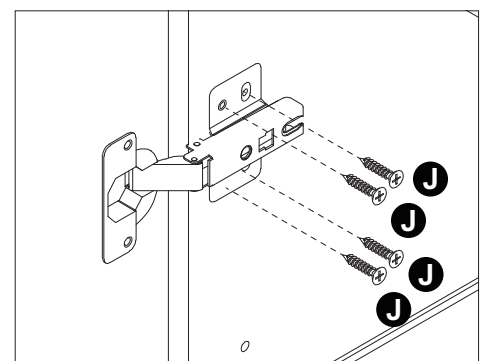
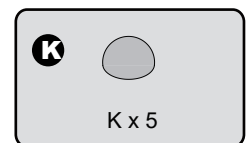
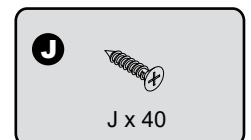
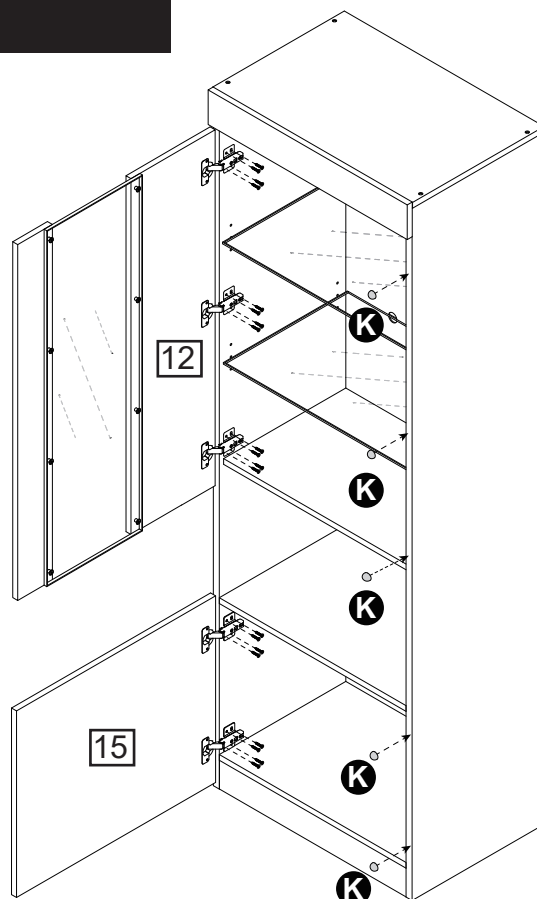
Step 19



x2

Use screw (J) to secure hinge (I) to part (12, 15).

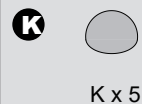
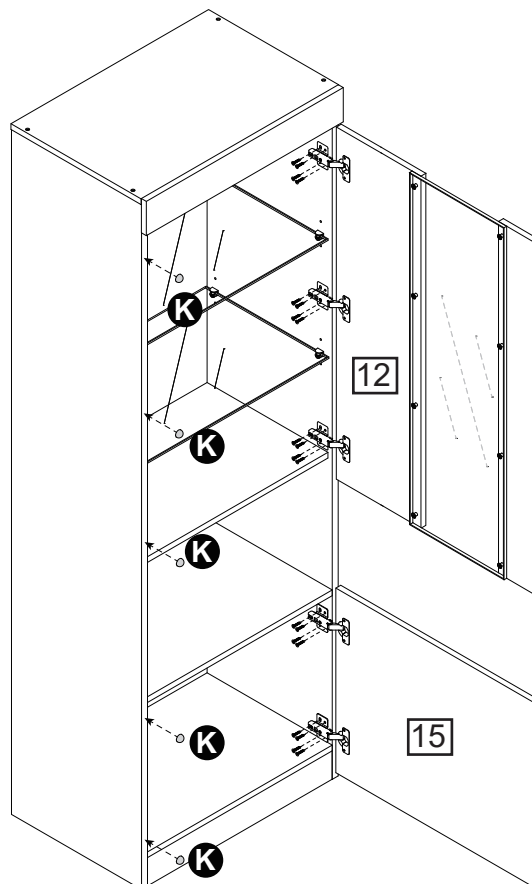
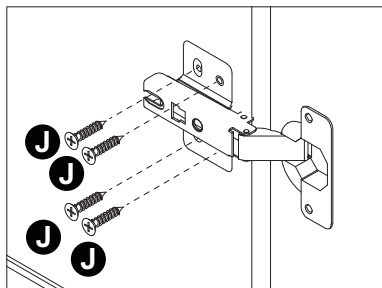
Step 20



Use screw (J) to secure hinge (I) to part (1) with a screwdriver, and then attach door bumpers(K) to part (2). You may refer to page 4 about how to adjust hinge.

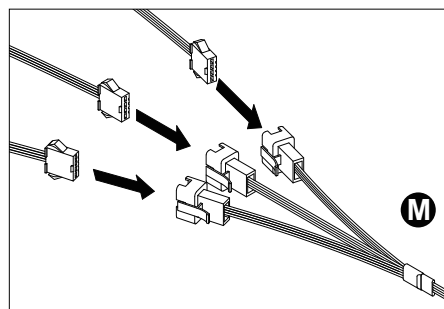
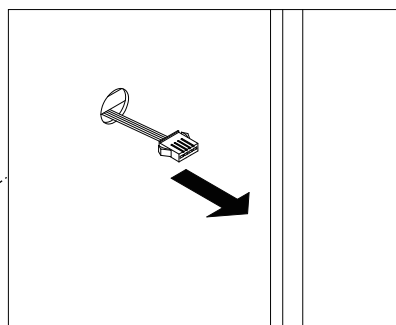
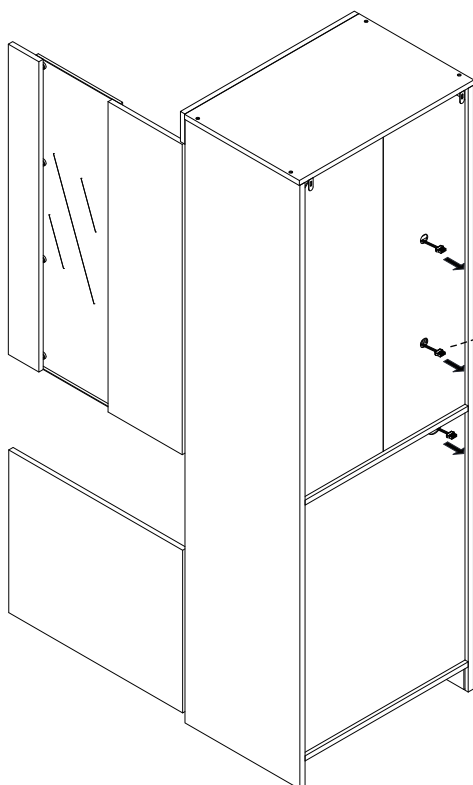
Assembly Instructions

Step 21



Repeat the procedures from the last step on the second bookcase.

Step 22

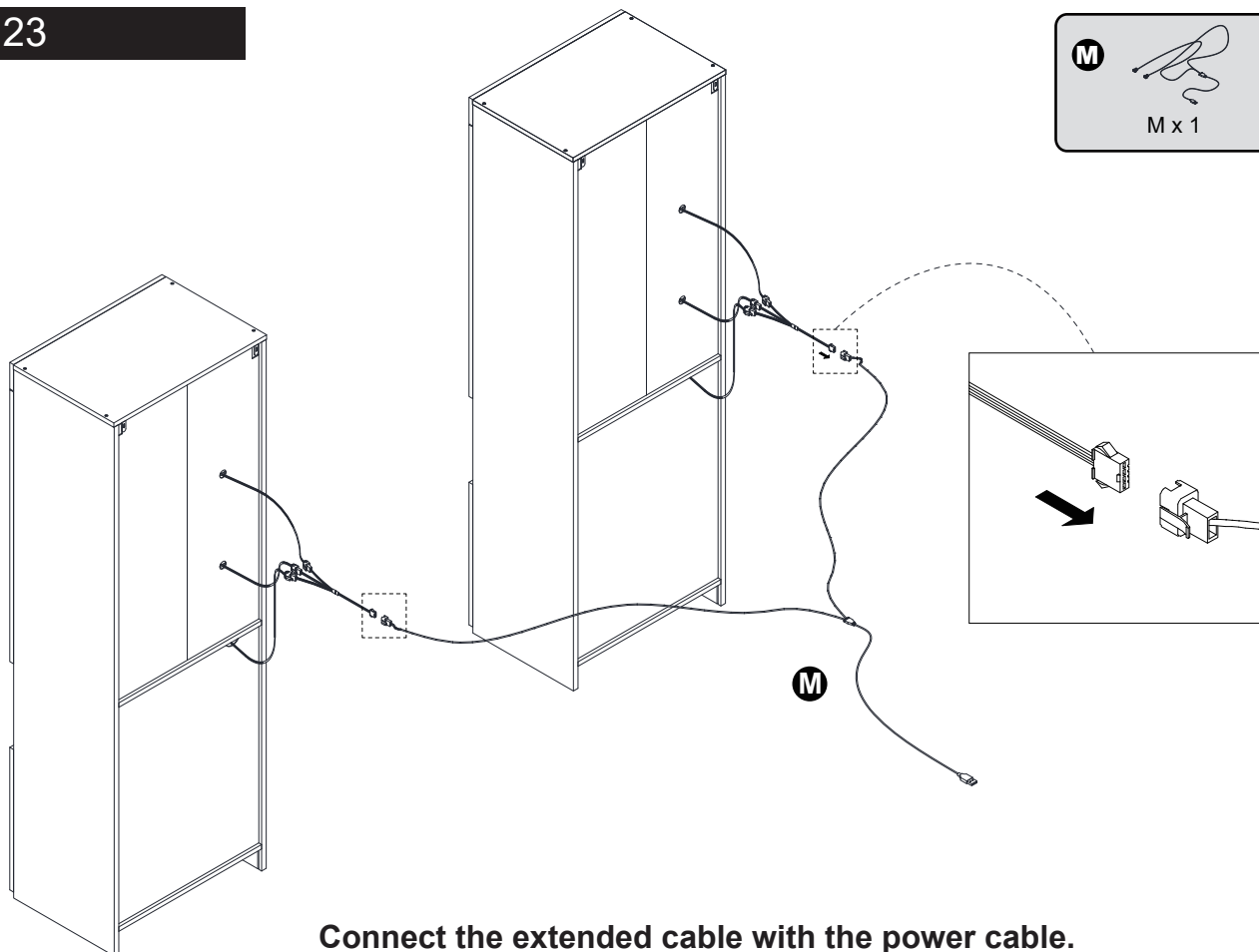


x2

Connect LED lights with the extended cable.

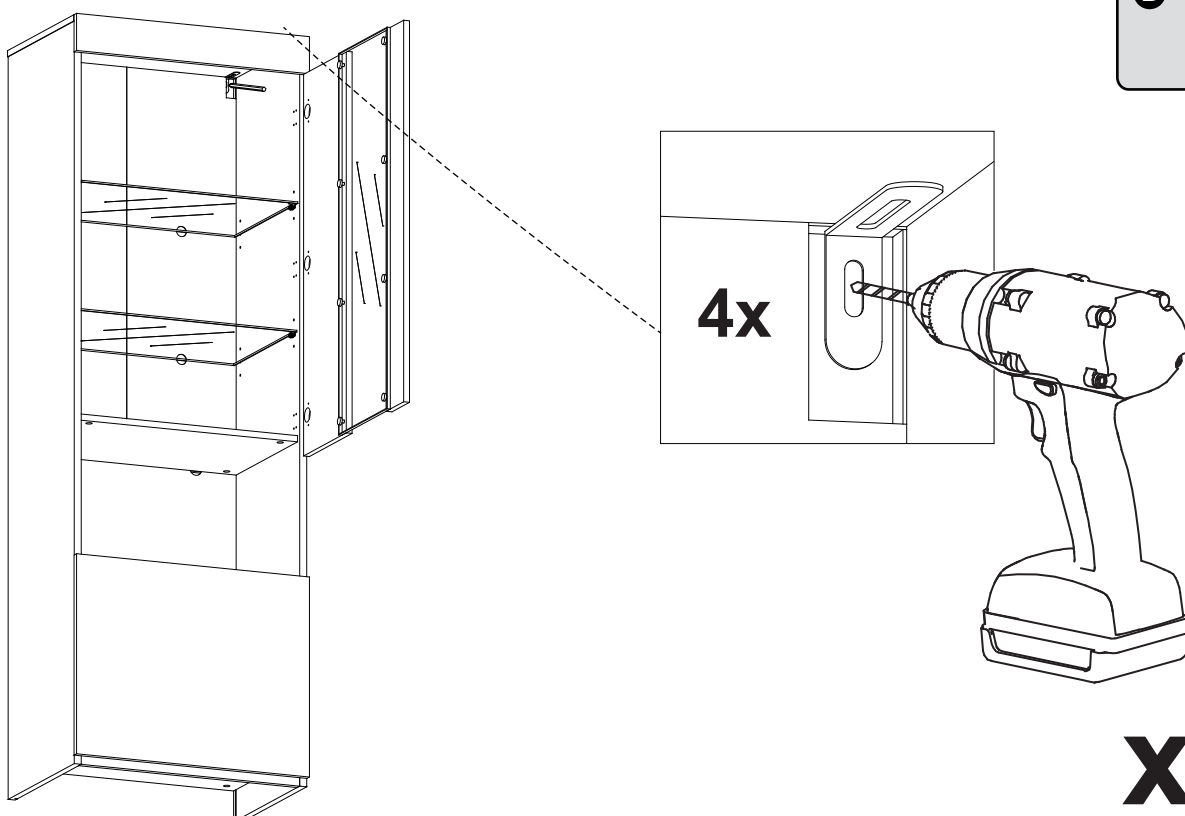
Assembly Instructions

Step 23



Connect the extended cable with the power cable.

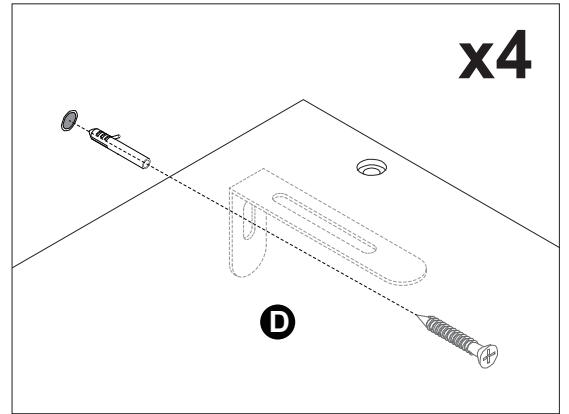
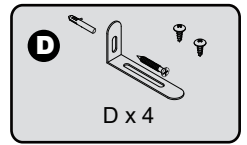
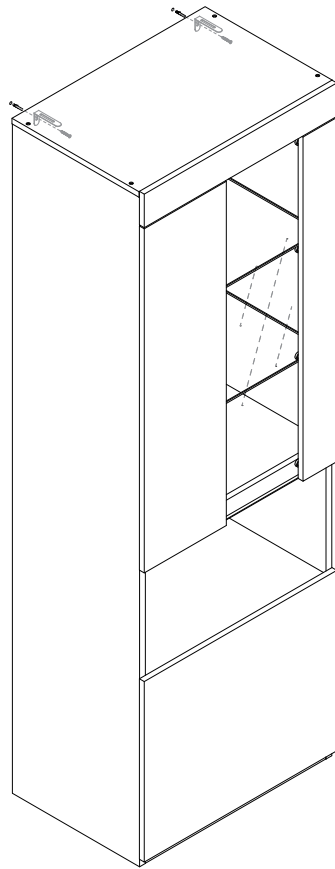
Step 24



Drill holes on the wall through wall attach bracket (D).

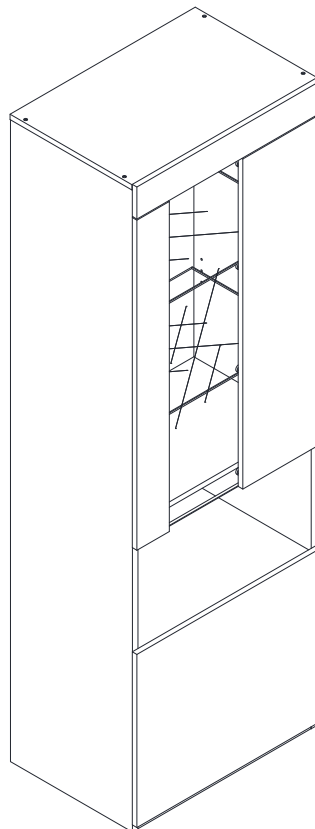
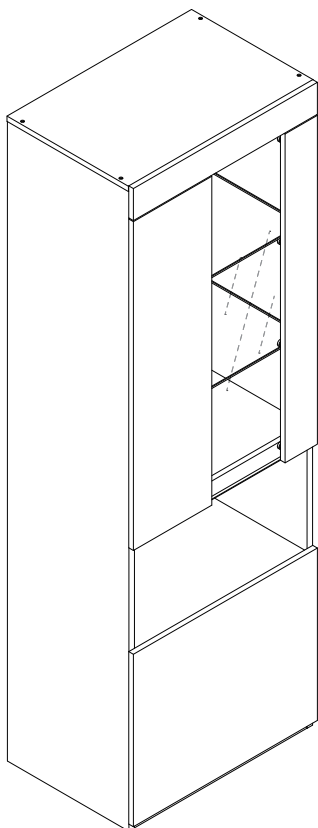
Assembly Instructions

Step 25



x2

Insert wall plugs into the wall and secure the bookcase to the wall using screw (D).



Assembly is completed.

A Guide to Wall Mounting & Fixings

Important note:

If plastic wall plugs (rawl plugs) are supplied with your product, e.g.:



- these are only suitable for use in masonry walls.

If you are in any doubt about the correct wall plugs for your wall, seek professional advice.


Failure of the product due to using the incorrect fixings is the responsibility of the installer.



Important: when drilling into walls always check that there are no hidden wires or pipes etc.

Make sure that the screws and wall plugs being used are suitable for **supporting your unit**. **Consult a qualified tradesperson if you are unsure.**

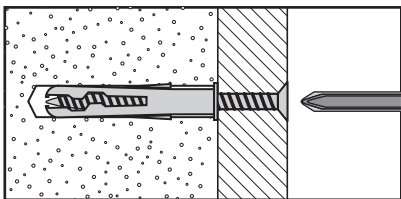
Hints:

- 1: General rule:  always use a larger screw and wall plug if you are not sure.
- 2: Ensure you use the recommended drill bit to match the wall plug and hole size.
- 3: Ensure you drill the hole horizontally; do not force the drill or enlarge the hole.
- 4: Take extra care when drilling high walls, ceilings and ceramic tiles. Ensure wall plugs are inserted beyond the thickness of the ceramic tiles to avoid the tiles splitting or cracking.
- 5: Ensure wall plugs are well fitted and are a tight fit in the drilled hole.

Types of walls

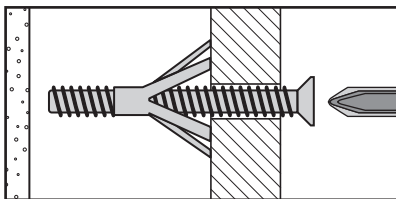
You can use one of the following types of wall plug if your walls are made of brick, breeze block, concrete, stone or wood.

No.1 "General Purpose" wall plug



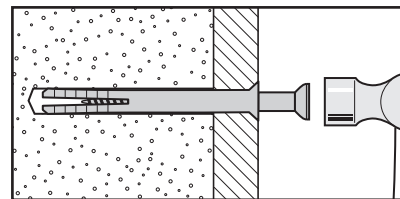
Generally aerated blocks should not be used to support heavy loads, use a specialist fitting in this case. For light loads, general purpose wall plugs can be used.

No.3 "Cavity Fixing" wall plug



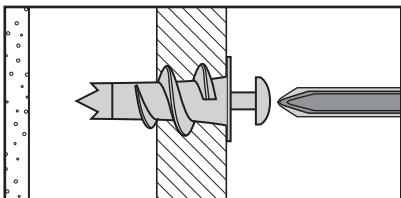
For use with plasterboard partitions or hollow wooden doors.

No.5 "Hammer Fixing" wall plug



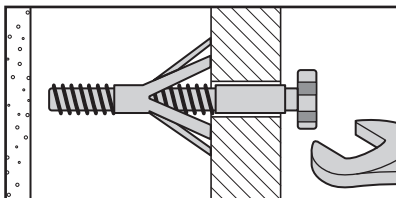
For use with walls stuck with plasterboard. The hammer fixing allows it to be fixed to the wall rather than the plasterboard. Always check the fixing is secure to the retaining wall.

No.2 "Plasterboard" wall plug



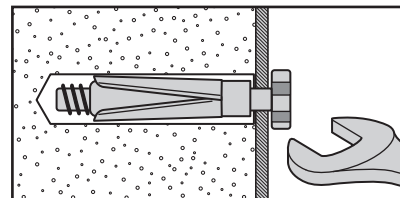
For use when attaching light loads onto plasterboard partitions.

No.4 "Cavity Fixing - Heavy Duty" wall plug



For use when fitting or supporting heavy loads such as shelving, wall cabinets and coat racks.

No.6 "Shield Anchor" wall plug - heavy loads



For use with heavier loads such as TV and HiFi speakers and satellite dishes etc.



Care & Maintenance

Safety: always check the fitting and location to ensure your safety in and around the home.

Fitting: from time to time check the fitting to ensure the wall plugs or screws do not become loose.