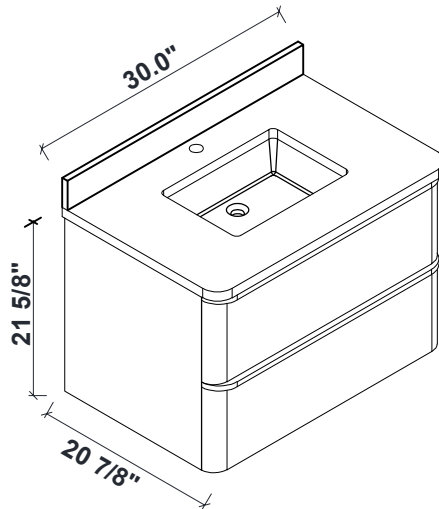
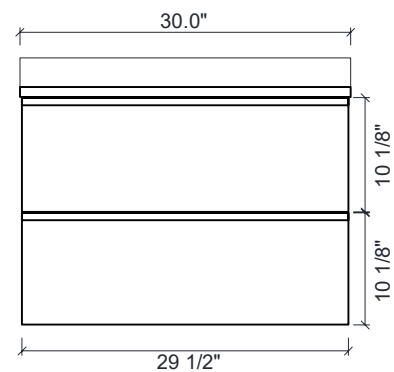
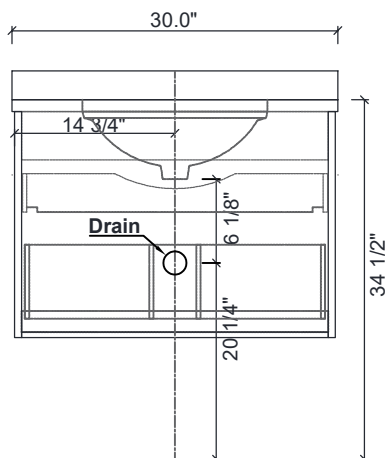
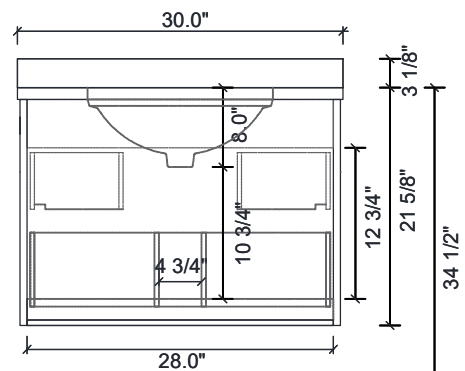
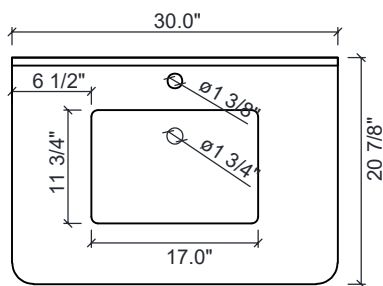


# Lucas 30 Floating Vanity Installation Instruction



## DIMENSIONS



### **WARNING !**

*In the hole on the wall, please be sure to be careful to avoid the internal cables and pipelines.*



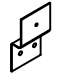


### **MATERIALS & TOOLS**

*Safety glasses, Pencil, Level, Tape measure, Stud Finder, Assorted screwdrivers, Assorted Wrenches, Drill, Screw gun, Caulking gun, Hammer, Screws, Nail anchors/Molly screws.*

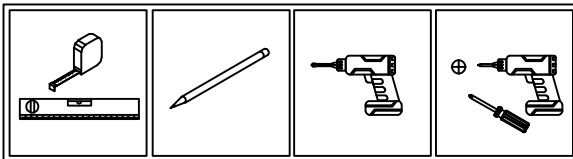
# Vanity Installation

## Step 1

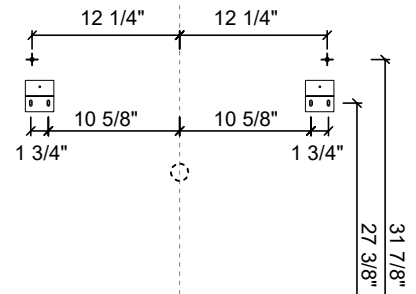
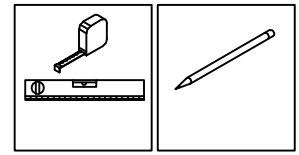
### PARTS

 A x2	 6*45 B x6	 C x2	 D x6
 3.5*15 E x2			




### TOOLS REQUIRED

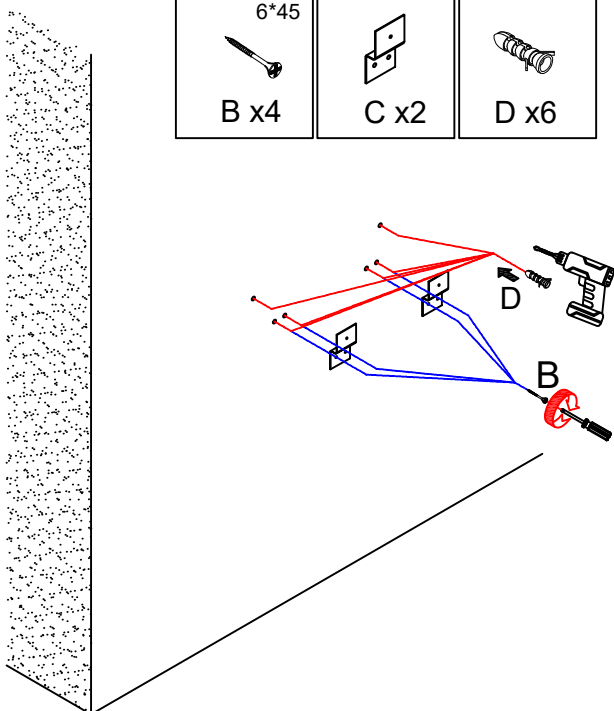


## Step 2

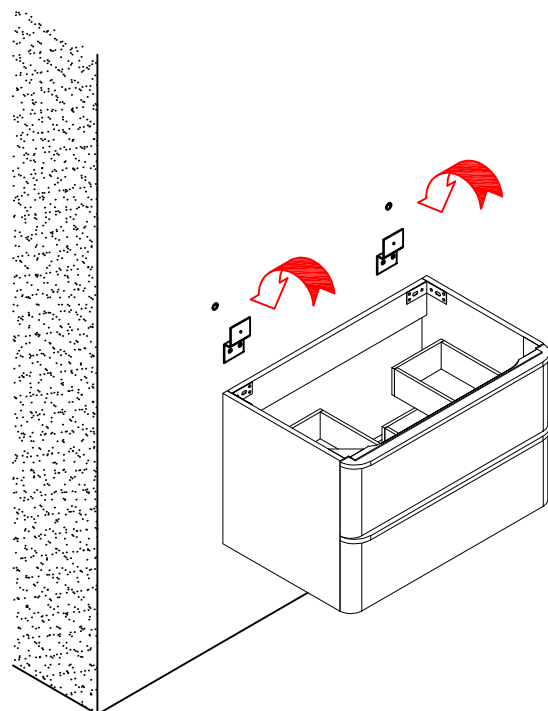


## Step 3

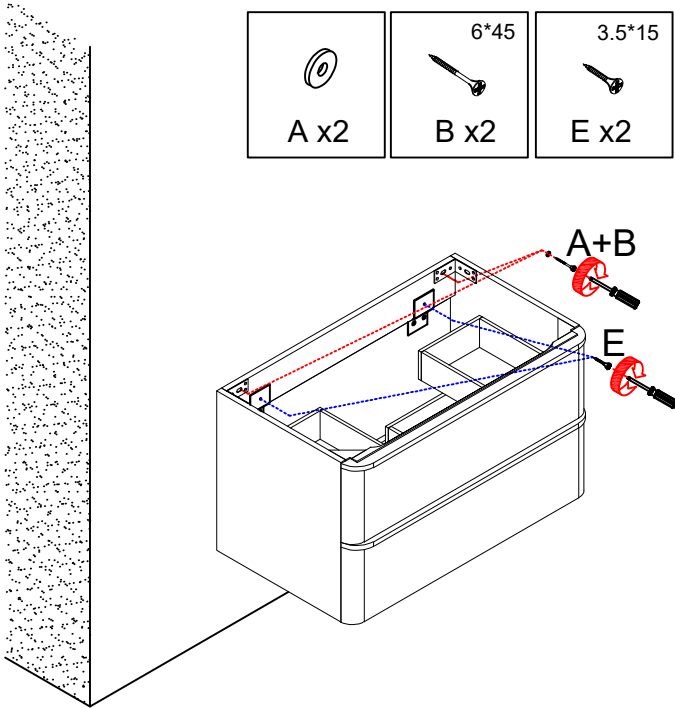
 6*45 B x4	 C x2	 D x6
---	---	---



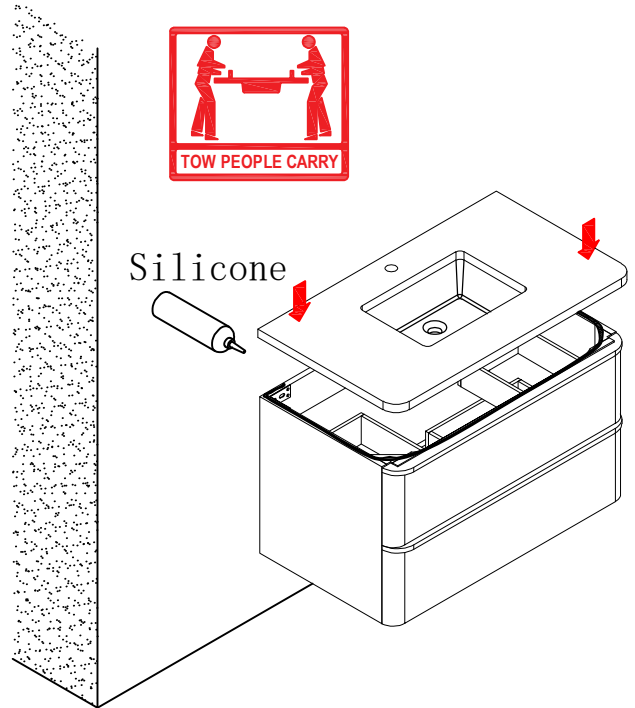
## Step 4



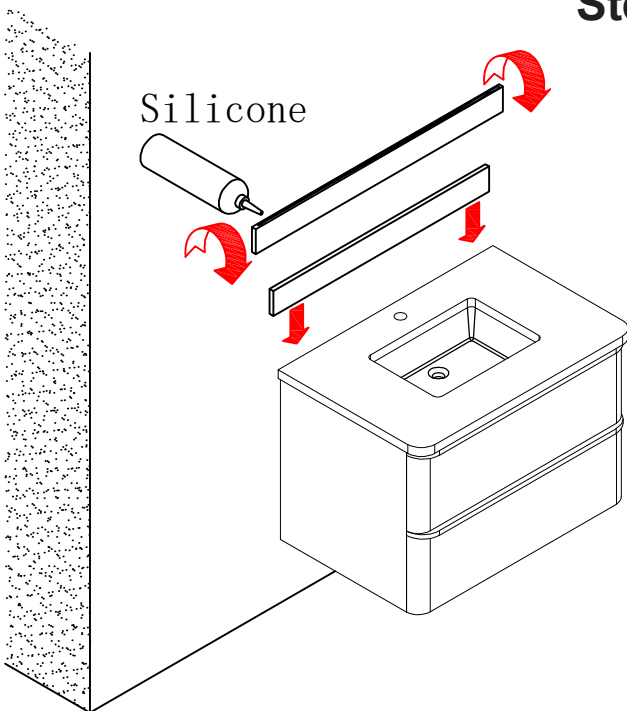
### Step 5



### Step 6



### Step 7



### Step 8

