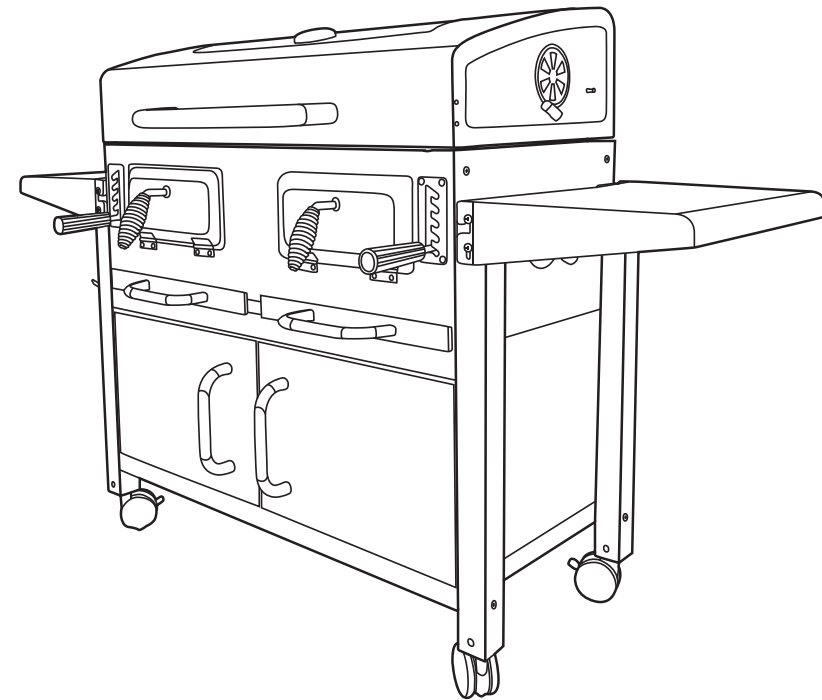


PRODUCT MANUAL

DOUBLE DOOR FURNACE



IMPORTANT SAFETY INSTRUCTIONS

Please operate in strict accordance with the instructions to avoid damage to the oven or personal injury and property loss to the user.



BEWARE OF FIRE

Ensure that there are no flammable and explosive objects around. The barbecue oven should be at least 4 meters away from the flammable and explosive objects. When using, place a burner near the oven. Do not use gasoline, alcohol and other articles as the ignition agent of barbecue charcoal.



HIGH TEMPERATURE

Children and pets should keep a certain distance during use to avoid scalding. An adult is required to watch and be cautious. After use, please wait until the grill is completely cooled before moving and cleaning.



ORGANIC PEROXIDES

The product is only used in well ventilated outdoor environment. The burning of carbon indoors may produce colorless and odorless carbon monoxide, which may cause poisoning. Please do not use it in closed spaces such as home, car, tent, etc.



USE PROTECTIVE GLOVES

Wear insulating gloves and other protective tools to avoid scalding.



BE CAREFUL

The temperature shall not exceed 260 ° C (500 ° F) during use. If the temperature exceeds this degree, you need to reduce the carbon in the carbon basin.

Please pay attention to avoid being cut or scratched by the edge during installation and use. Do not use too much force when installing the screws. Tighten them gently, otherwise the surface coating may be damaged.



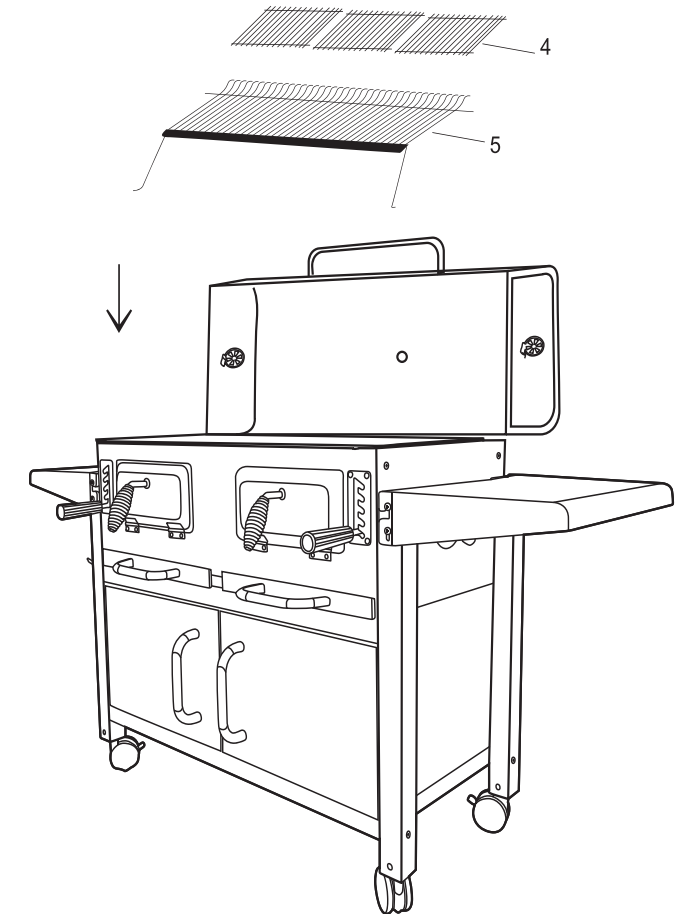
FORCE/PROMPT

Before the first use, brush a layer of vegetable oil on the baking mesh to improve the baking flavor and make the whole baking more durable. (Failure to follow this procedure may result in coating damage or metallic taste in food)

After use, the baking net should be cleaned at the right time, which can be gently wiped with steel wire ball, or cleaned with a special oven brush. After cleaning and drying, it should be placed in a ventilated place for drying.

INSTALLATION INSTRUCTIONS

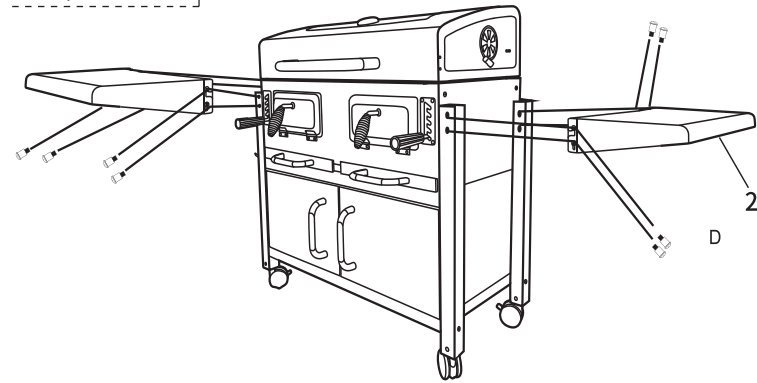
Step 23: install the insulation net, put into the grill.



INSTALLATION INSTRUCTIONS

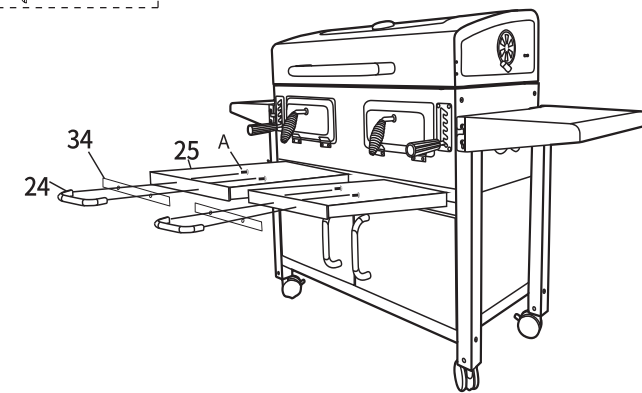
Step 21: install the left and right side tables (2) with 8 * D screws.

D  X 8PCS

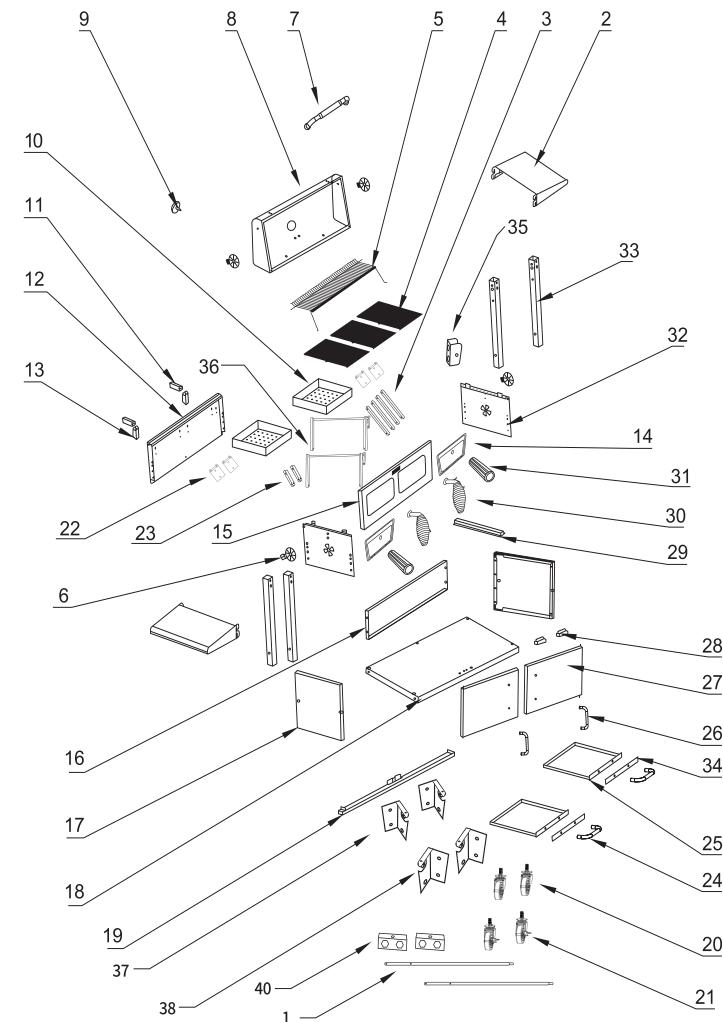


Step 22: install the oil pan handle (24) and the oil pan support sheet (26) on the oil pan (25) with 4 * A screw, then put the oil pan into the bottom of the furnace frame.










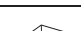
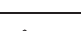
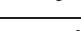
A  X 4PCS



EXPLODED VIEW OF DISASSEMBLY AND ASSEMBLY



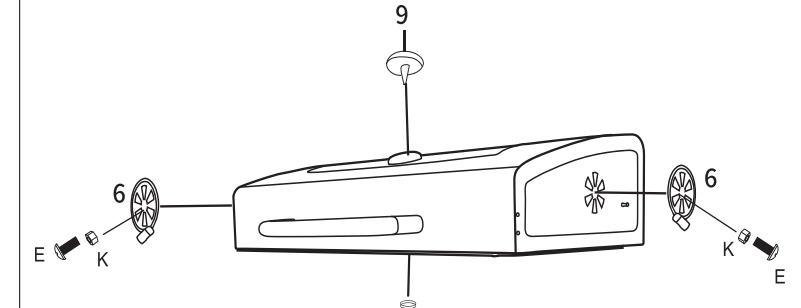
CORRESPONDING PARTS OF EXPLOSION DIAGRAM

NUMBER	PATTERN	QUANTITY	NAME
1		1	
2		2	Left and right side tables
3		8	
4		3	Baking net
5		1	Insulation mesh
6		4	Damper blade
7		1	Upper cover handle
8		1	Upper lid
9		1	thermometer
10		2	Charcoal pan
11		2	Upper cover chain
12		1	Furnace rear plate



INSTALLATION INSTRUCTIONS

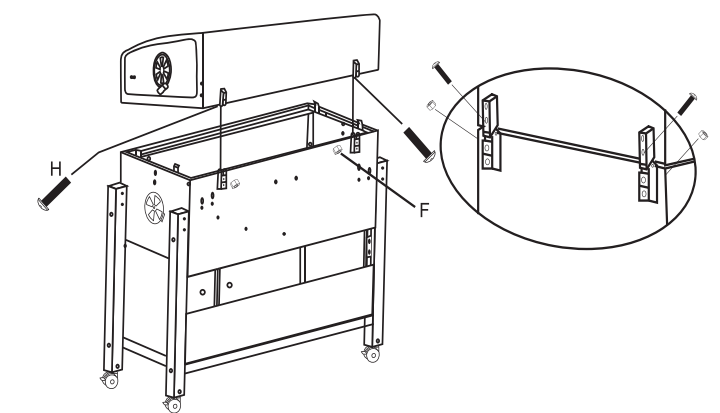
Step 19: install the thermometer (9) and thermometer support sheet (36) in the following order.

E  X 2PCS K  X 2PCS



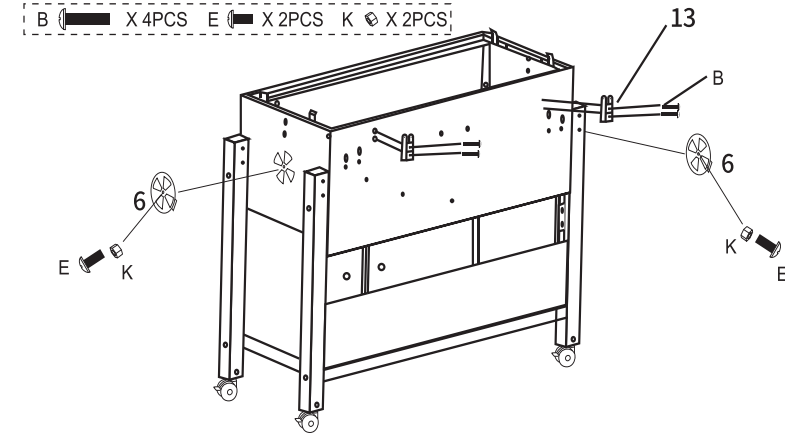
Step 20: with 2 * H Pin + 2 * G spring will be more chain furnace body and upper cover more chain together. The frame pushing hand (1) is installed on the foot tube with 4 * Q screws.

B  M6x40 4PCS F  4PCS

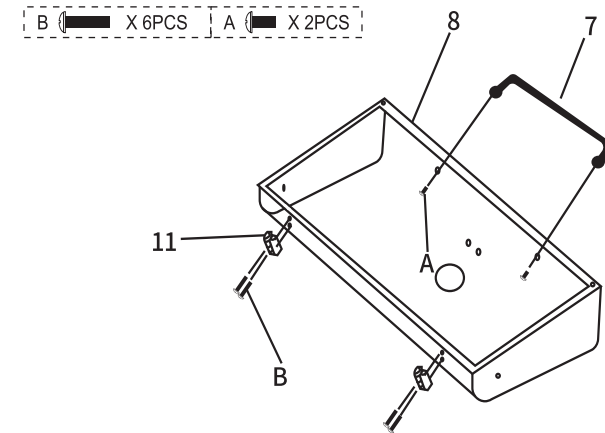


INSTALLATION INSTRUCTIONS

Step 17: with 4 * B screw furnace body chain (13) installed on the furnace body back plate tip: chain marked down for the furnace body chain chain.



Step 18: install the top cover hinge (11) on the back of the top cover with 4 * B screw. Install the upper cover handle (7) on the upper cover with 2 * B screw.



15

CORRESPONDING PARTS OF EXPLOSION DIAGRAM

NUMBER	PATTERN	QUANTITY	NAME
13		2	Furnace hinge
14		2	
15		1	Furnace front plate
16		1	Rear plate of frame
17		2	Frame side plate
18		1	Frame base plate
19		1	Upper crossbeam
20		2	Universal wheel
21		2	Universal wheel
22		4	
23		2	
24		2	Oil pan handle

4

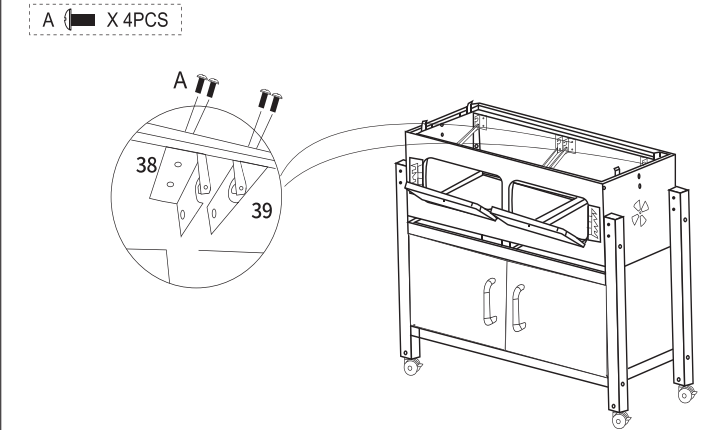
CORRESPONDING PARTS OF EXPLOSION DIAGRAM

NUMBER	PATTERN	QUANTITY	NAME
25		2	Oil drain pan
26		2	Door handle
27		2	door
28		4	magnet
29		1	Furnace support
30		2	Door handle
31		2	Lifting handle
32		2	Side plate of furnace body
33		4	Footcanal
34		2	
35		2	
36		2	

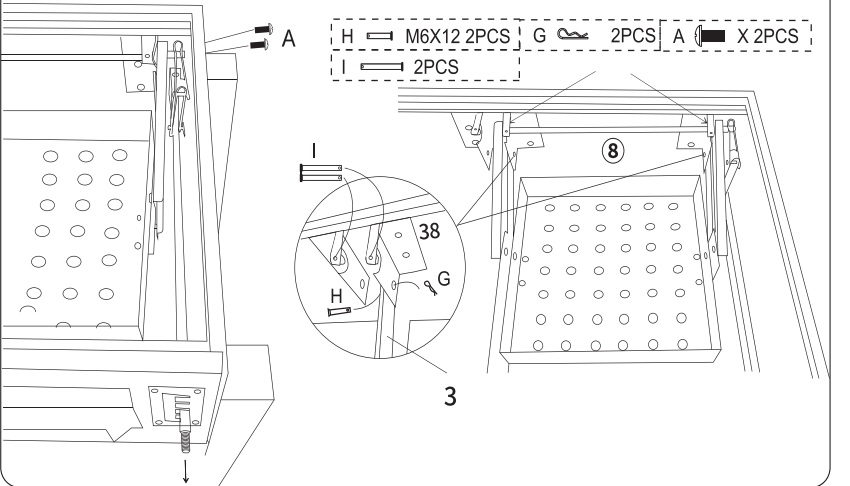
5

INSTALLATION INSTRUCTIONS

Step 15: fix the 38 39 to the furnace body



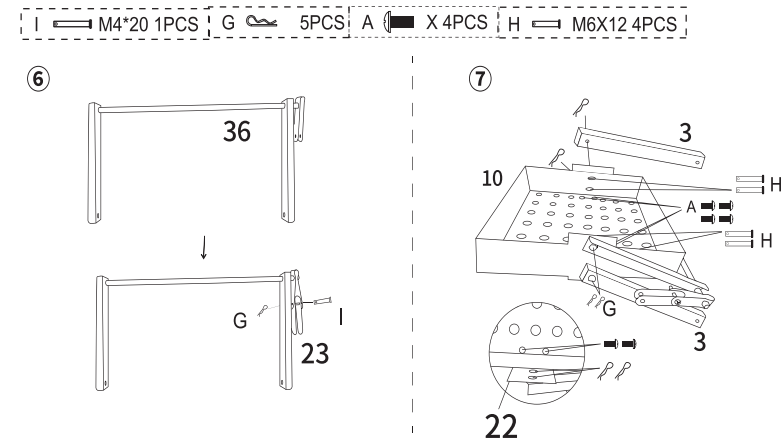
Step 12: Jam the whole ⑦ into the 38 on the furnace body. 3 connect 38.



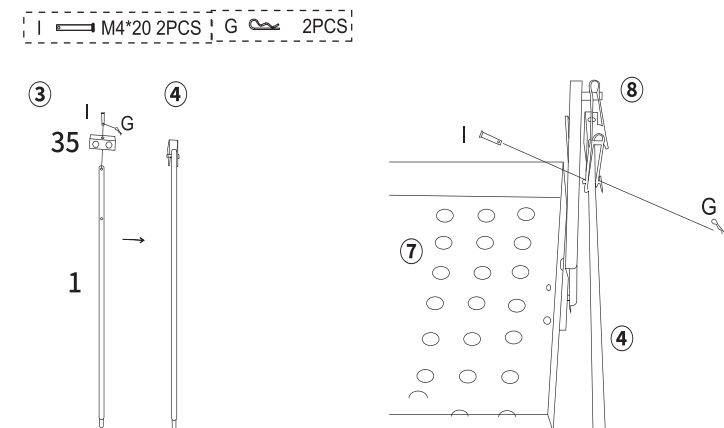
14

INSTALLATION INSTRUCTIONS

Step 13: Install ⑥ first, then ⑦ as shown below



Step 14: Install ③ first, then ⑦ and ④ as shown below



13

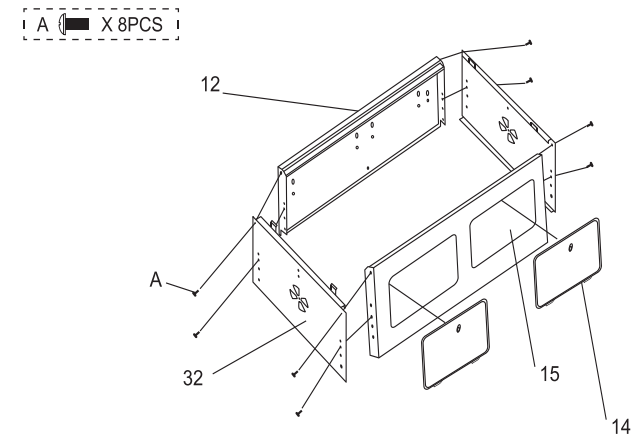
CORRESPONDING PARTS OF EXPLOSION DIAGRAM

NUMBER	PATTERN	QUANTITY	NAME
37		2	
38		2	
A		61	Slotted screw with collar: M6 * 14
B		10	Slotted screw with collar: M6 * 40
C		4	Slotted screw with collar: M6 * 70
D		8	Cross recessed step screw: M6 * 14
E		12	Slotted screw with collar: M4 * 8
F		2	M6 nut
G		18	Circlip
H		12	M6*12 pin shaft
I		10	M4*20 pin shaft
J		8	Slotted screw with collar: M4 * 16
K		12	M4 nut
L		4	Door Jack

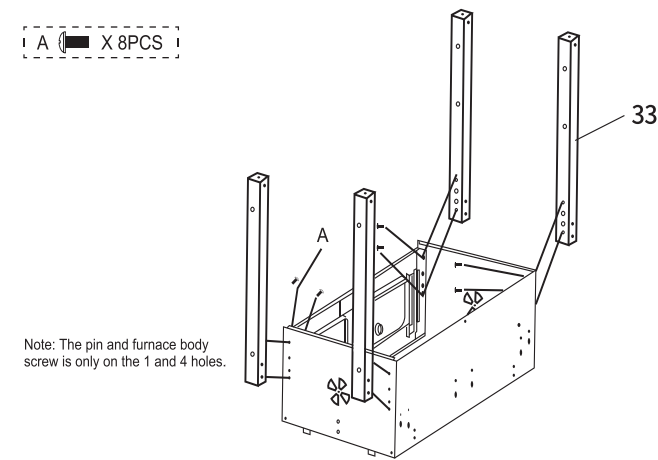
6

INSTALLATION INSTRUCTIONS

Step 1: Screw the front plate (15) of the furnace body with 8 * A screws, Furnace side plate (32), furnace rear plate (12), the four plates are assembled into the furnace frame.



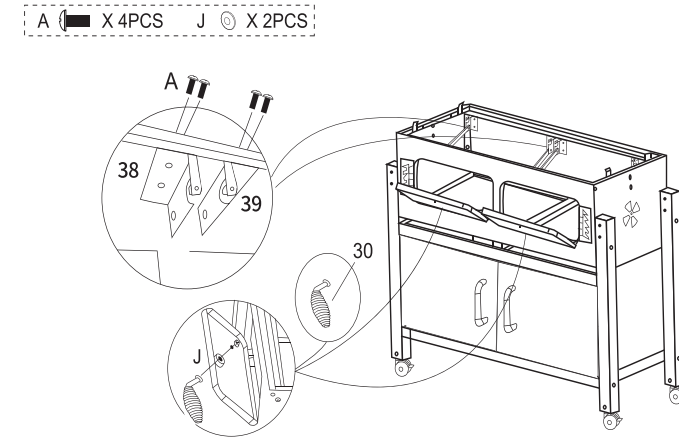
Step 2: splice the pin tube (33) onto the furnace frame with 8 * A screw.



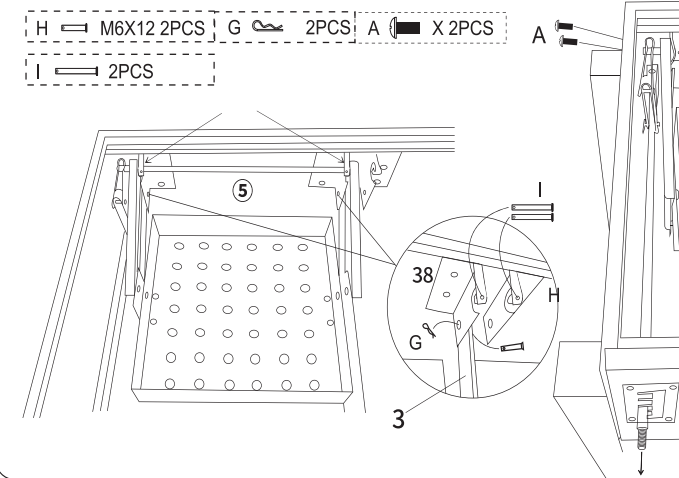
7

INSTALLATION INSTRUCTIONS

Step 11: fix the 38 39 to the furnace body.



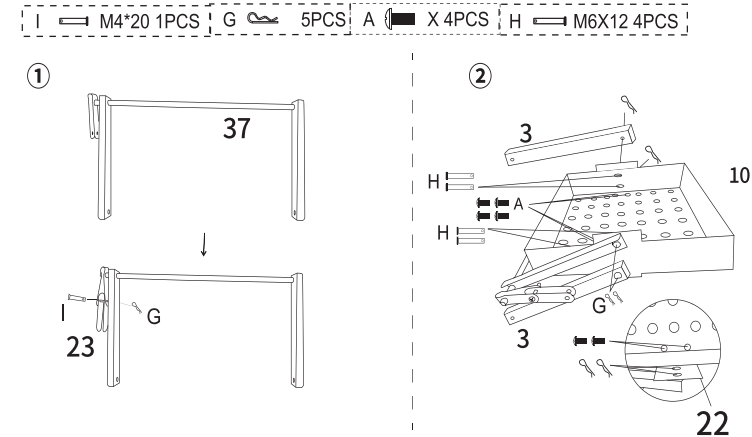
Step 12: Jam the whole ⑤ into the 38 on the furnace body. 3 connect 38.



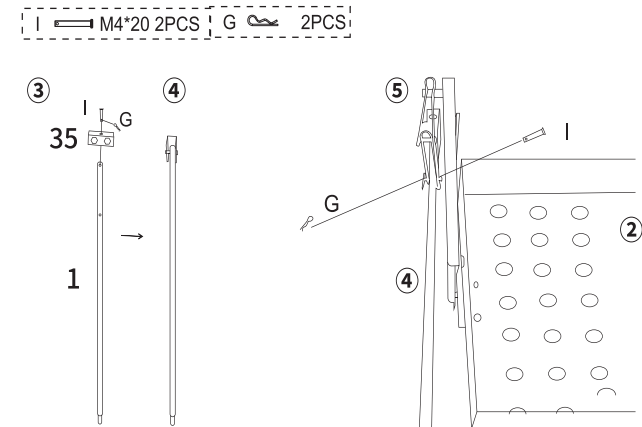
12

INSTALLATION INSTRUCTIONS

Step 9: Install ① first, then ② as shown below



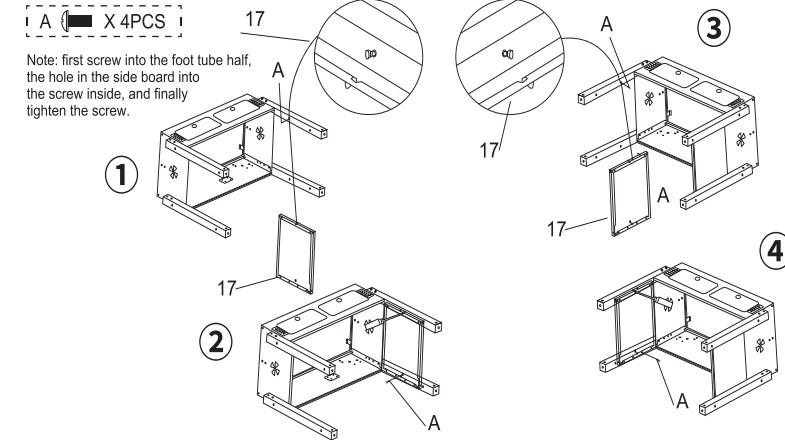
Step 10: Install ③ first, then ② and ④ as shown below



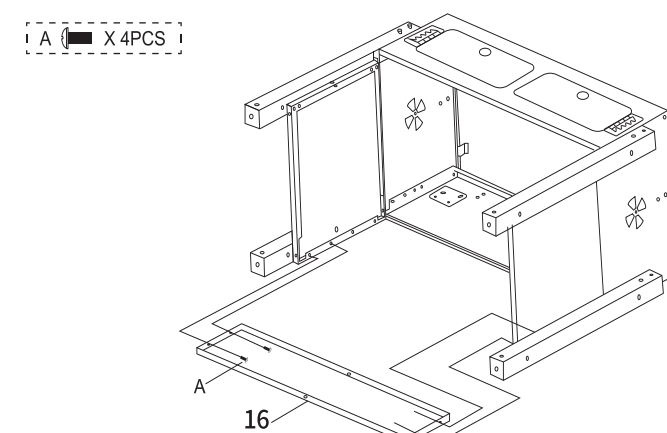
11

INSTALLATION INSTRUCTIONS

Step 3: assemble the frame side plate (17) on the left and right foot tubes with 4 * A screws.



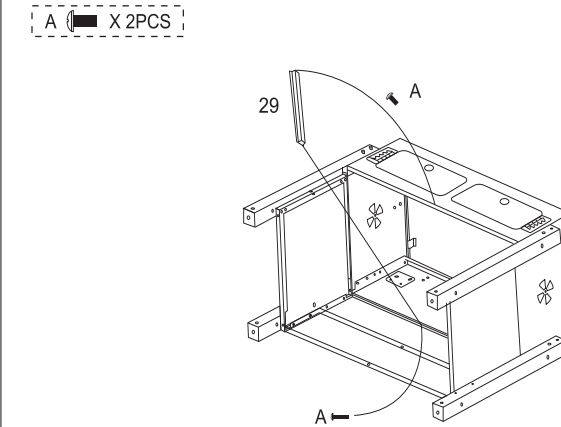
Step 4: connect the frame back plate (16) to the pin tube with 4 * A screws.



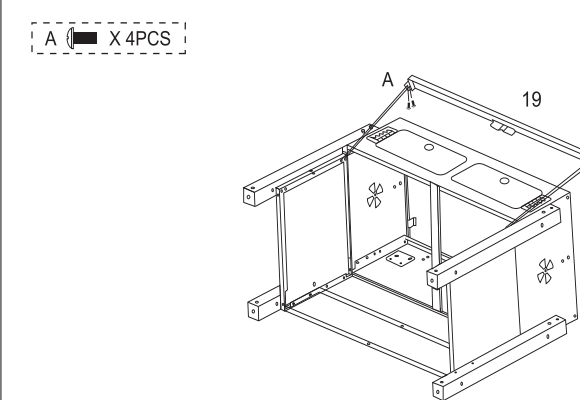
8

INSTALLATION INSTRUCTIONS

Step 5: with 1 * A screw + 1 * B screw, the furnace body support (29) is arranged on the front plate and the back plate of the furnace body.



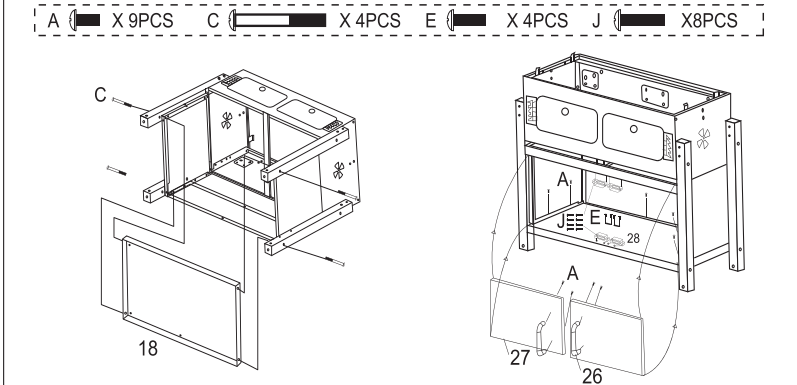
Step 6: Install the upper crossbeam (19) with 4 * A screw on the front foot tubes on the left and right sides.



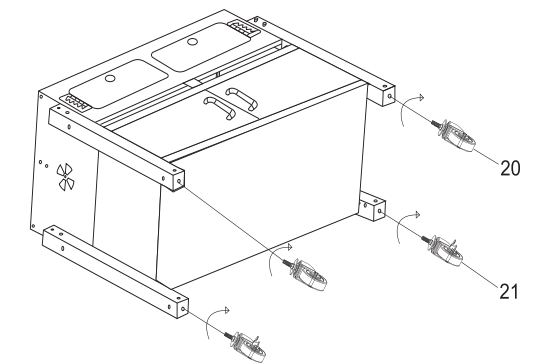
9

INSTALLATION INSTRUCTIONS

Step 7: install the frame bottom plate (18) at the bottom of the frame with 4 * C screws. Use 5 * A screw to tighten the connection holes between the left and right side plates of the frame and the bottom plate of the frame, 2 on the left and right sides and 1 on the back. The Magnet (30) is mounted on the frame bottom plate with a 4 * E screw. Install the door (27) and install the door handle (26) with 4 * A screw.



Step 8: The Universal Wheel (20+21) is mounted on the right foot tube.



10