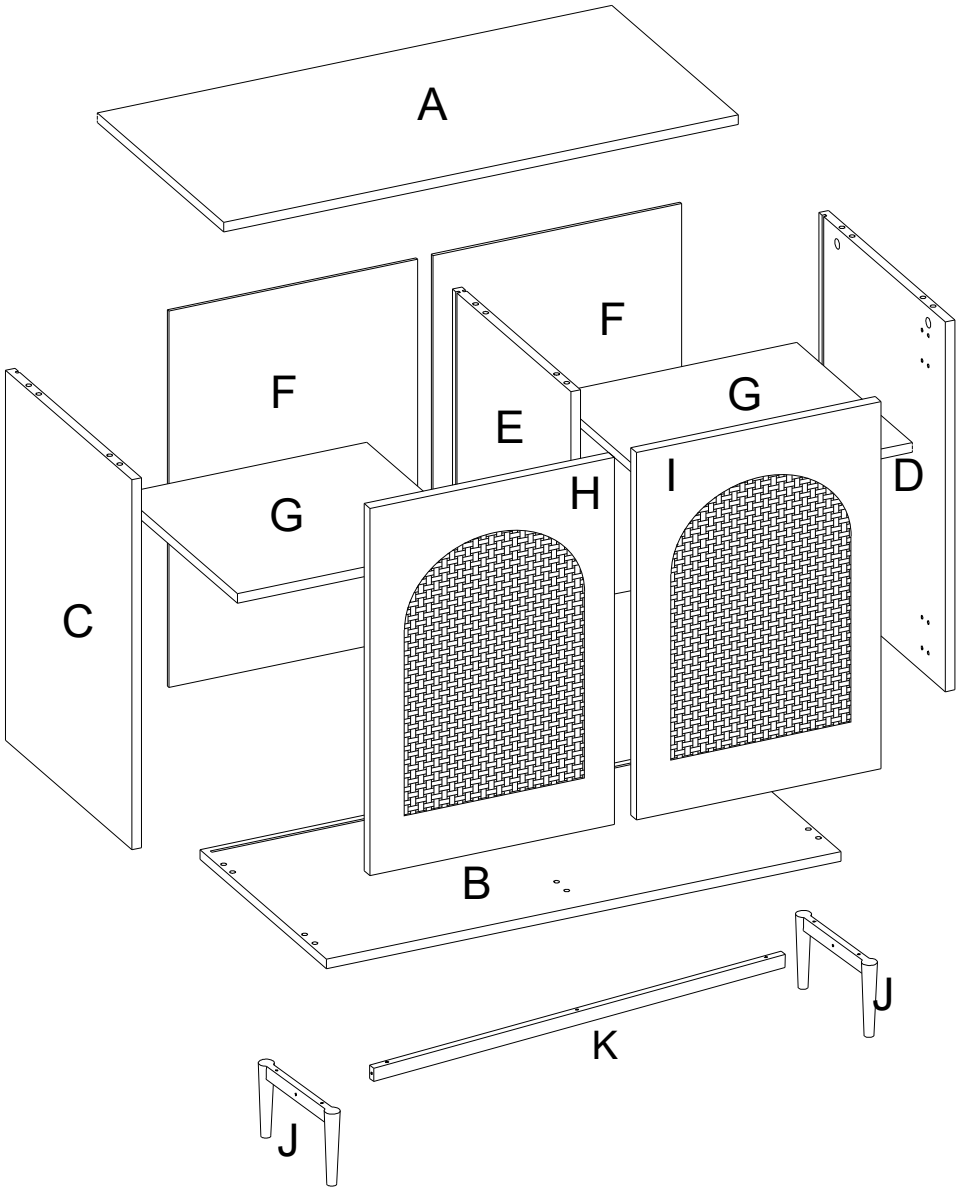


NOTE:

This brochure contains IMPORTANT safety info. Please read and keep for future reference.



OVERVIEW

MAINTENANCE AND WARNING

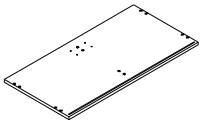
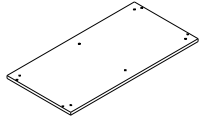

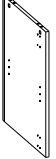

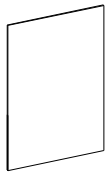
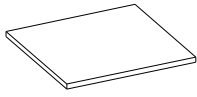
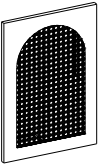
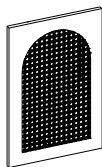
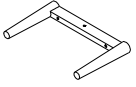

- Keep furniture away from heat sources.
- Do not clean furniture with harsh cleaner or polishes. Do not use detergents, Solvents, abrasives, spray packs or leather cleaner. Use non-color mild soap with warm water to clean spills (Mix 1:10 soap to water)
- Do not place furniture under direct sunlight, material will possibly fade over time.
- Do not use on site dry Cleaning machine. Children should not climb or jump on the furniture.
- Do not write on furniture that is not protected by a padded barrier .
- Not for commercial use, only for residential use.



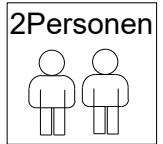
Weight Limitation

80LBS

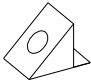

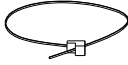

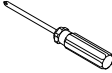
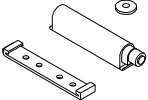
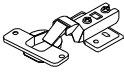
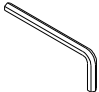

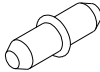
PARTS LIST 1

A 	B 	C 	D 
1 PC	1 PC	1 PC	1 PC
E 	F 	G 	H 
1 PC	2 PCS	2 PCS	1 PC
I 	J 	K 	
1 PC	2 PCS	1 PC	

Persons Required For Assembly:

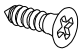
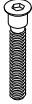
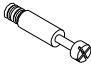
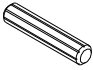






PARTS LIST 2

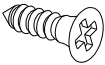

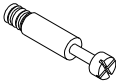
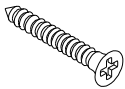
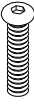

⑨	x12	⑩	x6	⑪	x2	⑫	x4	⑬	x1
									
		Ø20							
⑭	x2	⑮	x4	⑯	x1	⑰	x4	⑱	x8
									
				M4		Ø8*30mm			

Be sure to inspect all packing material carefully for small parts, that may have come loose inside the carton during shipment.

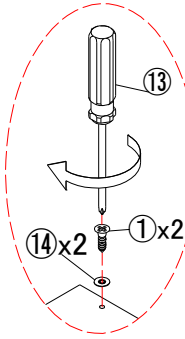
HARDWARE LIST

①	x46	②	x6	③	x6	④	x12	⑤	x6
									
M3.5*14		M7*50		Ø6*35mm		Ø8*30mm		Ø15*11mm	
⑥	x4	⑦	x7	⑧	x2				
									
M4*35		M6*50		M6*40					

SPARE

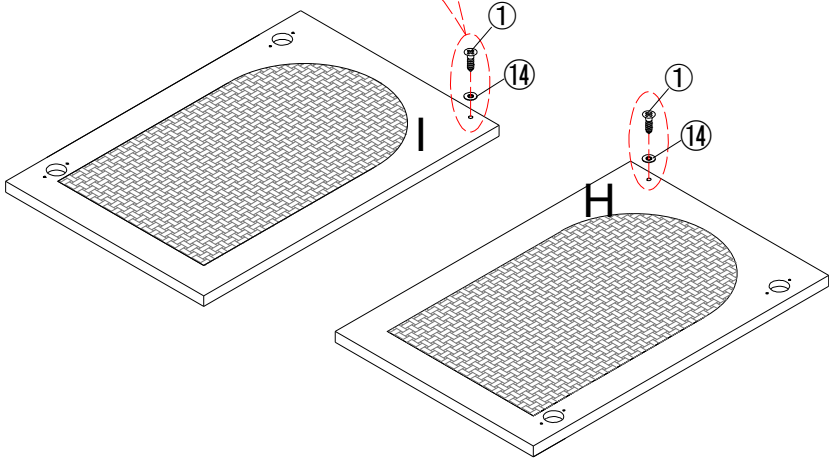
①	x1	②	x1	③	x1	⑥	x1	⑦	x1
									
M3.5*14		M7*50		Ø6*35mm		M4*35		M6*50	
⑧	x1								
									
M6*40									

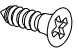
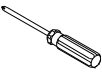
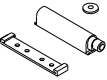
Be sure to inspect all packing material carefully for small parts, that may have come loose inside the carton during shipment.



!

When installing hinge, please pay attention to distinguish the category of hinge.



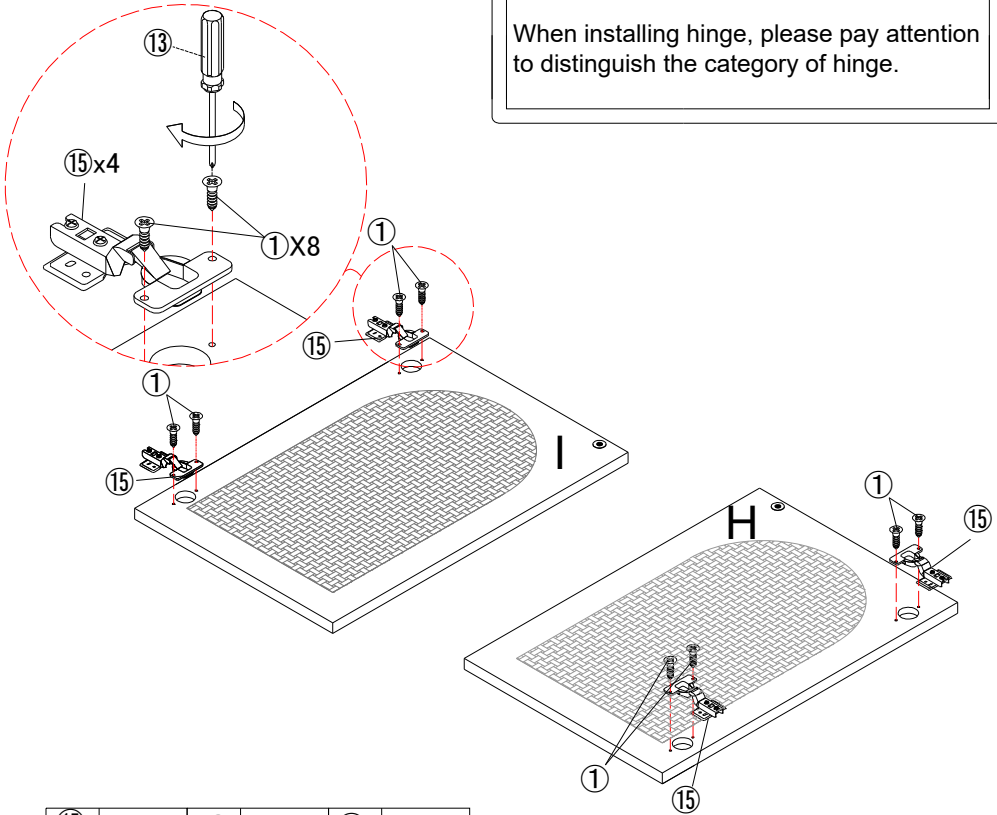
①	x2	⑬	x1	⑭	x2
					
M3.5*14					

STEP1:

picture shows. Use bolt ① to attach gasket ⑭ to door H&I, tighten bolts with screwdriver ⑬.

!

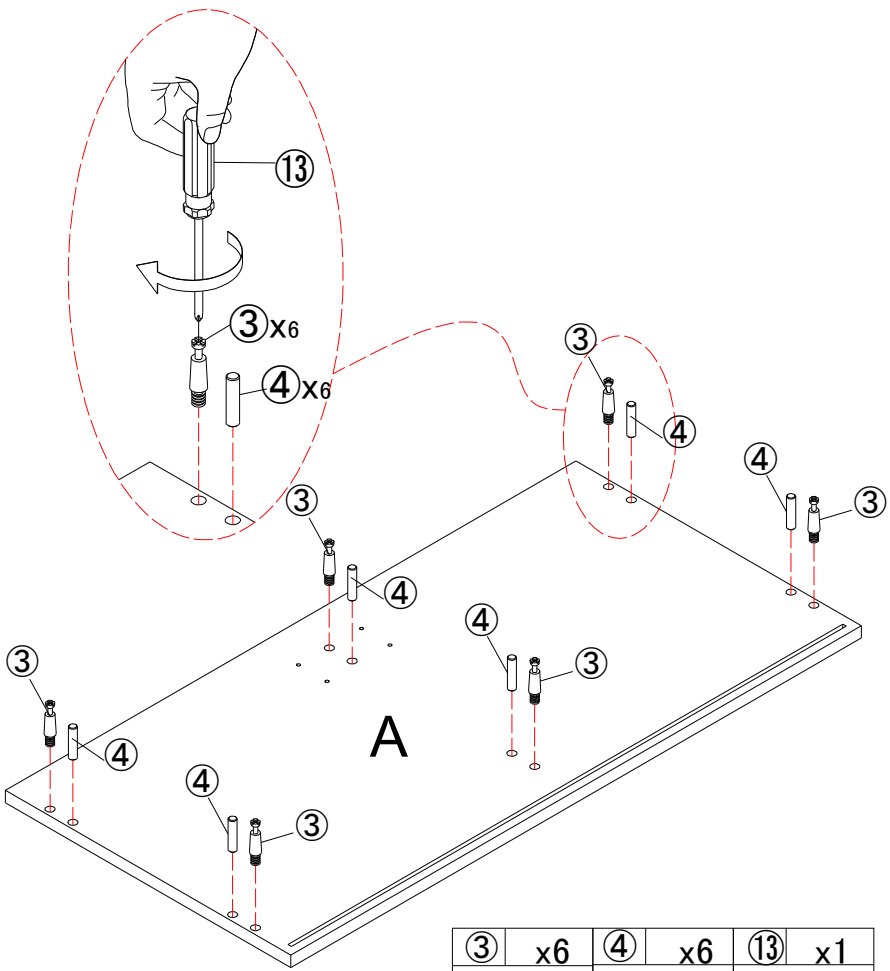
When installing hinge, please pay attention to distinguish the category of hinge.



⑮	x4	①	x8	⑬	x1
		M3.5*14			

STEP2:

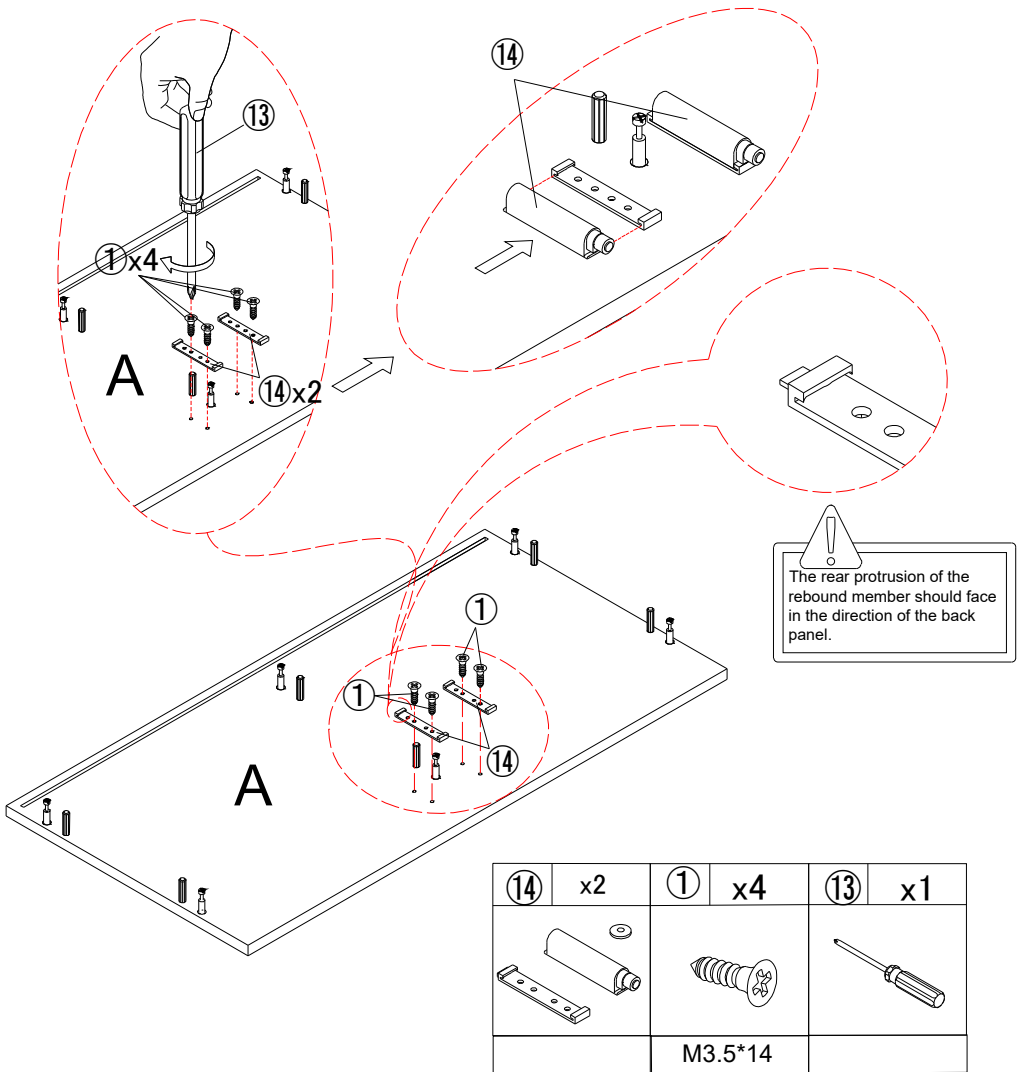
Use screw ① to attach the hinges ⑮ to door panel (H)&(I), tighten screws with screwdriver ⑬.



③	x6	④	x6	⑬	x1
Ø6*35mm		Ø8*30mm			

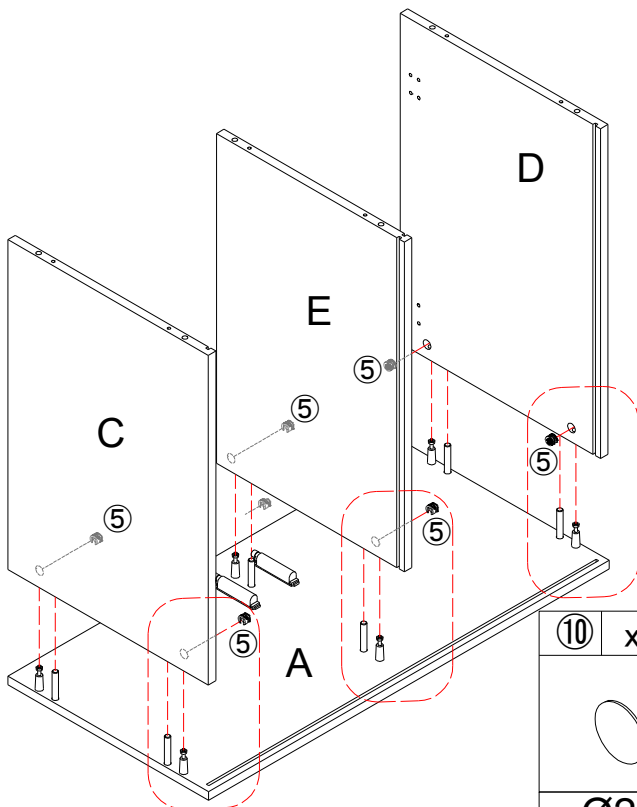
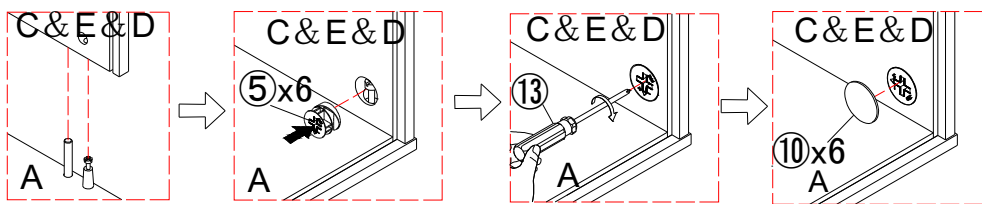
STEP3:



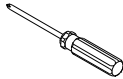
Prepare for part A. Align the holes in part A, insert wooden dowel ④ by hand, tighten with screwdriver ⑬ and tighten ③.



STEP4:

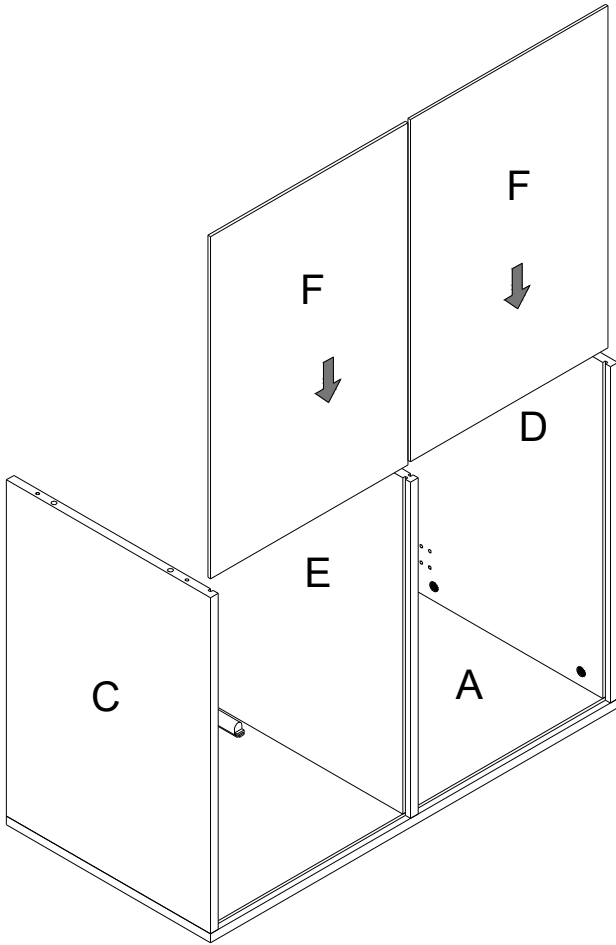
picture shows. Use bolt ① to attach rebound device ⑭ to top panel, tighten bolts with screwdriver ⑬.



⑩	x6	⑤	x6	⑬	x1
					
Ø20		Ø15*11mm			

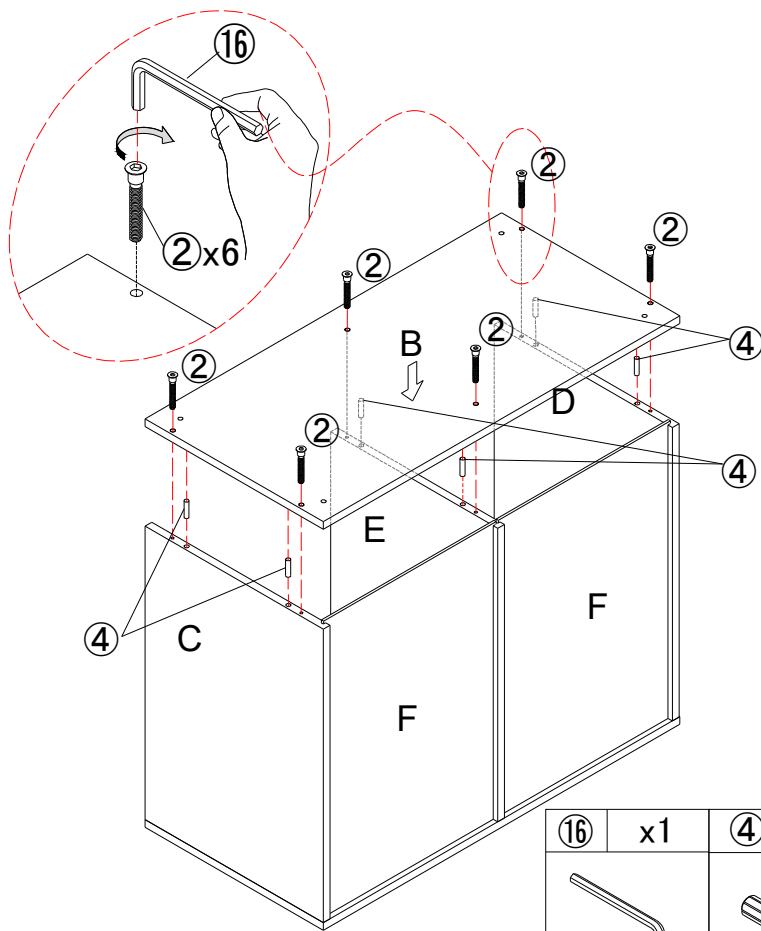
STEP5:

Connect the part A with part (C,D,E). align the hole in the part (C,D,E),insert the bolt ③ and wooden dowel ④ in part A into part(C,D,E), and tighten the nuts⑤ with a screwdriver⑬.cover ⑩ the screw hole after installation is finished. Make sure the groove is in same side as picture show.



STEP6:

slide in the part (F) into the groove in part C,E and E,D. make sure they are also in groove in part A.

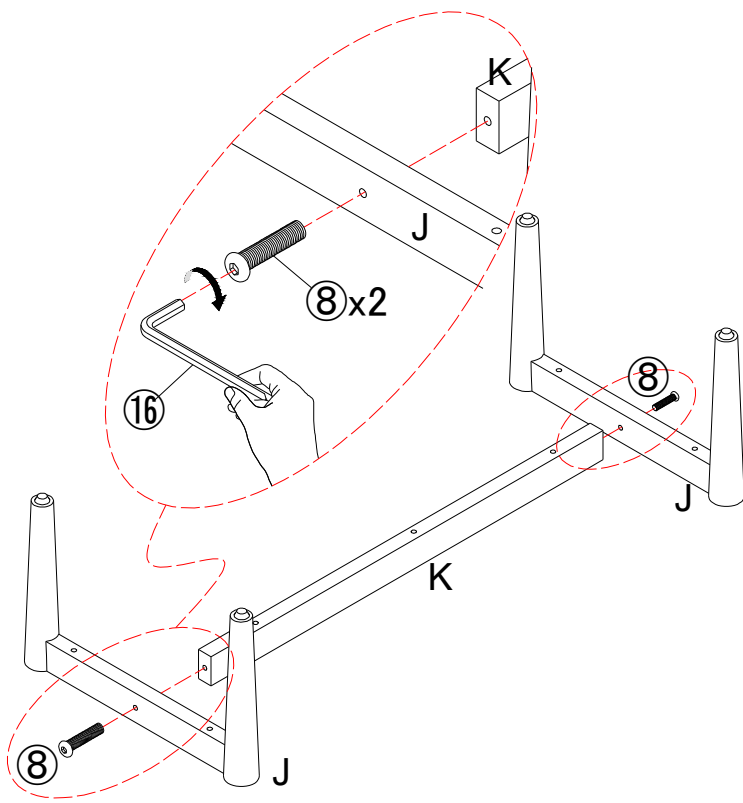


⑩⑥	x1	④	x6	②	x6
M4		Ø8*30mm		M7*50	

STEP7:

Connect the part B the pre-assembled unit in step 6. Insert the wooden dowel ④ into the part (C,E,D) as the picture show.

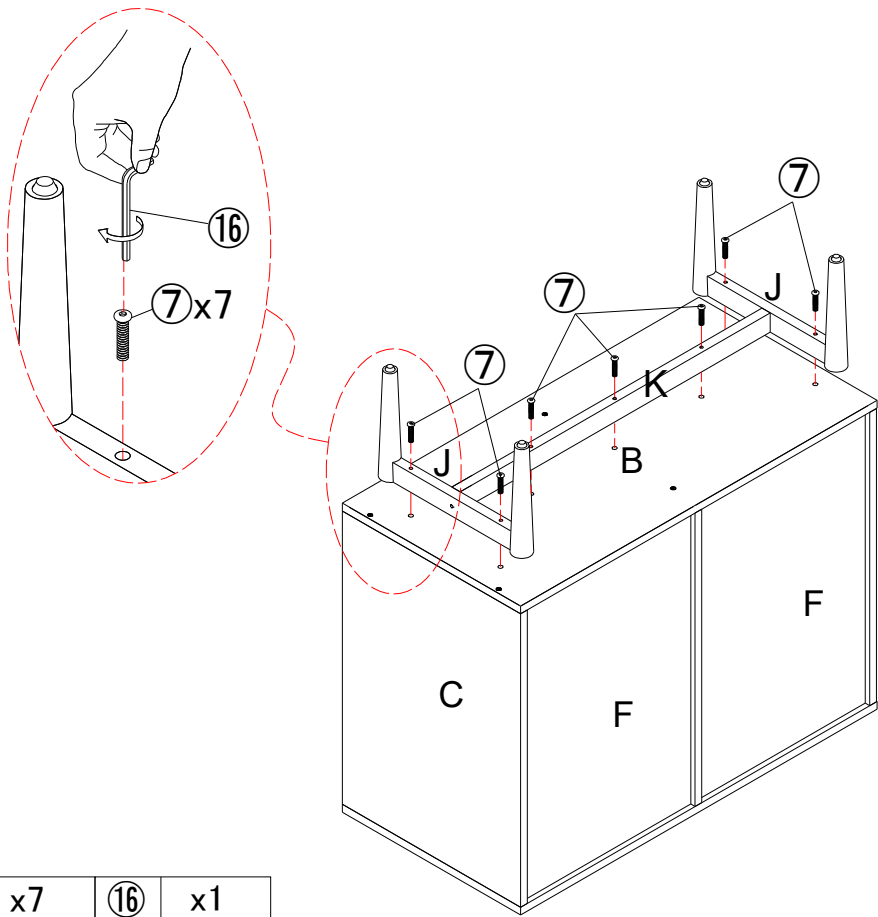
Then align the holes in part B, Insert screw ② and push it down so that it connects to parts (C,E,D). Next, and tighten the screw ② with an Allen key ⑩⑥.



⑧	x2	⑩⑥	x1
M6*40		M4	

STEP8:

Prepare the leg racks. Align the holes of the J part with the holes of the K part, install the screw ⑧, and tighten the screw ⑧ with the allen key ⑩⑥.

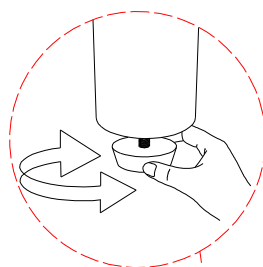
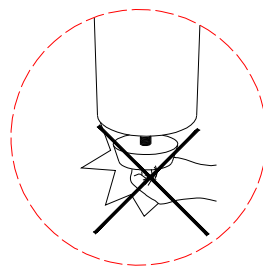
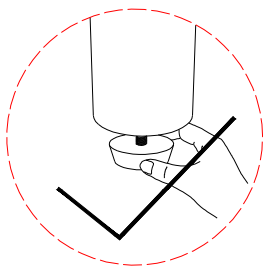



⑦	x7	①⑥	x1
M6*50		M4	

STEP9:

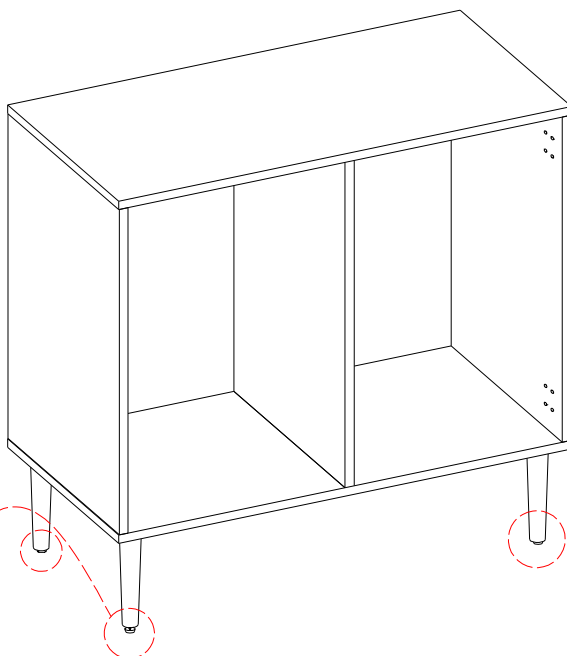
connect the leg frame to the cabinet.

Attach the leg frame to the pre-assembled unit in step 7 with a screw ⑦ and tighten with a allen key①⑥.

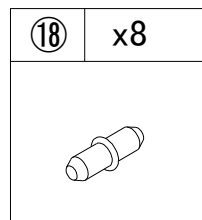
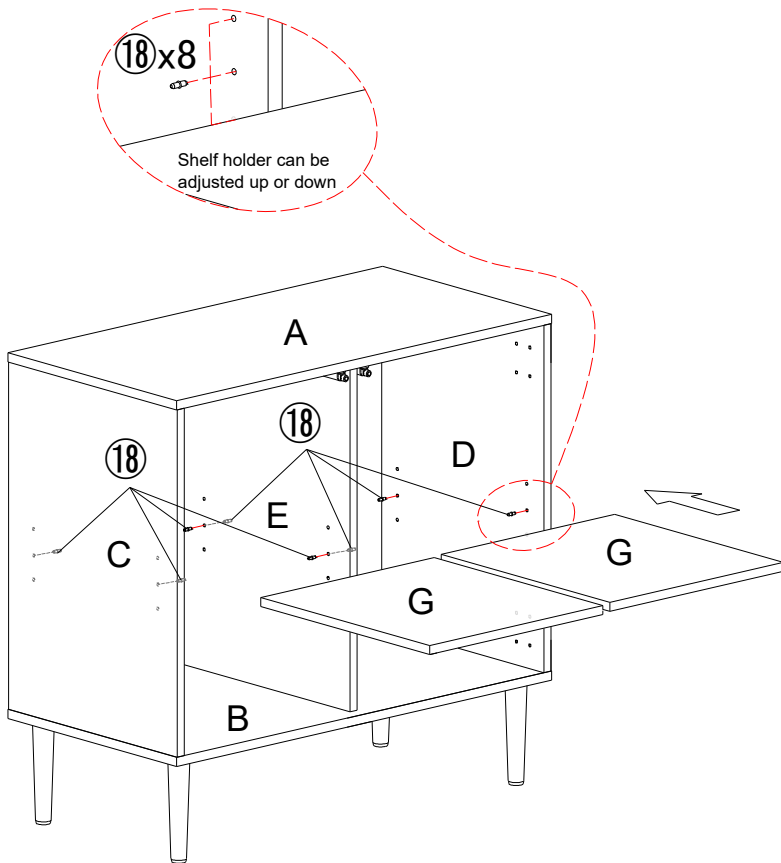




Attention:
After installation, adjust the adjustable leveler to keep the cabinet balanced.
Be sure to check all packing material carefully for small parts, which may have come loose inside the carton during shipment.

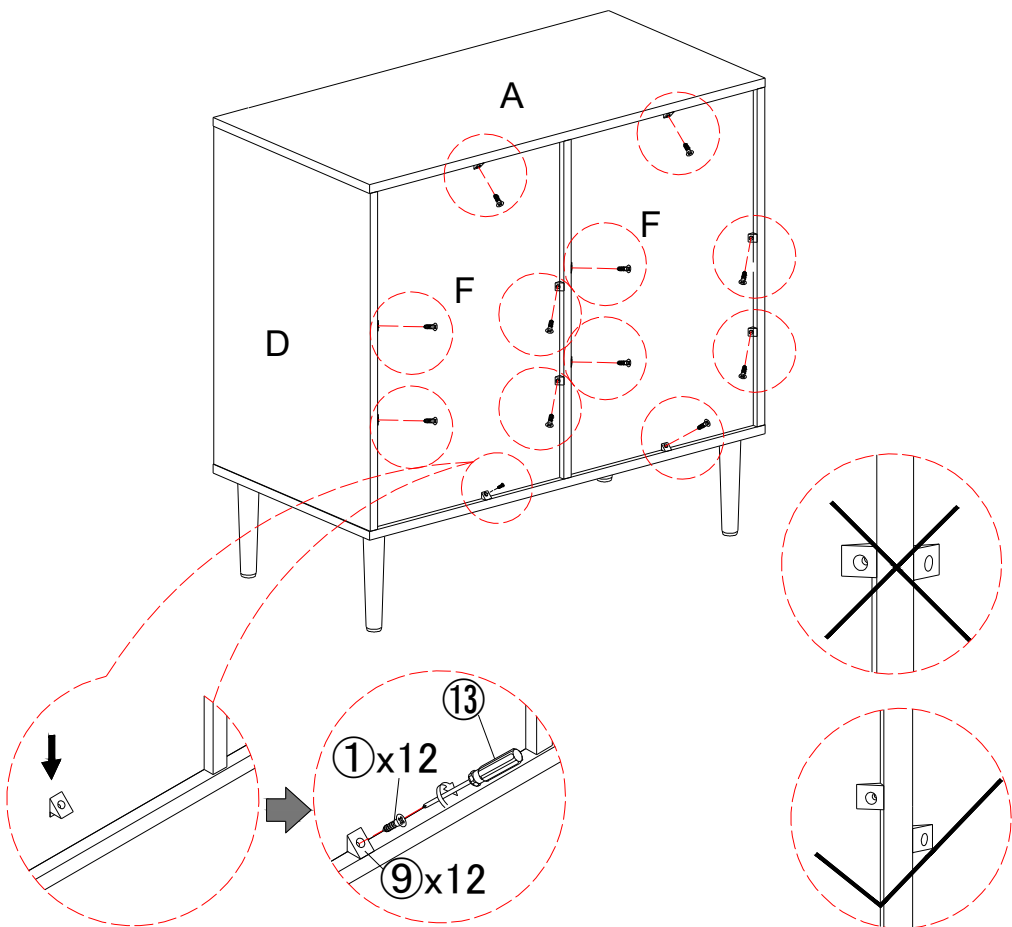




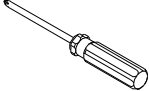
STEP 10



STEP11:

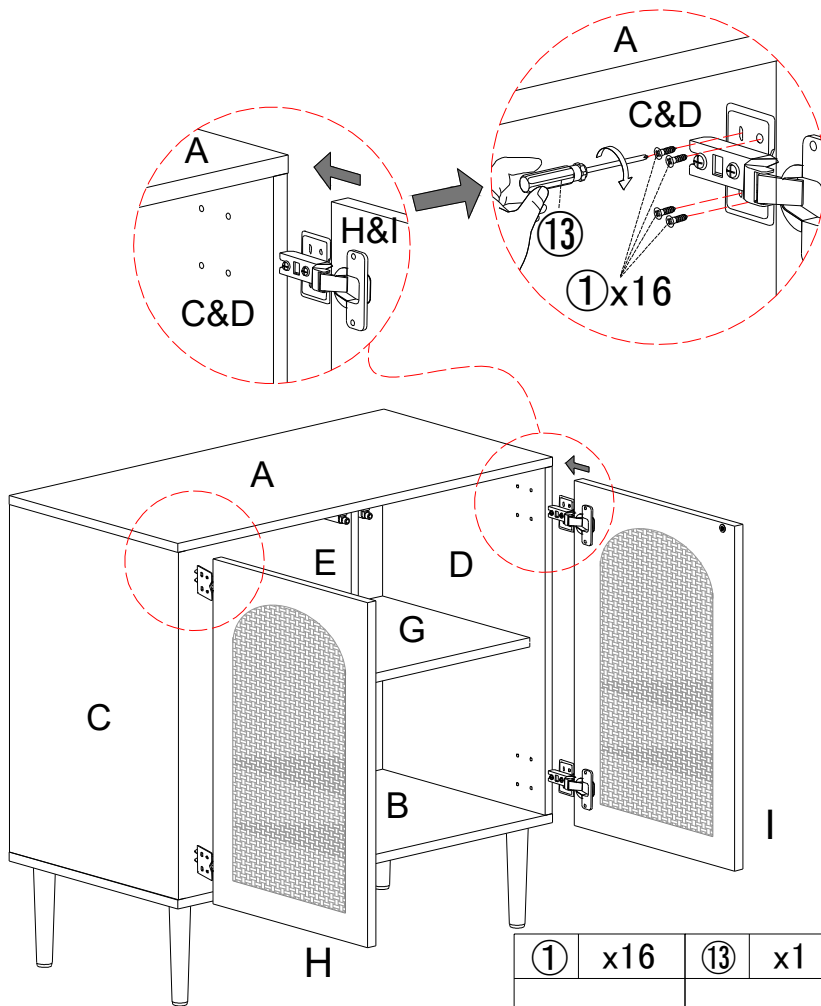
Insert shelf pin ⑱ into pre-assembled unit at step 10. attach adjustable shelf (G) to pin ⑱.



⑨	x12	①	x12	⑬	x1
					
		M3.5*14			

STEP12:

Attach part ⑨ to parts F,F with bolt ① and tighten the bolt with screwdriver ⑬.

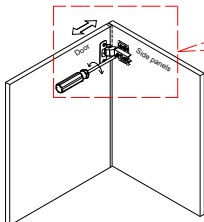


①	x16	⑬	x1
M3.5*14			

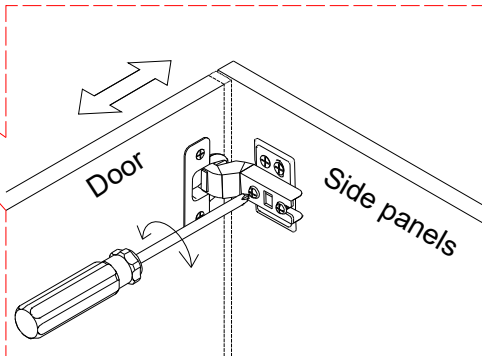
STEP13:

Use screw ① to attach left door (H) and right door (I) to pre-assemble unit at step 12 ,tighten screw with screwdriver ⑬ .

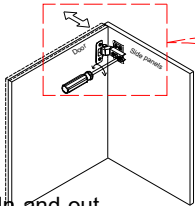
Concealed hinges are three-way adjustable:



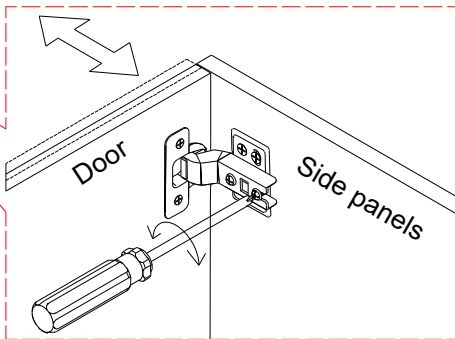
Horizontal
by screw adjustment!



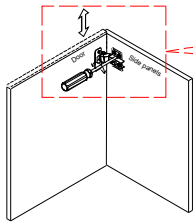
Concealed hinges are three-way adjustable:



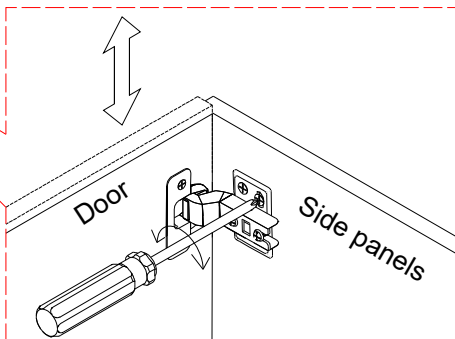
In-and-out
by loosening the hinge arm
mounting screw or via cam
adjustment!



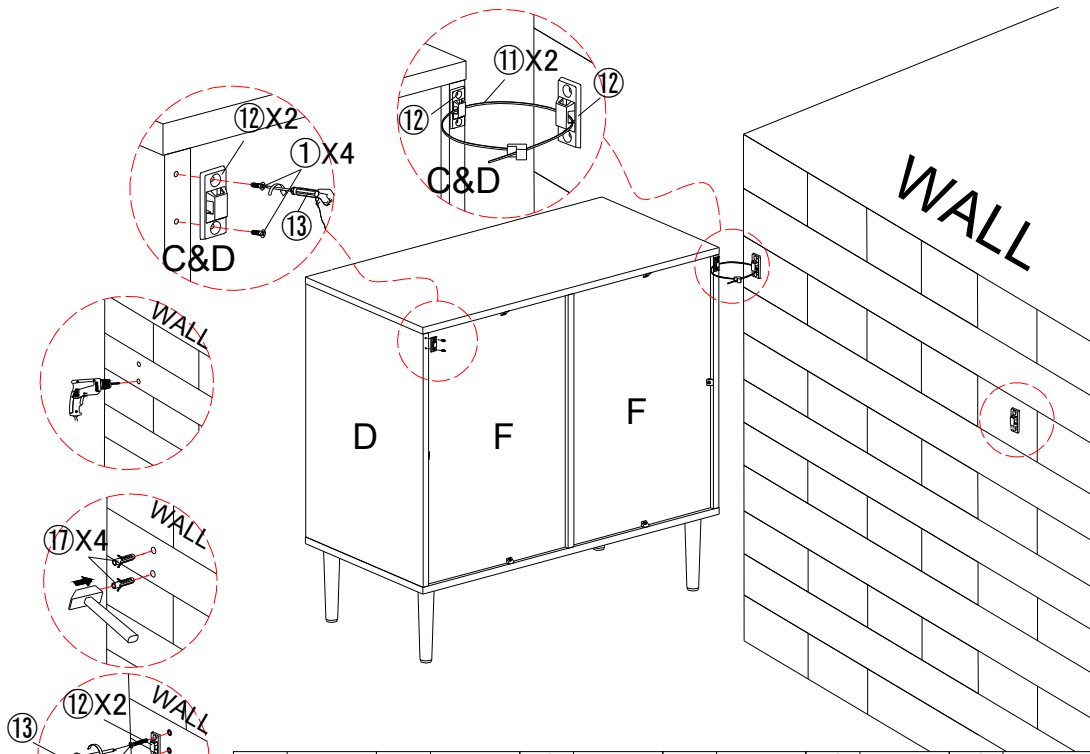
Concealed hinges are three-way adjustable:

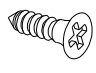
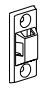
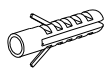


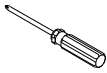


Vertical via slots in
the mounting plate
or via cam adjustment!



Hinge adjustment method



① x4	⑫ x4	⑰ x4	⑪ x2	⑥ x4	⑬ x1
					
M3.5*14		Ø8*30mm		M4*35	

STEP14:

Attach part ⑫ to parts D, C with bolt ① and tighten the bolt with screwdriver ⑬.
 Mark the position on the wall, that corresponds to the location of part ⑫ on the side panel D,C; Drill and insert the expandable screw ⑰ by hammer.
 Assemble the part ⑫ to the wall. Align the hole in the part ⑫ with the expandable screw ⑰, use screw ⑥ to attach it and tighten by screwdriver ⑬.
 Let the plastic belt ⑪ pass through the both part ⑫ and pull tightly.

⚠ WARNING

Children have died from furniture tipover. To reduce the risk of furniture tipover:

ALWAYS install tipover restraint provided. For use with televisions weighing 50lbs/23kg or less. Use with heavier televisions may result in instability causing tip-over resulting in death or serious injury.

NEVER allow children to stand, climb or hang on drawers, doors or shelves.

NEVER open more than one drawer at a time.

Place heaviest items in the lowest drawers.

This is a permanent label. Do not remove!

WARRANTY

We strive to offer high-quality products, and we also try our best to satisfy each and every customer that orders from us with product or service as needed. We provide 30 days warranty starting from the time you receive the item. Each customer must provide a record of their order such as the order number, or item receipt for any items that are out of the warranty period you may also still receive replacement parts by purchasing them with our company if they are available.