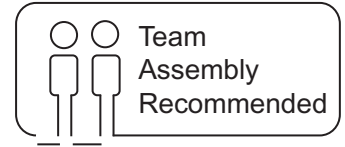
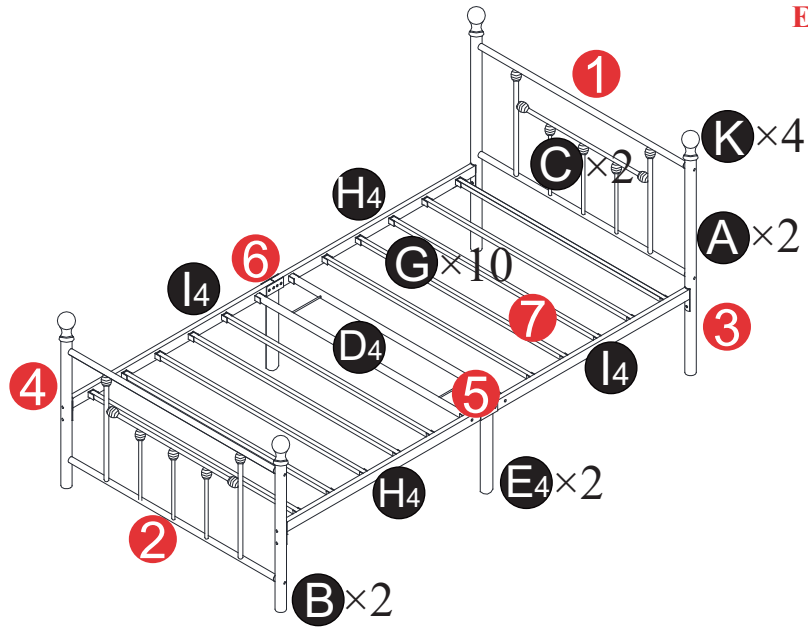
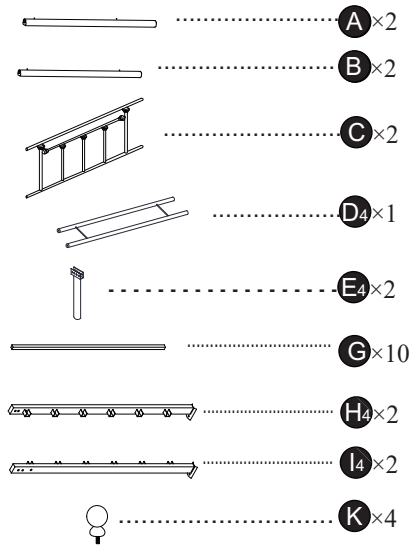


# Bed Frame Installation Manual

#Number System  
Easy assembly by following 1,2,3...



## Components

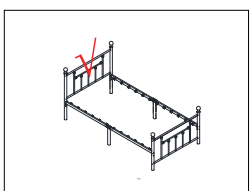
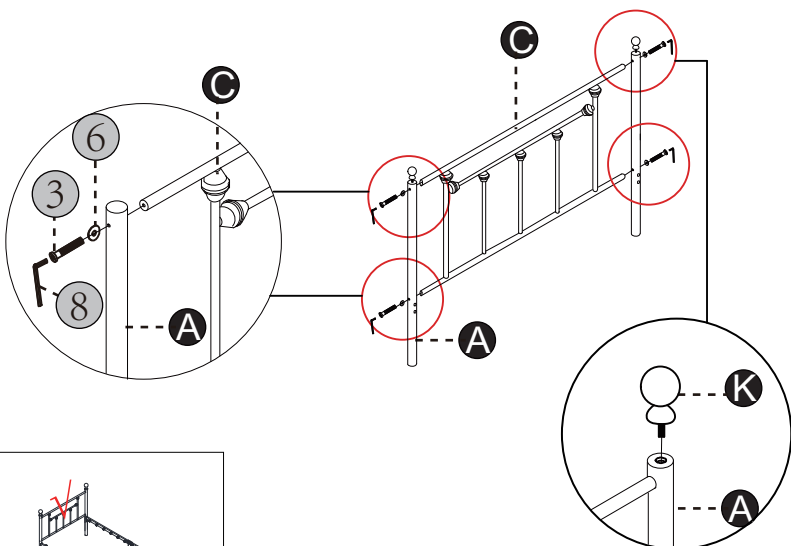


## Screws & Tools

1		M8x50mm	x8
2		M8x35mm	x8
3		M6x60mm	x8
4		M6x40mm	x4
5		M6x15mm	x4
6			x16
7		M8	x12
8		M5	x1
9		M13/M10	x1

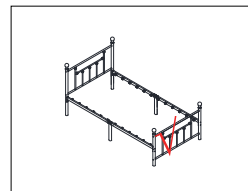
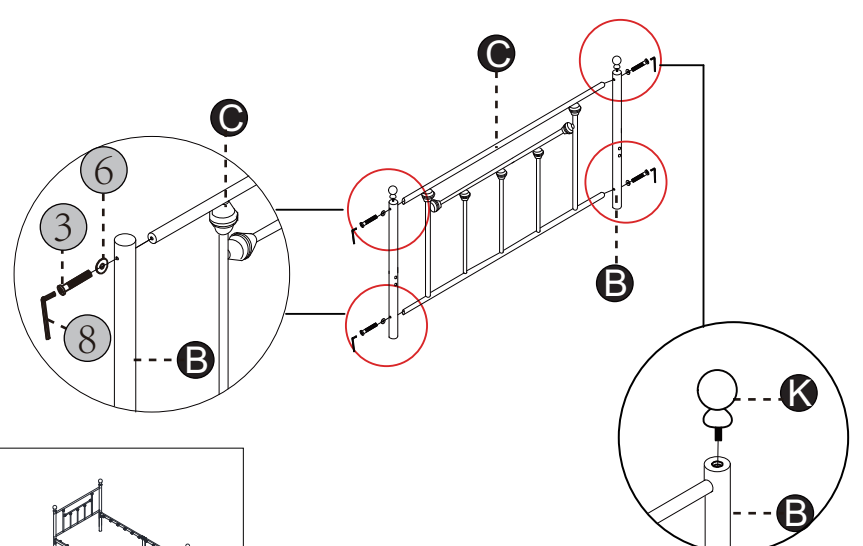
Check all the components & screws before assembly. Do not install in case part is missing.

## 1 Headboard assembly



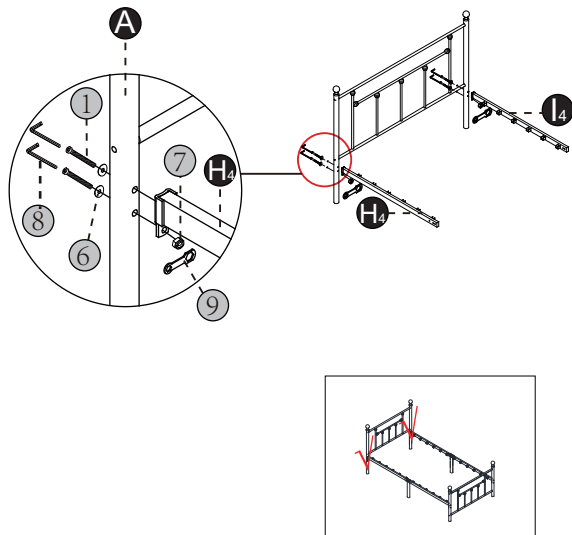
Note:  
In this step, do not tighten screw 3

## 2 Footboard assembly

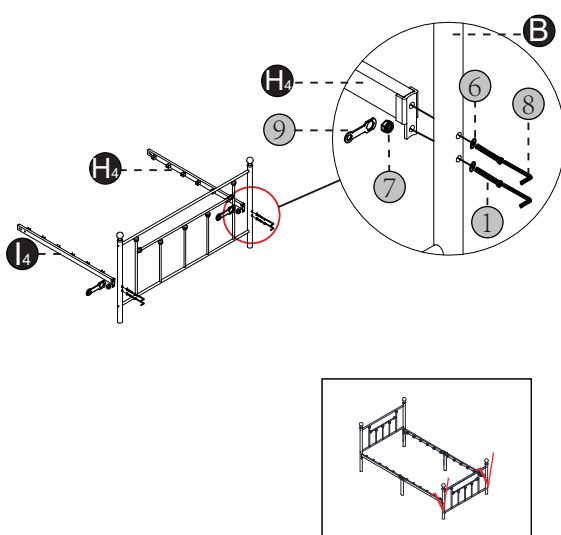


Note:  
In this step, do not tighten screw 3

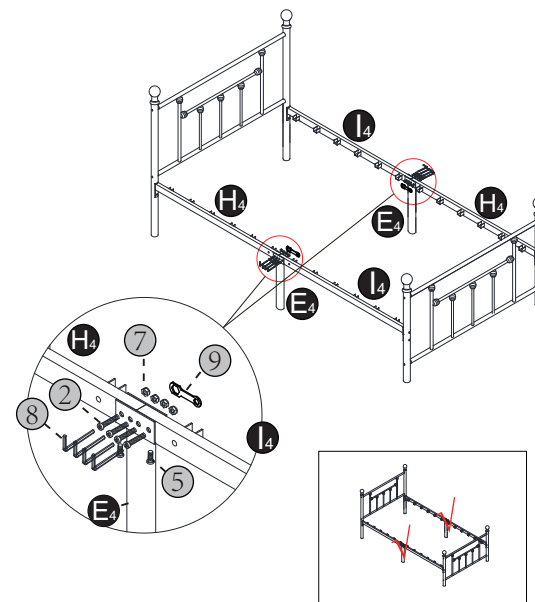
**3** Connect **H<sub>4</sub>** & **L<sub>4</sub>** to headboard



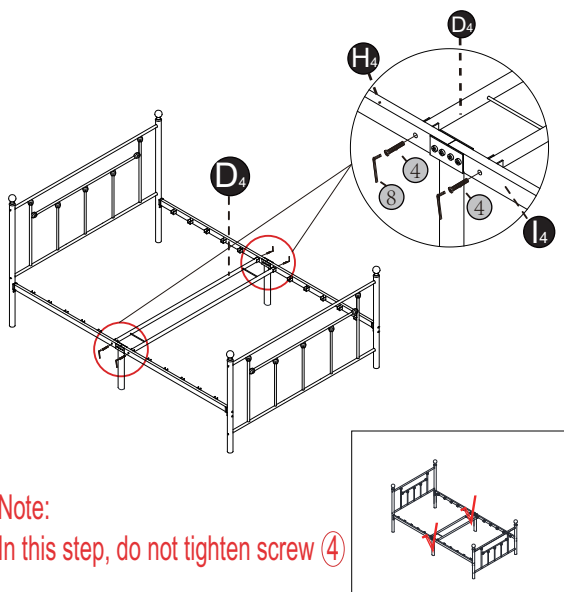
**4** Connect **H<sub>4</sub>** & **L<sub>4</sub>** to footboard



**5** Connect **E<sub>4</sub>** to **H<sub>4</sub>** & **L<sub>4</sub>**

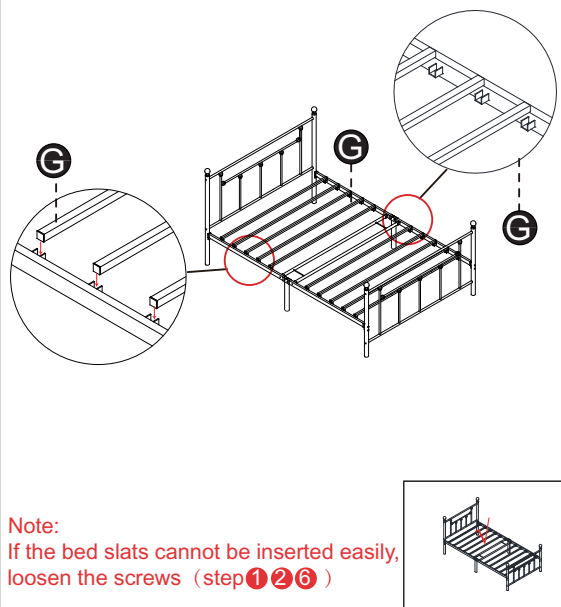


**6** Connect **D<sub>4</sub>** to **H<sub>4</sub>** & **L<sub>4</sub>**



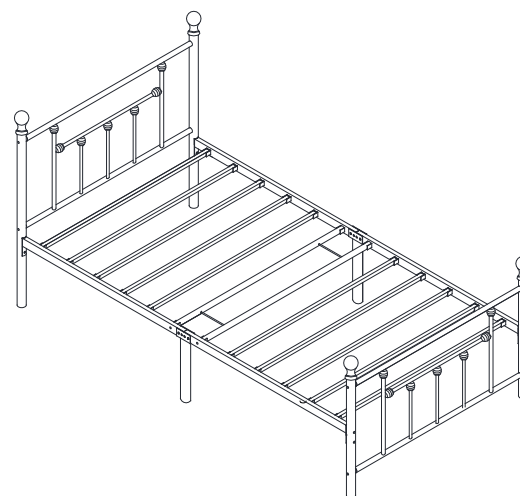
Note:  
In this step, do not tighten screw **4**

**7** Assemble bed slats



Note:  
If the bed slats cannot be inserted easily,  
loosen the screws (step **1 2 6**)

**8** Check and tighten all screws



## CAUTIONS!

