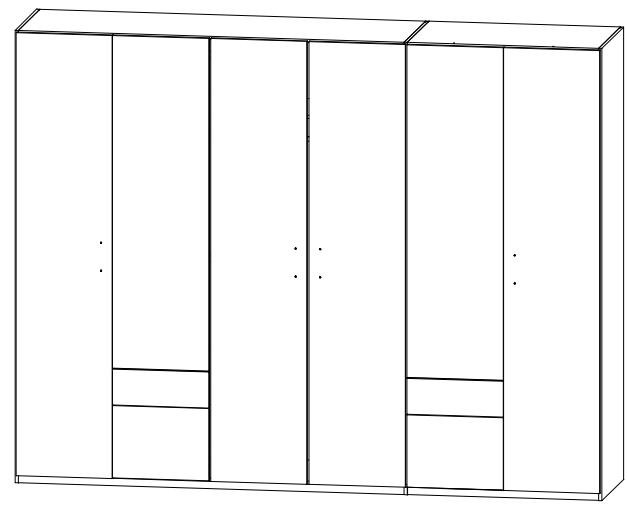
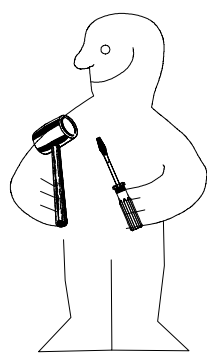
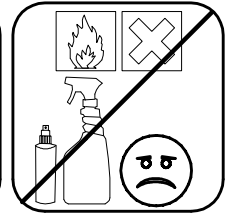
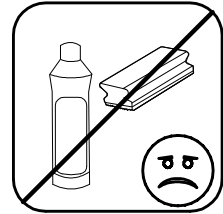
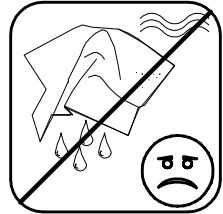
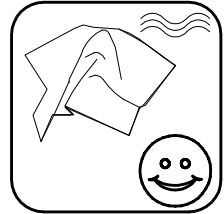
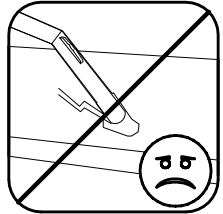
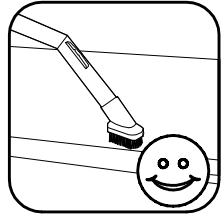
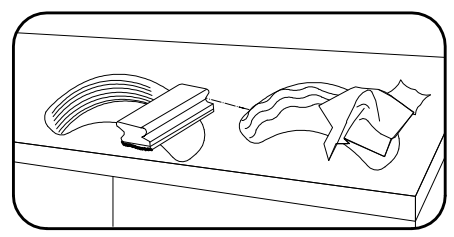
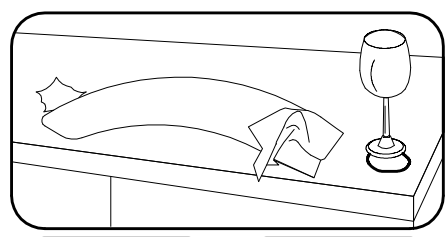
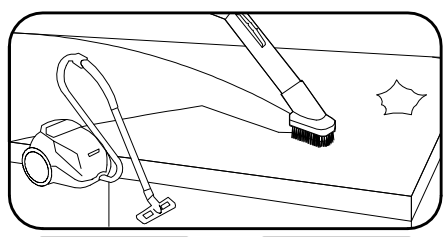
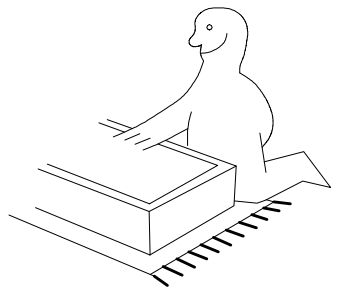
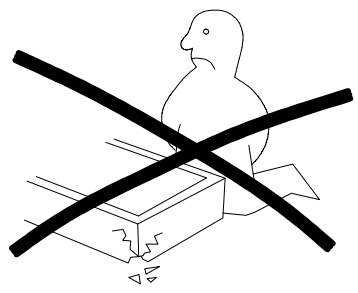
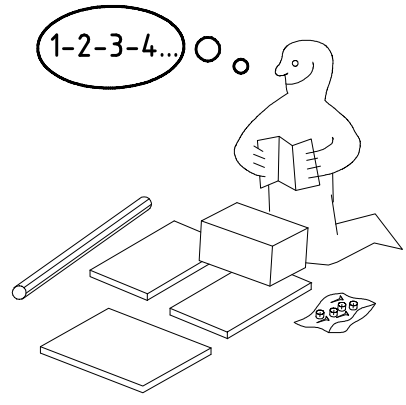
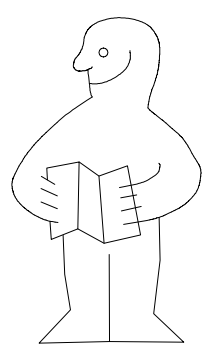
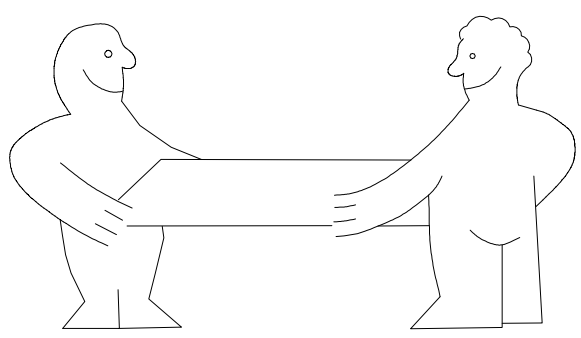
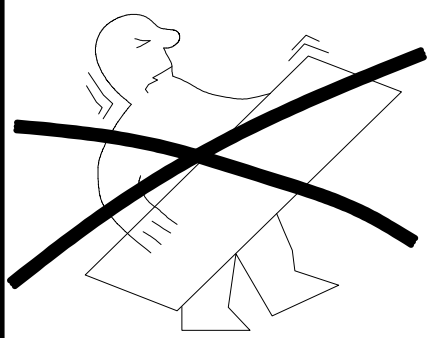


980573



NSP 270

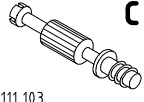
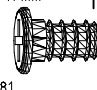
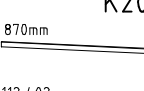



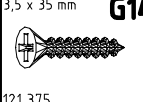



980573

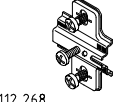
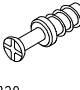
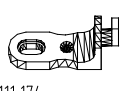

25.03.15 / 25.10.16

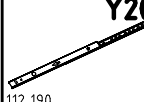

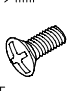
10 16




1 / 13

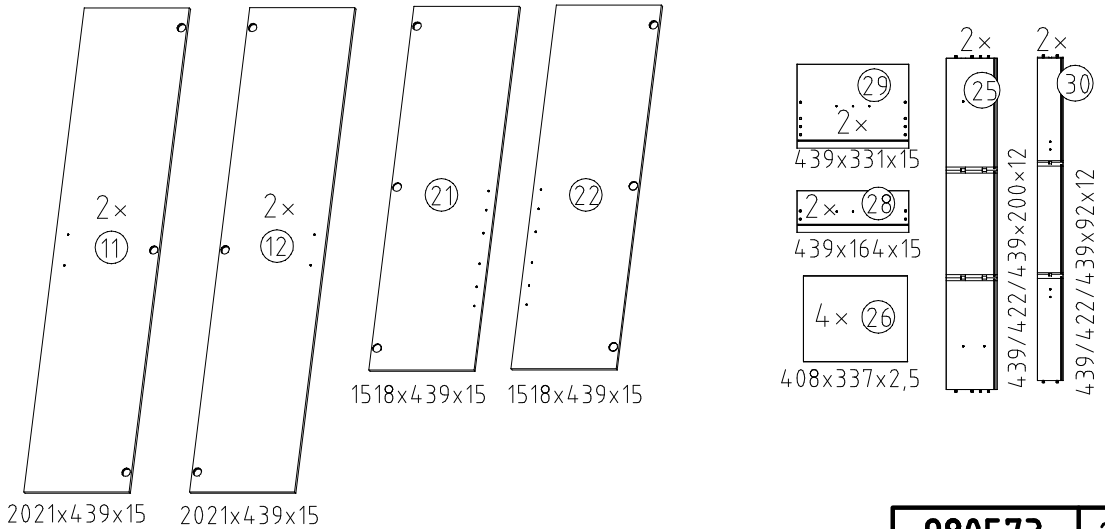
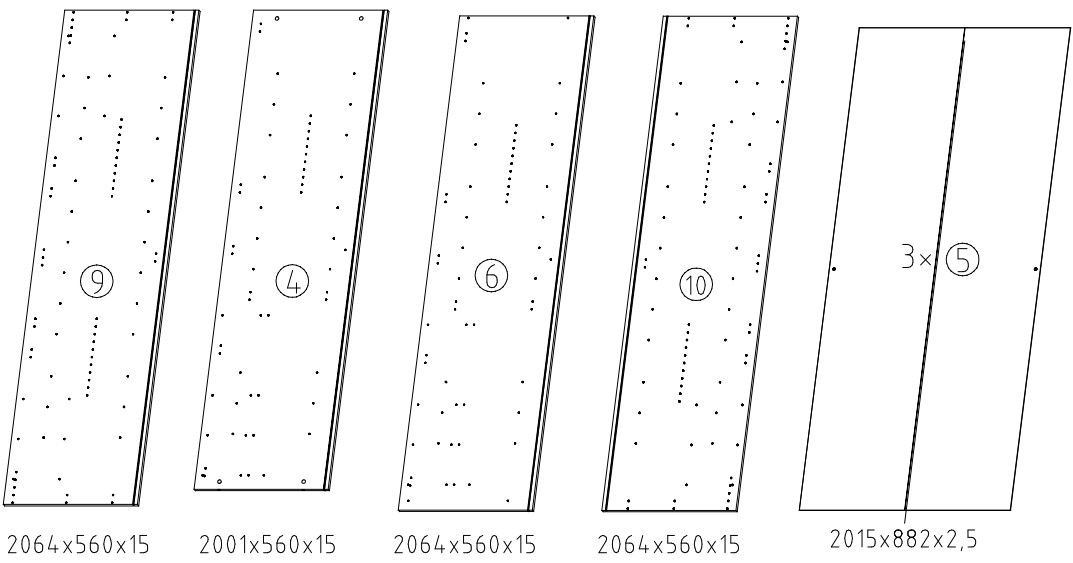
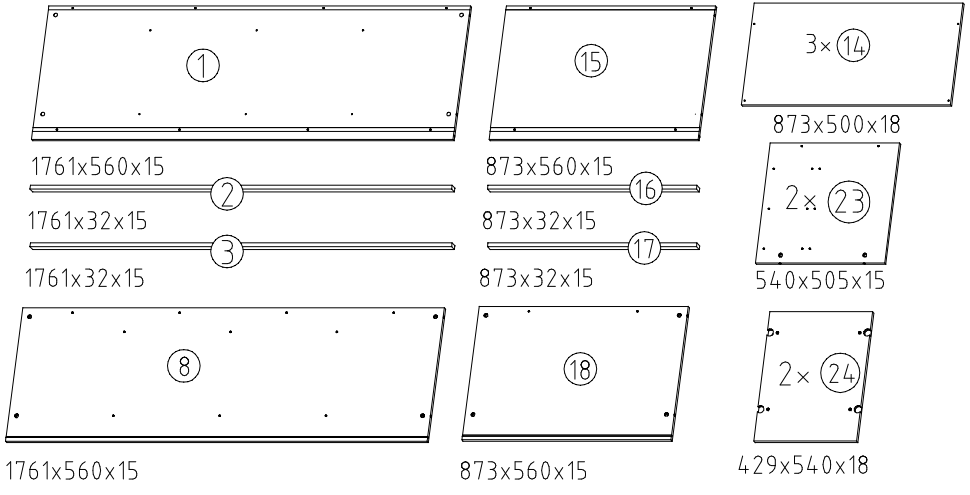
 111 103 M6 x 11 mm	<b>C</b> 16x
 121 181	<b>T6</b> 6x
 112 402 870mm	<b>K20</b> 3x
 111 102	<b>A</b> 24x

 121 375 3,5 x 35 mm	<b>G14</b> 12x
 117 001	<b>K1</b> 6x
 121 370 3,5 x 15 mm	<b>G1</b> 12x
 111 610	<b>L7</b> 12x

 112 268	<b>M</b> 18x
 111 229	<b>F</b> 8x
 111 174	<b>J1</b> 6x
 111 252	<b>VB23</b> 8x

 112 190 M6 x 10	<b>Y20</b> 8x
 112 616 M4 x 9 mm	<b>T3</b> 16x
 111 015	<b>G8</b> 8x

 112 267	<b>F3</b> 4x
 112 267	<b>N</b> 18x
 163 007	<b>Z</b> 4x

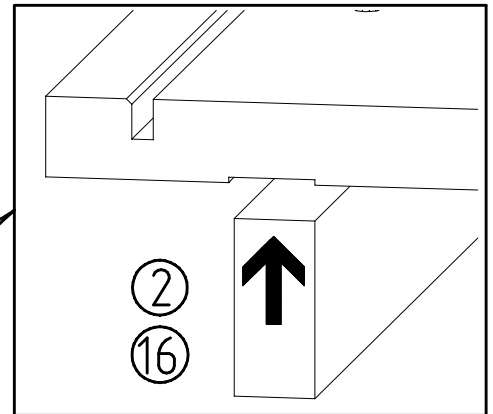
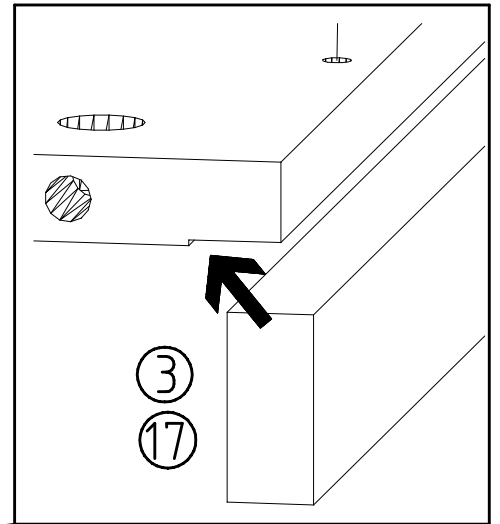
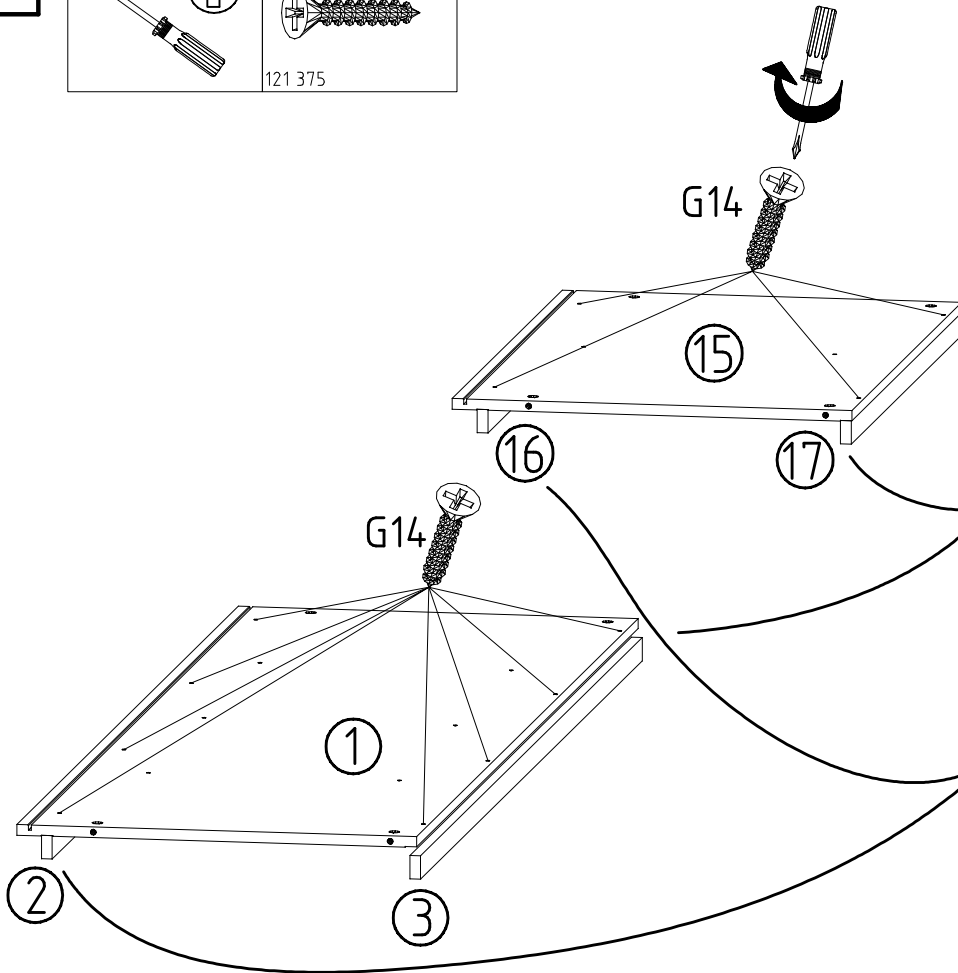
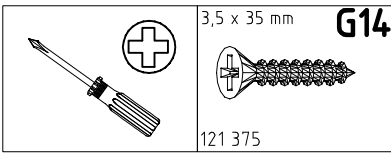


Tools: Two people icon, level, pencil, Phillips screwdriver, Torx screwdriver, power drill, 5mm drill bit.

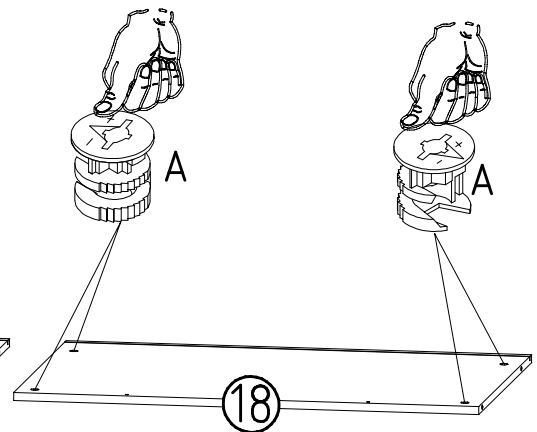
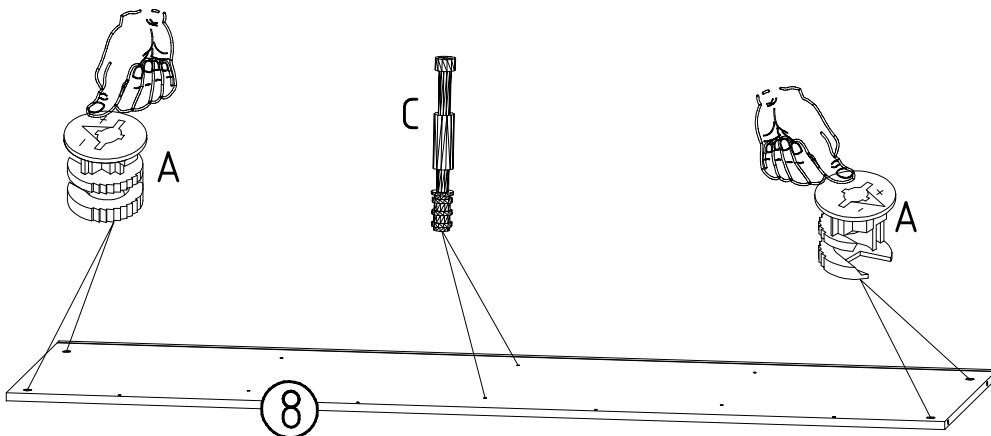
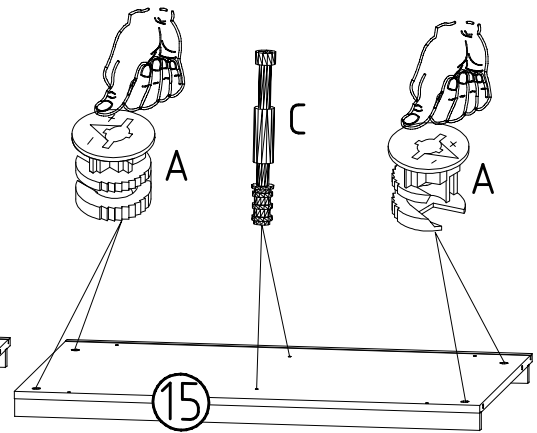
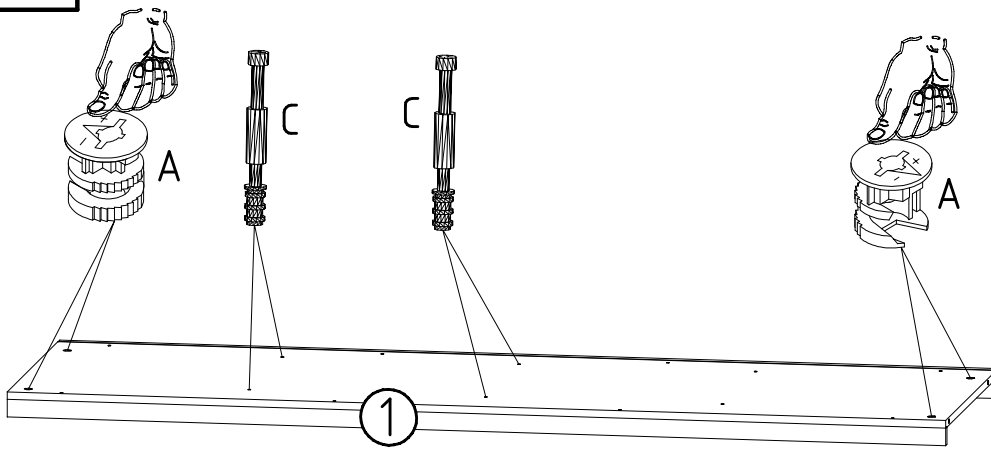
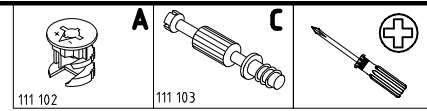
Ruler: 0 to 100 mm scale.

Inset: 5mm drill bit with depth gauge.

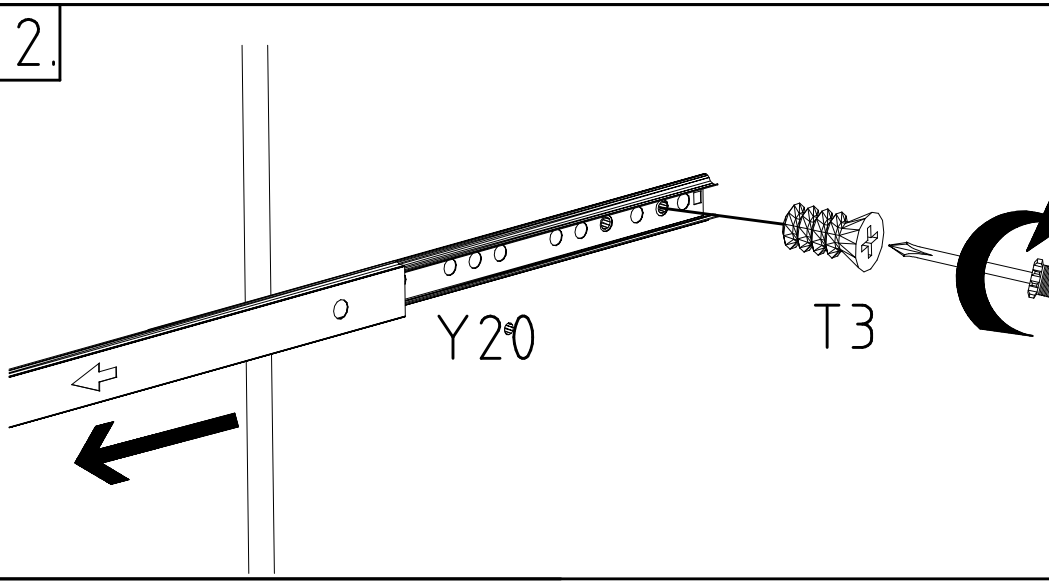
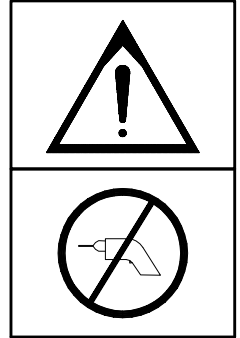
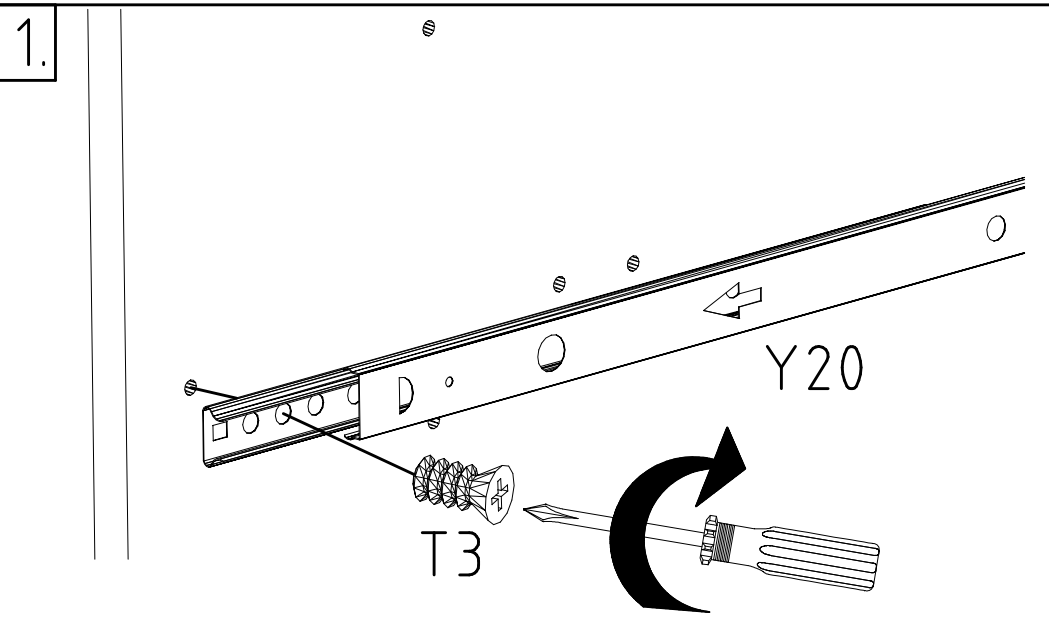
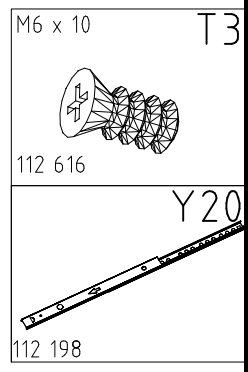
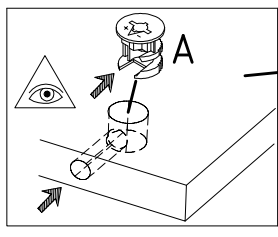
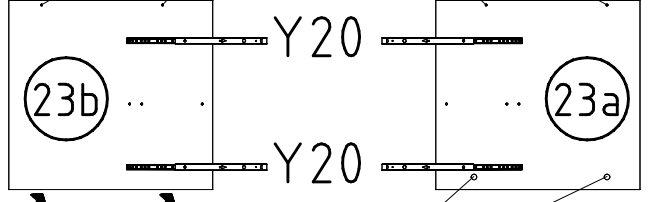
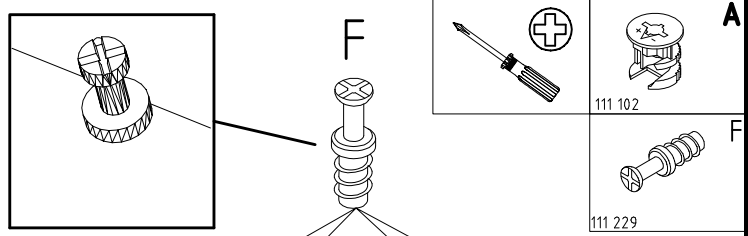
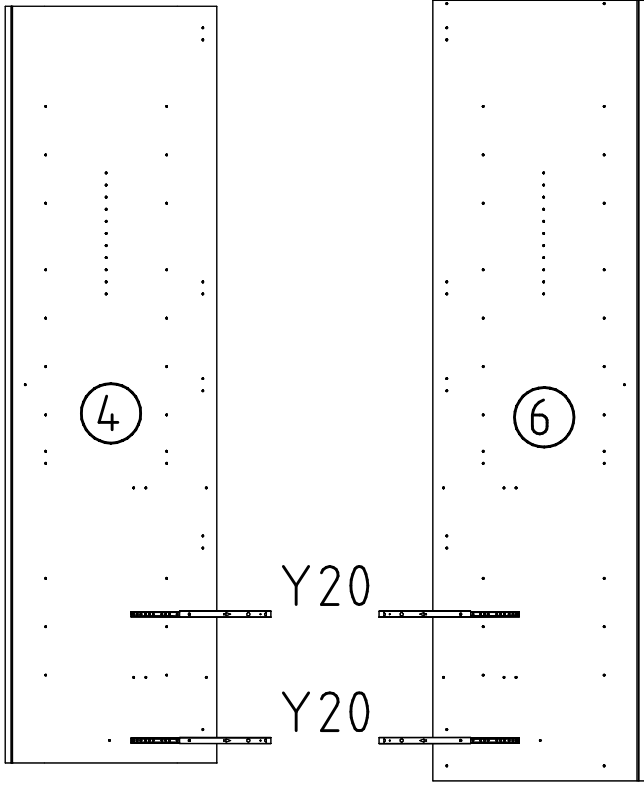
1



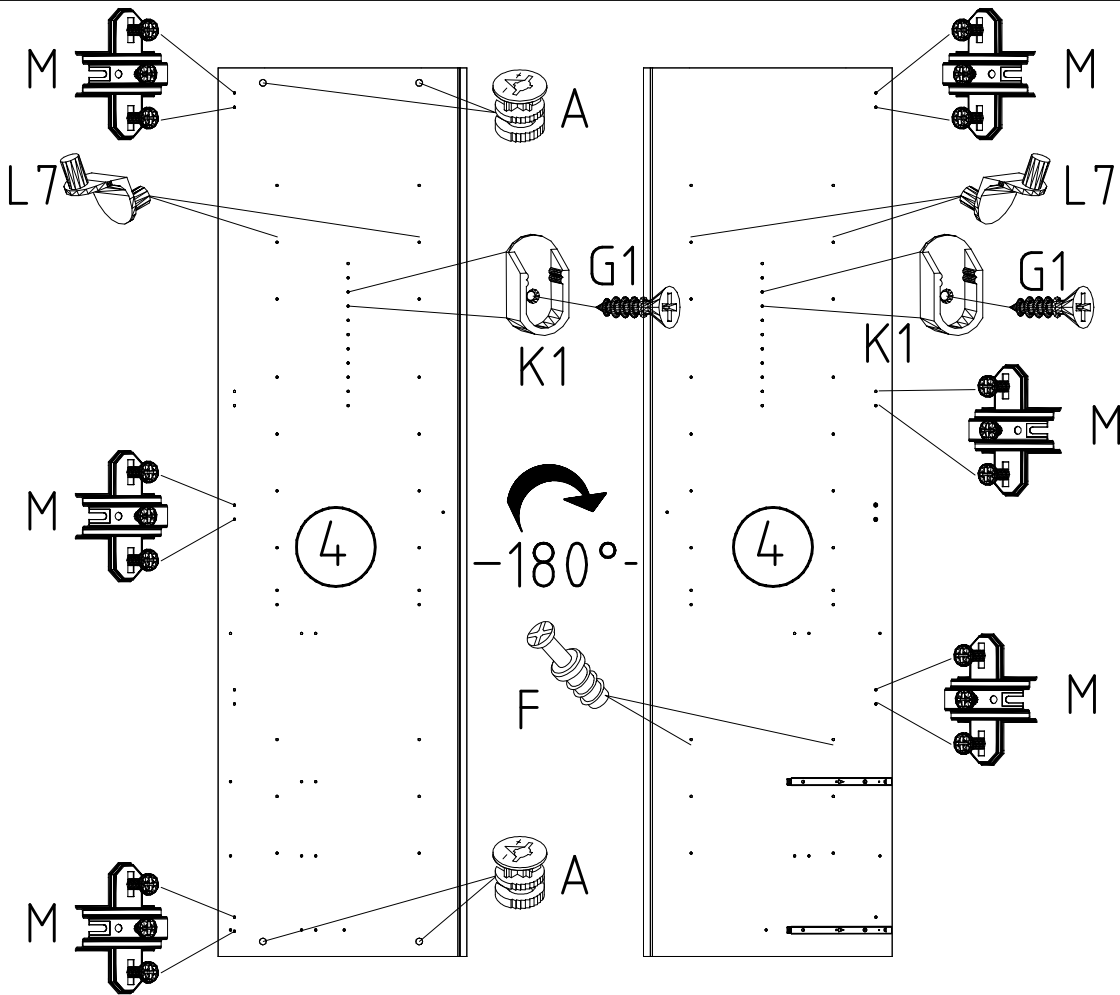
2

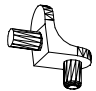
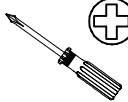



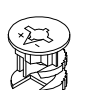
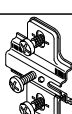
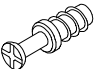


3

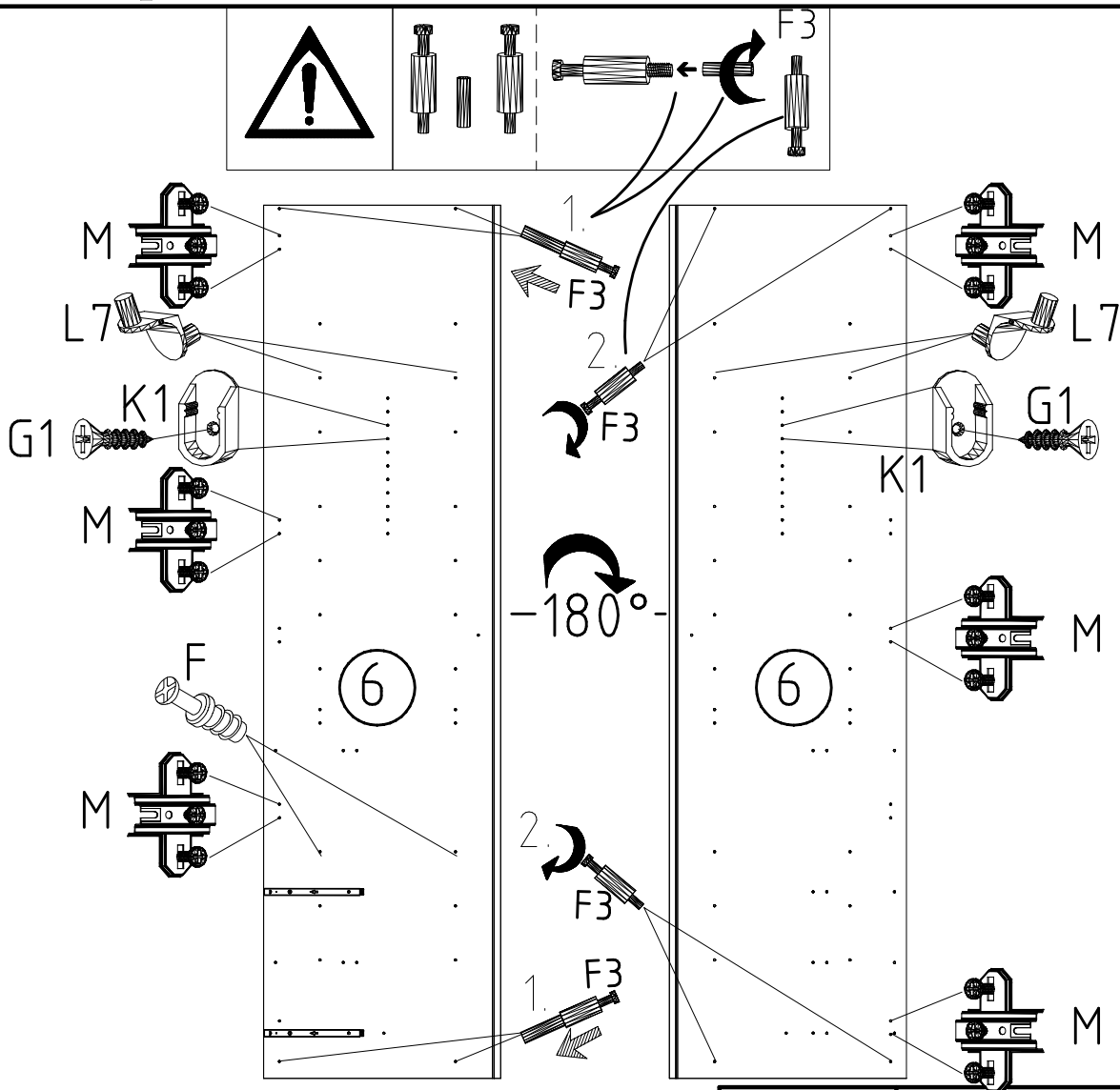


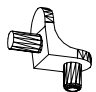
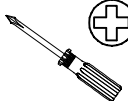



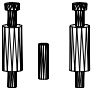
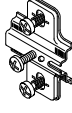
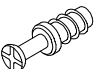
4



-  L7
- 111 610
-  
-  K1
- 117 001  
3,5 x 15 mm
-  G1
- 121 370
-  A
- 111 102
-  M
- 112 268
-  F
- 111 229

5



-  L7
- 111 610
-  
-  K1
- 117 001  
3,5 x 15 mm
-  G1
- 121 370
-  F3
-  M
- 112 268
-  F
- 111 229

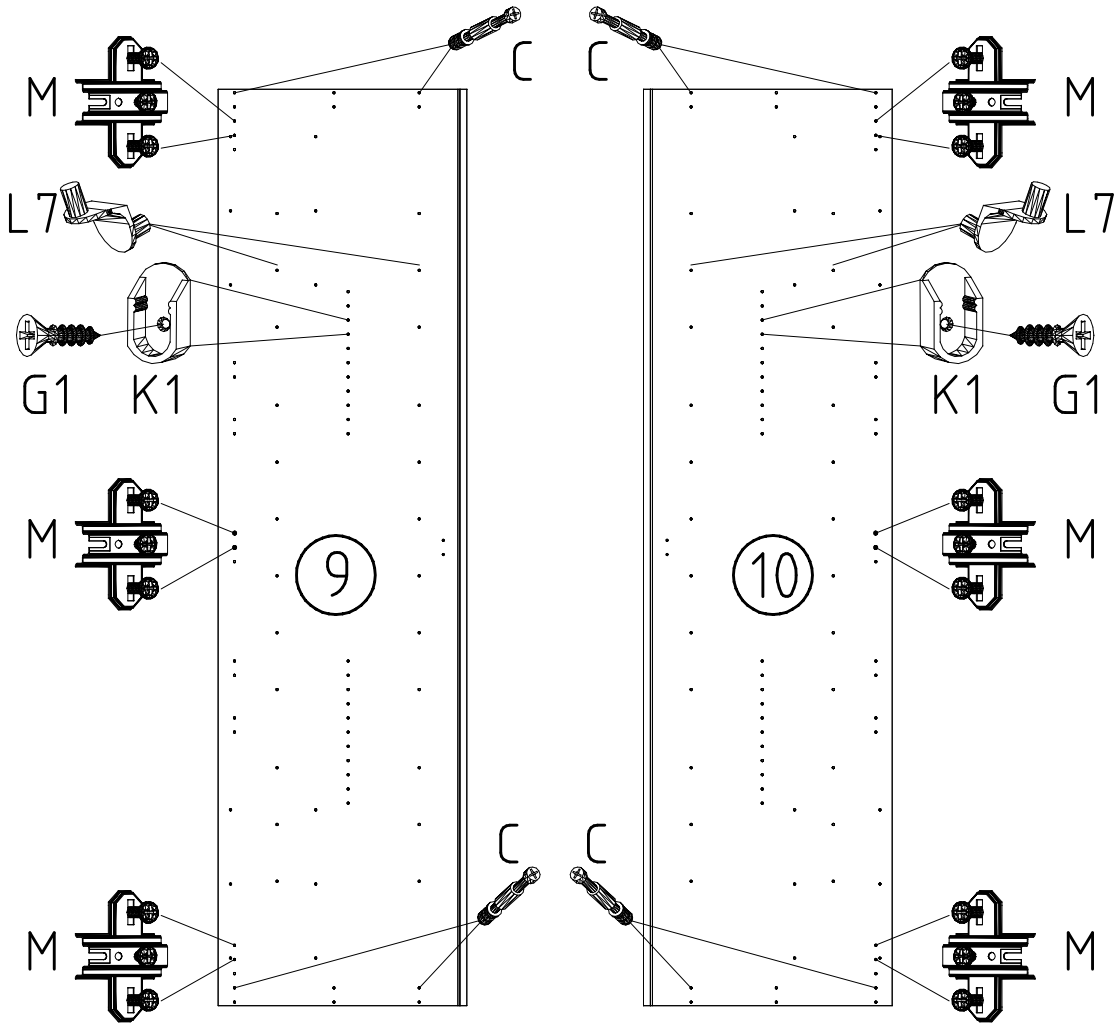
980573

25.03.15 / 25.10.16

10 16

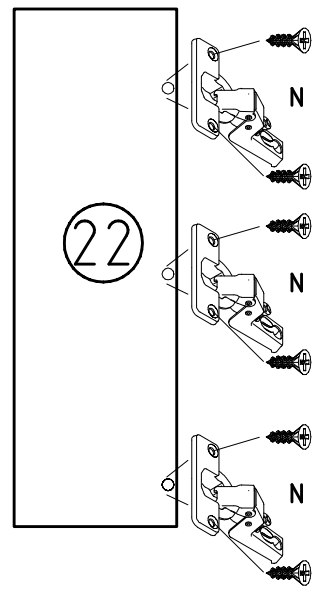
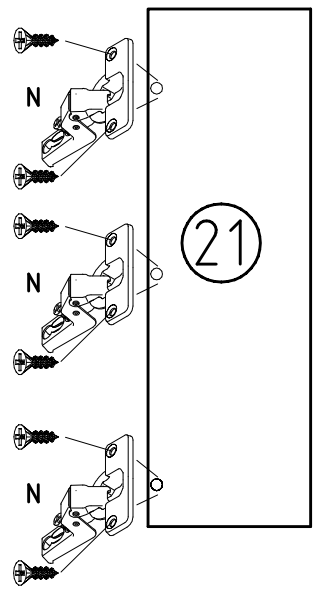
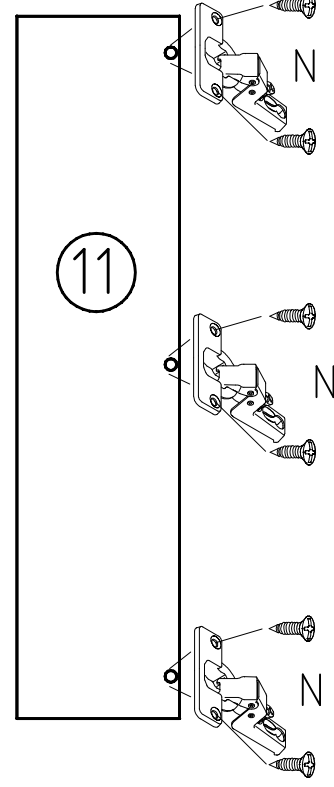
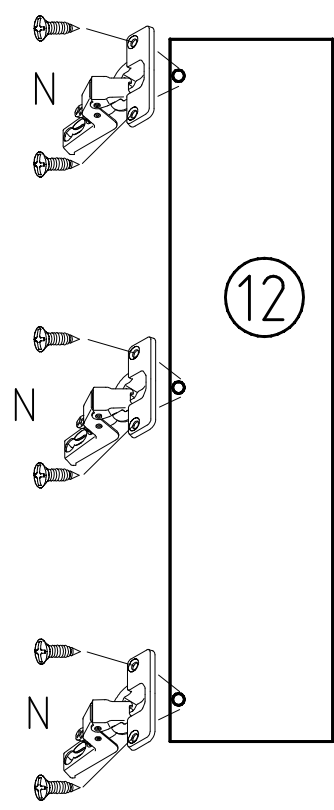
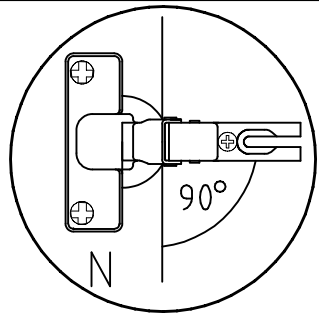
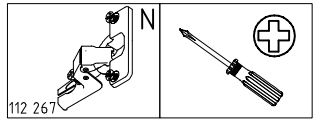
5/13

6

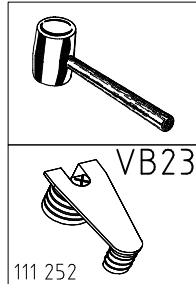
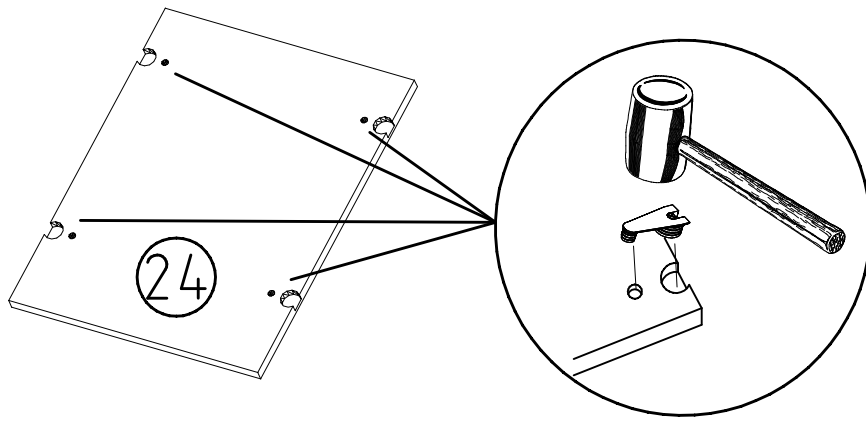


- L7
- 111 610
- +
- K1
- 117 001  
3,5 x 15 mm
- G1
- 121 370
- C
- 111 103
- M
- 112 268

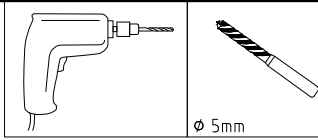
7



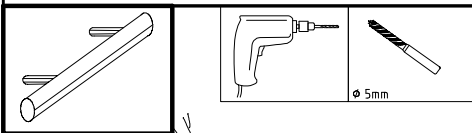
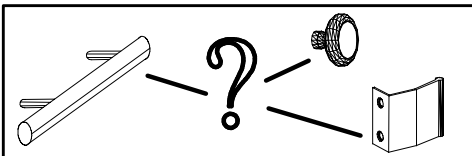
8



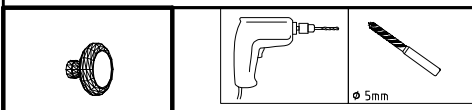
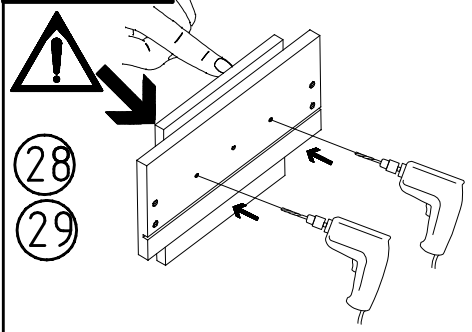
9



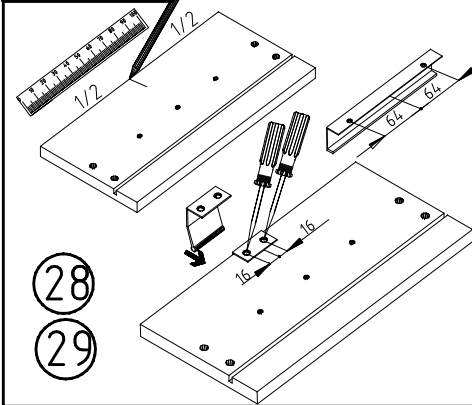
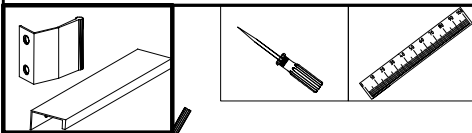
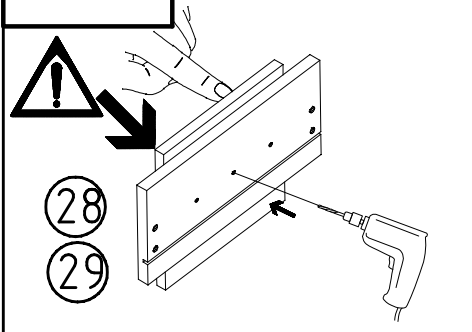
Ø 5mm



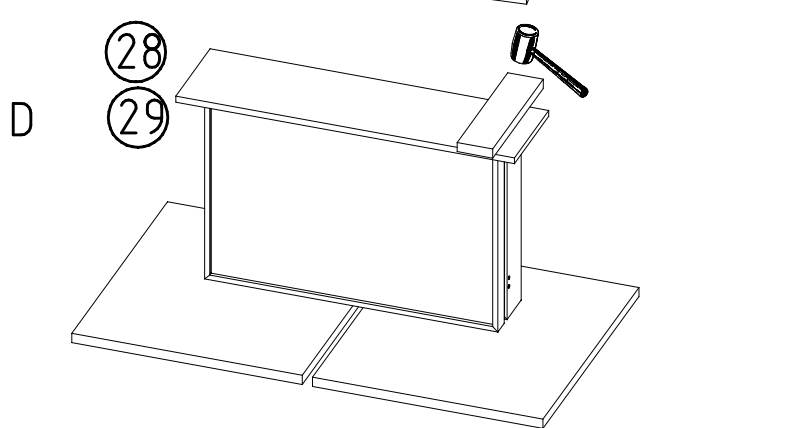
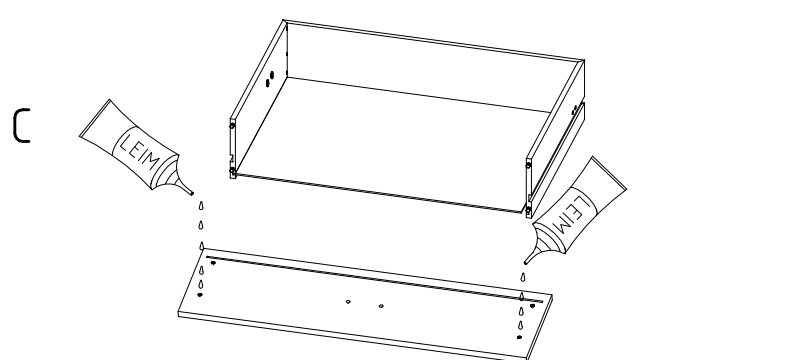
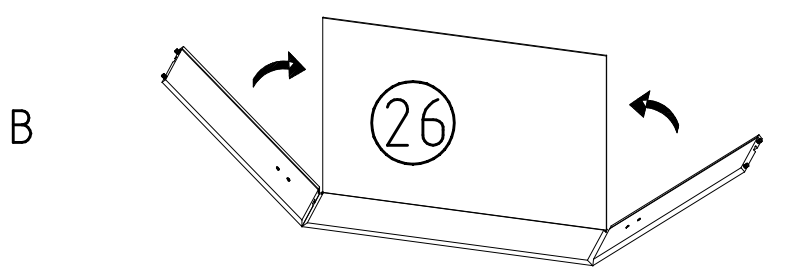
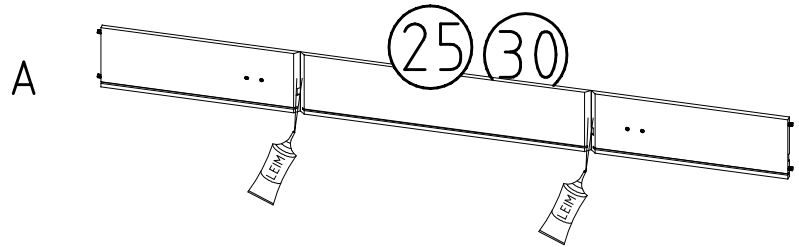
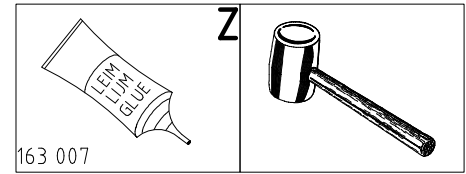
Ø 5mm



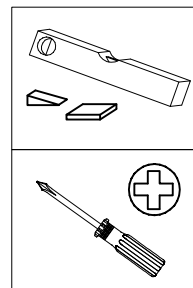
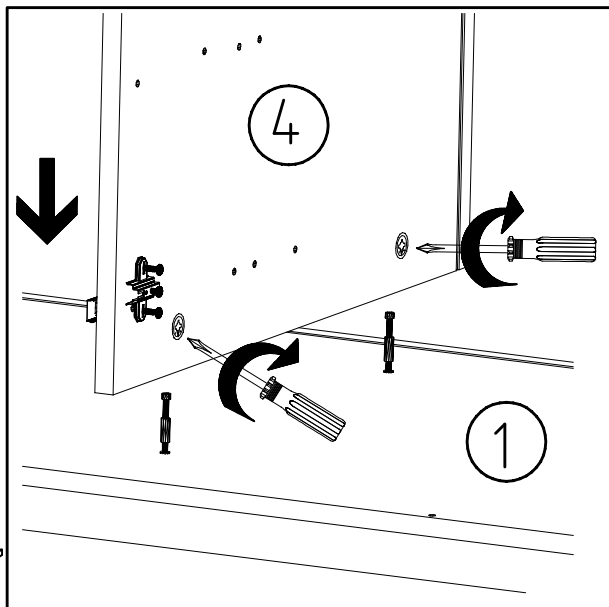
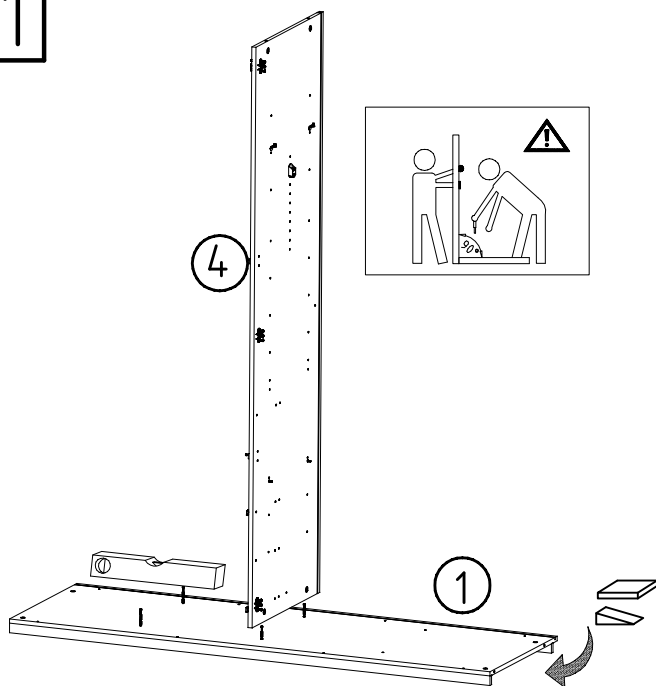
Ø 5mm



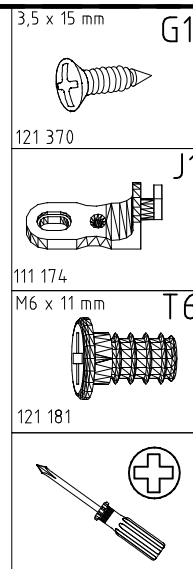
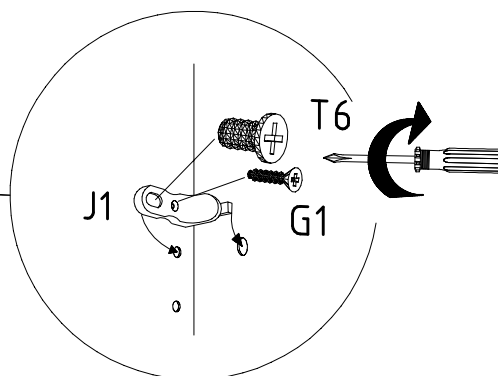
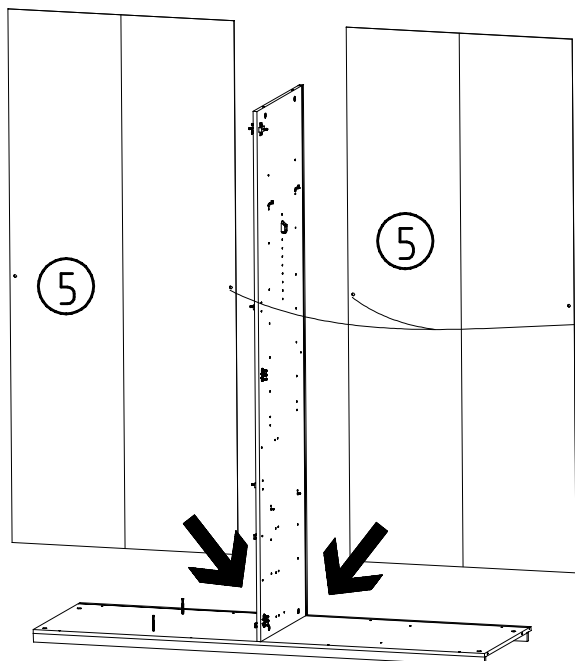
10



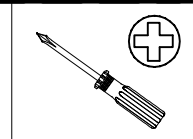
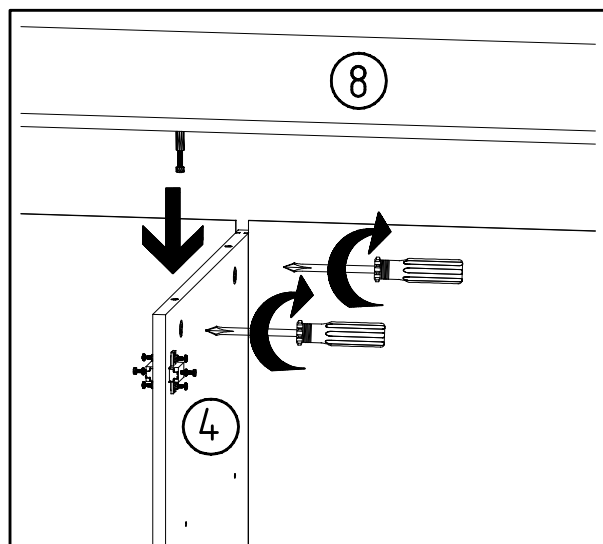
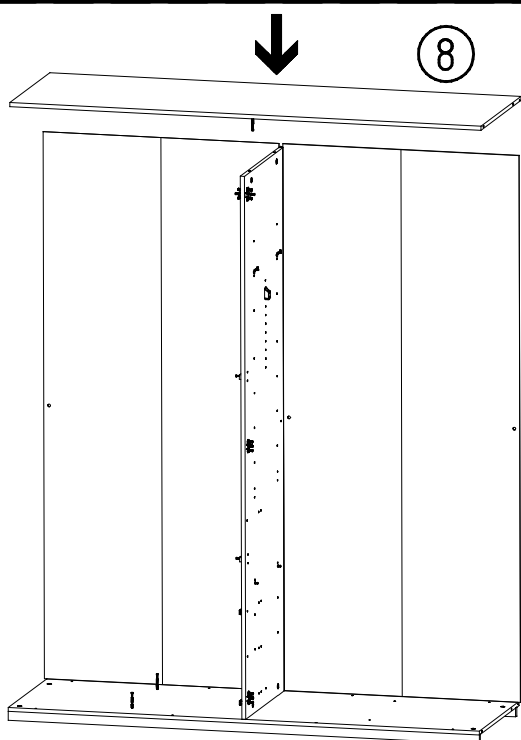
11



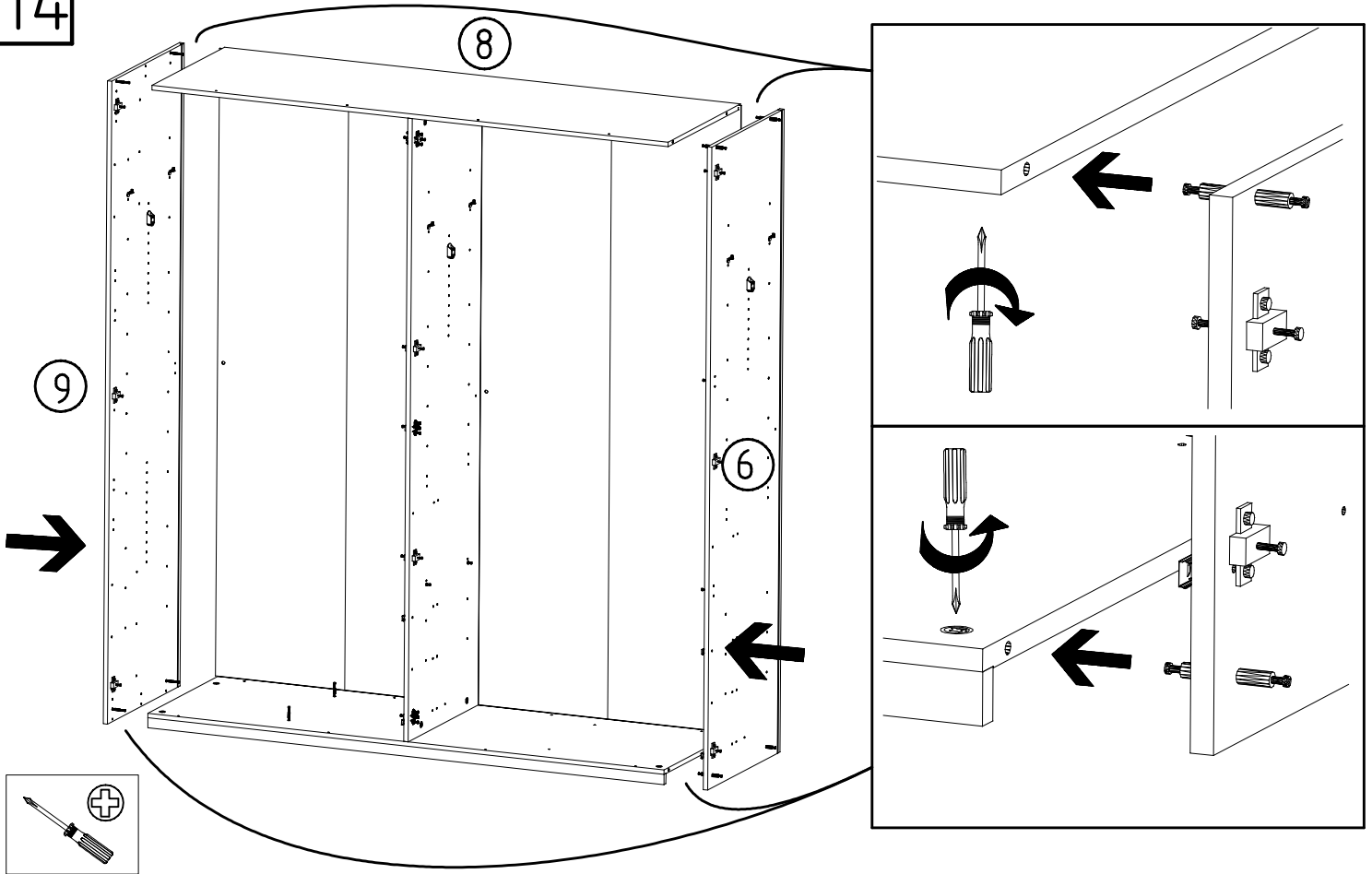
12



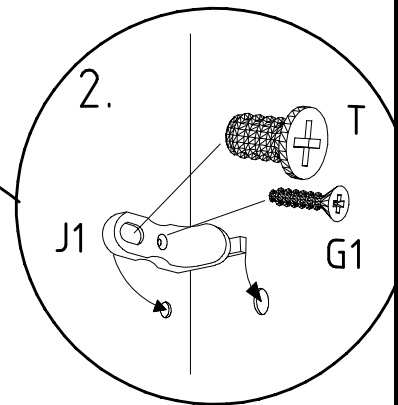
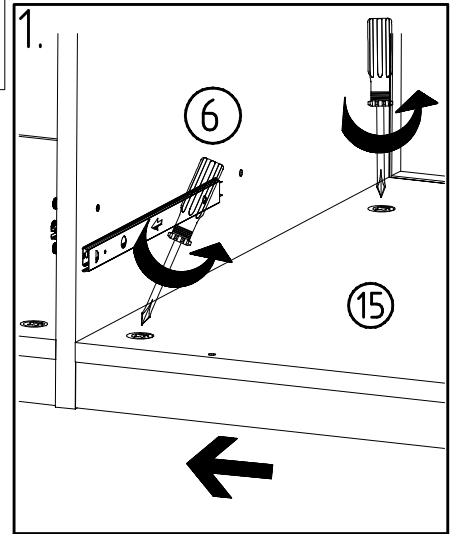
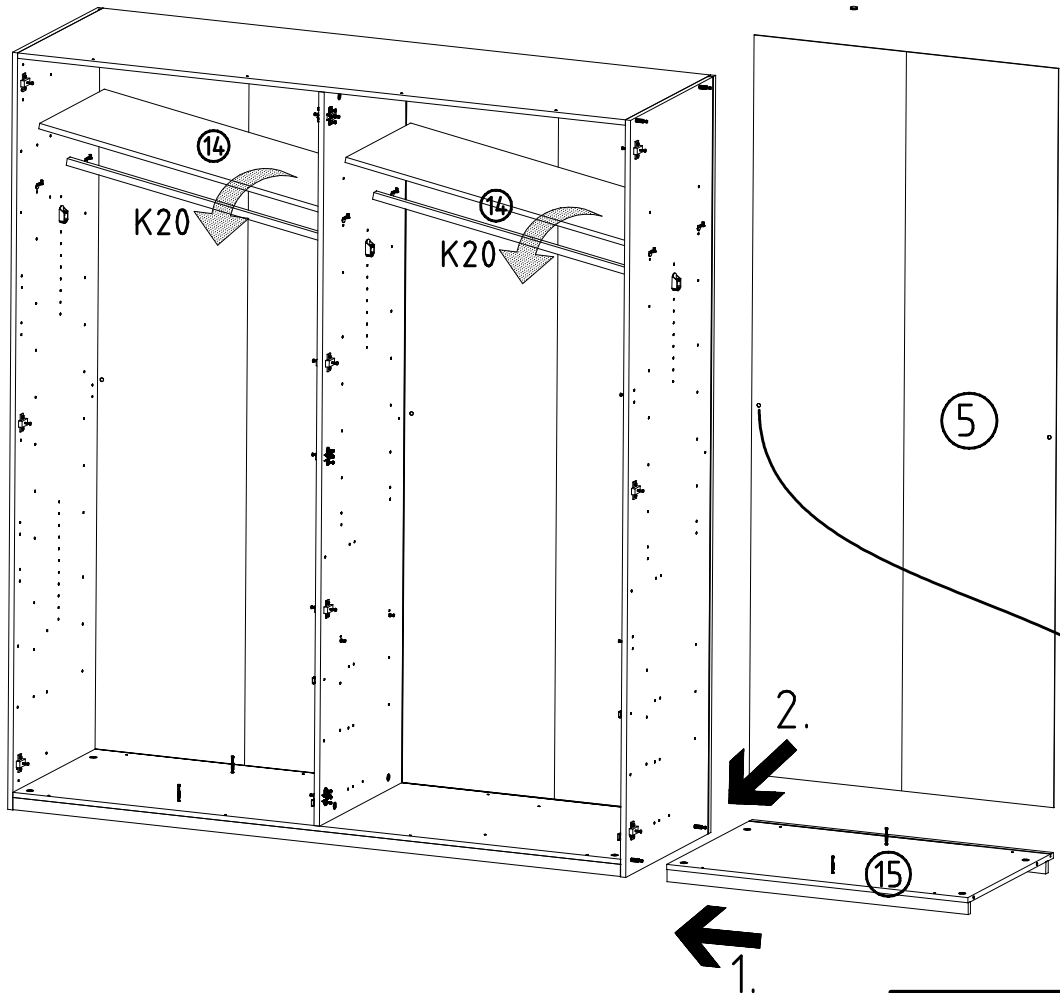
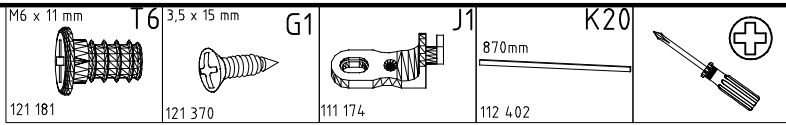
13



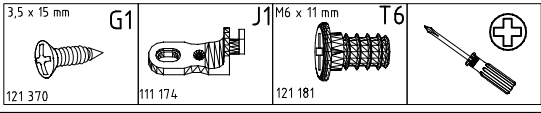
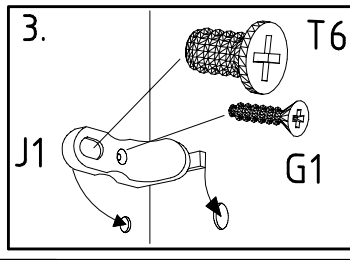
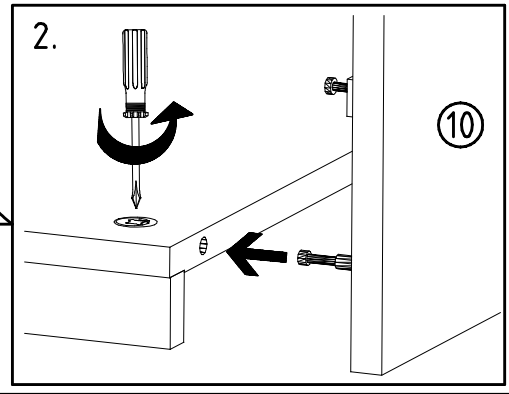
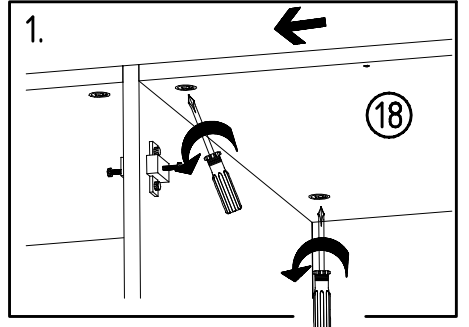
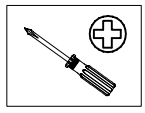
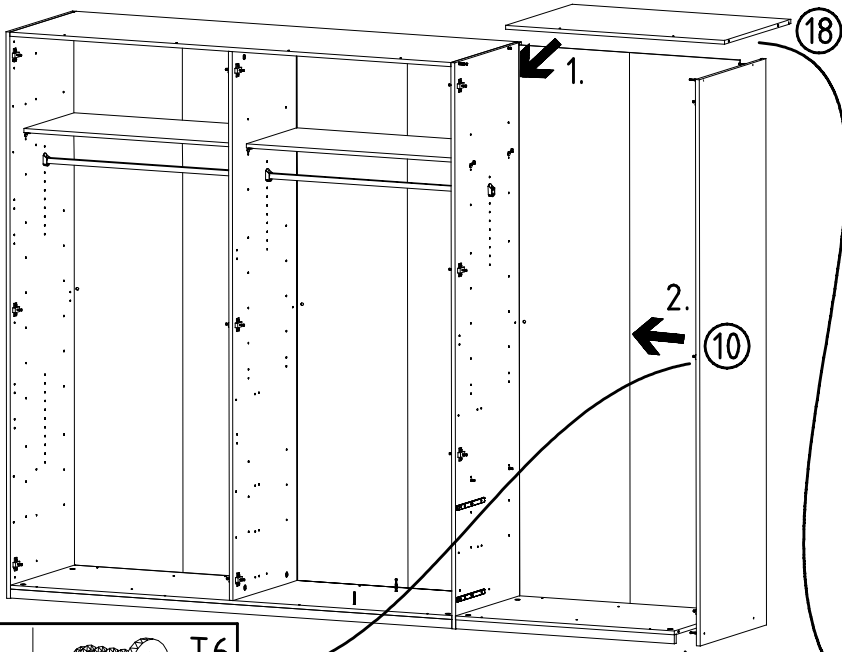
14



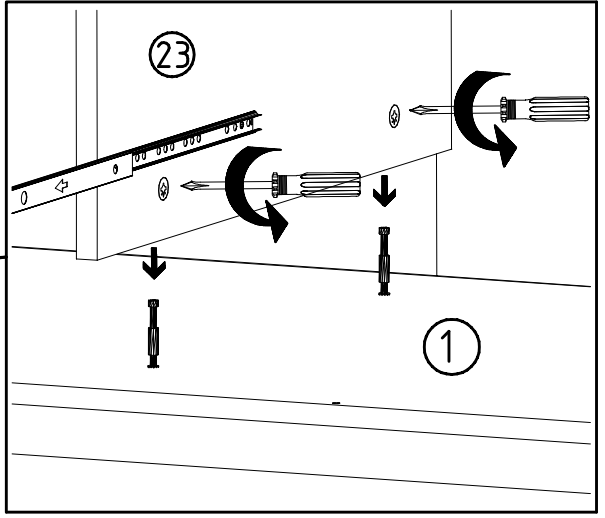
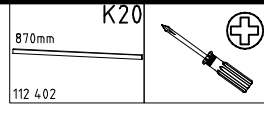
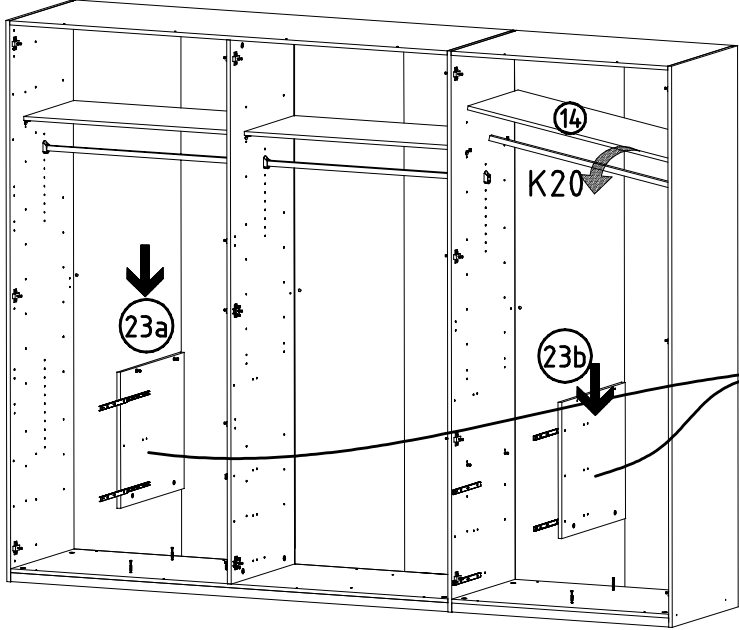
15



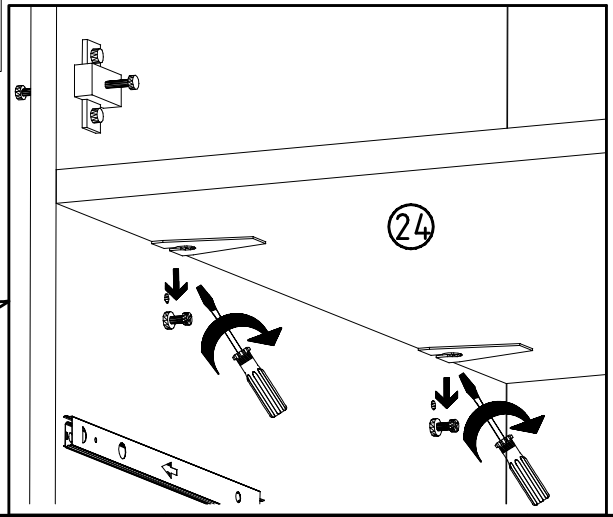
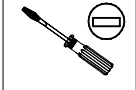
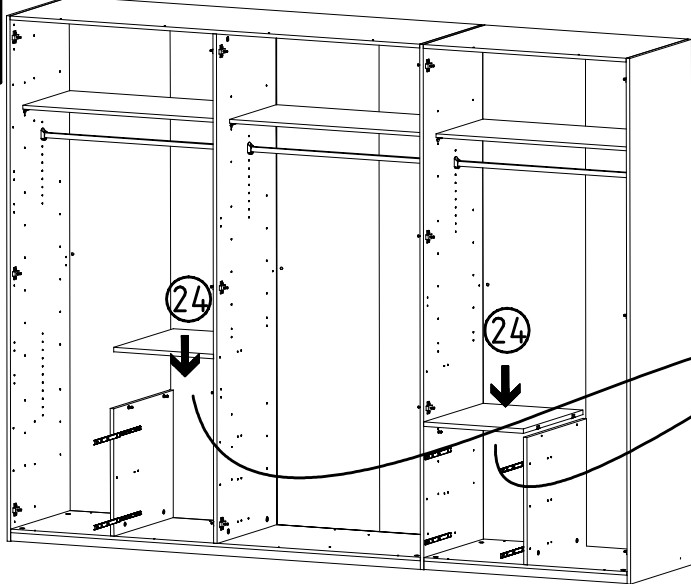
16



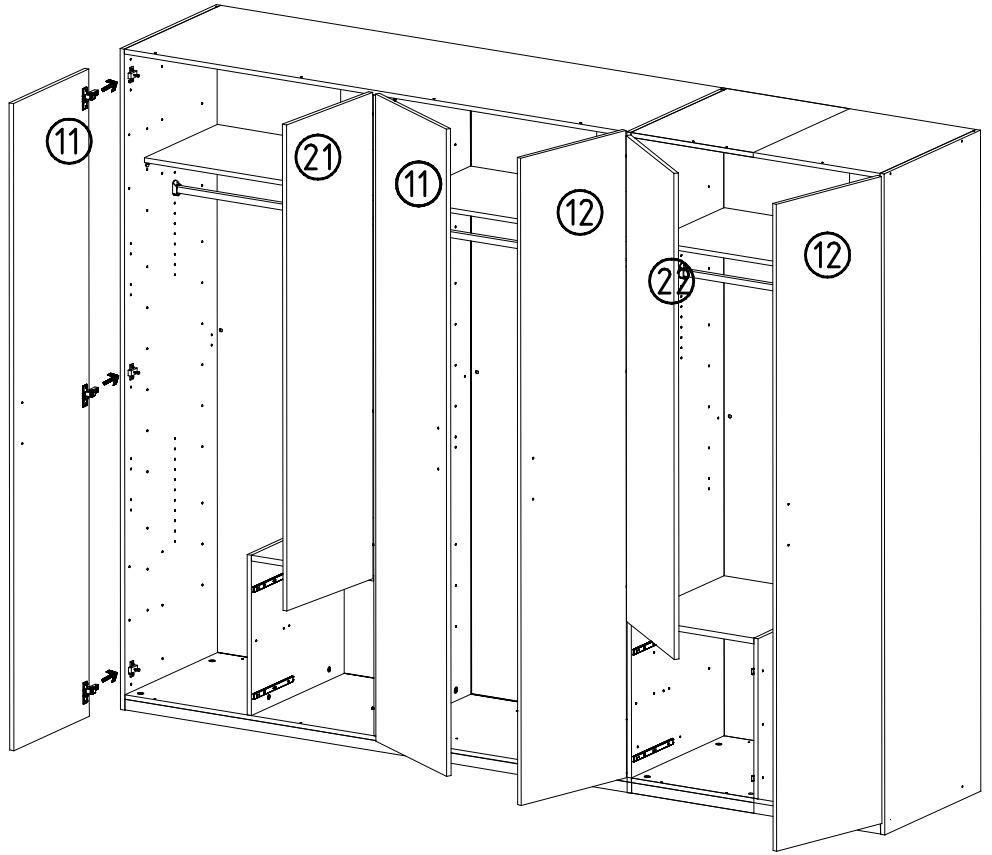
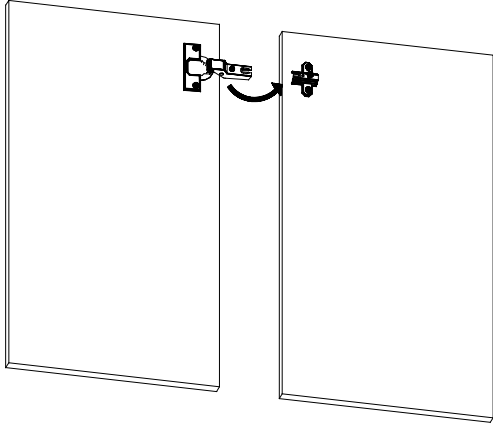
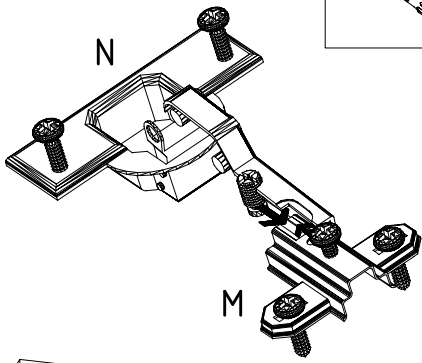
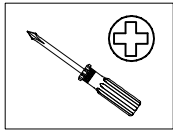
17



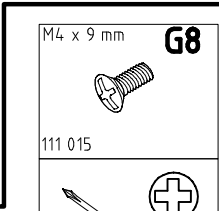
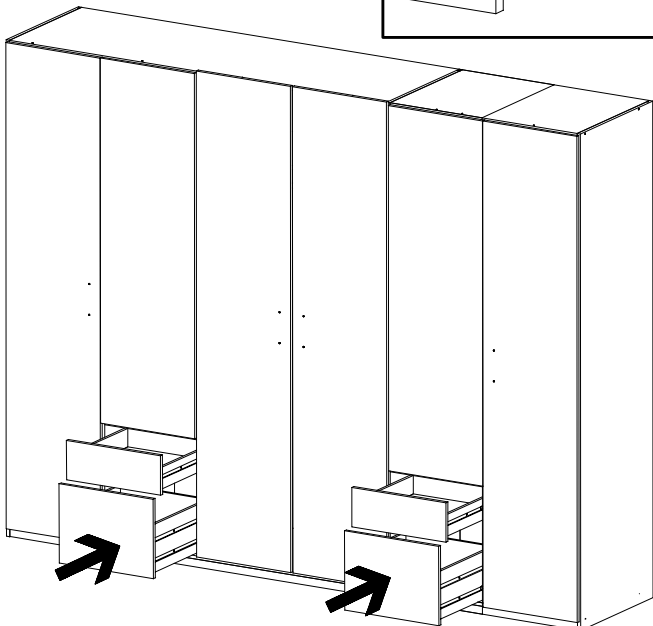
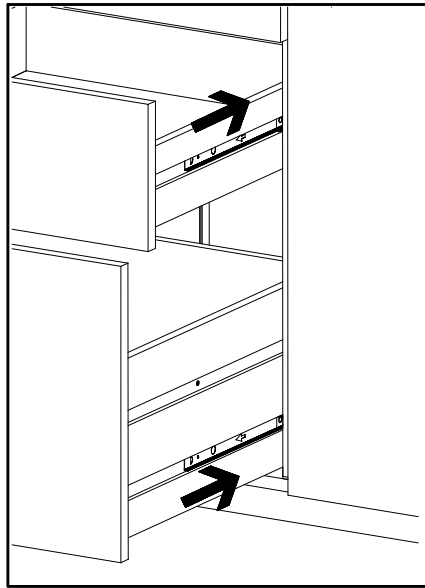
18



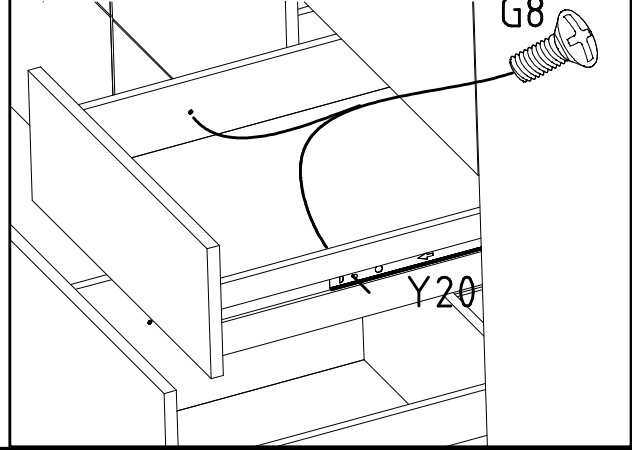
19



20



21

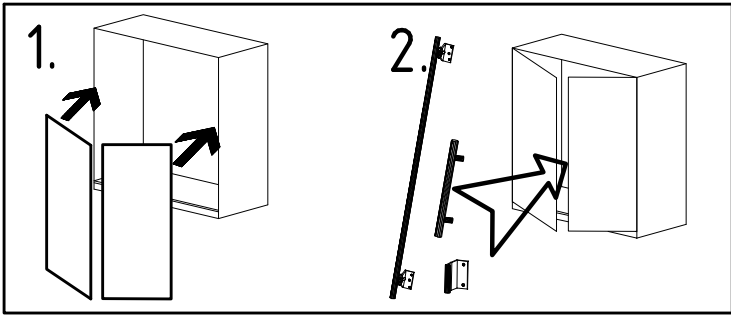
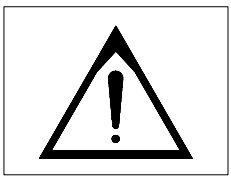


980573

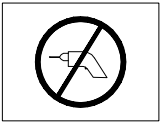
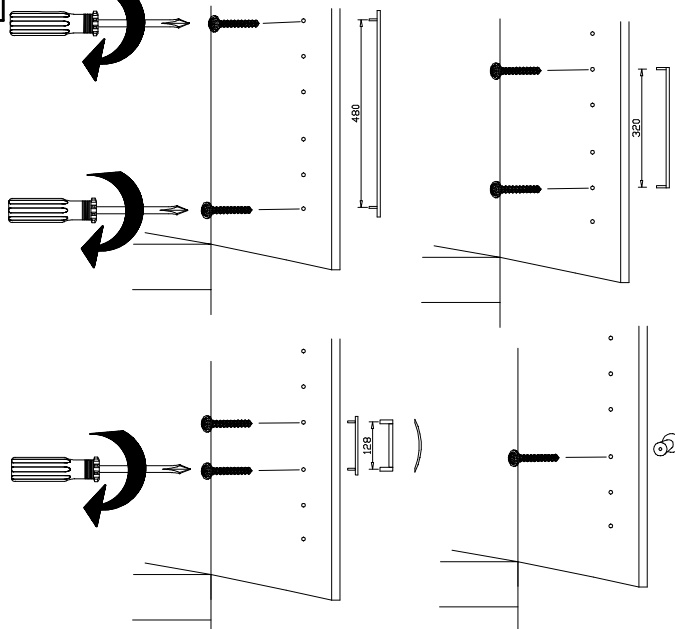
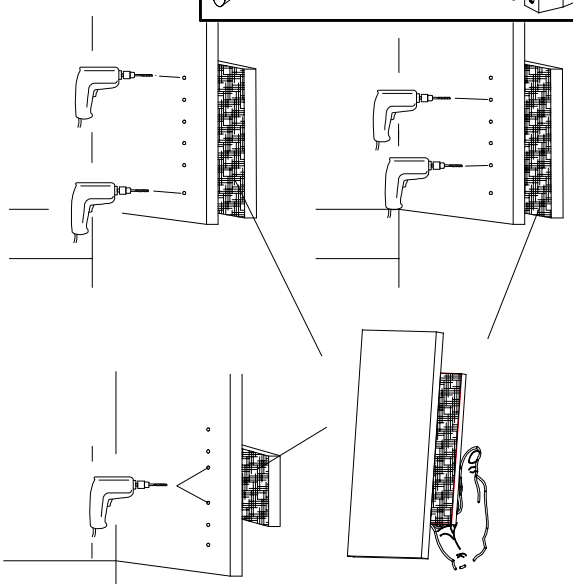
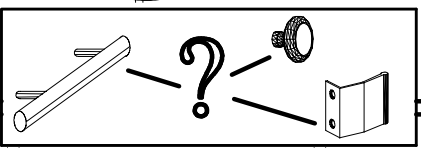
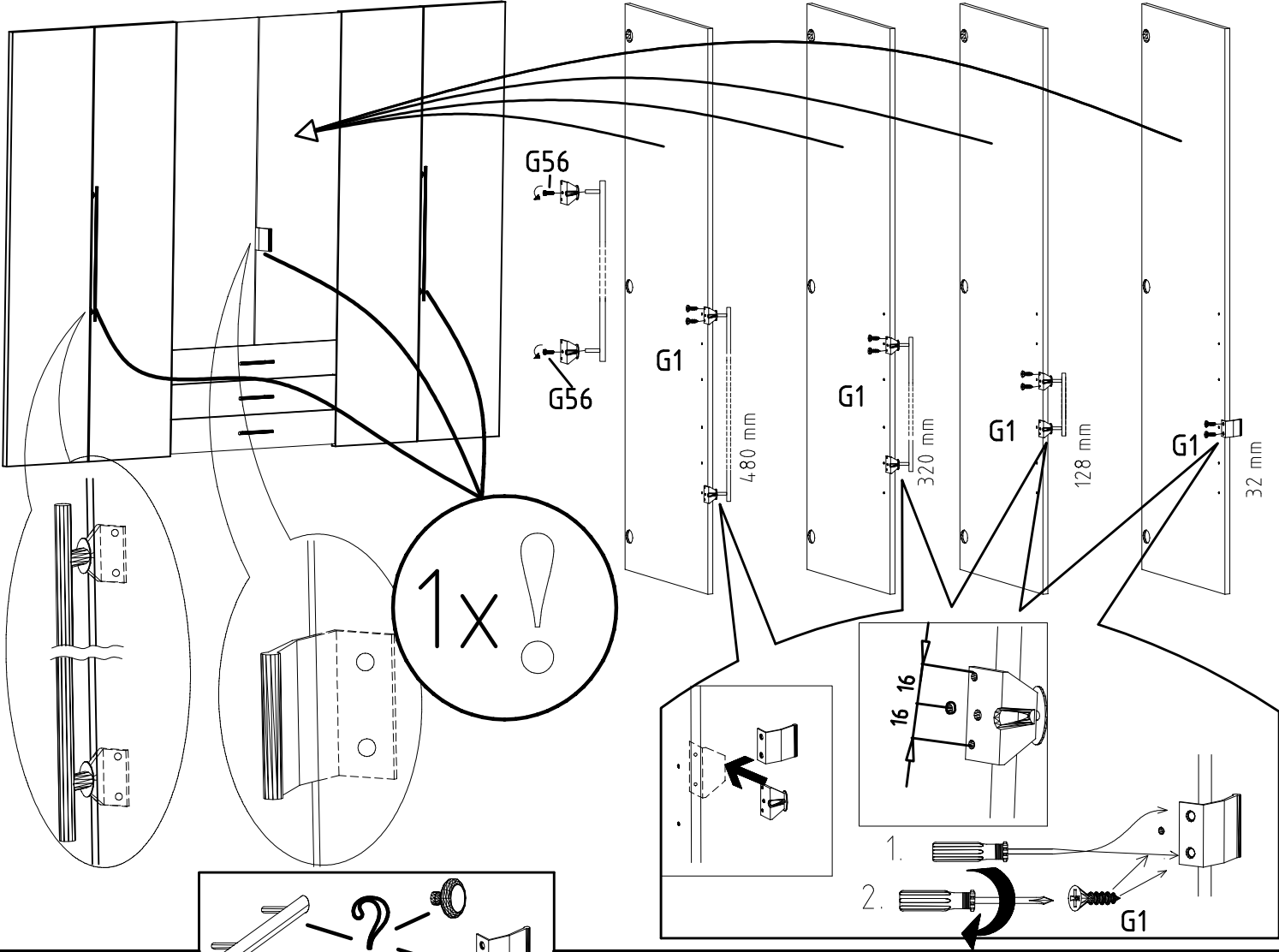
25.03.15 / 25.10.16

10 16

11/13



3,5 x 15 mm  121 370	G1	4,0 x 12 mm  122 625	G56
----------------------------	----	----------------------------	-----



	SP27
4 X 27mm 	G49
122620 4,0x22	
122 609	

