







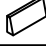





ASSEMBLY INSTRUCTION

Thank you for purchasing this quality product. Be sure to check all packing material carefully for small parts, which may have come loose inside the carton during shipment. Identify and count all parts and compare with the **HARDWARE LIST** below.

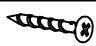
Caution: Please read instructions thoroughly before unpacking assembly parts. Sharp, exposed staple tips can cause injury, therefore, for your protection, please remove any exposed staples used in packing.

1. We recommend that you assemble this product with the assistance of another person; this will make assembly easier, and will help to eliminate damage to the product or injury to persons during assembly.
2. Please do not over tighten screws or bolt until the assembly is completed.
3. Please put all parts on a non-abrasive floor before assembly, and follow the assembly steps to assemble your sofa.

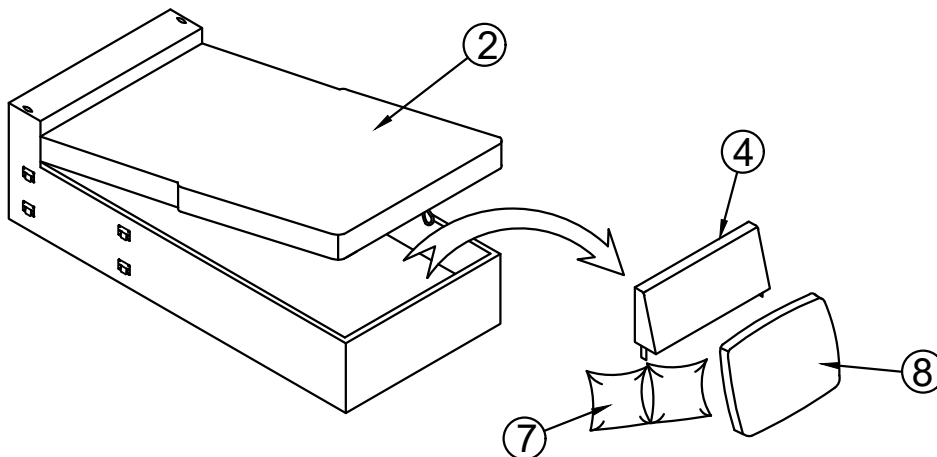
PARTS LIST

No	Description	Sketch	Q'ty	No	Description	Sketch	Q'ty
1	Love seat		1 PC	7	Pillow		2 PCS
2	Chaise		1 PC	8	Back Cushion		1 PC
3	Loveseat back		1 PC				2 PCS
4	Chaise back		1 PC	9	Legs 1		4 PCS
5	Left Facing Arm		1 PC	10	Ottoman		2 PCS
6	Right Facing Arm		1 PC	11	Legs 2		4 PCS

HARDWARE LIST

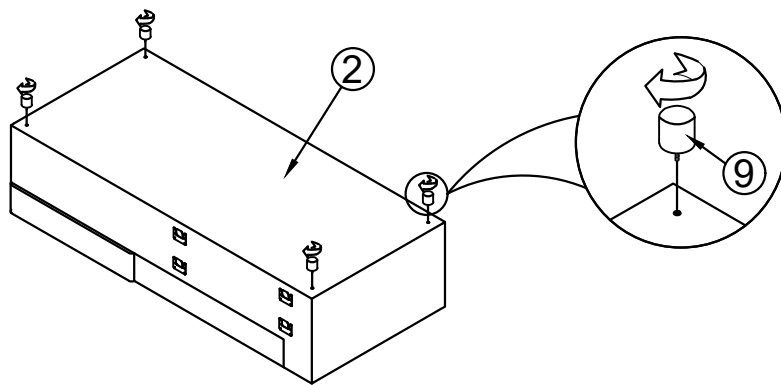
No	Description	Sketch	Q'ty
A	Screw		8PCS

Step 1 :

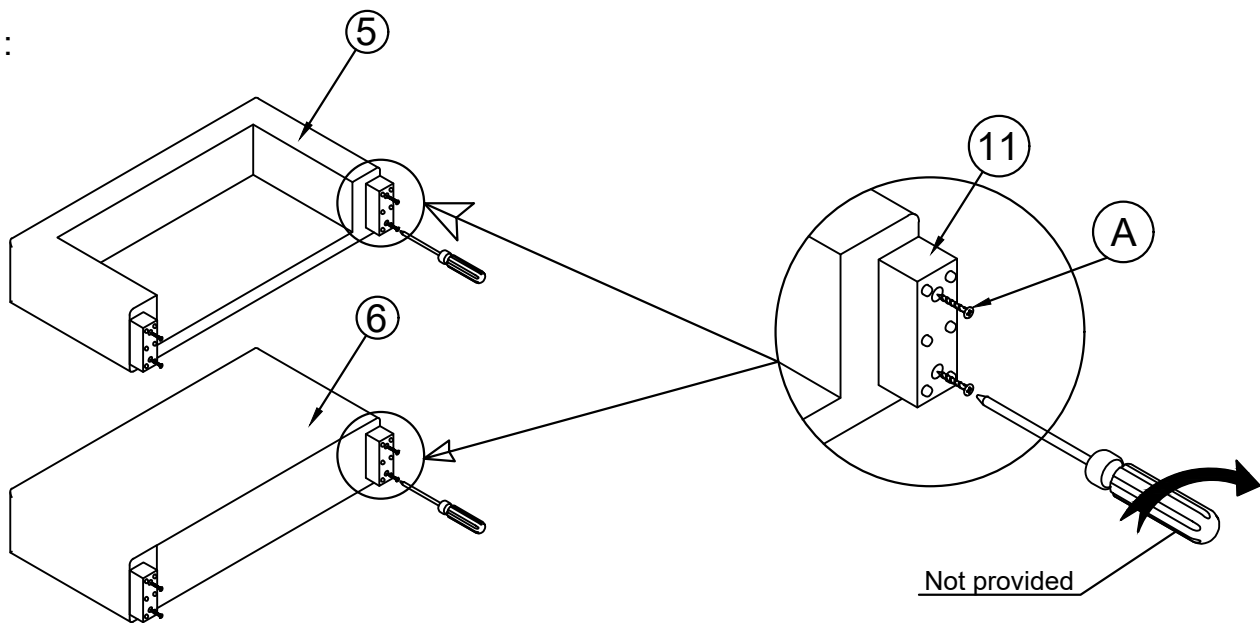


ASSEMBLY INSTRUCTION

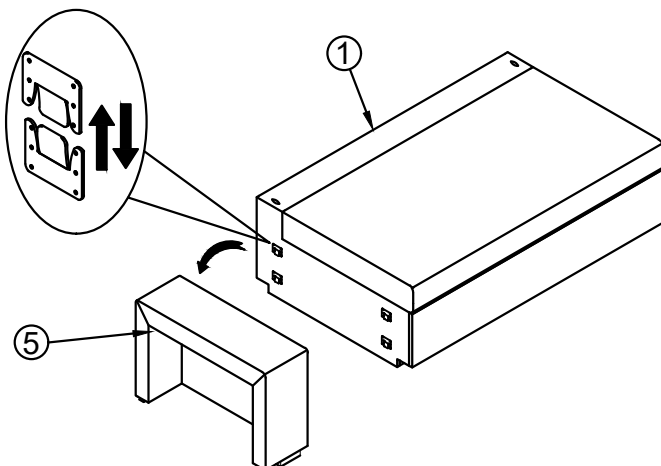
Step 2 :



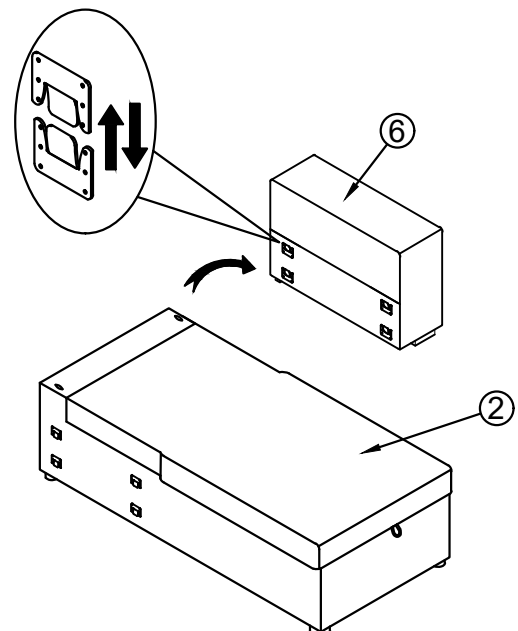
Step 3 :



Step 4 :

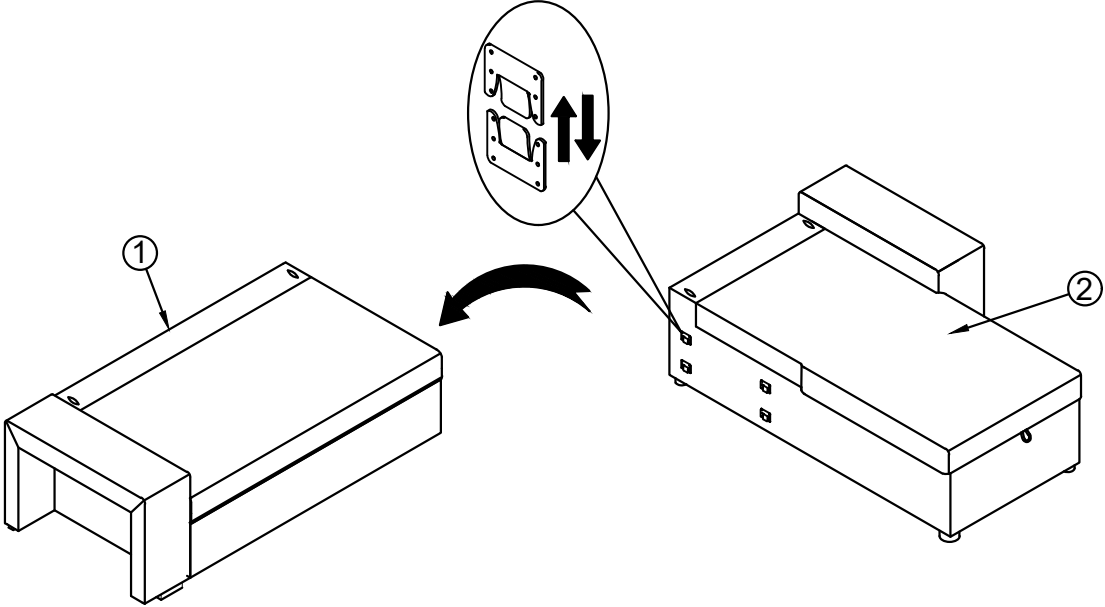


Step 5 :

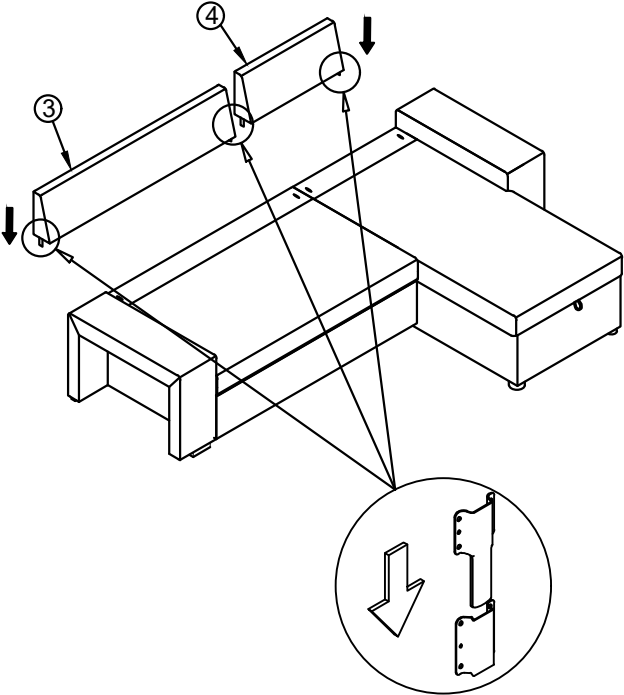


ASSEMBLY INSTRUCTION

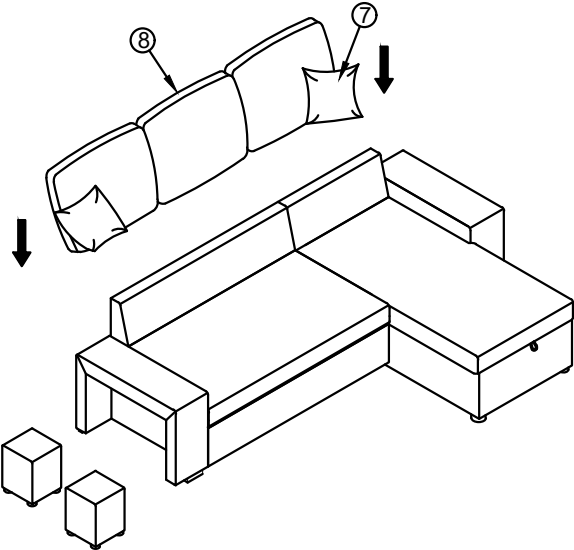
Step 6 :



Step 7 :

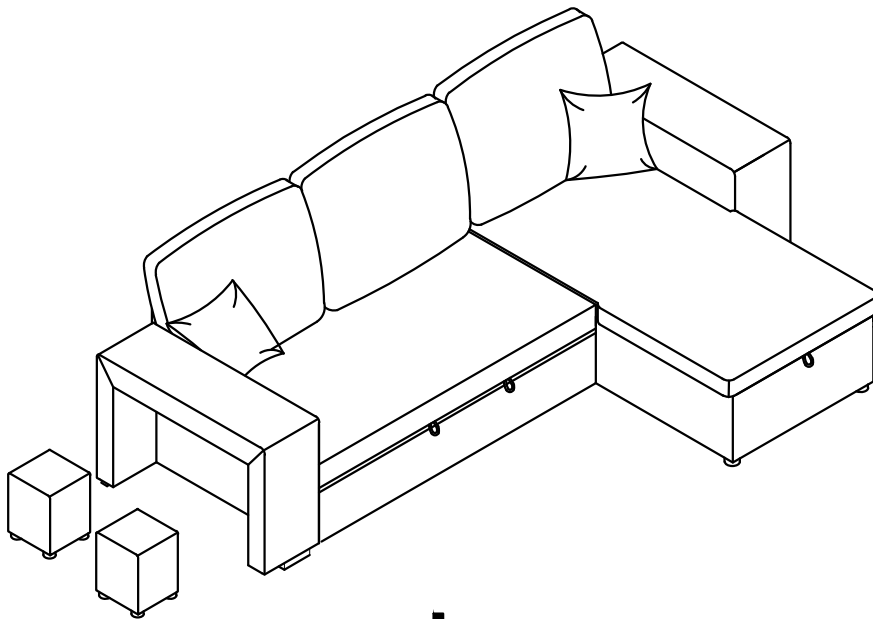


Step 8 :



ASSEMBLY INSTRUCTION

Option 1:



Option 2:

