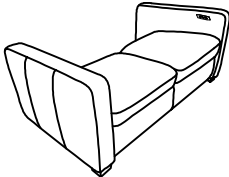

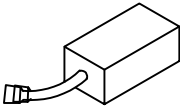



# Assembly Instruction

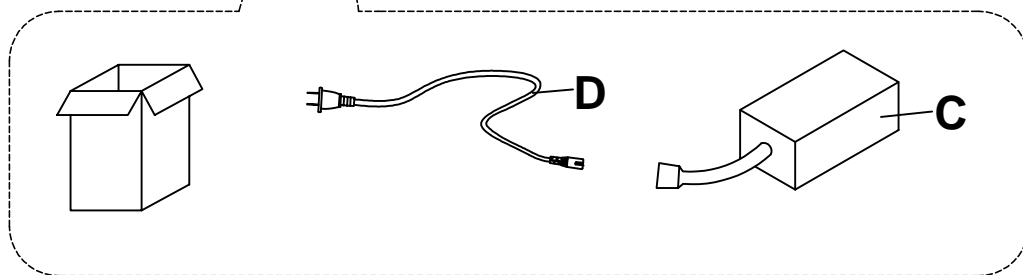
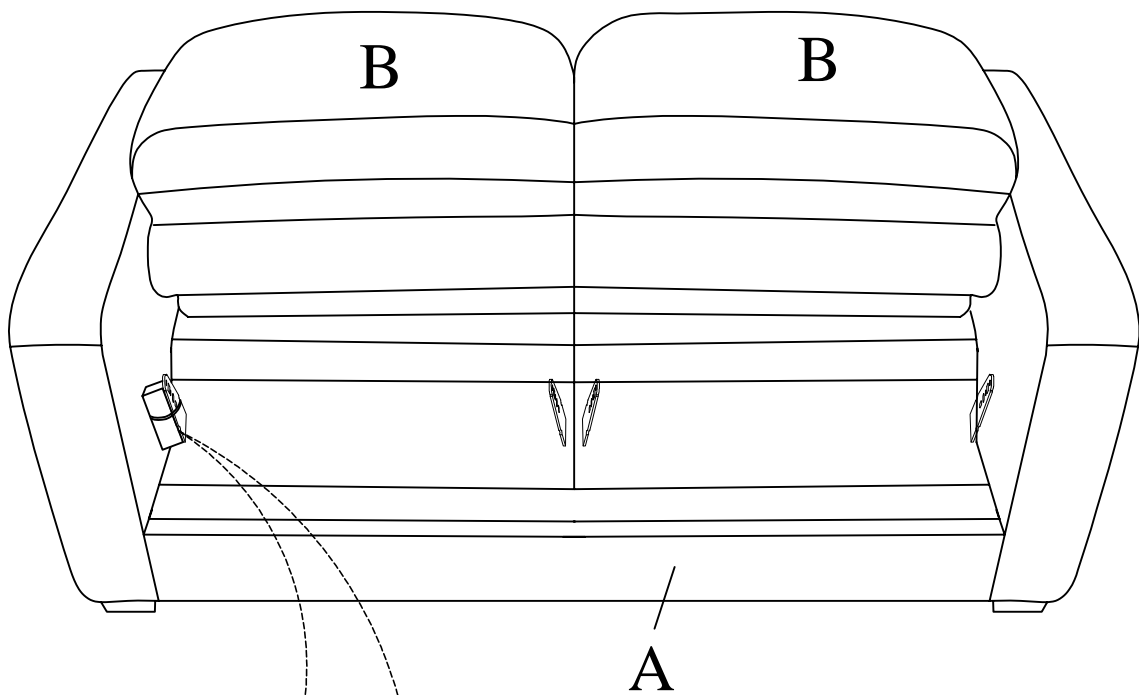
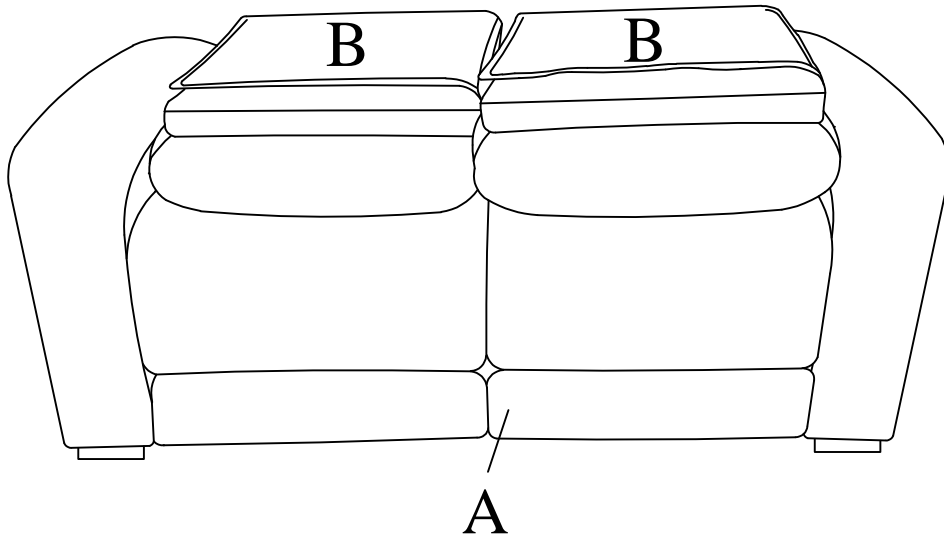
## Power Double Reclining Love Seat With USB Ports

Note: Do not use power tools for assembly. Power tools increase the risk of over tightening which lead to splitting or cracking the wood.

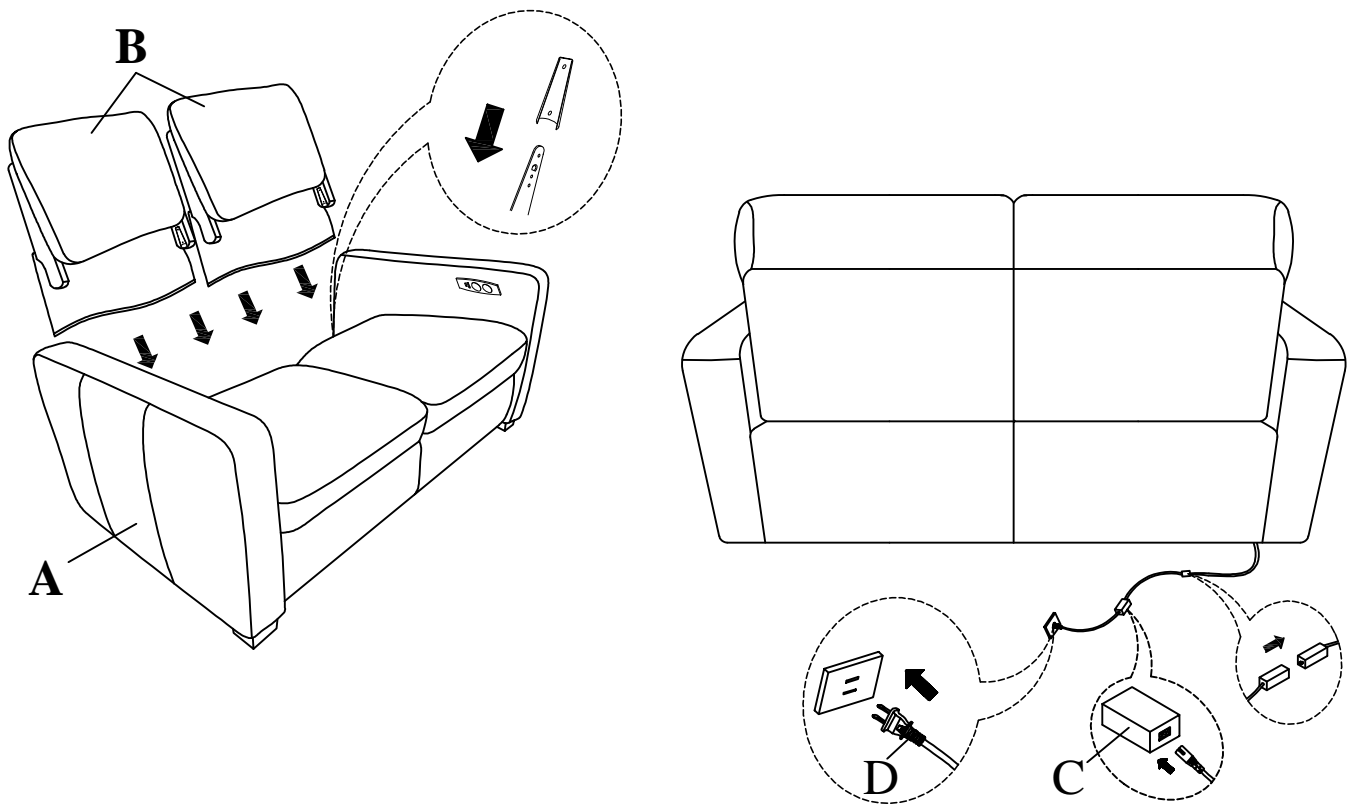
### Component list

| No       | Drawing   | Qty      | Description     |
|----------|---|----------|-----------------|
| <b>A</b> |    | <b>1</b> | <b>Seat</b>     |
| <b>B</b> |   | <b>2</b> | <b>Backrest</b> |
| <b>C</b> |  | <b>1</b> | <b>Adaptor</b>  |
| <b>D</b> |  | <b>1</b> | <b>Plug</b>     |

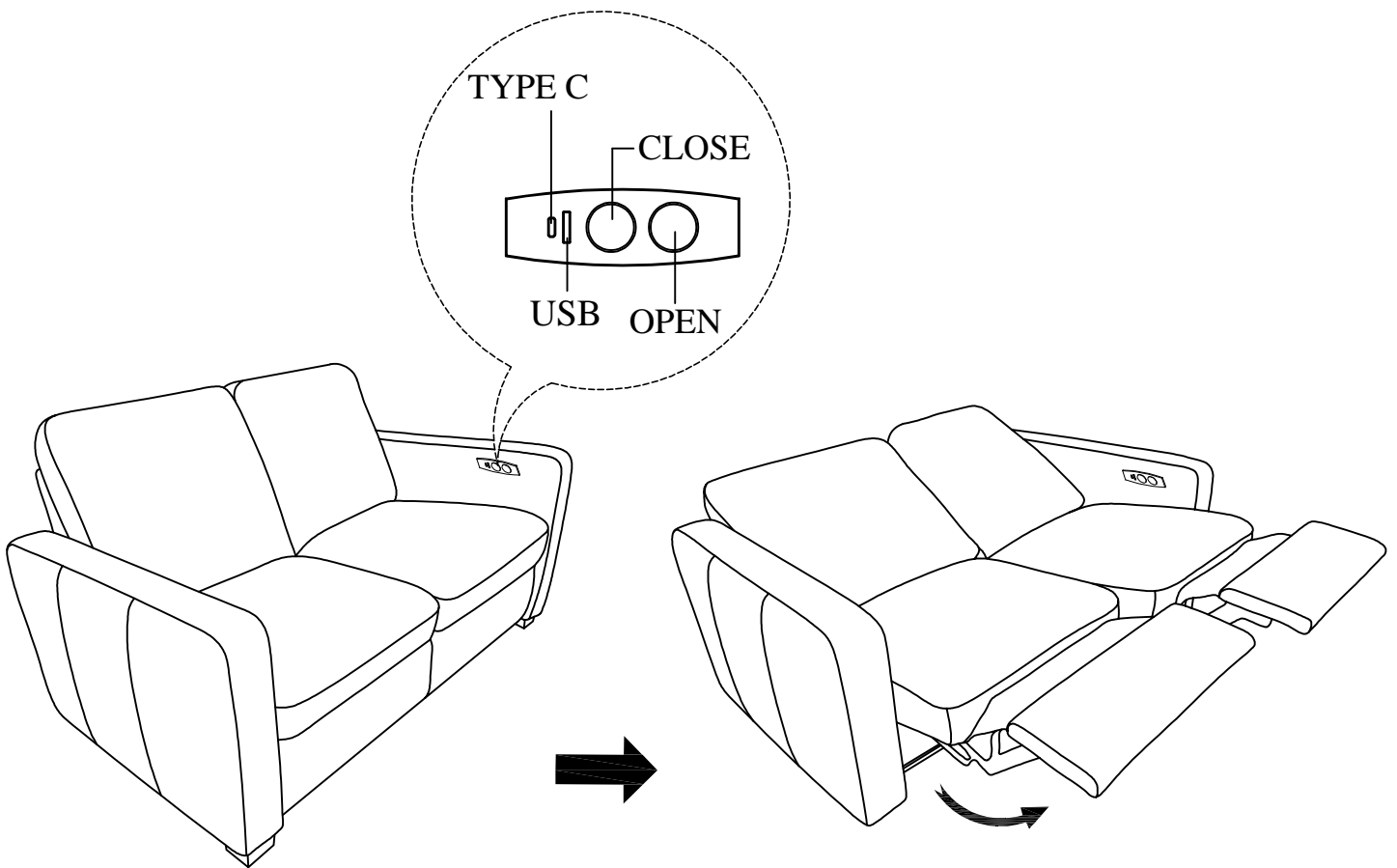
THE PARTS ARE LOCATED INSIDE THE BOX AS BELOW:



# Step #1

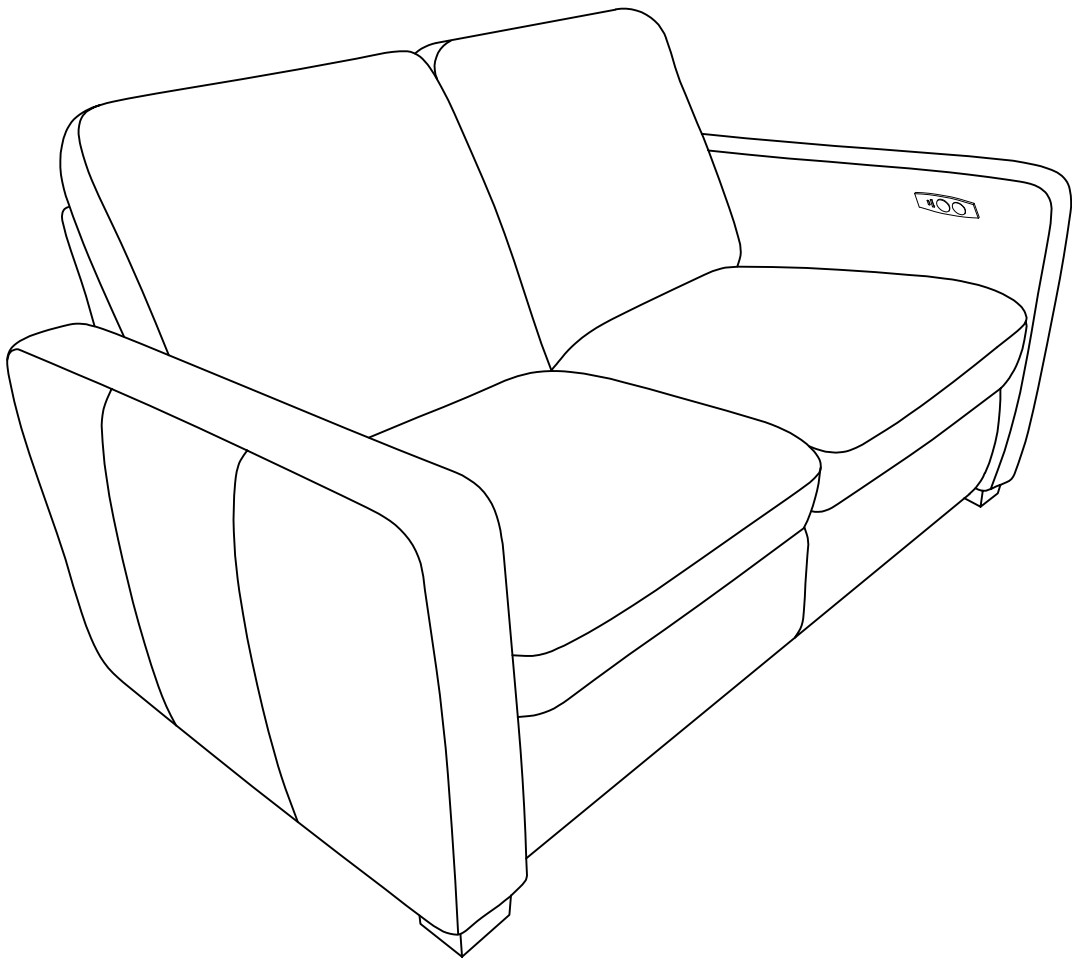


# Step #2



### Step #3

Assembly completed.



## Care Instruction for Chenille Furniture:

In order to maintain the original appearance of your chenille fabric, please follow below simple care procedures:

- Avoid exposing furniture directly to sunlight or heating and air conditioning outlets. Sunlight and/or exposure to heating and air conditioning outlets will fade/damage chenille. Do not place your upholstered furniture too close to windows, radiators, or vents, and be sure to use windows, radiators, or vents.
- Vacuum or wipe with a soft cloth to remove dust.
- Hardware may loosen over time. Periodically check to make sure all connections are tight. Re-tighten if necessary.



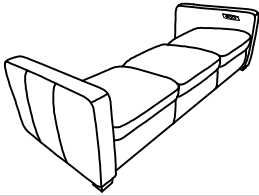

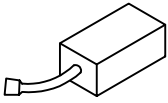
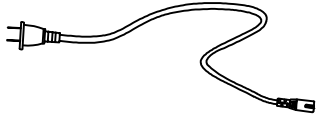
For items use on wooden floor, hard surfaces or carpets, it is recommended to Install protective pads under all legs and supports to avoid/prevent from damages/scratches and discoloration.

# Assembly Instruction

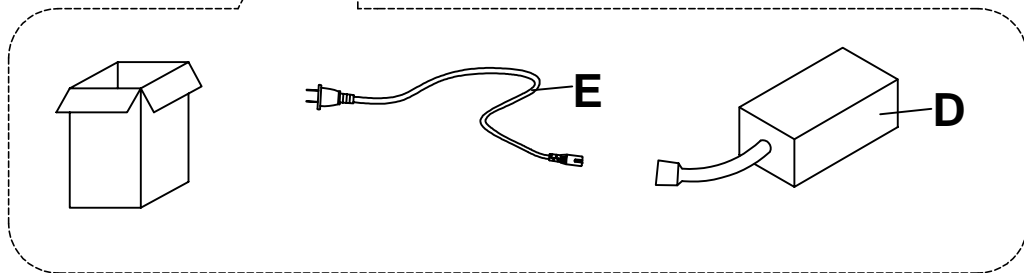
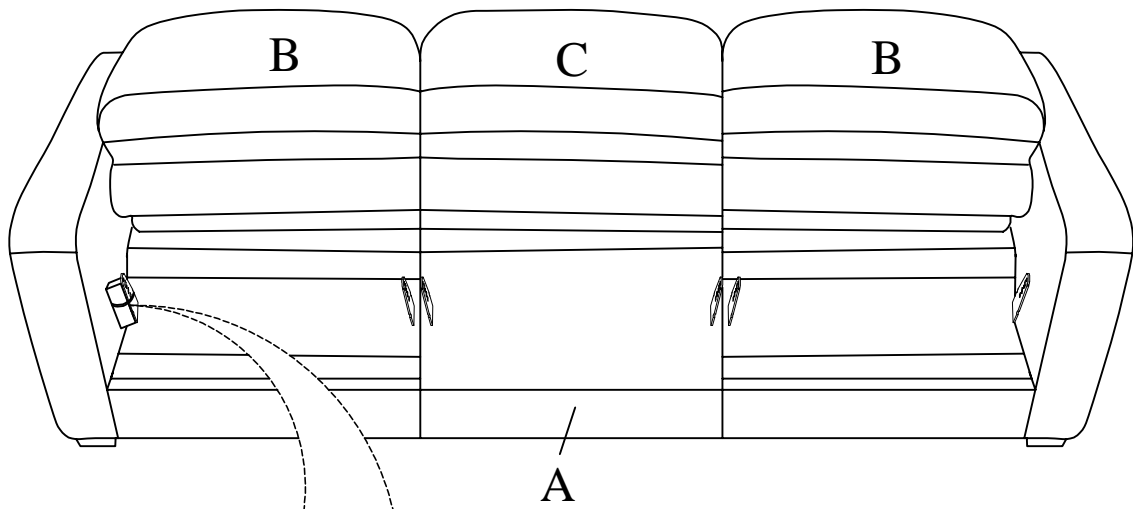
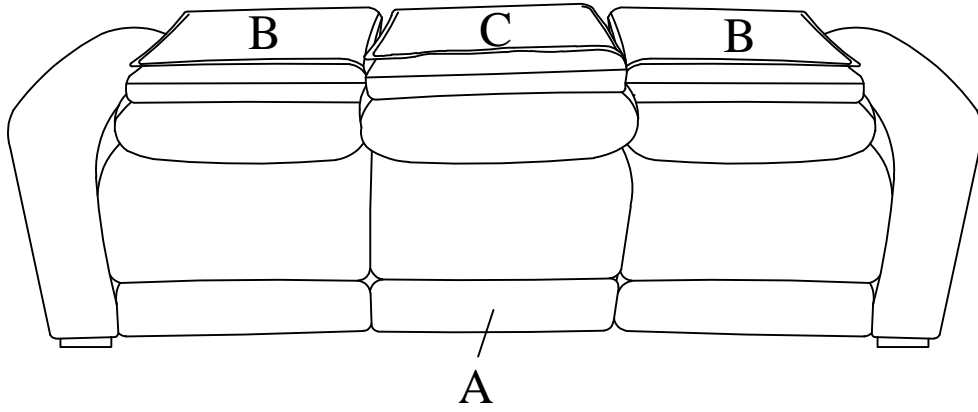
## Power Double Reclining Sofa with USB Ports

Note: Do not use power tools for assembly. Power tools increase the risk of over tightening which lead to splitting or cracking the wood.

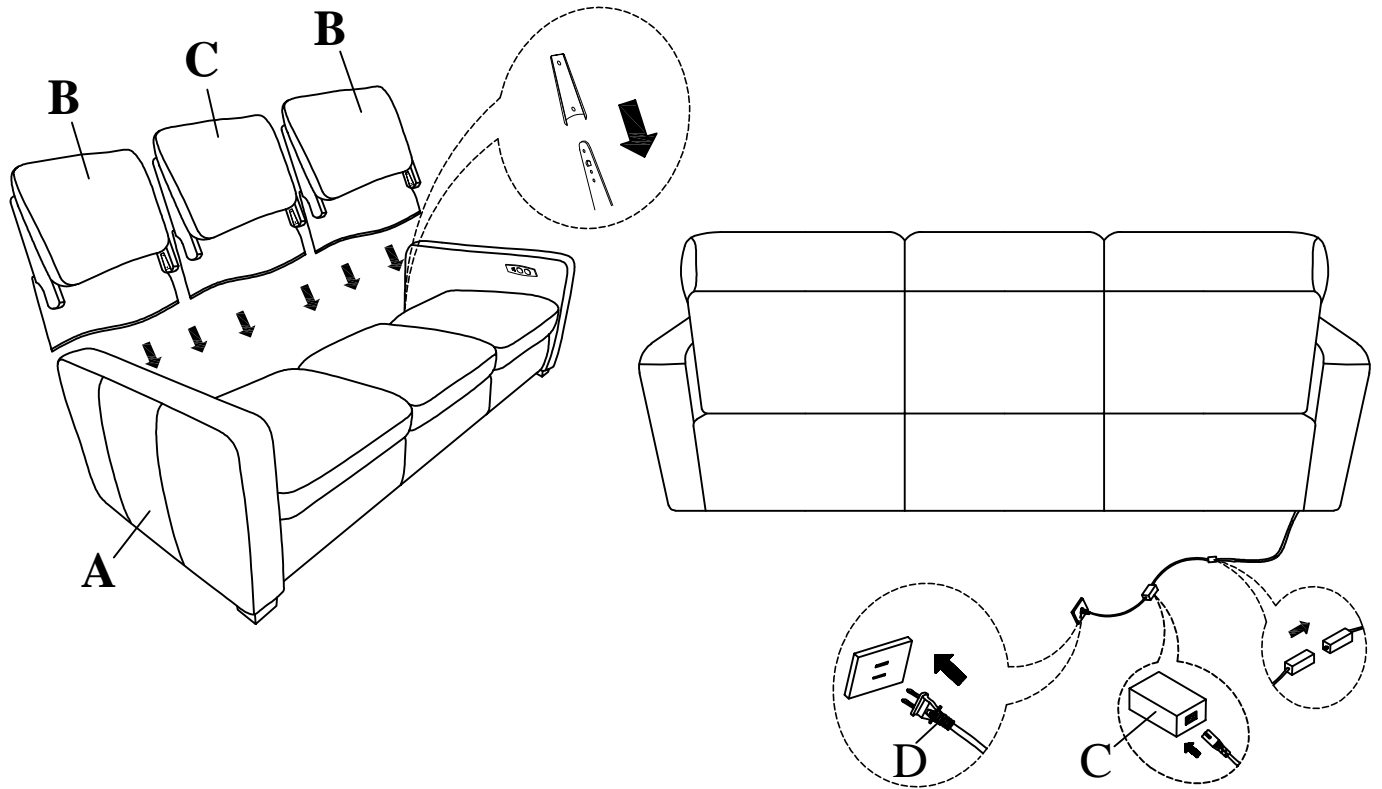
### Component list

| No       | Drawing   | Qty      | Description             |
|----------|---|----------|-------------------------|
| <b>A</b> |    | <b>1</b> | <b>Seat</b>             |
| <b>B</b> |   | <b>2</b> | <b>LSF/RSF Backrest</b> |
| <b>C</b> |  | <b>1</b> | <b>Middle Backrest</b>  |
| <b>D</b> |  | <b>1</b> | <b>Adaptor</b>          |
| <b>E</b> |  | <b>1</b> | <b>Plug</b>             |

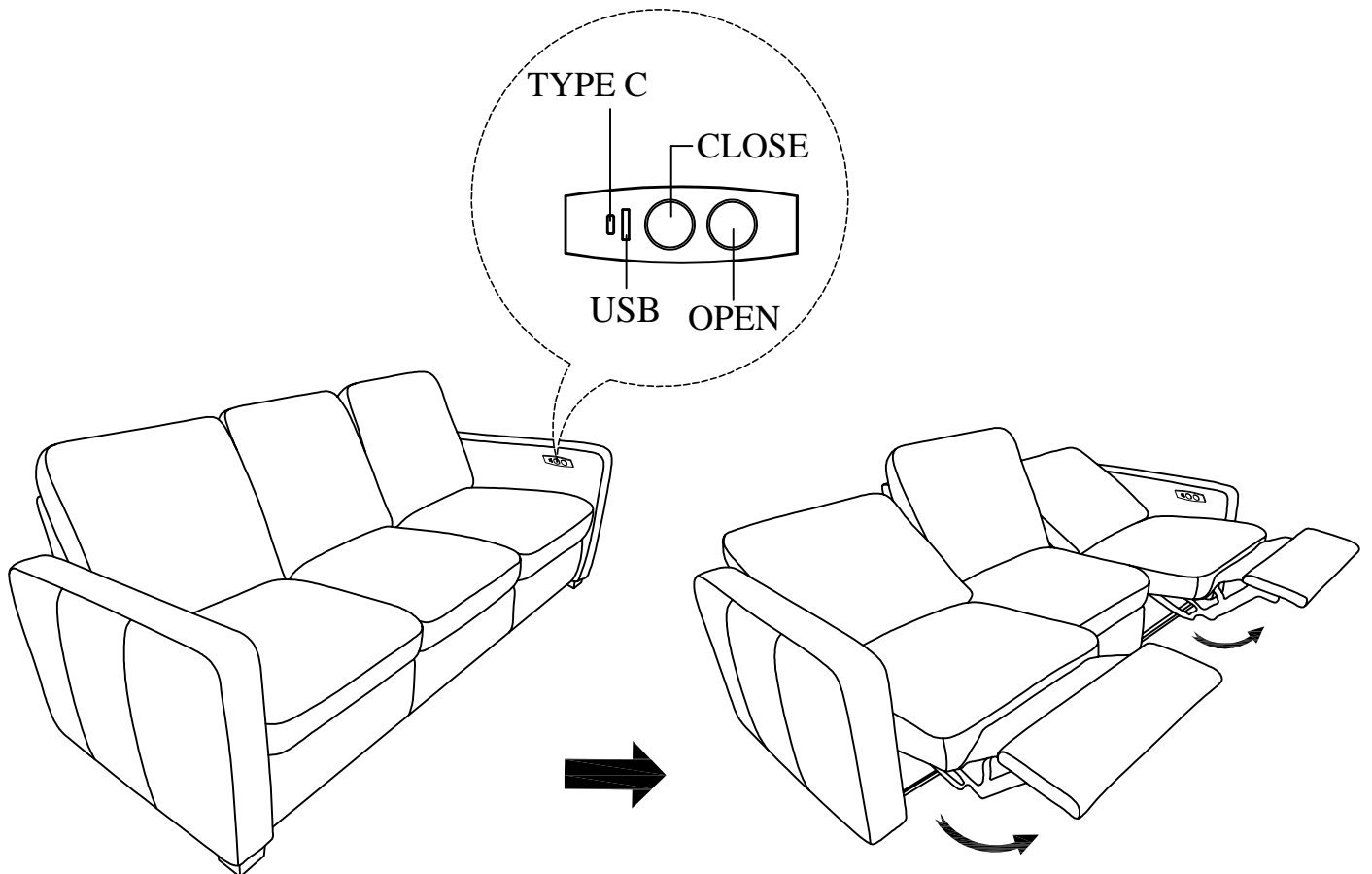
THE PARTS ARE LOCATED INSIDE THE BOX AS BELOW:



Step #1

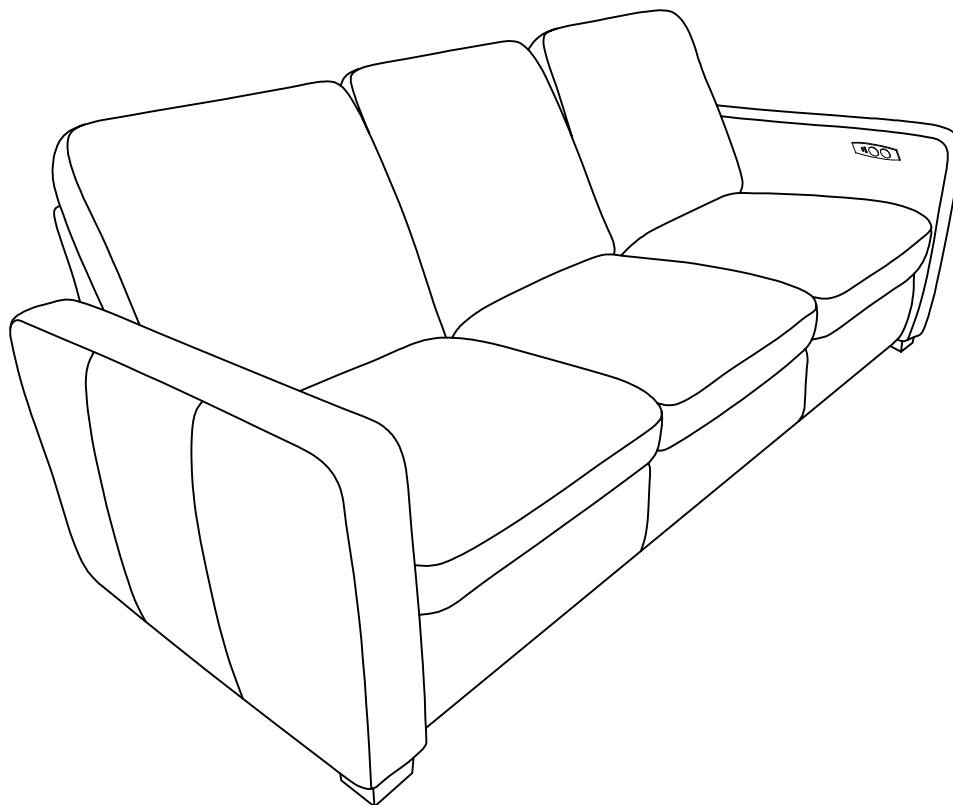


Step #2



### Step #3

Assembly completed.



## Care Instruction for Chenille Furniture:

In order to maintain the original appearance of your chenille fabric, please follow below simple care procedures:

- Avoid exposing furniture directly to sunlight or heating and air conditioning outlets. Sunlight and/or exposure to heating and air conditioning outlets will fade/damage chenille. Do not place your upholstered furniture too close to windows, radiators, or vents, and be sure to use windows, radiators, or vents.
- Vacuum or wipe with a soft cloth to remove dust.
- Hardware may loosen over time. Periodically check to make sure all connections are tight. Re-tighten if necessary.



For items use on wooden floor, hard surfaces or carpets, it is recommended to Install protective pads under all legs and supports to avoid/prevent from damages/scratches and discoloration.