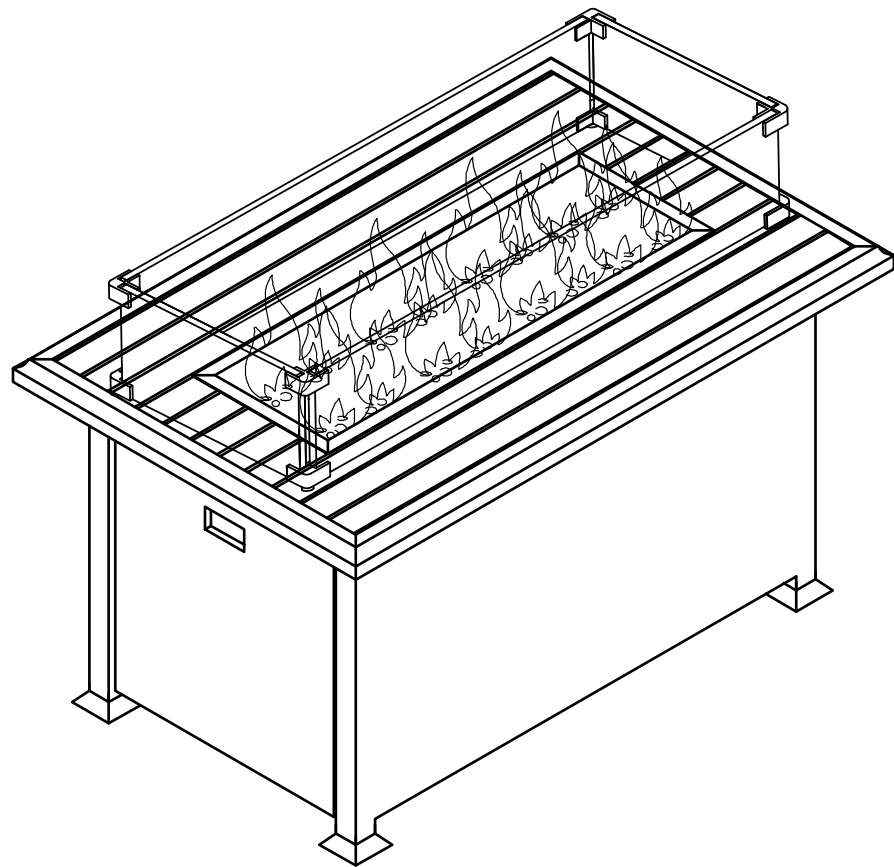


MEISSALIVVE

MANUAL INSTRUCTION

Fire Pit Table Assembly & Care Instruction



ATTENTION

Thanks for choosing our product.

1. Please check the manual carefully and make sure you have received all the parts
2. If there is any missing parts, please let us know the letter of the parts you need.
3. If there is any damage parts, please send clear photos to us, we will check and offer you best solution soon.
4. There will be 2 boxes in total for this whole product.
5. This fire pit table need a 1 AA 1.5V battery to ignite. (Note:The battery is not included.)

⚠️ WARRANTY AND RETURN

1. We offer a 1-year warranty and free replacement for any damaged or defective parts you receive. Please check the condition of your package upon delivery.
2. If you have any questions, please contact our customer service immediately.

❗ CONTACT INFORMATION

1. If you ordered our product on Amazon/ Walmart/ Wayfair etc., please log in to your Amazon/ Walmart/ Wayfair account to contact us.
2. If you ordered our product on Shopify, please contact us at service@meissalivve.com. Our customer service team will reply within 24 hours.

TOOLS REQUIRED



ALLEN WRENCH
(WITH THE PRODUCT)



DO not use machine



2 Persons
Assembly



Minimum
60 Minutes
For Assembly

How To Cover Holes & Repair Broken Wicker

You can use two pieces PE wicker to cover the hole, and repeat the steps to cover all the holes. These PE wicker can also be used to repair the scratch or broken wicker.



Step 1



Step 2



Step 3



Step 4



WARNING! HOT SURFACE!



GLASS, FRAGILE!



HANDLE WITH CARE



HEAVY OBJECT.
TWO PERSON LIFT REQUIRED.



LP SAFETY:

- Do not store a spare LP-gas cylinder under or near this appliance.
- Never fill the cylinder beyond 80 percent full.
- If the information in “(a)” and “(b)” is not followed exactly, a fire causing death or serious injury may occur.

Do not use this appliance under overhead combustible surfaces.

MINIMUM CLEARANCES:

- Bottom: Non-Combustible Surface
- Top: 60 inches.
- Sides: 36 inches.
- For Installation on (or over) non-combustible foors only
- Max. Input: 50,000 BTU/h
- Max. Gas Supply Pressure: 250 PSL
- Min. Gas Supply Pressure: 25 PSL



This appliance is for outdoor use only in a well-ventilated area. Do not use in buildings, garages, or other enclosed spaces.

- When not in use, turn off the gas at the cylinder.
- Indoor storage is permitted only if the cylinder is disconnected and removed.
- Store cylinders outdoors in a well-ventilated area, out of children’s reach.
- Disconnect cylinders and install valve plugs tightly. Do not store cylinders indoors or in enclosed spaces.
- Use the supplied gas pressure regulator, which must be the same model as the one provided with the unit.
- The cylinder supply system must allow for vapor withdrawal.
- Cylinders must have a collar to protect the valve.
- Use the included LP-cylinder stabilizer when the appliance is in use.

LP CYLINDER:

All LP cylinders to be used with this appliance must be:

- a. Constructed and marked in accordance with the specifications for LP-gas cylinders Standard, CAN/CSA B339, Cylinders, Spheres and Tubes for the Transportation of Dangerous Goods.
- b. Provided with a listed overfilling prevention device.
- c. Provided with a cylinder connection device compatible with the connection for outdoor cooking appliances.
- d. Only a 20 lb (9 kg) LP gas cylinder is to be used for this appliance, approximately 18" (46cm) high & 12"(30 cm) diameter.

WARNING:

1. Ensure that all users, including children, are aware of the high surface temperatures during operation. Keep a safe distance to avoid burns or clothing ignition.
2. Supervise children near the appliance. Do not hang clothing or place flammable materials on or near the appliance.
3. Any safety guard or protective device removed for servicing must be replaced before operating the appliance.
4. Installation and repairs must be performed by a qualified service technician.
5. Inspect the appliance before use and at least annually by a qualified technician. More frequent cleaning may be required.
6. Keep the control compartment, burners, and air passages clean for safe operation.

ENCLOSURES FOR SELF-CONTAINED LP GAS SYSTEMS:

An enclosure for an LP-gas cylinder shall be ventilated by openings at both the upper and lower levels of the enclosure. This shall be accompanied by one of the following:

- a. One side of the enclosure shall be completely open; or
- b. For an enclosure having four sides, a top, and a bottom:

At least two ventilation openings shall be provided in the sidewalls of the enclosure, located within 5 in (217 mm) of the top of the enclosure, equally sized, spaced at a minimum of 90 degrees (1.57 rad), and unobstructed.

The opening(s) shall have a total free area of not less than 1 in² per lb (14.2 cm² per kg) of stored fuel capacity.

Ventilation opening(s) shall be provided at floor level of the enclosure and shall have total free area of not less than 1/2 in² per lb (7.1 cm² per kg) of stored fuel capacity.

If ventilation openings at floor level area are in the side wall, there shall be at least two openings.

The bottom of the openings shall be 1 in (25.4 mm) or less from the floor level and the upper edge no more than 5 in (127 mm) above the floor level.

The openings shall be equally sized, spaced at a minimum of 90 degrees (1.57 rad), and unobstructed.

Every opening shall have minimum dimensions so as to permit the entrance of a 1/8 in (3.2mm) diameter rod.

Ventilation openings in sidewalls shall not communicate directly with other enclosures of the appliance.

CONNECTION

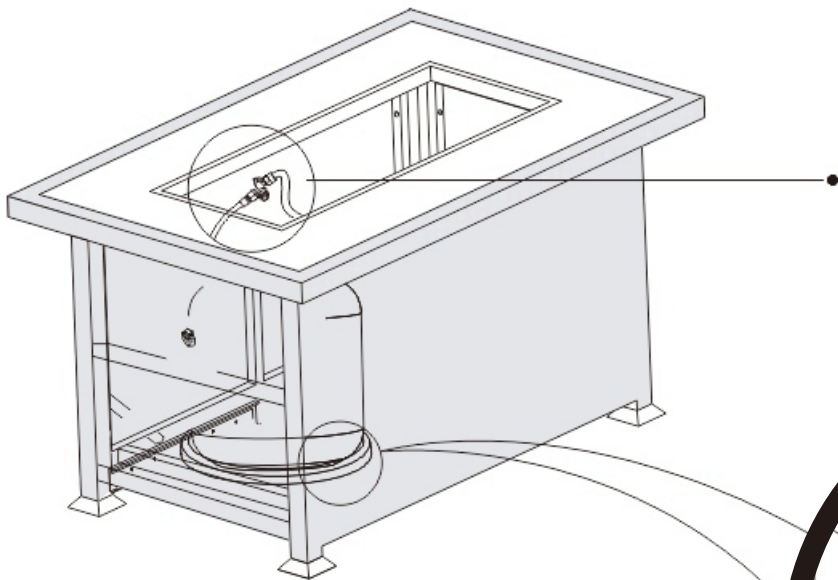
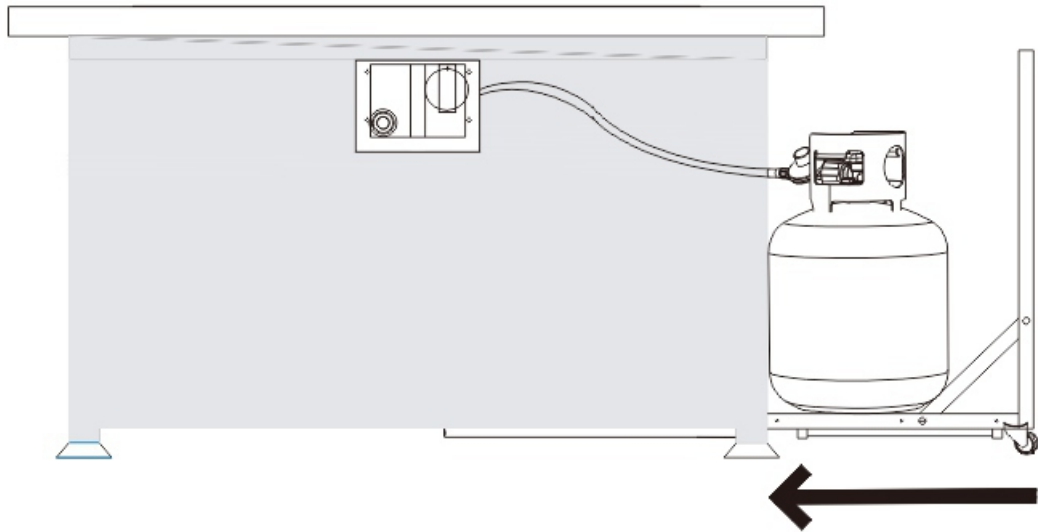
1. Ensure the cylinder valve and appliance valves are in the "OFF" position.
2. Place the full LP gas cylinder on the stabilizer ring. Secure the base of the cylinder by hand-tightening the wing-nut collar.
3. Center the nipple in the cylinder valve and hold it in place.
4. With the other hand, turn the handwheel clockwise until it stops. Do not use tools.
5. Hand-tighten only. When connecting, ensure the regulator is aligned with the cylinder valve to avoid cross-threading.
6. Perform a leak test on the connection.

DISCONNECTION:

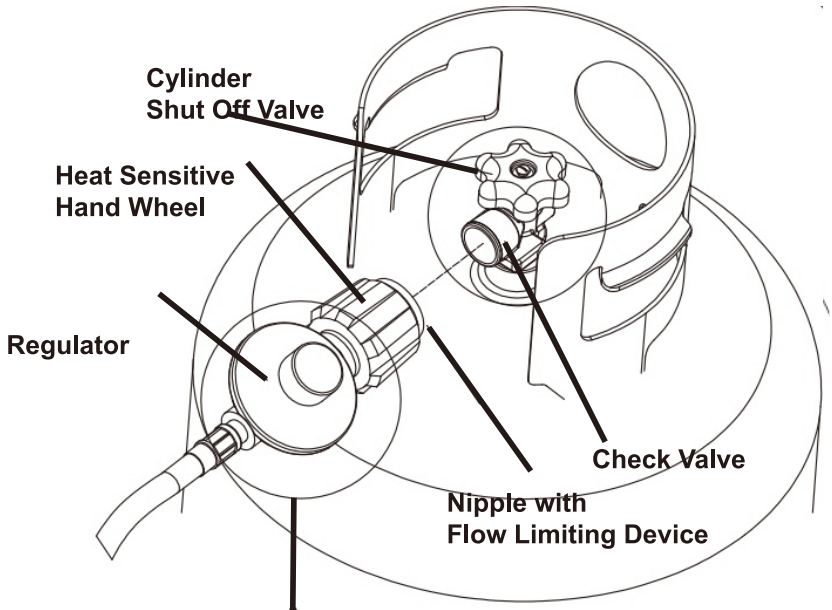
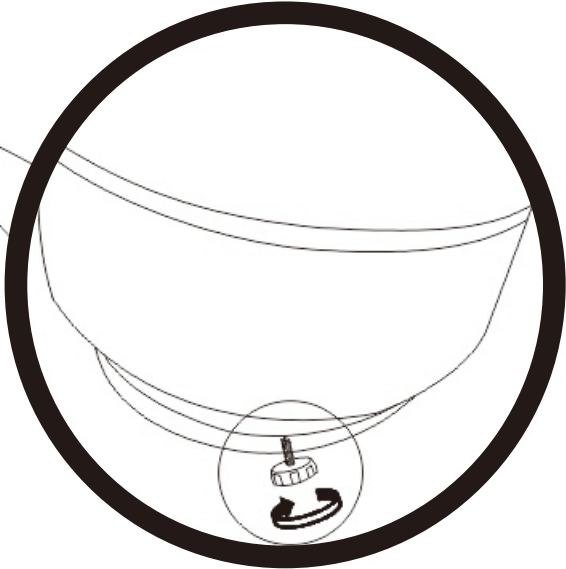
1. Be sure the cylinder valve and appliance valves are "off" before disconnection.
2. Using one hand, turn the hand wheel anticlockwise.

LEAK TEST:

1. DO NOT USE OR PERMIT SOURCES OF IGNITION IN THE AREA WHILE DOING THE LEAKTEST. THIS INCLUDES SMOKING
2. Leak testing should be done once per year or whenever the LP gas cylinder or any other gas system part is taken apart, serviced or replaced, whichever is more frequent.
3. Ensure all gas system coupling joints are tight and properly attached.
4. Prepare a leak testing solution of half liquid detergent and half water.
5. Apply the solution to the LP gas delivery system at points as shown in illustration indicated on page 5.
6. The leak(s) must be stopped by tightening the loose joints, if possible, or by replacing the faulty parts(s) with the part(s) recommended by the appliance manufacturer.



LEAK TEST:
 Apply the solution to the LP gas delivery system at points:
 1. Fire Table Valve Coupling
 2. Gas Hose Regulator
 3. Cylinder Valve Coupling

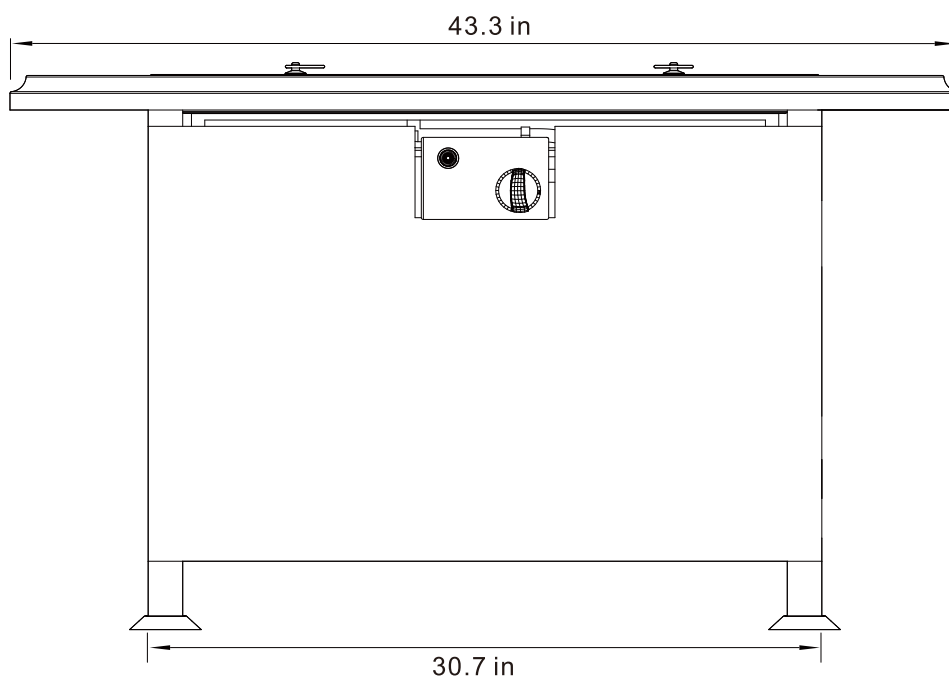
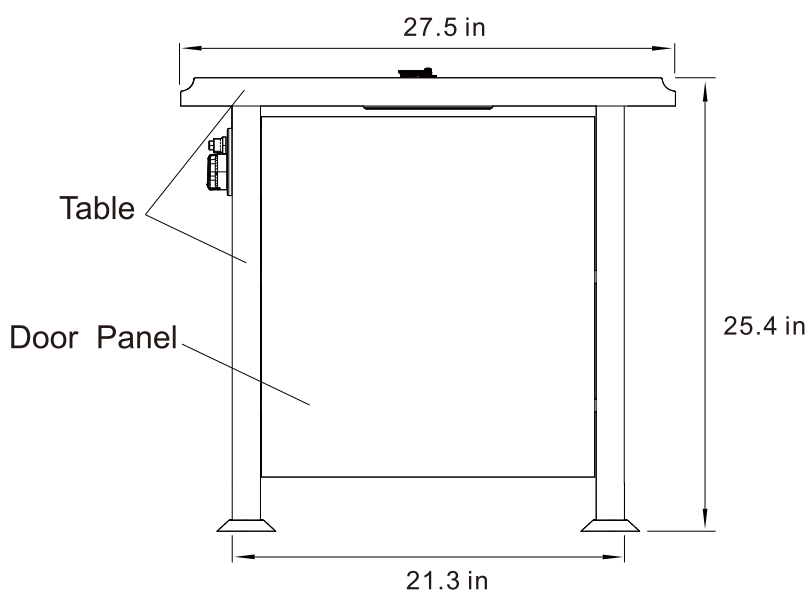


LEAK TEST:
 Apply the solution to the LP gas delivery system at points.
 Fire Table Valve Coupling; Gas Hose Regulator & Cylinder Coupling

CLEANING AND CARE

- Wipe off powder coated surfaces with soft, moist rag.
- Do not clean the heater with cleaners that are combustible or corrosive.
- Remove debris from the burner to keep it clean and safe for use.
- Cover the burner unit with the optional protective cover when the heater is not in use.

PARTS AND SPECIFICATIONS





WARNING:

- If the information in this manual is not followed exactly, a fire or explosion may result causing property damage, personal injury or loss of life. Installation and service must be performed by a qualified installer, service agency or the gas supplier.

THE APPLIANCE IS NOT TO BE USED UNTIL ANY LEAK IS CORRECTED.

1. Leak Handling

If a gas leak is detected, do not use the appliance until the leak is fixed. If attempts to stop the leak are unsuccessful, contact a gas appliance repair technician or LP gas dealer. Turn off the gas supply at the cylinder valve or remove the cylinder from the appliance until the issue is resolved.

2. Hose Inspection

Inspect the hose before each use. To access the hose, remove the side panels using the pull rings. If the hose shows signs of excessive wear or damage, replace it before operating the appliance. For replacement hoses, contact customer service. Always use the manufacturer's specified hose assembly.

3. Burner Inspection

Check the burner before each use. If the burner is damaged, replace it before use. For replacement burners, contact customer service.

4. Cleaning

If any part of the appliance (including the burner) becomes dirty, wipe it with a damp cloth. Do not use flammable or corrosive cleaning products on or near the appliance.

5. Hose Placement

Ensure the gas hose is placed where it will not be tripped over or damaged. Keep the area around the appliance clear of combustible materials, gasoline, or other flammable vapors and liquids.

6. Fuel Usage

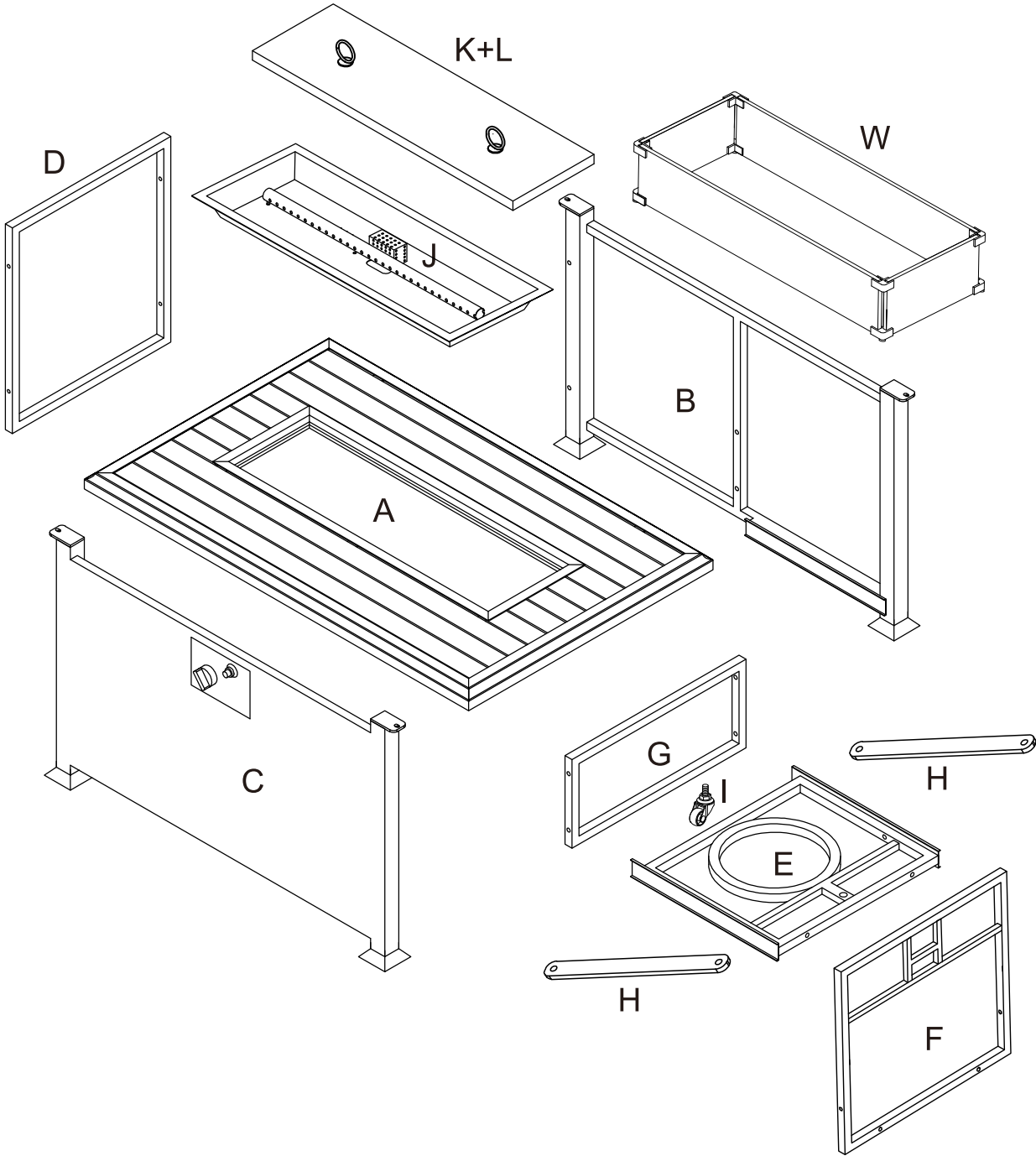
This appliance is designed for use with gas only. Do not use solid fuels.

7. Installation Compliance

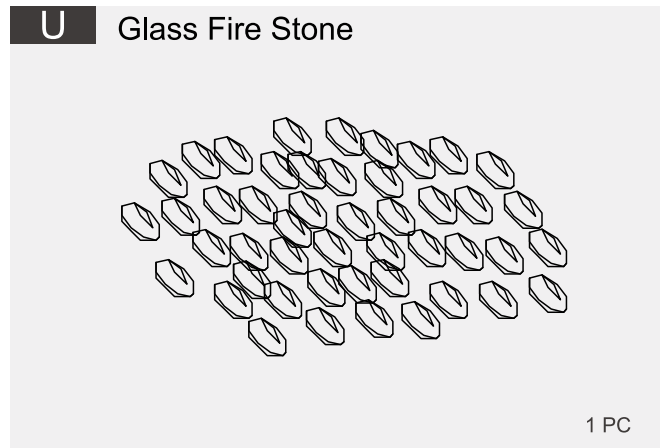
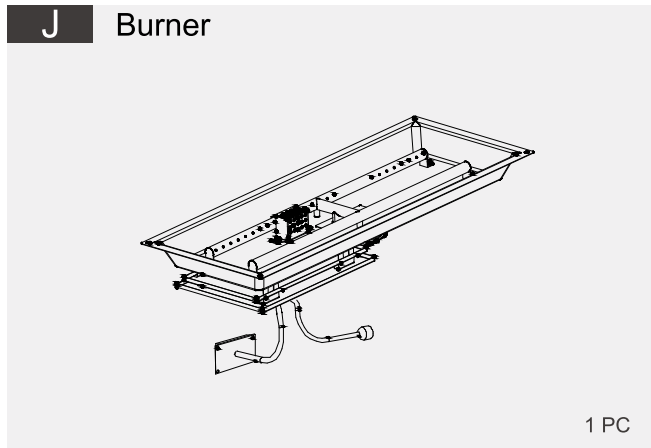
Installation must comply with local codes or, in the absence of local codes, with the following standards:

- National Fuel Gas Code, ANSI Z223.1-NFPA 54
- Natural Gas and Propane Installation Code, CSA B149.1
- Propane Storage and Handling Code, CSA B149.2

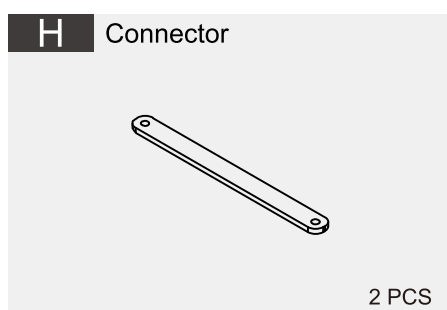
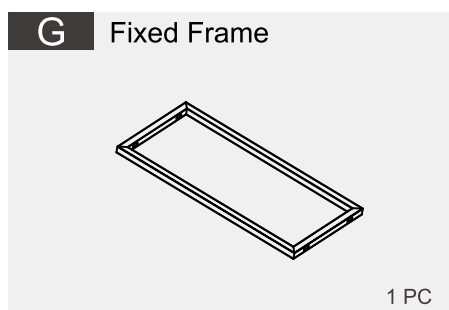
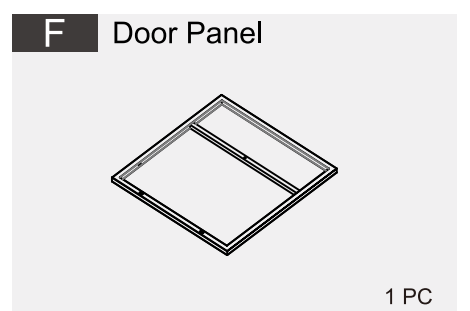
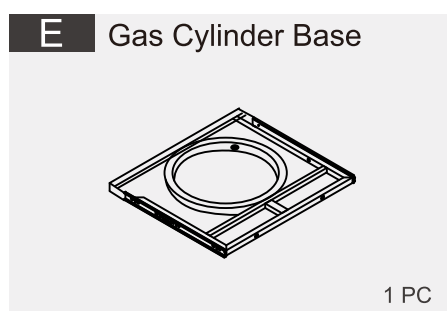
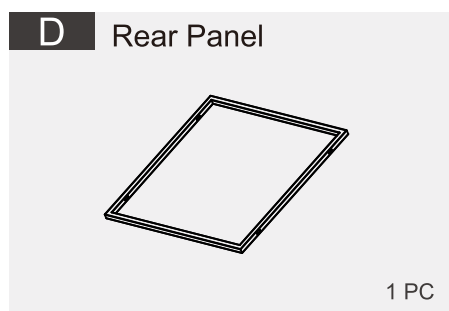
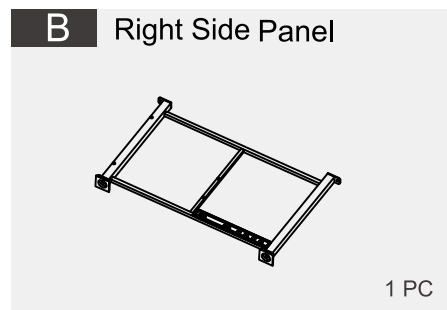
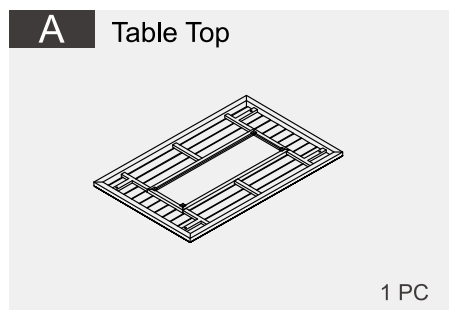
ASSEMBLY PARTS

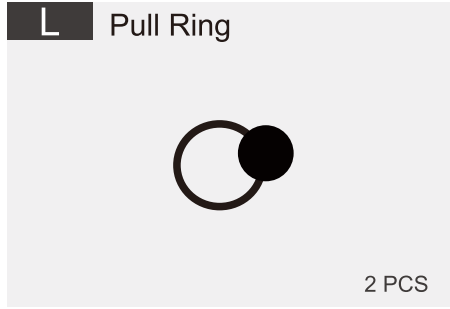


I PARTS

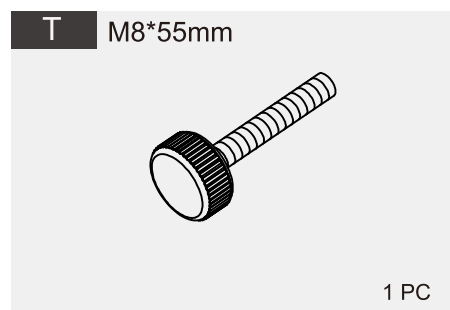
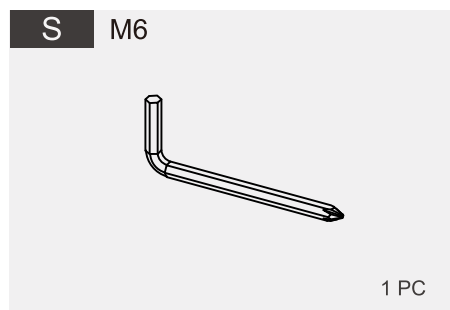
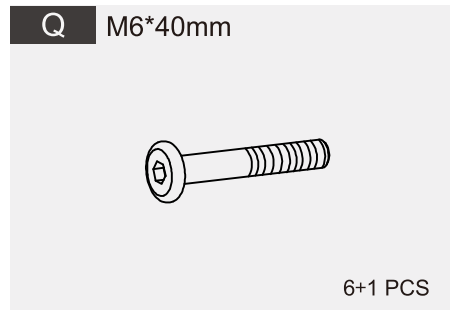
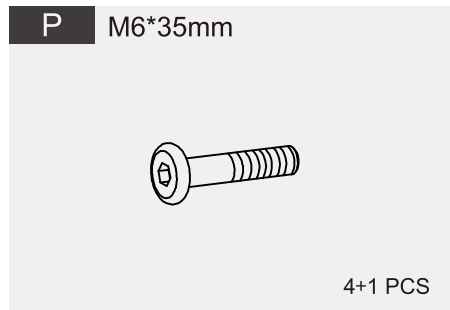
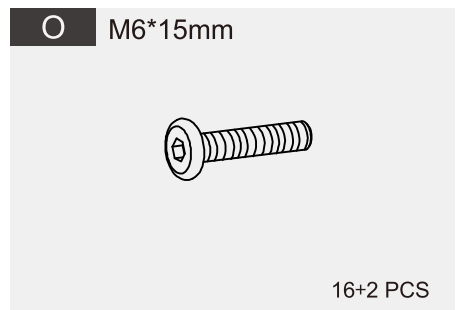
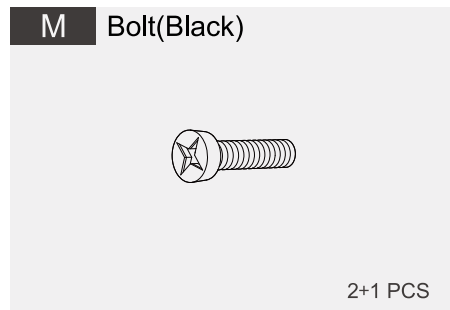


I PARTS





I HARDWARE



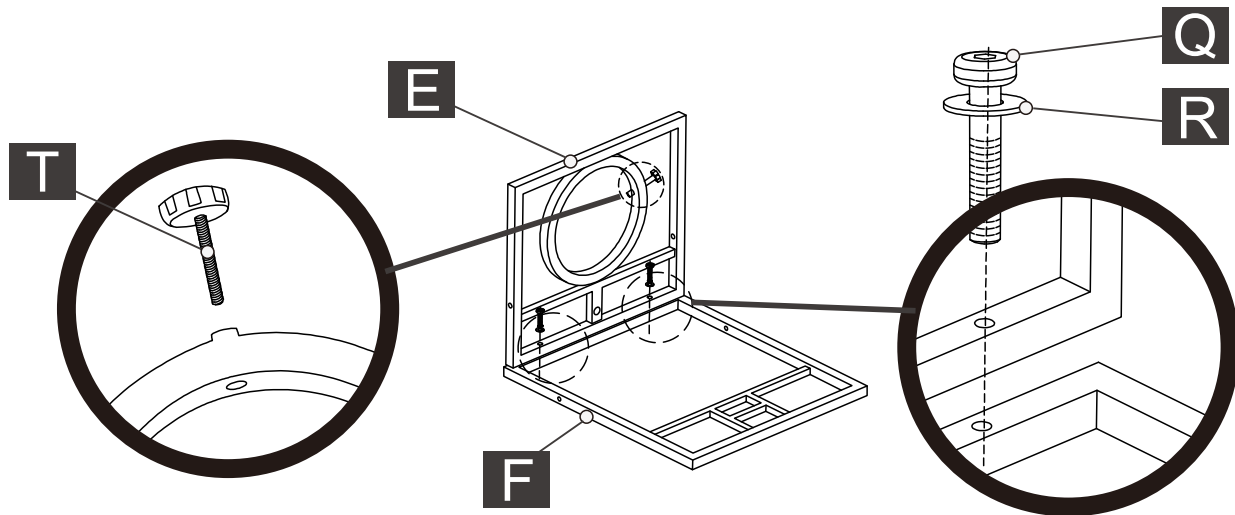
PRODUCT ASSEMBLY

Stove Table Assembly



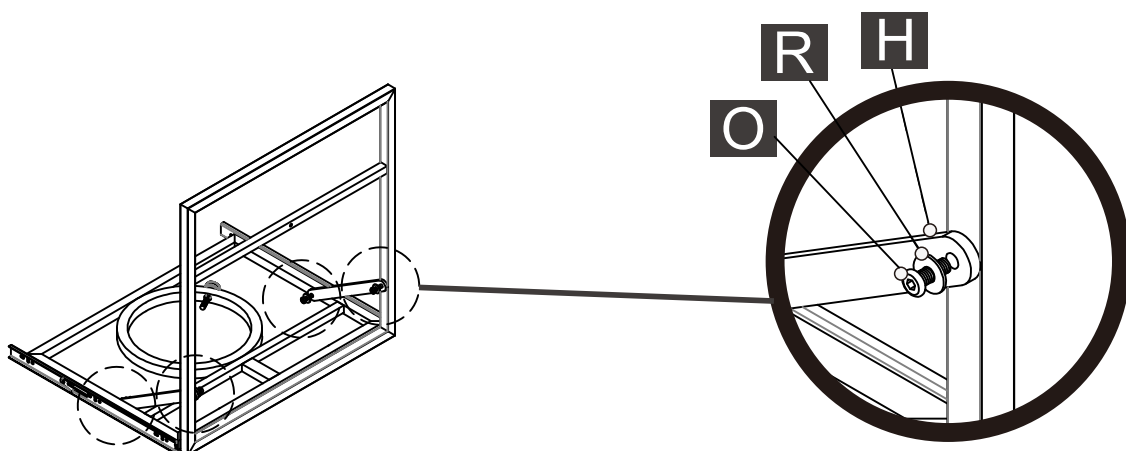
DO not use machine

- 1** Attach gas cylinder base(E)to door(F)using bolts(Q)and washers(R).
Install theknob(T)
NOTE:Please do not fully tighten bolts until unit is fully assembled.



PART	NO.	QTY.	PART	NO.	QTY.	PART	NO.	QTY.
	E	1		R	2		T	1
	F	1		Q	2			

- 2** Attach brackets (H) to gas cylinder base(E)and door(F)using bolt(O)and washers(R).
NOTE:Please fully tighten all bolts at this time.



PART	NO.	QTY.
	H	2
	O	4
	R	4

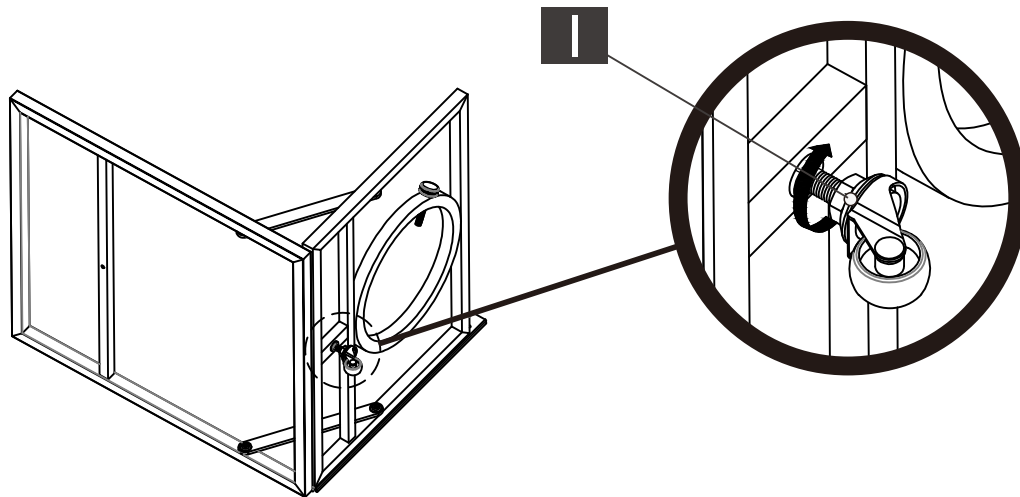
I PRODUCT ASSEMBLY

Stove Table Assembly



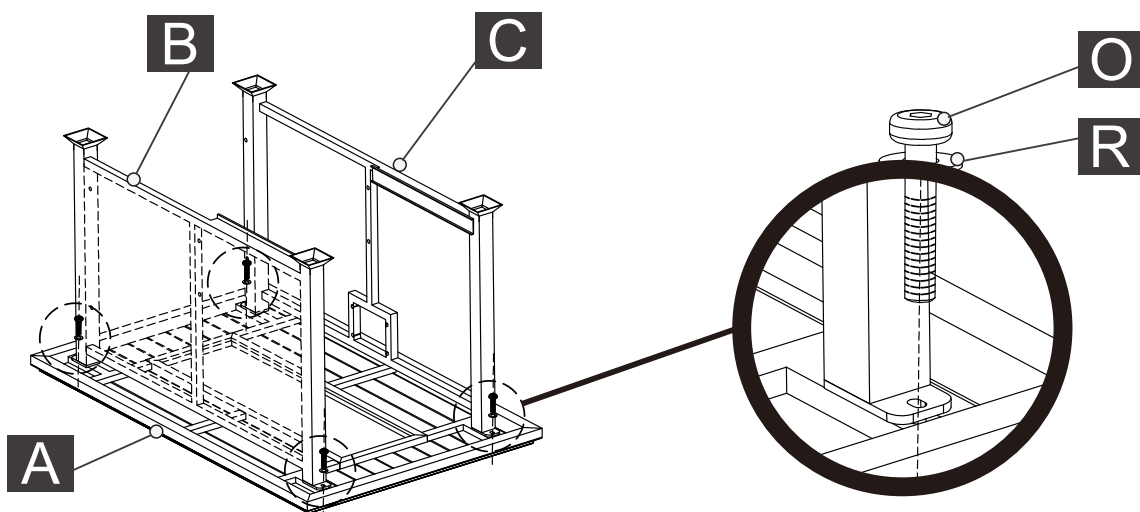
DO not use machine




3 Screw caster(I)to gas cylinder base(E)





PART	NO.	QTY.
	I	1

4 Attach right side panel(B)and left side panel(C)to table top(A)using bolts(O) and washers(R).NOTE:Please do not fully tighten bolts until unit is fully assembled



PART	NO.	QTY.
	A	1
	B	1
	C	1

PART	NO.	QTY.
	O	4
	R	4

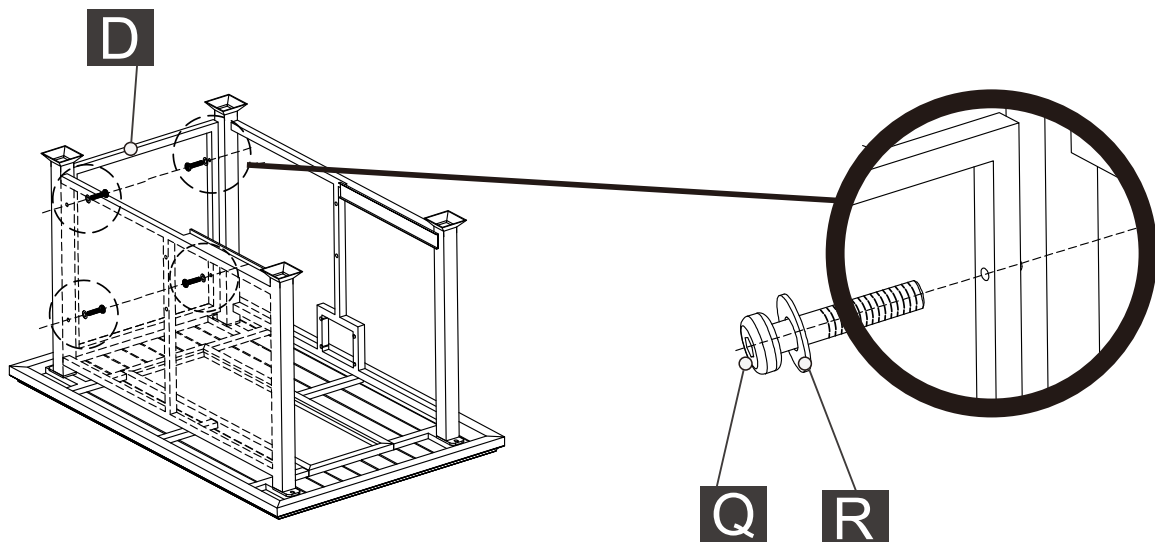
I PRODUCT ASSEMBLY

Stove Table Assembly



DO not use machine

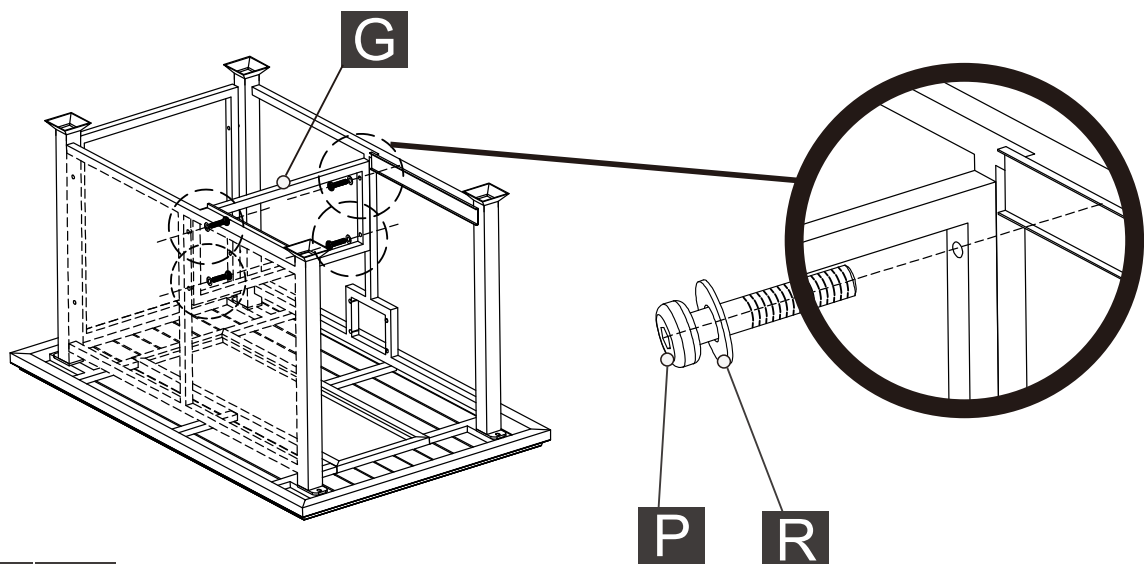
- 5** Attach rear panel(D)to right side panel(B)and left side panel(C)using bolts(Q)and washers(R).
NOTE:Please do not fully tighten bolts until unit is fully assembled.



PART	NO.	QTY.
	D	1
	Q	4

PART	NO.	QTY.
	R	4

- 6** Attach fixed frame(G)to Side panel(B) and left side panel(C) using bolts(P) and washers(R).
NOTE:Please fully tighten all bolts at this time.



PART	NO.	QTY.
	G	1
	P	4
	R	4

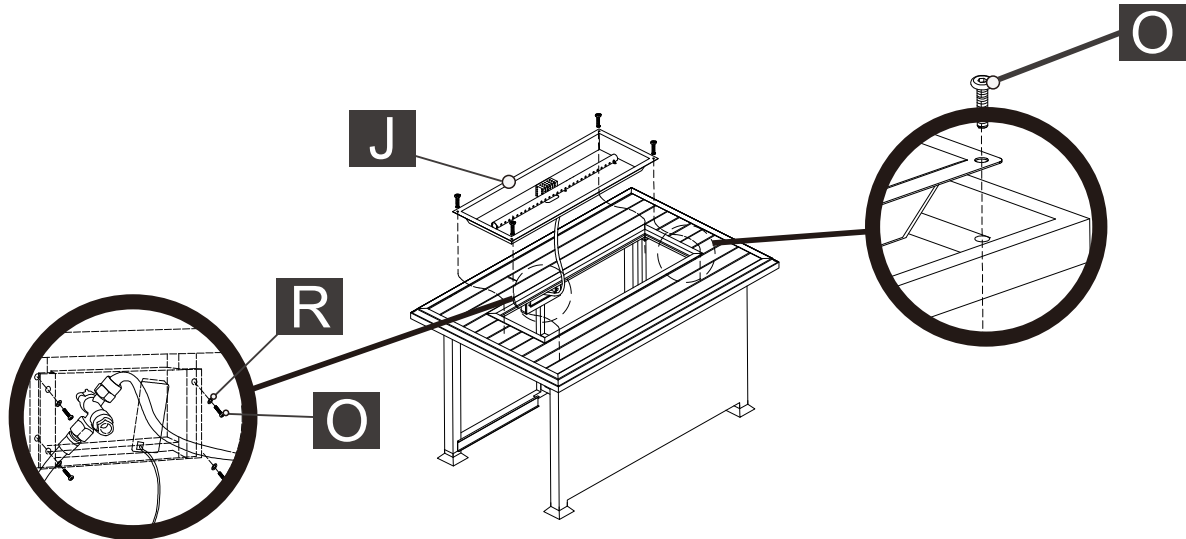
I PRODUCT ASSEMBLY




Stove Table Assembly



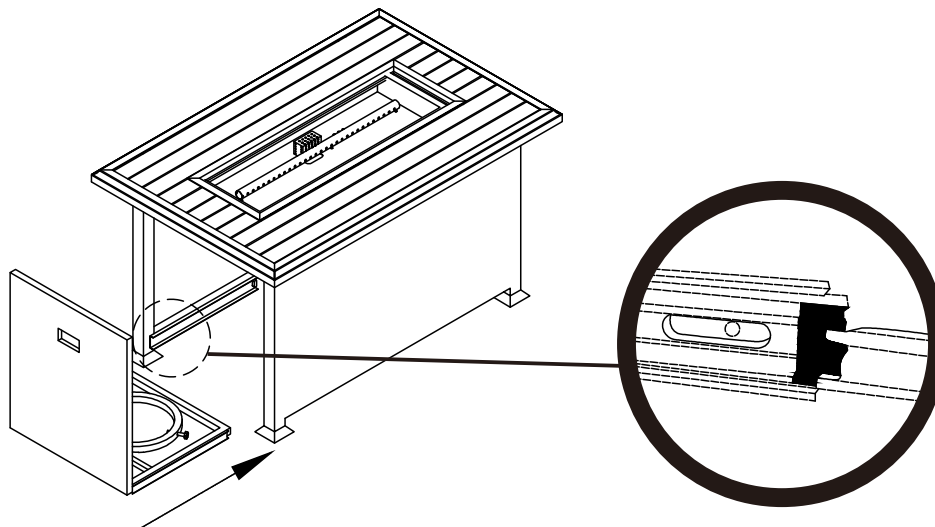
DO not use machine

- 7** Attach burner(T) to table top(A) using bolts(O).and attach control panel to left side panel(C) using bolts(O)and washers(R).
NOTE:Please fully tighten all bolts at this time.



PART	NO.	QTY.	PART	NO.	QTY.
	J	1		R	4
	O	8			

- 8** Insert Door and Gas Cylinder Base(E&F) into the guide rail and push it to the end.
NOTE:Please pour the glass stones(U)into the burner at the this time and placethem evenly.



I PRODUCT ASSEMBLY

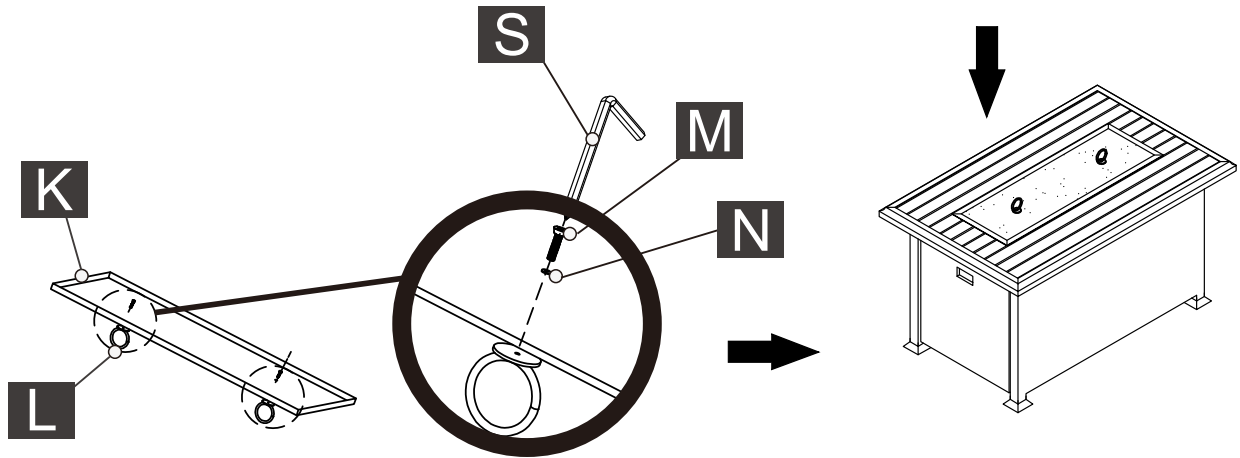
Stove Table Assembly



DO not use machine

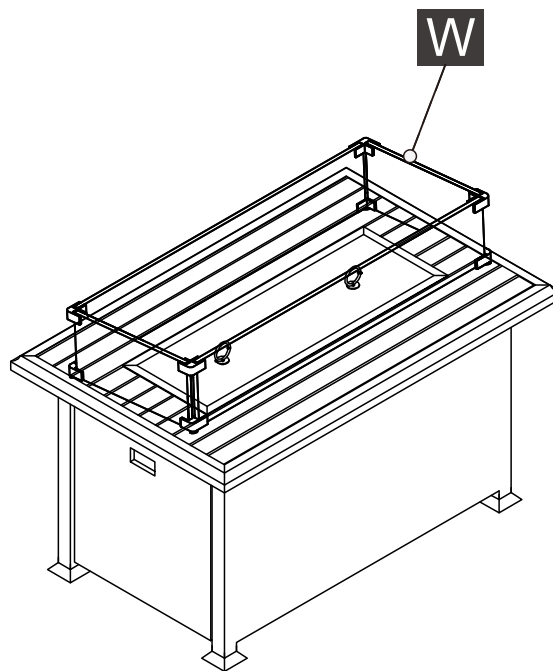
9

Attach pull ring(L)to burner lid(K)using bolts(M) and washers(N)



PART	NO.	QTY.	PART	NO.	QTY.	PART	NO.	QTY.
	K	1		L	2		S	1
	M	2		N	2			

10



PART	NO.	QTY.
	W	1

I PRODUCT ASSEMBLY

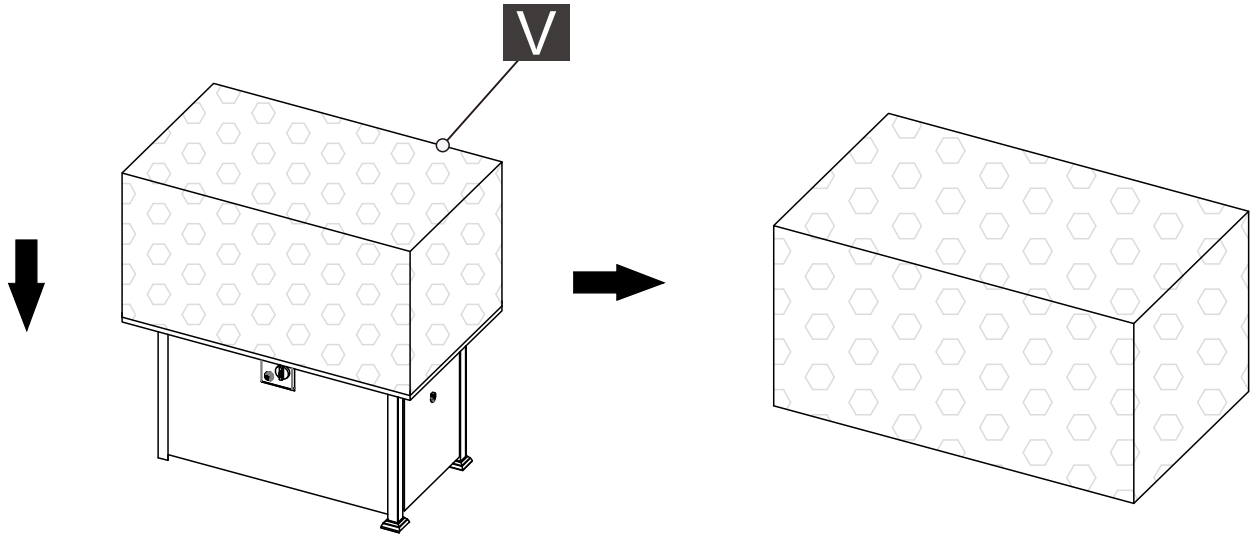
Stove Table Assembly



DO not use machine

11

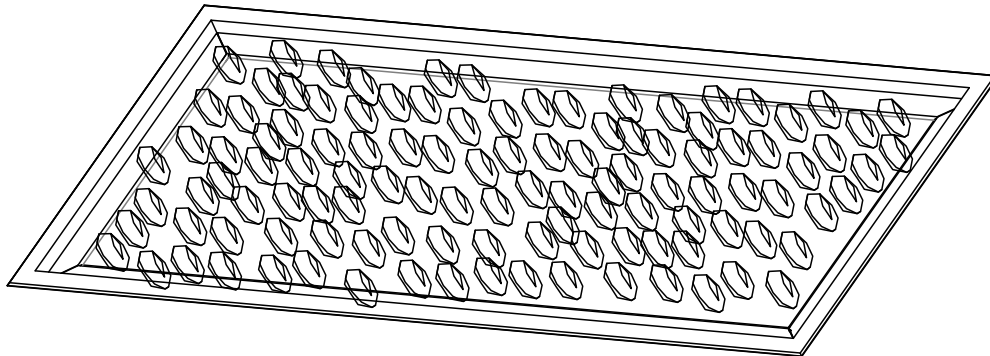
Note: We recommend the use of furniture covers to protect the patio fire pit when not in use. Please remove the wind guard before you use waterproof table cover.



PART	NO.	QTY.
	V	1

Note:

1. Arrange the glass rocks evenly in the burner tray.
2. Ensure the igniter cover is not covered by glass rocks (see photo) to allow proper air circulation.
3. Keep the igniter clean and free from dust.
4. Adjust the rocks to expose the burner tube holes for the best flame.
5. Refer to the preferred configuration in the picture.



WARNING:

Never handle glass rocks which have not been allowed to cool from exposure to flame.
Never attempt to rearrange rocks while unit is ignited.

NOTE: Rocks are not to exceed 7 kg or 15.5 lb.

NOTE: Never use a lid or cover to extinguish the flame on your Fire Table

Avoid glass dust. Always wear gloves to handle rocks; caution for glass dust when handling; use a rag to wipe glass dust. Glass dust may result during shipping.

Note TO USER:

1. Before first use, follow steps 1-5 in the Ignition section.
2. A 1AA 1.5V battery is required (**not included**).

WARNING:

1. Ensure the environment is dry before starting ignition.
2. Follow all six ignition steps carefully.
3. Incorrect operation may:
 - Prevent ignition.
 - Cause gas leakage or explosion.

SECTION 2:IGNITION

STEP1

Ensure that unit valve dial is in the "OFF" position by pushing and turning clockwise until the dial stops.

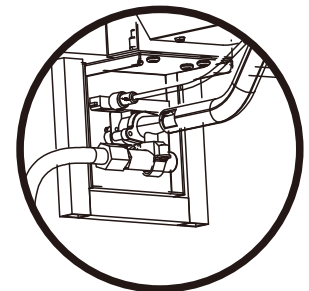


STEP2

Connect the LP gas cylinder. See section labeled "Connection" (It's on the page 7)

STEP3

Ensure the gas hose is not contacting the top of the Fire Table enclosure and the tank is stabilized in the collar with the wing nut.
Caution: Always ensure the gas valve orifice and burner tube venturi is clear of all debris including spider webs.



STEP4

**** SLOWLY ***** turn cylinder valve to the open position to avoid tripping the excess flow safety device in the gas regulator.

For more information about the excess flow safety device see Section 3.

STEP5

Leak Test all connections. See section labeled "Leak Test" (It's on the page 7)

STEP6

Leak Test all Your Fire Table is equipped with an auto spark ignition (piezo ignition).

Press the knob in and slowly turn it counter-clockwise to the high position to ignite the gas.

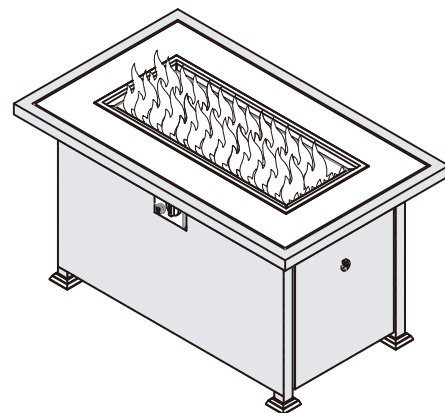
If ignition fails at first try, promptly repeat ignition within 5 seconds. After 3 failed attempts, turn the knob to "OFF" and wait 5 minutes before trying again.

WARNING:

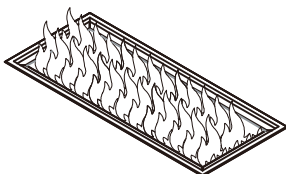
Ensure that no parts of your body, clothing, or any other combustible material are above the burner before, during and after ignition. Ensure the cover is stored safely away from the Fire Table when the Fire Table is in use.

STEP7

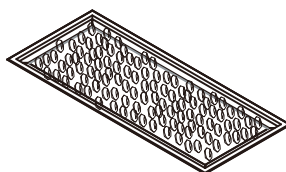
Once the unit is burning normally, set the dial to desired flame height.



STEP8 PERIODIC INSPECTION OF BURNER FLAMES



Upon igniting the appliance, visually verify that the burner is indeed burning as demonstrated in the image. The presence of flames will confirm that the burner is burning. Periodically check that the burner flame is present during operation by visually



If there are no flames present, as demonstrated in the image, the appliance is likely not burning. If this is the case, **IMMEDIATELY** turn the valve to the "off" position if it is not already and repeat the ignition procedure as outlined in Section 2.

- After ignition, visually check that the burner is burning (as shown in the image). The presence of flames will confirm that the burner is burning.
- Periodically verify the burner flame during operation.
- If no flame is visible, immediately turn the valve to the "off" position (if not already off) and repeat the ignition procedure (see Section 2).

 **WARNING:**

Improper lighting procedure may cause fire explosion, and result in property damage, personal injury, or loss of life.



**Yellow Tip
Primarily Blue
Flame**

FIRE TABLE WON'T LIGHT? IGNITION PROBLEM? IGNITION TROUBLESHOOTING

STEP 1

Wait 5 minutes for any gas to dissipate. Locate the igniter cable under table. Ensure the igniter cable is firmly attached to the gas valve. Follow the ignition sequence again. If still no results after three tries move to step 2 below.

STEP 2

Turn the gas cylinder valve to the "Closed" position. Wait 5 minutes for any gas to dissipate. Ensure igniter cover is not covered by glass rocks. This helps air circulate. Inspect the ignition electrode (under igniter cover) to ensure it is free from dust and not blocked by glass rocks or other debris. Use a dry clean cloth or tissue to very lightly wipe clean igniter tip.

WARNING HAZARD:

USE A TOOL OR WEAR GLOVES TO MOVE GLASS ROCKS. AVOID BLOWING GLASS DUST IN THE AIR.

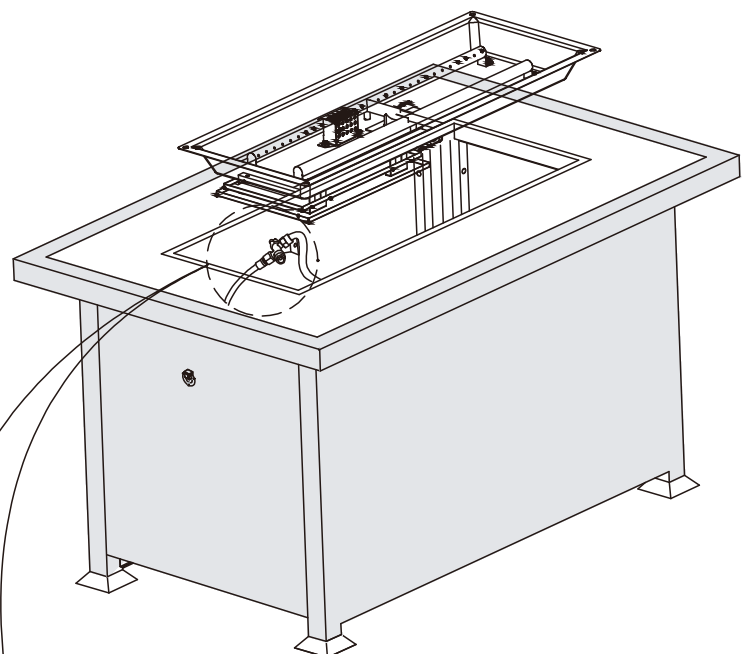
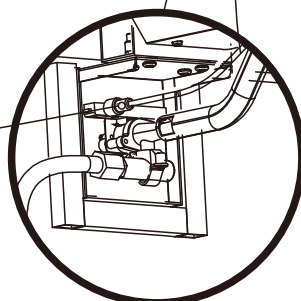
After waiting for 5 minutes, visually inspect the spark by rotating the knob to high without turning the gas back on at the cylinder. Ensure the spark gap is 3-5mm (1/8"-3/16") from the burner port and has a clear path. Once you ensure the igniter is operating properly repeat the ignition sequence in section 2.

ENSURE IGNITER(UNDER IGNITER COVER) IS FREE FROM DUST AND NOT BLOCKED BY GLASS ROCKS



CAUTION: Watch for glass dust

ENSURE IGNITER CABLE IS FIRMLY ATTACHED



SECTION 3: GOT A LOW FLAME?

STEP 1

Check propane level. If less than half full replace the cylinder.

Repeat the ignition sequence in section 2.

STEP 2

If the propane cylinder is full and your Fire Table experiences low flame, or flame height does not appear to be normally adjusted by the gas knob, it is likely that the excess flow safety device has been tripped in the hose regulator.

CORRECTIVE ACTION

- a. Close propane cylinder valve.
- b. Open and then close Fire Table gas knob valve to release pressure.
- c. Disconnect and reconnect the propane cylinder valve connection.
- d. Slowly open propane cylinder valve.
- e. Perform Leak Test and follow Ignition sequence

SECTION 4: EXTINGUISHING THE APPLIANCE

STEP 1

Access the Fire Table interior. Turn the gas cylinder valve to the "Closed" position.

STEP 2

Turn the gas knob on the Fire Table to the "OFF" position by pushing and turning the knob clockwise.

STEP 3

Allow unit to cool for at least five (5) minutes before relighting.

SECTION 5: FIRE TABLE MAINTENANCE

Protect from Weather:

Keep dry and out of rain. Store in a dry place. Use a cover if needed.

Propane Issues:

If flames are low, turn the burner to low for 5-10 minutes or replace the cylinder.

Cleaning:

Wipe the top with warm soapy water. Avoid abrasive or petroleum-based cleaners.

Remove Debris:

Clear any debris from the burner tray before lighting.

These simple steps will help maintain your Fire Table's performance!

WARNING NOTES:

Burn Time:

- A full 20 lb (9kg) propane cylinder lasts 12–18 hours, depending on the flame height.

Heat Hazard:

- The fire table gets extremely hot! Do not touch the burner tray or glass rocks during operation.
- No Covers: Never place a cover on the fire table while it's on.
- No Cooking: This is a decorative appliance only. Do not cook food or use it to warm items.
- Cooling Time: Wait 30 minutes after turning off before touching the burner tray, glass rocks, or covering the table.
- Safety: Keep adults and children away during use. Supervise children at all times.

Proper Use: Only use supplied rocks in the burner tray. Do not add wood or other materials.

- Gas Supply: Only use propane. Do not connect to a remote gas supply.
- Water Damage: If any part has been under water, call a qualified technician.
- Storage: Do not store a spare LP cylinder inside the compartment.
- Inspection: Regularly check for debris, including spider webs, in gas valves and orifices.
- Clear Area: Keep the area clear of combustible materials, gasoline, and flammable liquids.
- Always follow these warnings to ensure safe use of your Fire Table!

DANGER:

FIRE OR EXPLOSION HAZARD

- If you smell gas:
- Shut off gas to the appliance.
- Extinguish any open flame.
- If odor continues, leave the area immediately.
- After leaving the area, call you gas supplier or fire department.
- Failure to follow these instructions could result in fire or explosion, which could cause property damage, personal injury, or death.

WARNING:

- Do not store or use gasoline, or other flammable vapors and liquids, in the vicinity of this or any other appliance.
- An LP-cylinder not connected for use shall not be stored in the vicinity of this or anyother appliance.

WARNING: For Outdoor Use Only.

- Installation and service must be performed by a qualified installer, service agency, or the gas supplier.

WARNING:



CARBON MONOXIDE HAZARD

- This appliance can produce carbon monoxide which has no odour.
- Using it in an enclosed space can kill you.
- Never use this appliance in an enclosed space such as a camper, tent, car or home.

INSTALLER: Leave this guide with the appliance. CONSUMER:
Retain this manual for future reference.

WARNING:

- If the information in this manual is not followed exactly, a fire or explosion may result causing property damage, personal injury, or loss of life.
- Improper installation, adjustment, alteration, service or maintenance can cause injury or property damage. Read the installation, operating and maintenance instructions thoroughly before installing or servicing this equipment.

WARNING:

So glad you have completed the assembly and can enjoy it. If you are satisfied with our products, thank you for showing your favored fire pit table to your around.

Our products come with a 12-month warranty, you can feel free to contact us at any time.

Methods: If you choose Amazon, going to your Amazon order detail page, Order>sold by>contact seller(guaranteed response within 24 hours)

AFTER-SALE POLICY:

For return reason:

Wrong purchase, bought by mistake, no longer needed, doesn't meet expectation, a size smaller than expectation, customer need to cover the return shipping fee.

For cancel order:

Customer needs to pay for shipping fee and carrier handle fee if the item has been shipped out.

For change address: customer needs to pay for extra shipping fee and carrier handle fee if the item has been shipped out.

Customer Service:

Any problem with the product or shipping issue, please feel free to contact us, we will try our best to serve and help.