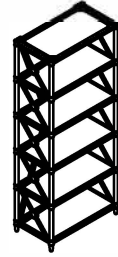


ASSEMBLY INSTRUCTIONS

206-580



TOOLS REQUIRED:

Allen Wrench (supplied, part # A)

BEFORE YOU START:

1. Check the parts against the parts list to make sure all items are present.
2. Assemble your furniture on a soft, flat surface to avoid scratching the finish.
3. CAUTION: Do not over tighten screws, nuts or bolts during assembly.
4. Your furniture may require occasional tightening.

INSTRUCTIONS:

1. Put the side panels on the smooth and clean soft surface.
2. Attach Shelves to Left Side Panel using Bolt (B), Lock washer (C), Flat washer (D) and Tighten with Wrench(A). As show in Figure 1.
3. Attach Right Side Panel to Shelves using Bolt (B), Lock washer (C), Flat washer (D) and Tighten with Wrench(A). As show in Figure 2.
4. Attach X Cross to back of the Shelf using Bolt (E), Lock washer (C), Flat washer (D) and Tighten with Wrench(A). As show in Figure 3.
5. Turn the shelf up after assembled. Tighten all bolts before using the shelf.
6. To level the shelf, please adjust the bottom levelers accordingly. As show in Figure 4.

Figure 1

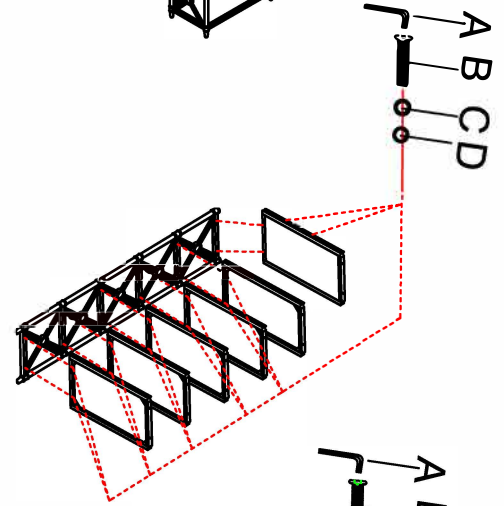


Figure 2

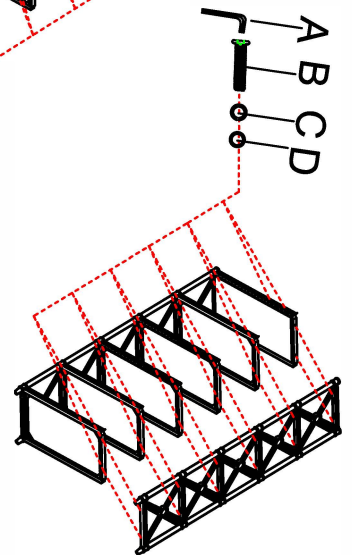


Figure 3

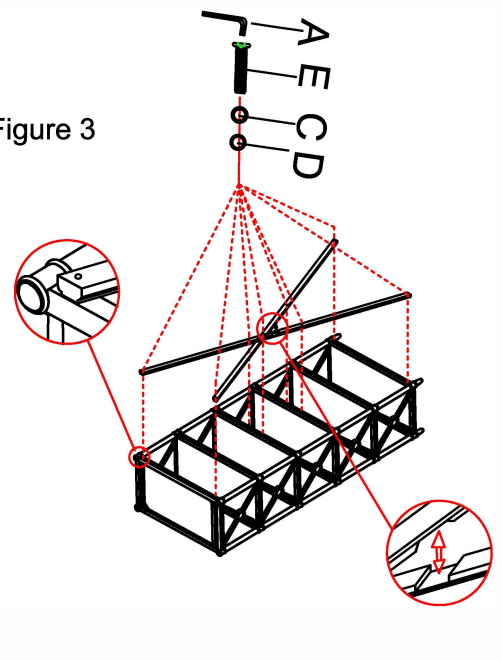
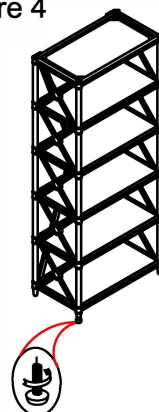


Figure 4



NO	DRAWING	DESCRIPTION	SIZE	Q' ty
A		Allen Wrench	100*50*4mm	1pc
B		Bolt	Ø1/4**40mm	24pcs
C		Lock washer	Ø1/4"	32pcs
D		Flat washer	Ø1/4"	32pcs
E		Bolt	Ø1/4**25mm	8pcs