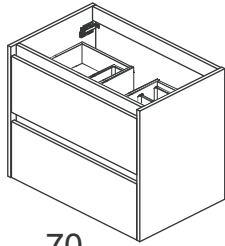
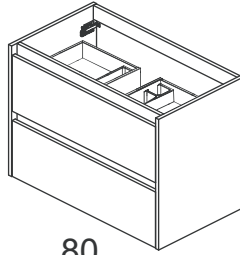


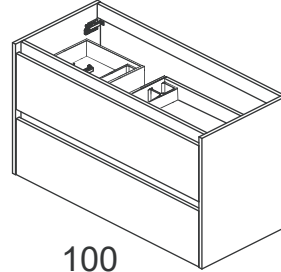
60  
23 5/8"



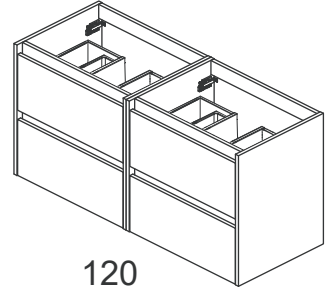
70  
27 9/16"



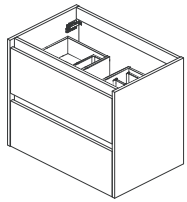
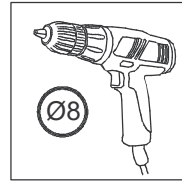
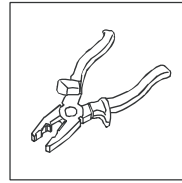
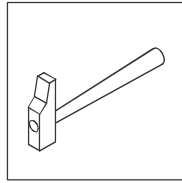
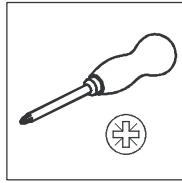
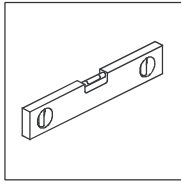
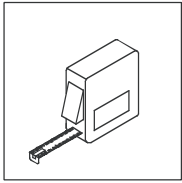
80  
31 1/2"



100  
39 3/8"



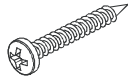
120  
47 1/4"



x2



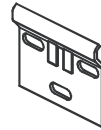
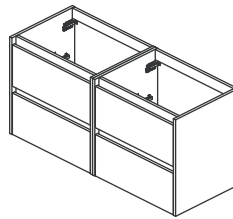
x4



x4

60/70/80/100  
23 5/8" 27 9/16" 31 1/2" 39 3/8"

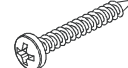
BO-719



x2



x4



x4



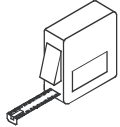
x2

120  
47 1/4"

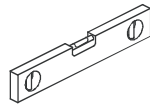
BO-719

BO-266

01.

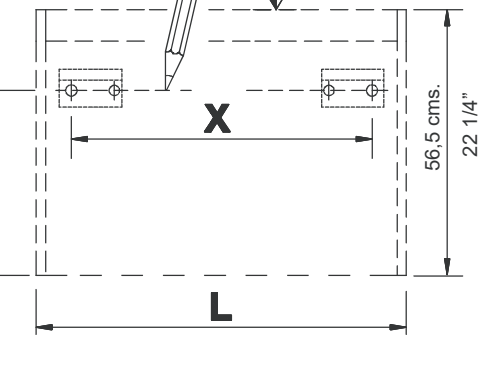


cms.



1 2/16"  
2,9cms.

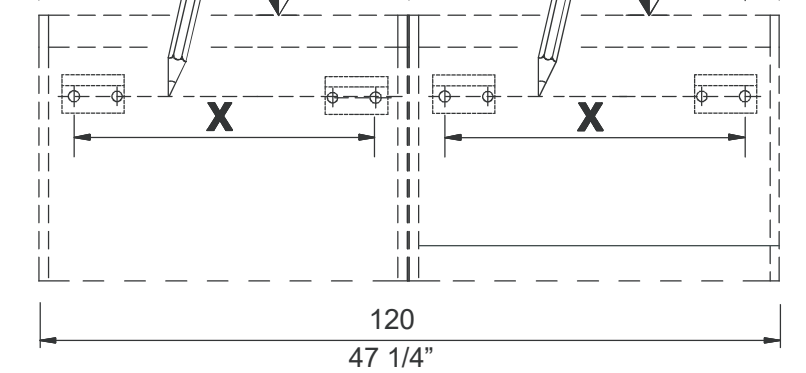
1 2/16"  
2,9cms.



1 2/16"  
2,9cms.

1 2/16"  
2,9cms.

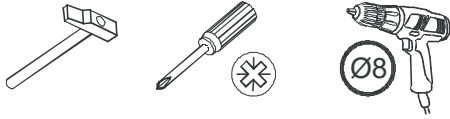
1 2/16"  
2,9cms.



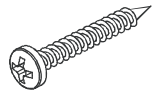
L:60cms. → X=53,7cms.  
L:70cms. → X=63,7cms.  
L:80cms. → X=73,7cms.  
L:100cms. → X=93,7cms.  
L:120cms. → X=53,7cms.

L:23 5/8" → X=21 2/16"  
L:27 9/16" → X=25 1/16"  
L:31 1/2" → X=29 0/16"  
L:39 3/8" → X=36 14/16"  
L:47 1/4" → X=21 2/16"

# 02.



23 5/8" 27 9/16" 31 1/2" 39 3/8"  
 MLV-60/70/80/100 ————— x2  
 MLV-120 ————— x4  
 47 1/4"



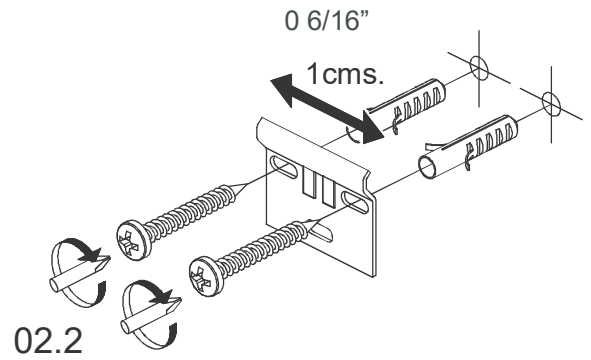
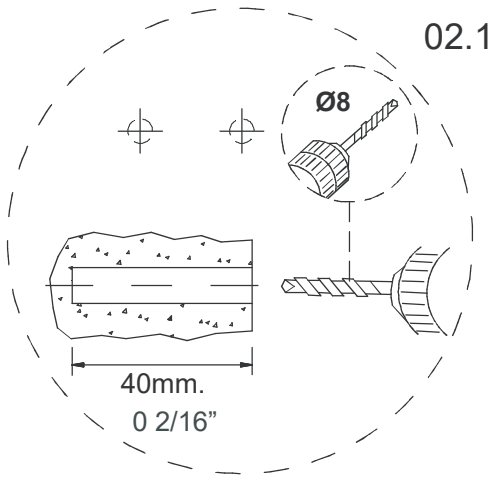
x4

x4

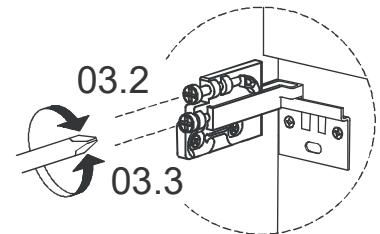
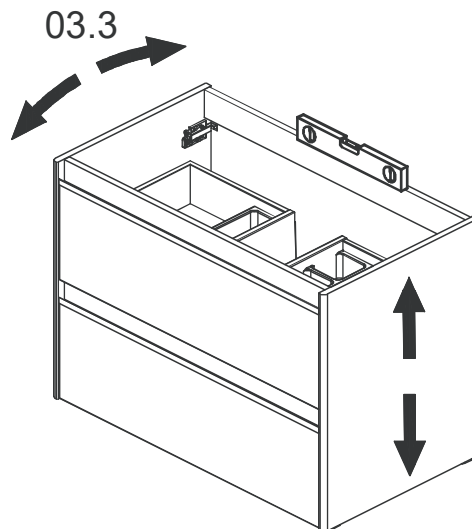
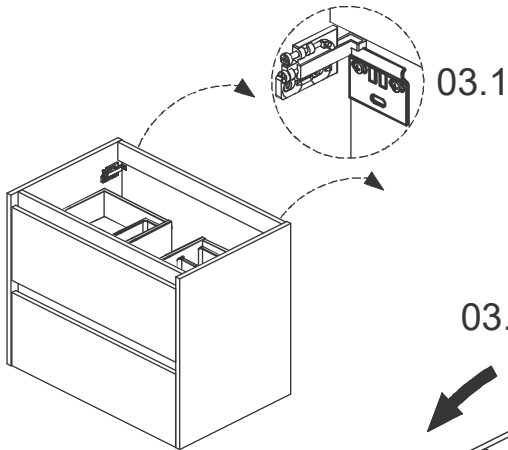
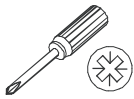
x8

x8

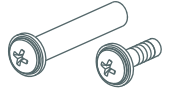
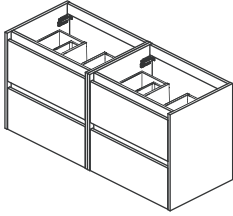
BO-719



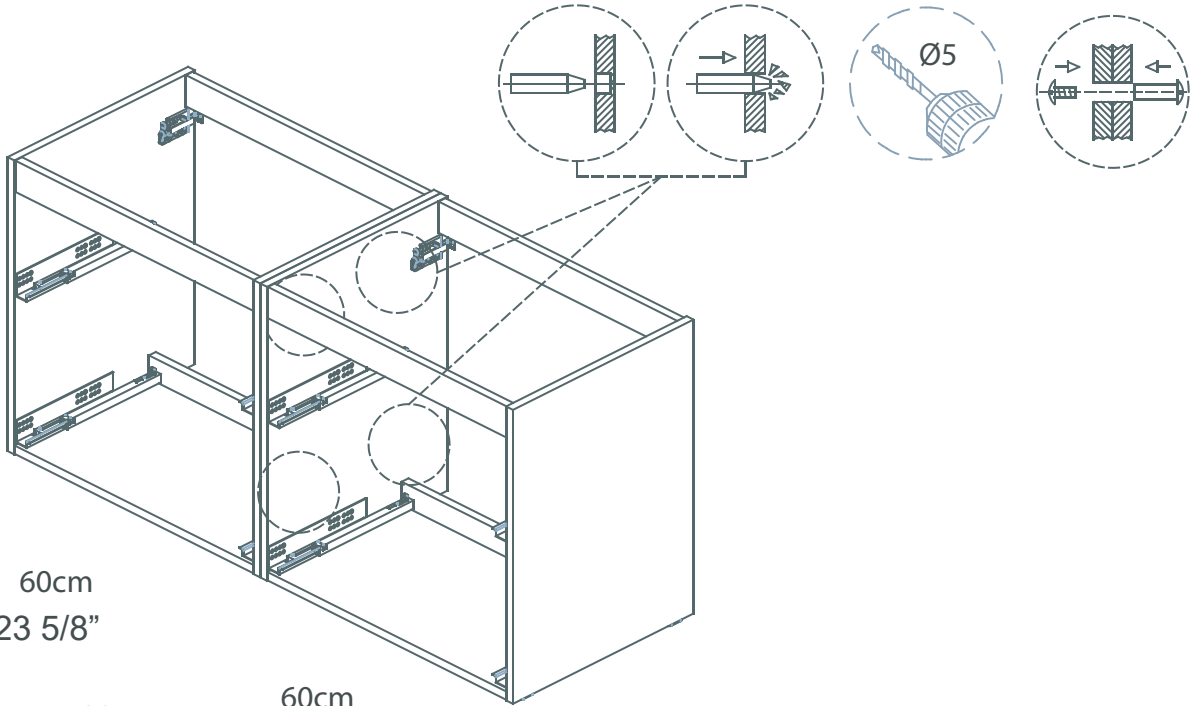
# 03.



04.



T2x2

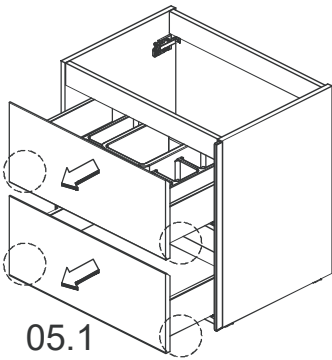


60cm  
23 5/8"

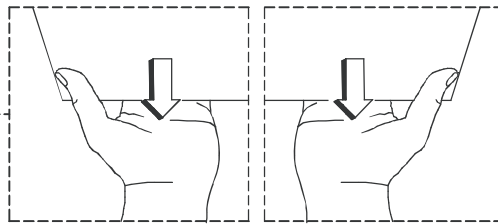
120cm  
47 1/4"

60cm  
23 5/8"

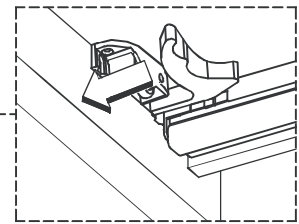
05.



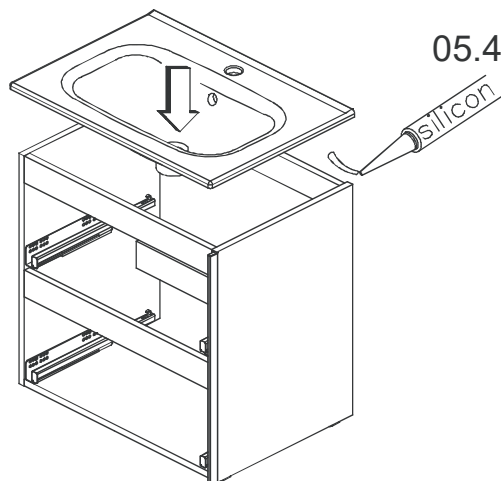
05.1



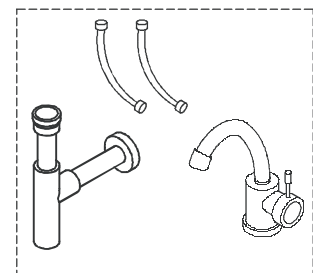
05.2



05.3

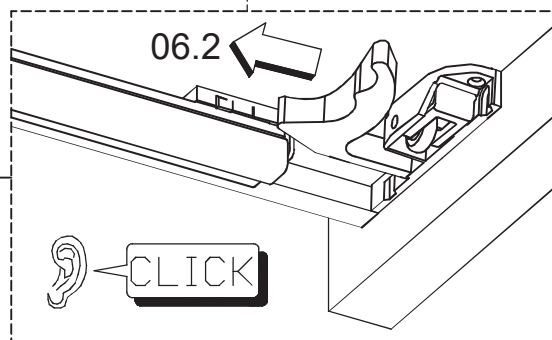
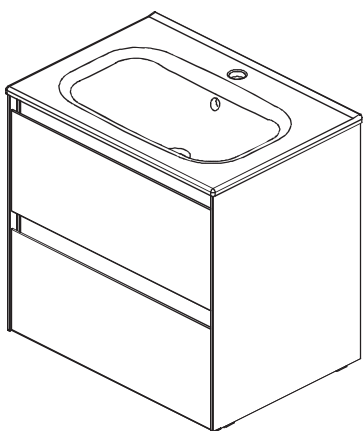
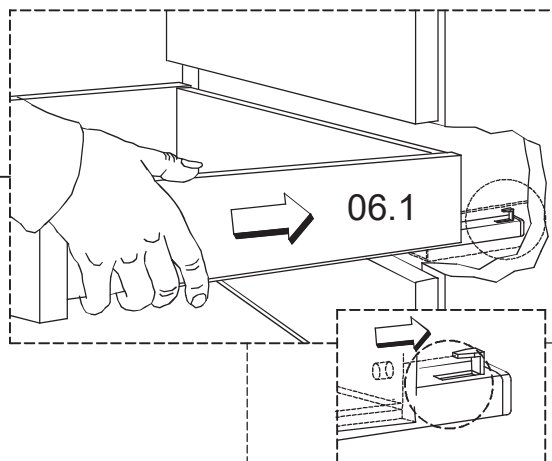
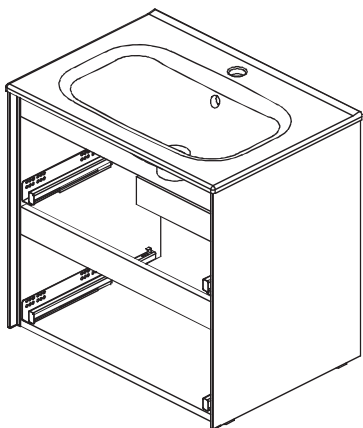


05.4



05.5

# 06.



# 07.

