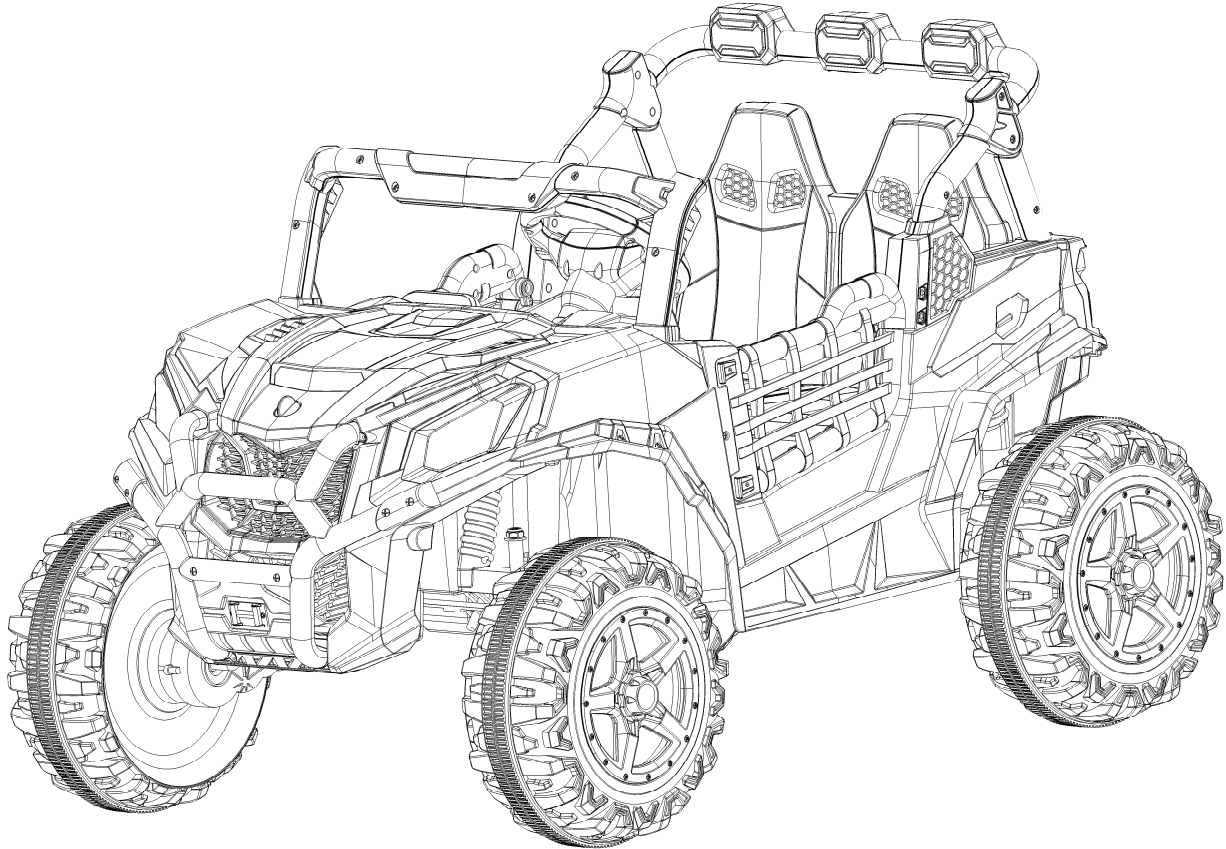


# **CHILDREN'S ELECTRONIC TOY UTV**



## **IMPORTANT WARNING !**

- 1. Not Suitable for children under 36 months.**
- 2. Do not use on traffic roads.**
- 3. Please ask adults to complete the assembly process.**
- 4. This toy does not have an active braking function.**

## **OWNER'S MANUAL**

**Read and understand this entire manual before using!**

**Please keep this manual for future reference as it contains important information.  
Before first time use, charge the battery for at least 8-12 hours, do not exceed 20 hours.**

# READ BEFORE USING

**To be assembled or installed by an adult.**

**This toy is unsuitable for children under 3 years due to its maximum speed.**

**Small items.Danger of suffocation.**

**Protective equipment should be worn.**

**Not to be used in traffic.**

**To be used under the supervision of an adult.**

**this toy has no brake.**

**Do not use it on a public road or near dangerous areas such as step,uneven ground,water etc.Otherwise,it may cause traffic accident or drowning hazard of using the toy in areas other than private grounds.**

## PRODUCT PARAMETER

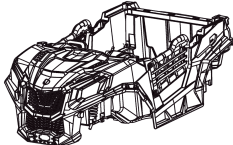
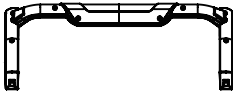
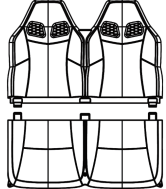
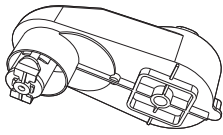


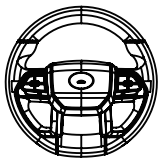
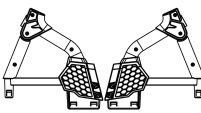
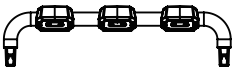
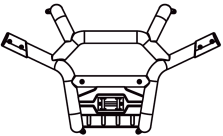
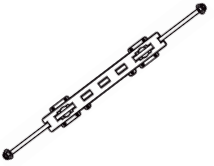
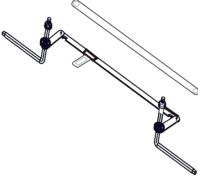
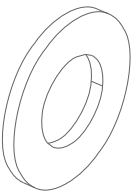
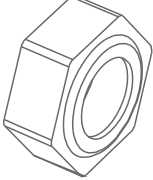


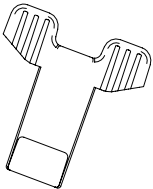
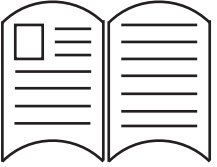
Suitable age	3 years +	Battery	24V7AH
Max load	60 Kg	Motor	24V555#
Material	PP	Product size	125X81X71 cm
Suitable temperature	Below 40 °C	Charger	Input: AC 100-120V / 50-60Hz
Fuse	automatic reset 15A		Output: DC 28.8V

## CATALOGUE

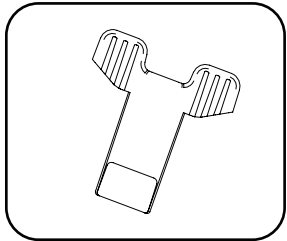
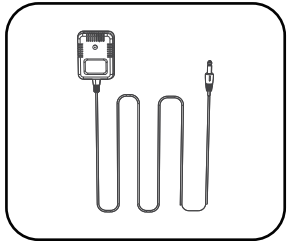
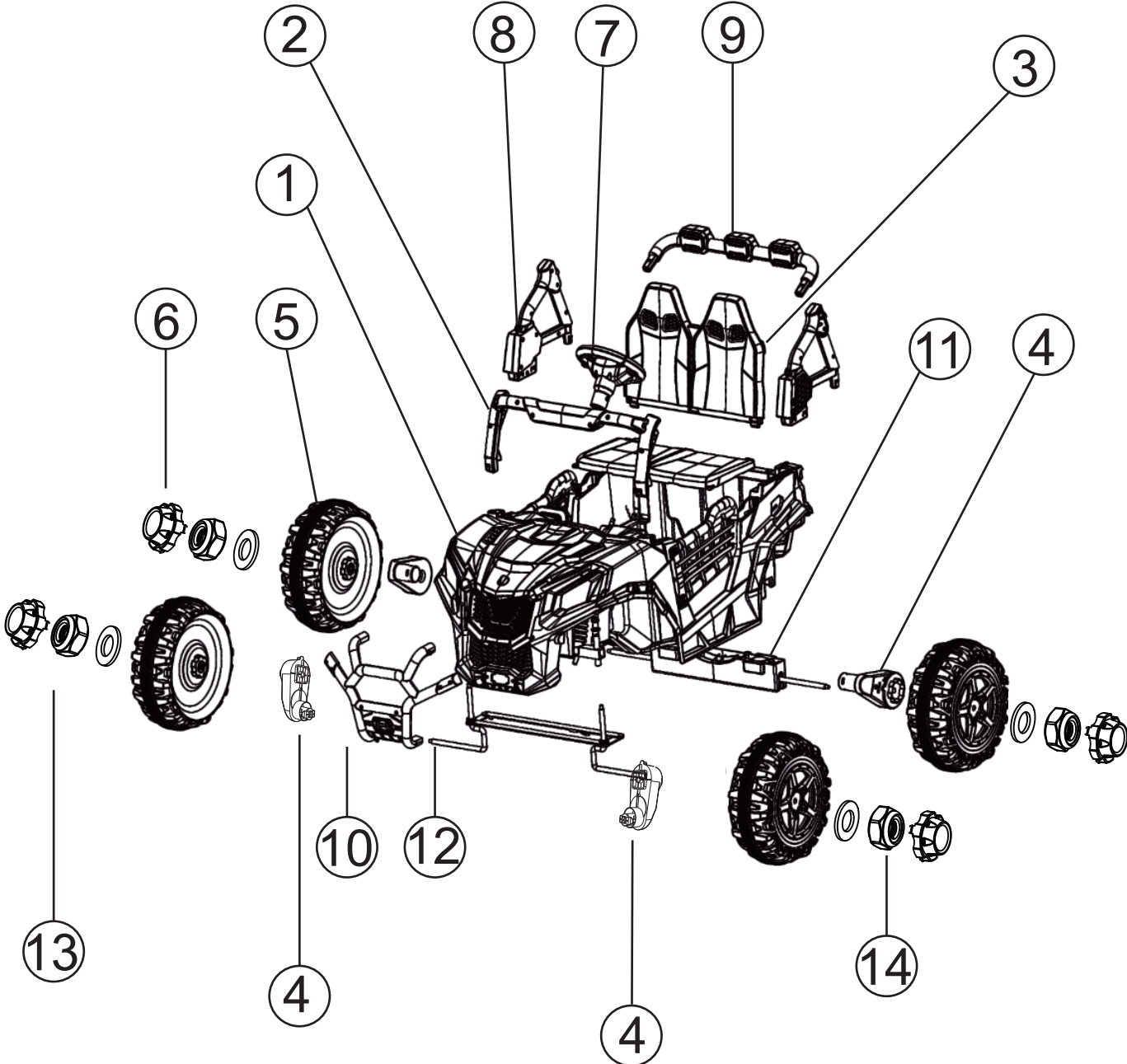
---

<b>PRODUCT PARAMENTER</b>	<b>PAGE 1</b>
<b>PARTS LIST</b>	<b>PAGE 2</b>
<b>PARTS DIAGRAM</b>	<b>JPAGE 3</b>
<b>INSTALLATION STEPS</b>	<b>PAGE 4-11</b>
<b>OPERATION INDICATION</b>	<b>PAGE 12-13</b>
<b>REMOTE CONTROL OPERATION</b>	<b>PAGE 14</b>
<b>CHARGING INDICATION</b>	<b>PAGE 15</b>
<b>CHARGING WARNING</b>	<b>PAGE 16</b>
<b>TROUBLESHOOTING GUIDE</b>	<b>PAGE 17-18</b>
<b>DISPOSAL OF BATTERY</b>	<b>LAST PAGE</b>

# PARTS LIST

PART NO	PART NAME	PICTURE	Qty (pcs)	REMARKS	PART NO	PART NAME	PICTURE	Qty (pcs)	REMARKS
1	Vehicle body		1		2	Wind-shield frame		1	
3	Seat		1	Consisting of two parts	4	Gear box		2 or 4	Dual drive 2 Four drive 4
5	Wheel		4		6	Wheel cap		4	
7	Steering wheel		1		8	Rear tailstock		1	Left & right
9	Rear lamp holder		1		10	Front bumper		1	
11	Rear wheel bracket		1		12	Front wheel bracket		1	
13	Washer		4 or 6	Dual drive 6 Four drive 4	14	Nut		6	
15	Charger		1		16	Remote control		1	
17	Spanner		2		18	Manual		1	

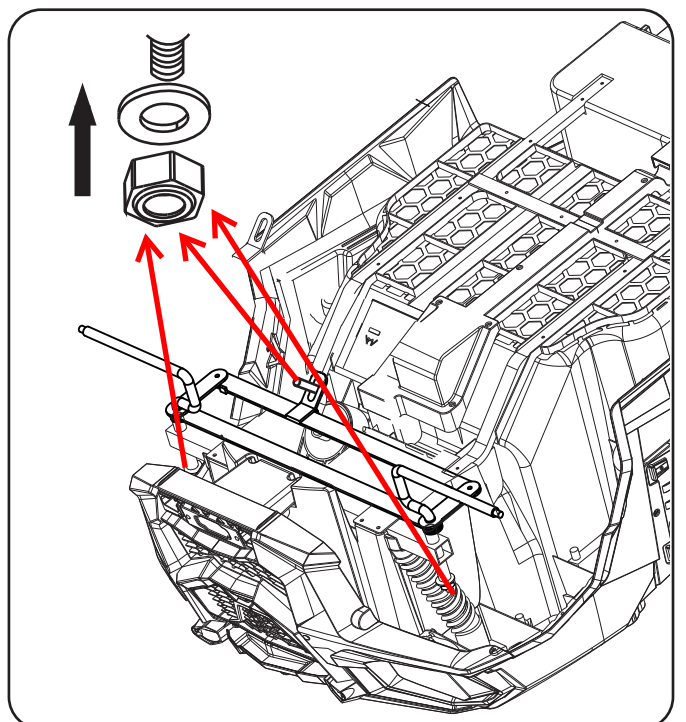
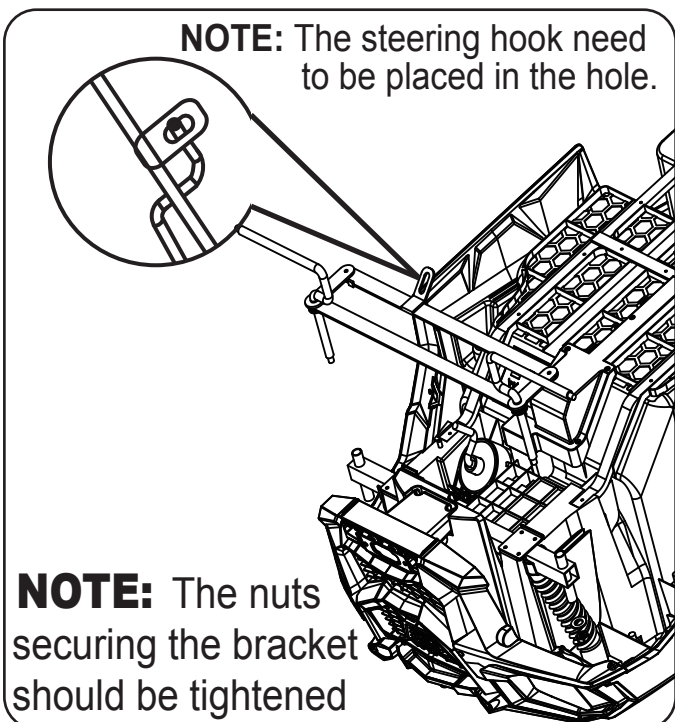
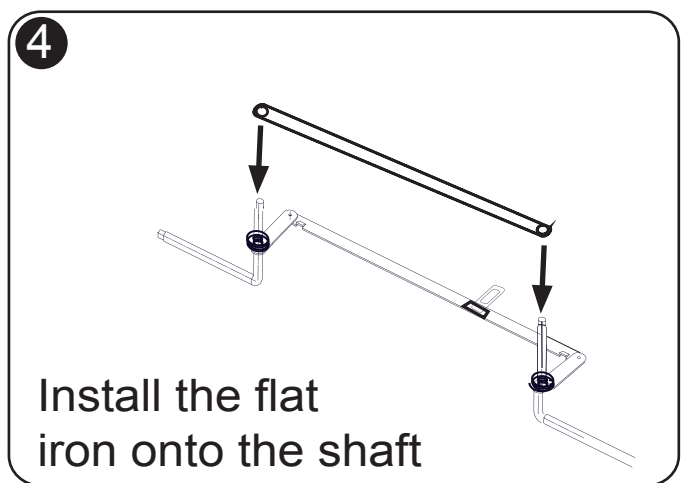
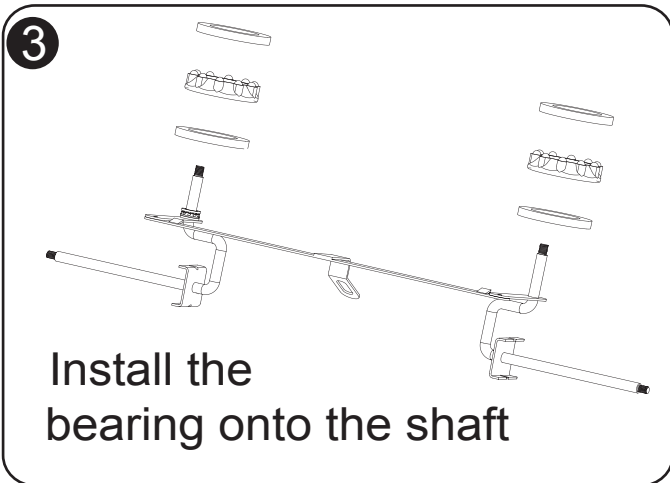
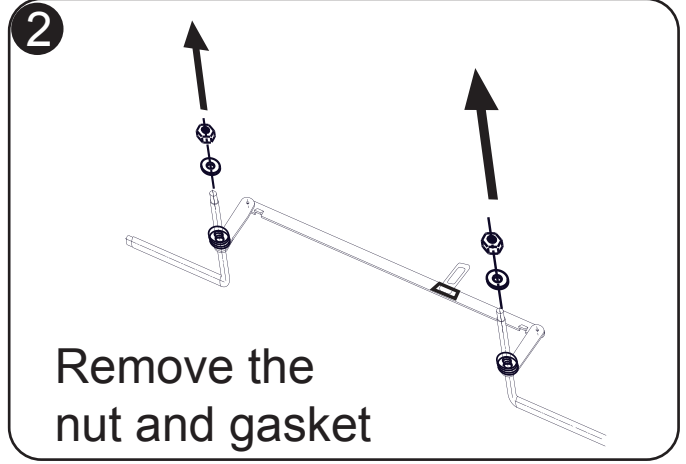
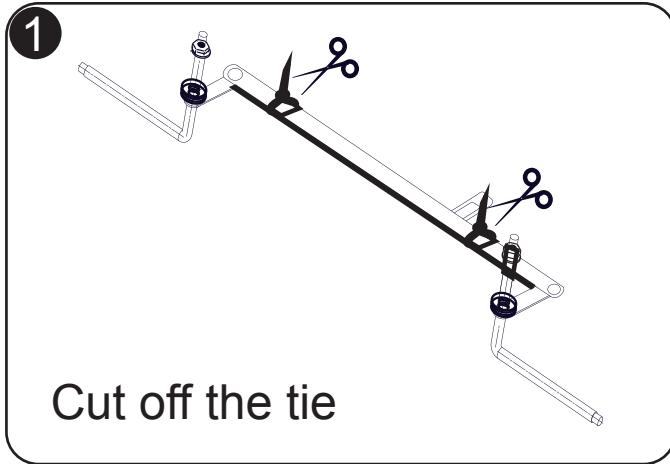
# PARTS DIAGRAM



# ASSEMBLY STEPS

## Install the front steering shaft

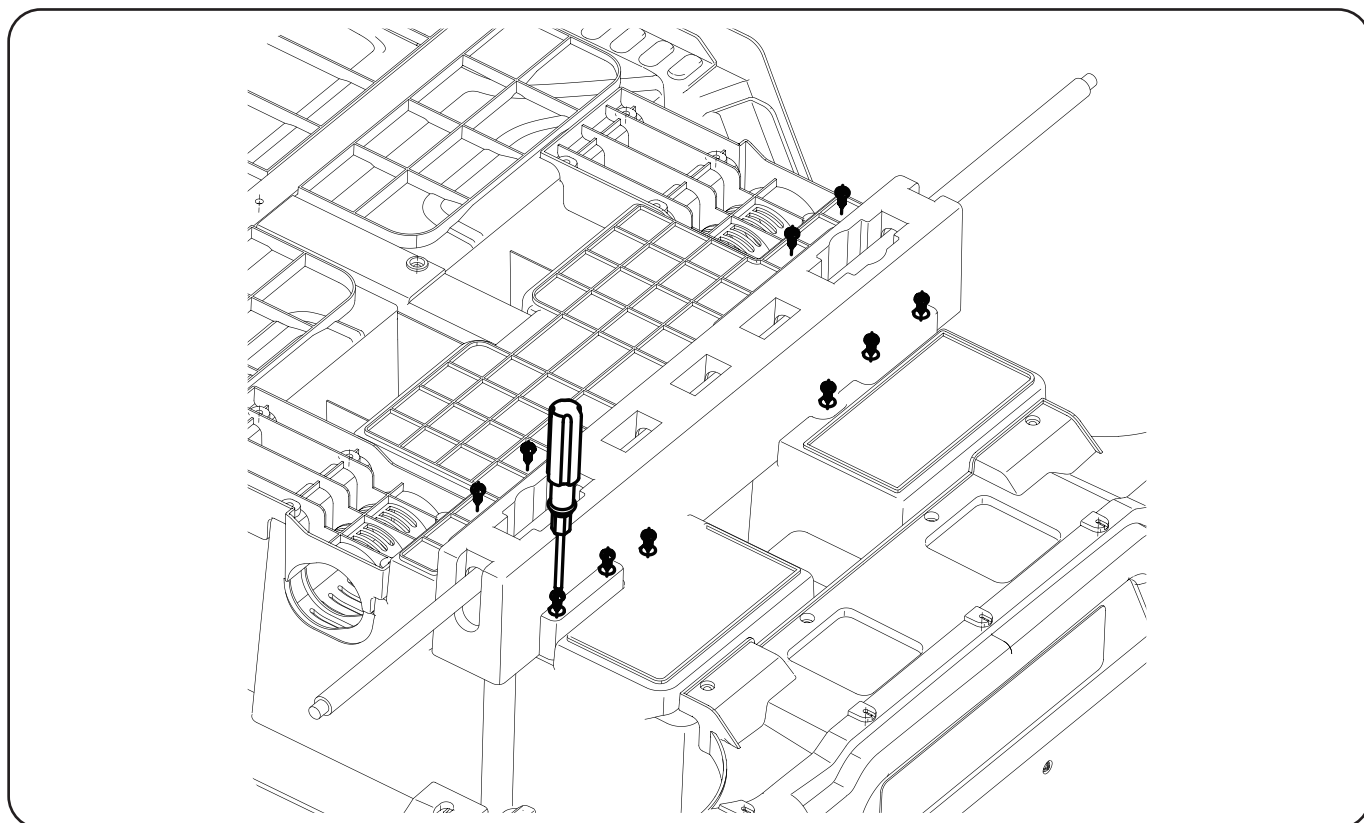
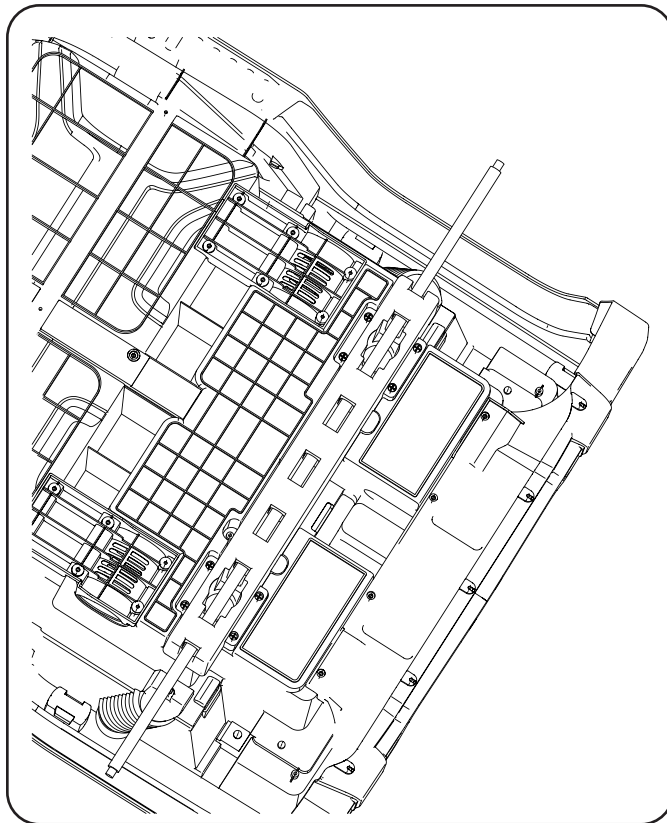
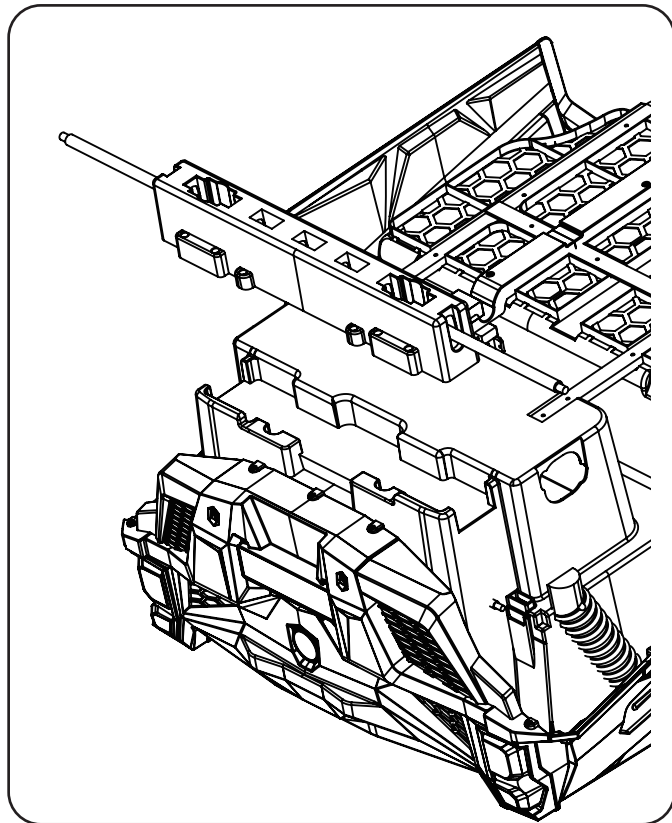
1. Remove the nut and gasket from the steering shaft
2. Fix the front axle with a wrench at the position where it fits into the vehicle body
3. Insert the steering shaft into the steering bracket



# ASSEMBLY STEPS

## Install the rear axle

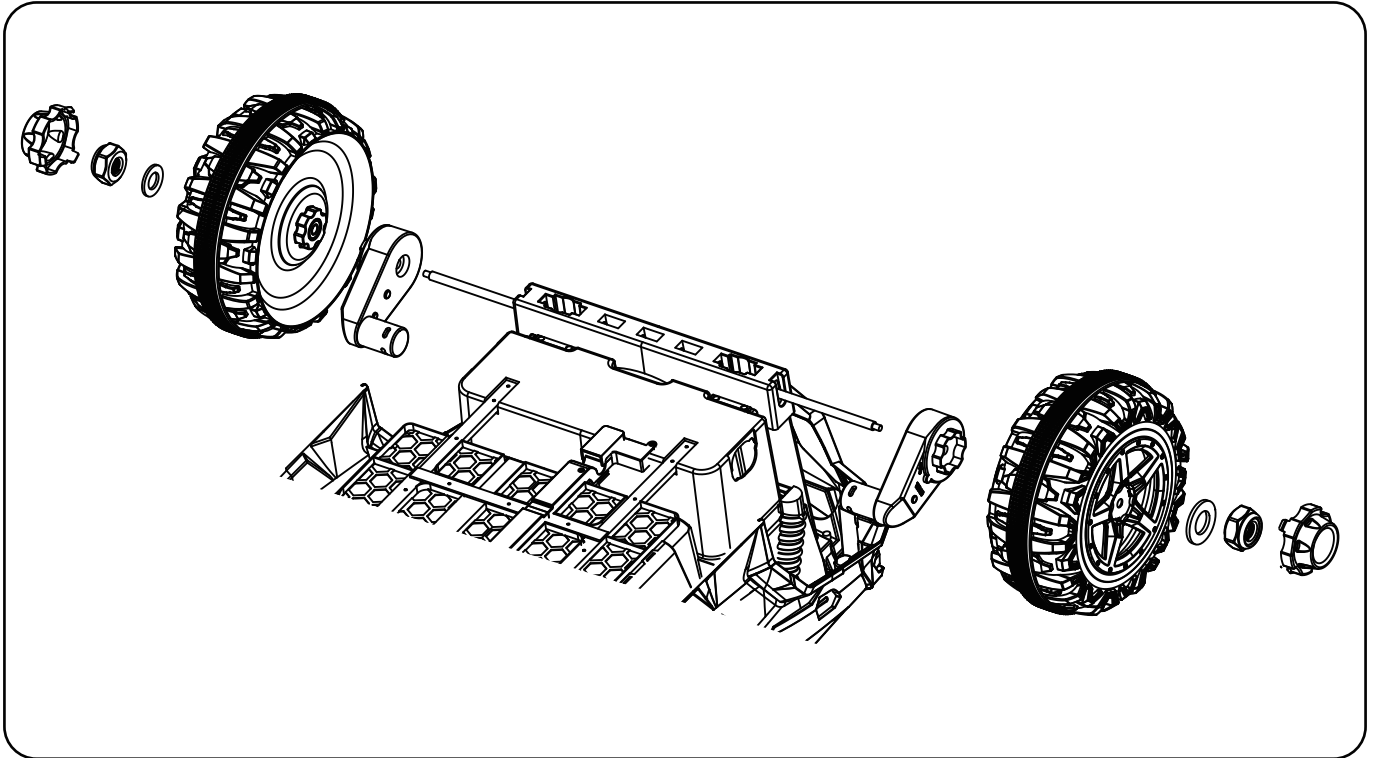
1. Remove the screws from the vehicle body.
2. Install the rear axle bracket to the vehicle body position.
3. Fix with screws.



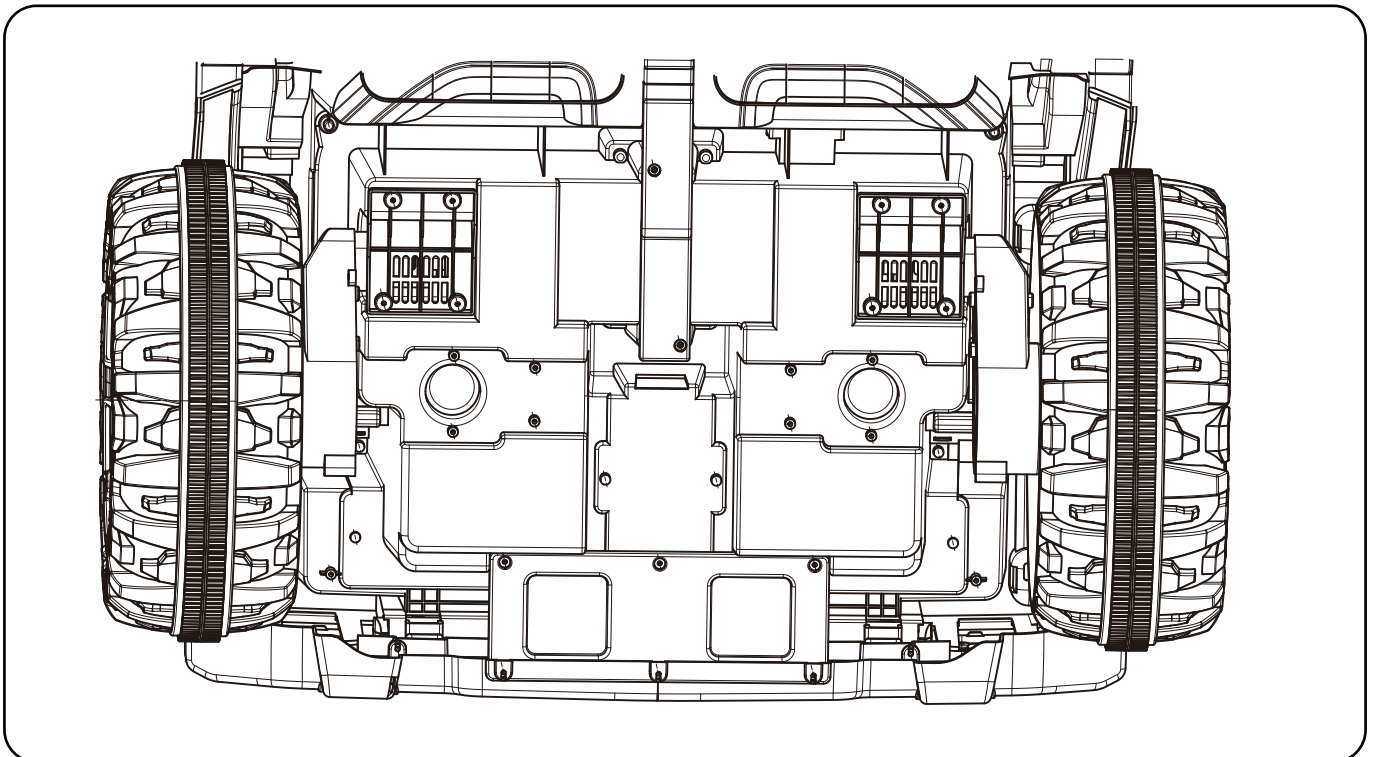
# ASSEMBLY STEPS

## Install the rear wheels

1. Install a motor, Plug the wires on the motor into the holes in the car.
2. The wheels pass through the rear axle and are fixed together with the motor.
3. put a M10 washer and fix a M8 nut.
4. Clip the wheel core cover onto the wheel cover.



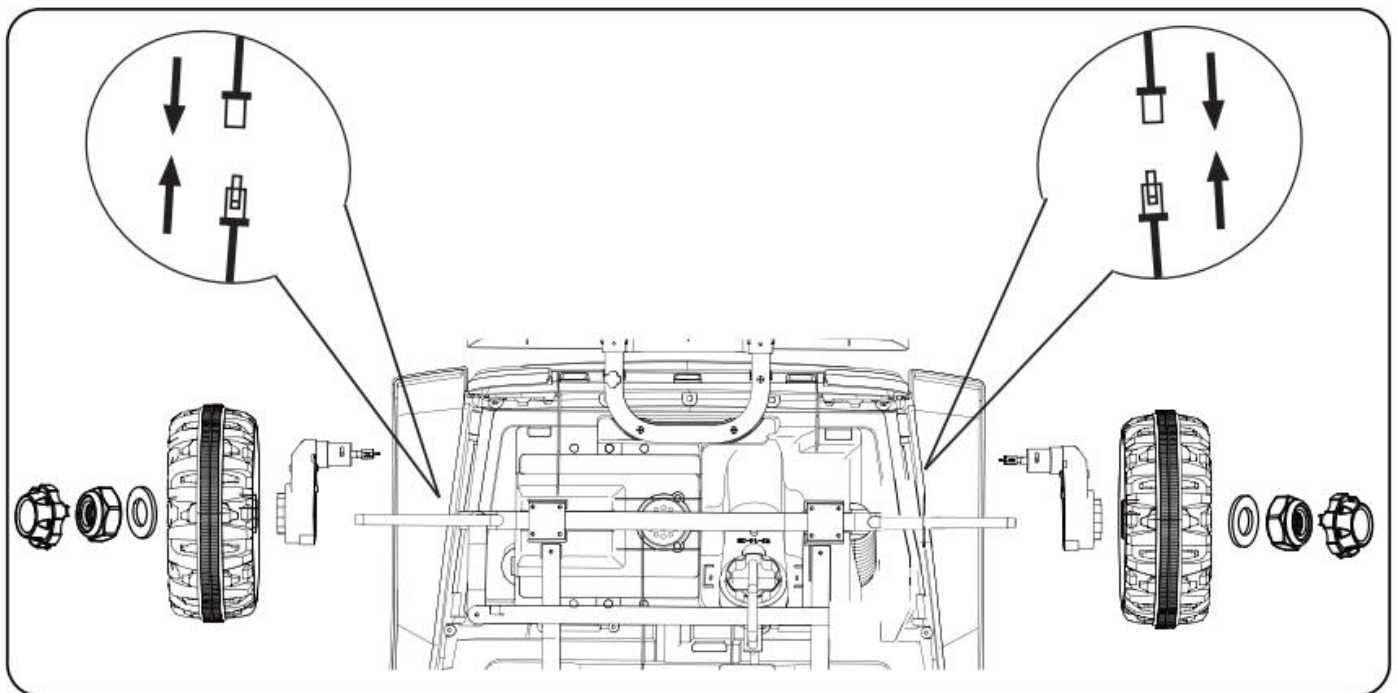
After the rear wheel is installed, as shown in the following figure.



# ASSEMBLY STEPS

## Install the front wheel for four wheel drive

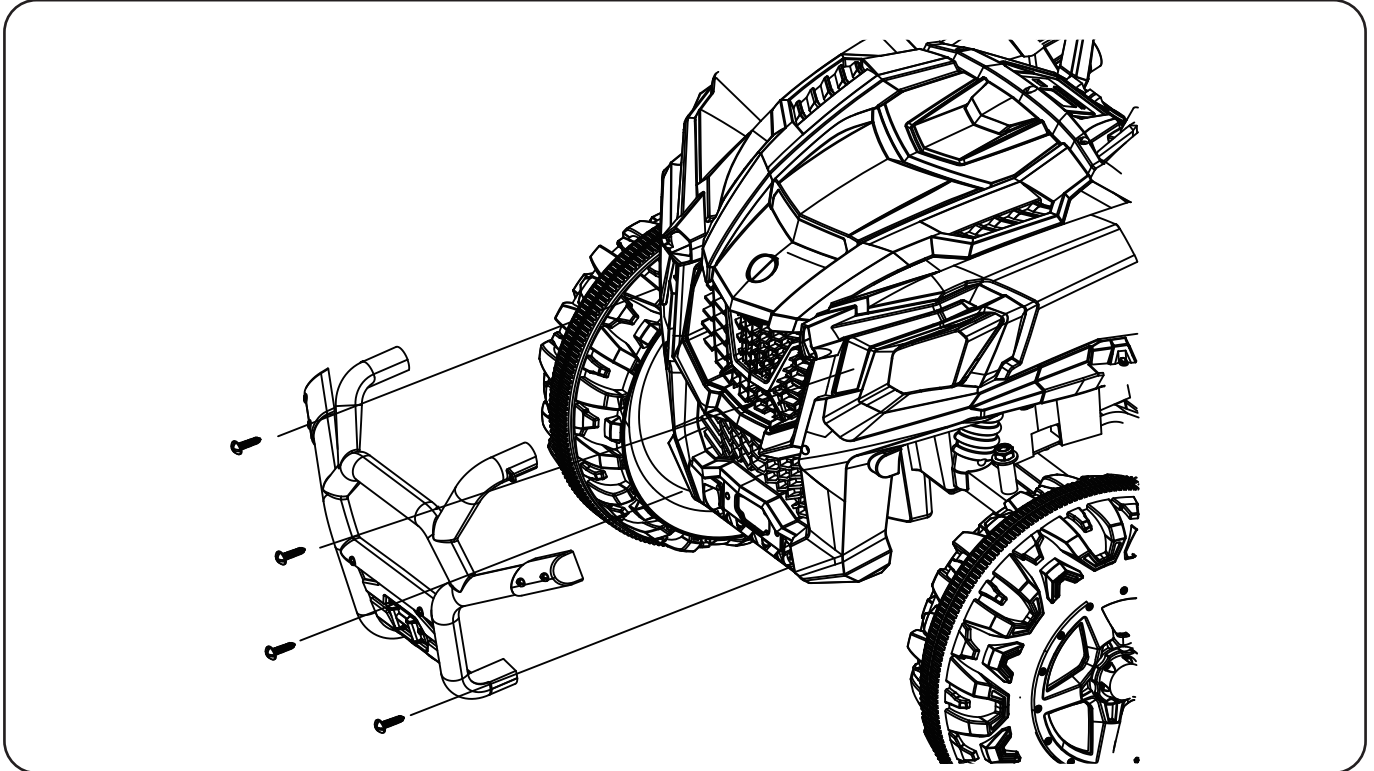
1. Install a motor, Plug the wire on the motor Docking of the motor cable and the plug on the vehicle bottom.
2. The wheels pass through the front axle and fixed together with the motor.
3. put a M10 washer and fix a M8 nut.
4. Clip the wheel core cover onto the wheel cover.



# ASSEMBLY STEPS

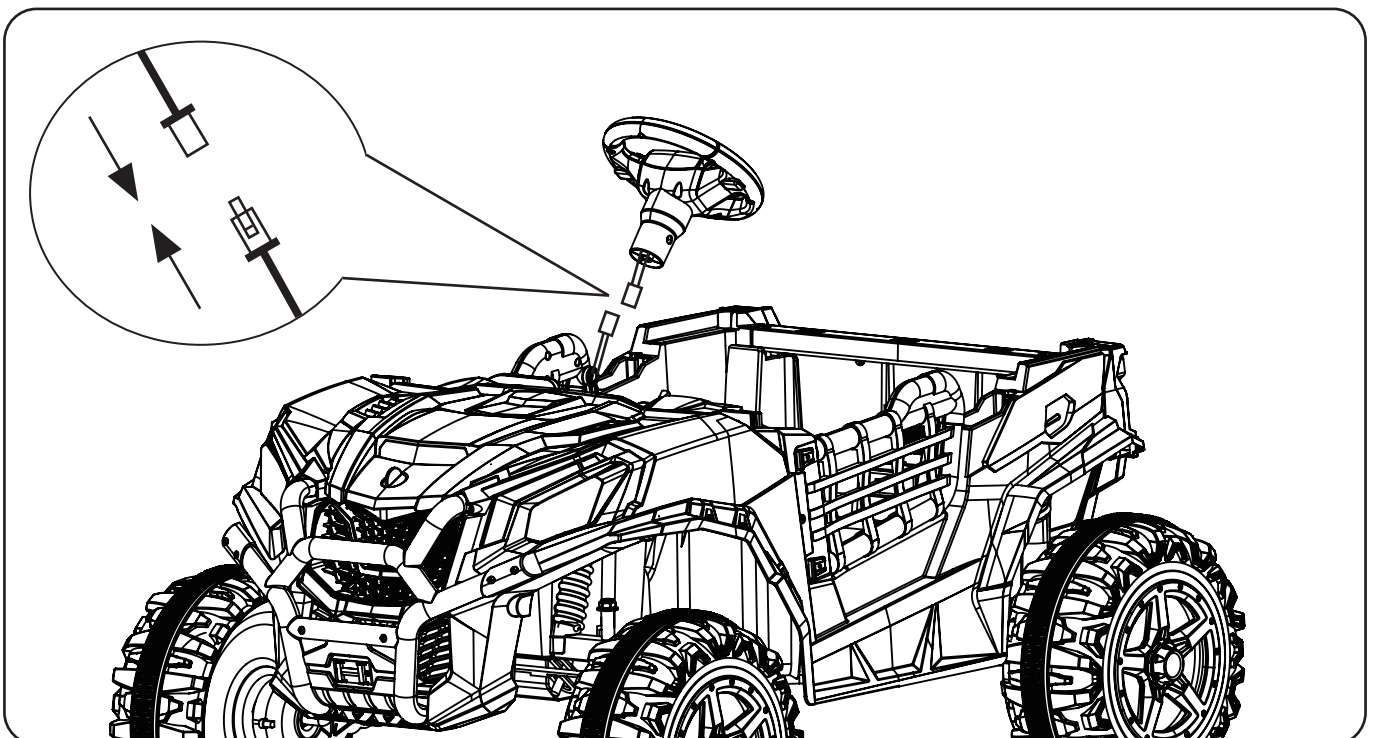
## Install the front bumper

- 1.Remove the screws from the car head.
- 2.Install the front bumper to the vehicle body position.
- 3.Fix with screws.



## Install the steering wheel

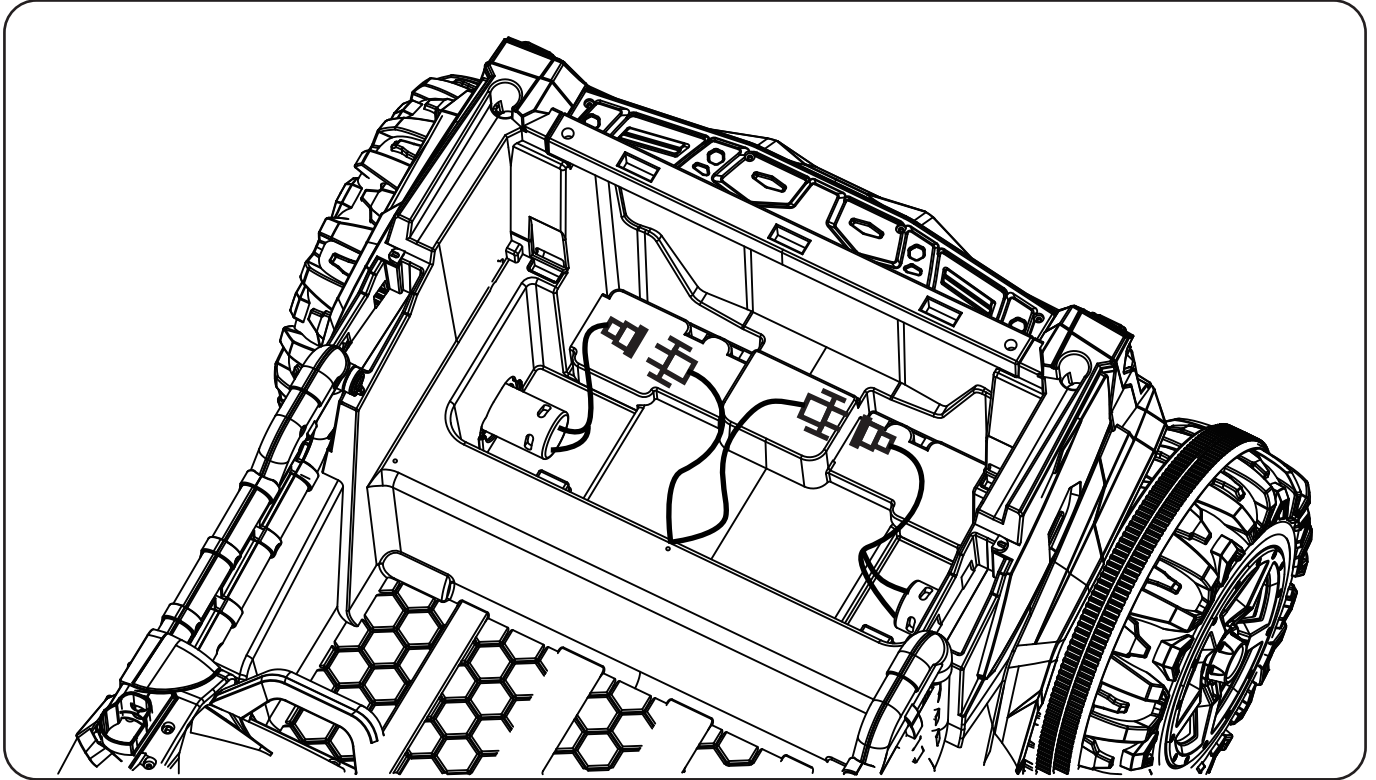
- 1.Connect the wiring.
- 2.Align the hole position, press down, and it will be installed properly.



# ASSEMBLY STEPS

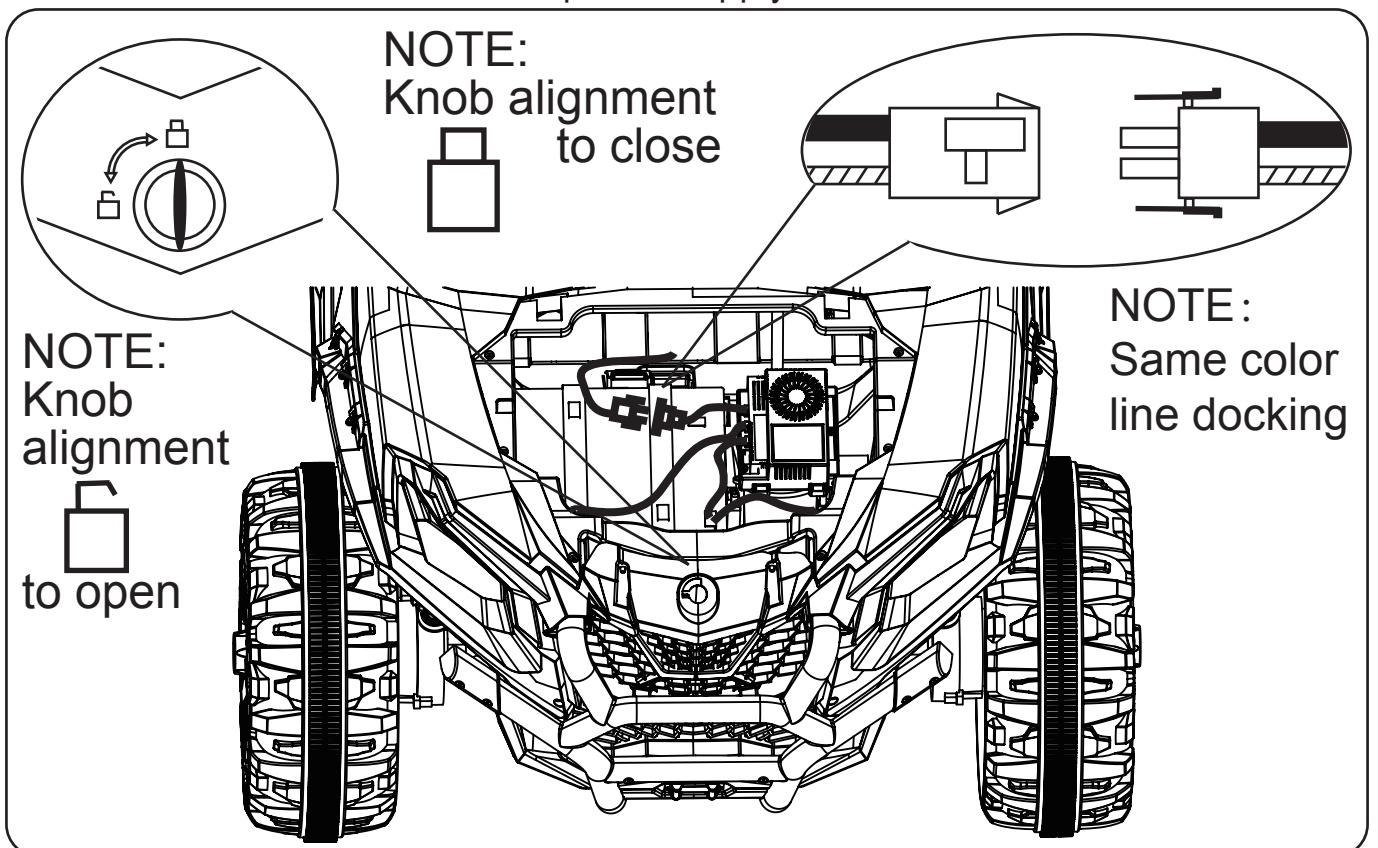
## Connect the wires to the motor

Connect the motor wires for the rear wheel drive on both sides.



## Connect the wires to the main power supply

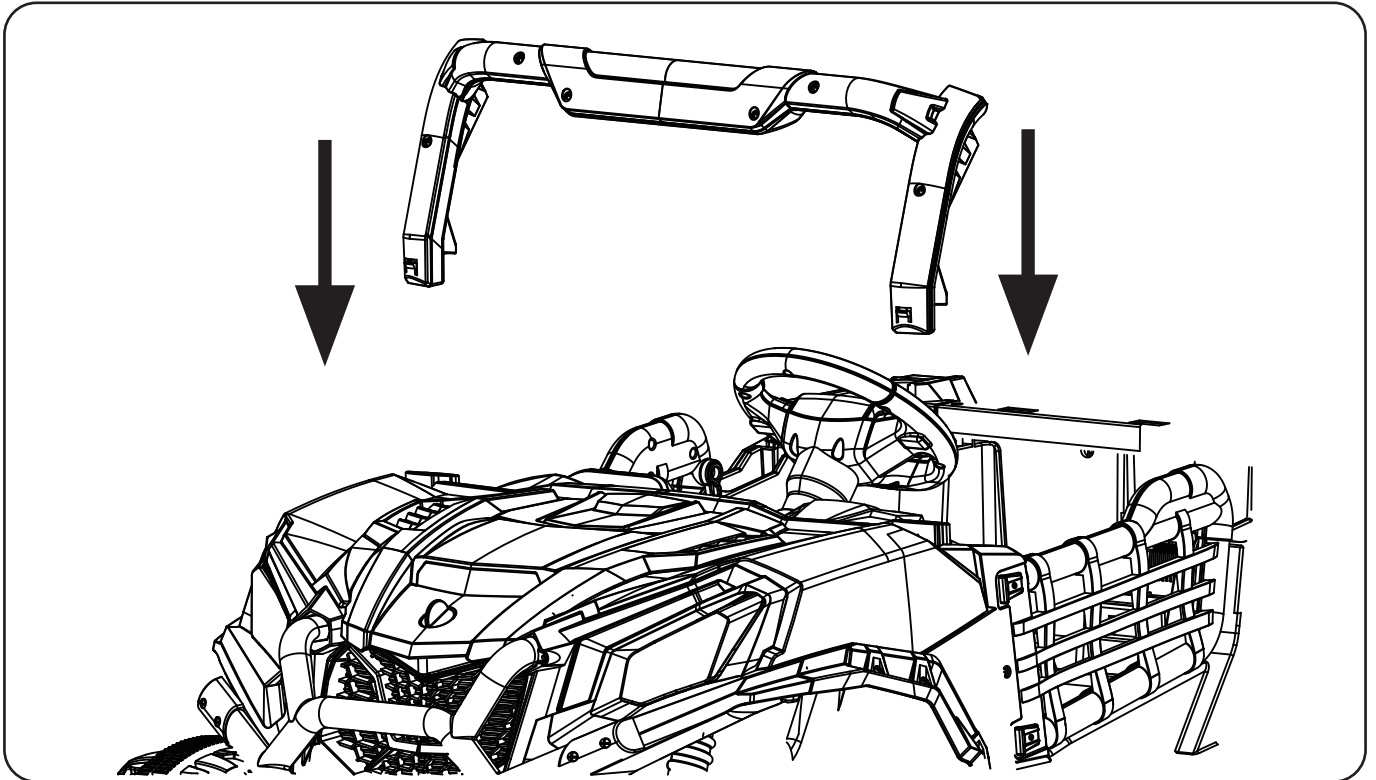
1. Open the front cover of the car.
2. Connect the wires to the main power supply.



# ASSEMBLY STEPS

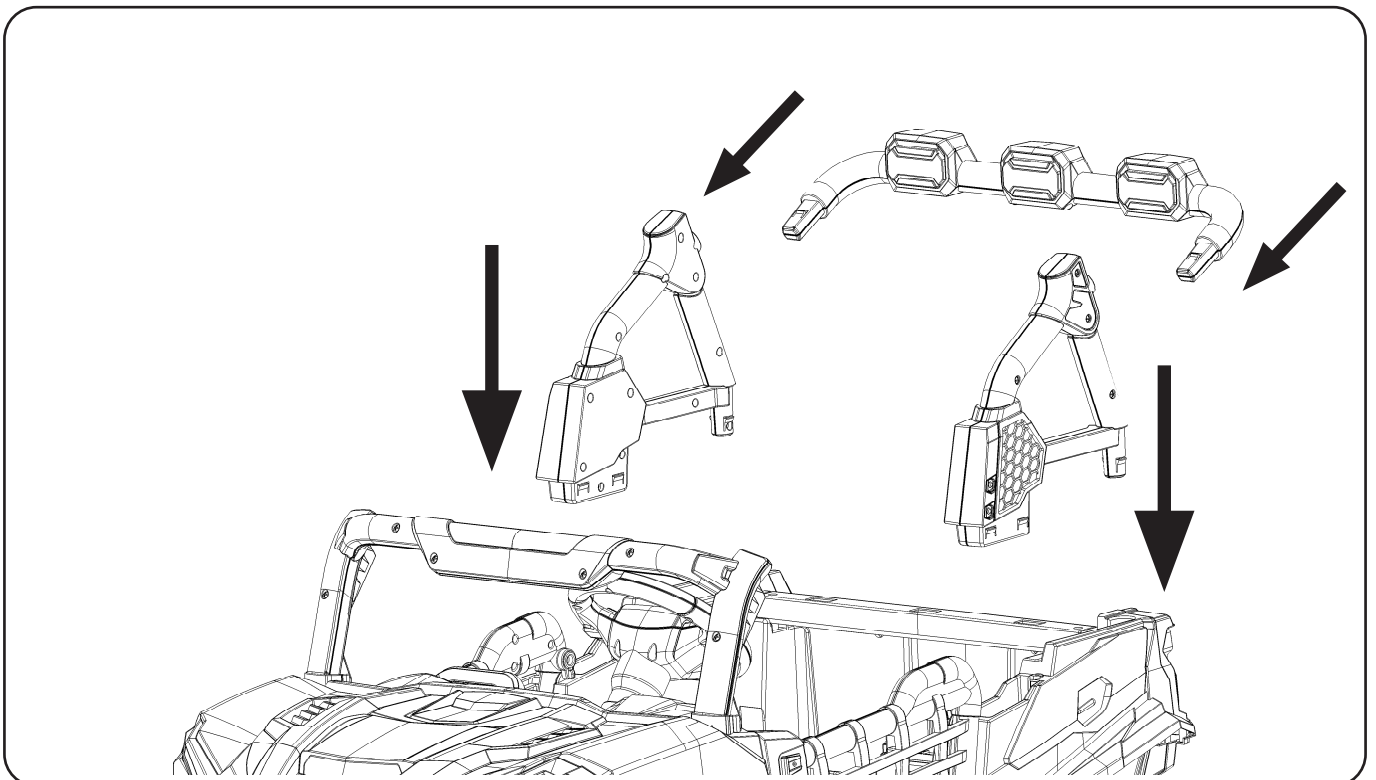
## Install the front windshield frame

Align the hole position, press down, and it will be installed properly.



## Install the rear tailstock assembly

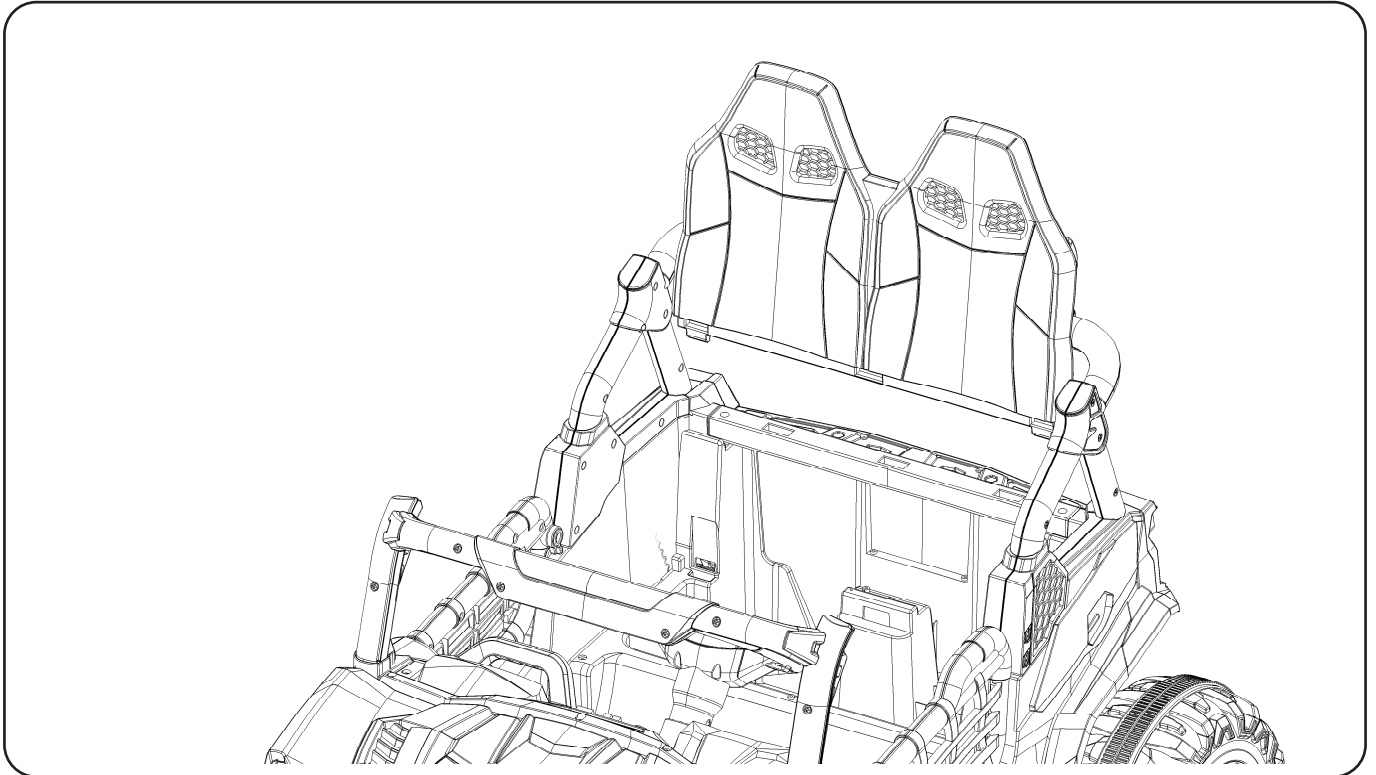
1. Insert the left and right tailstock into the car body.
2. Insert the rear tail light bracket into the brackets on both sides.



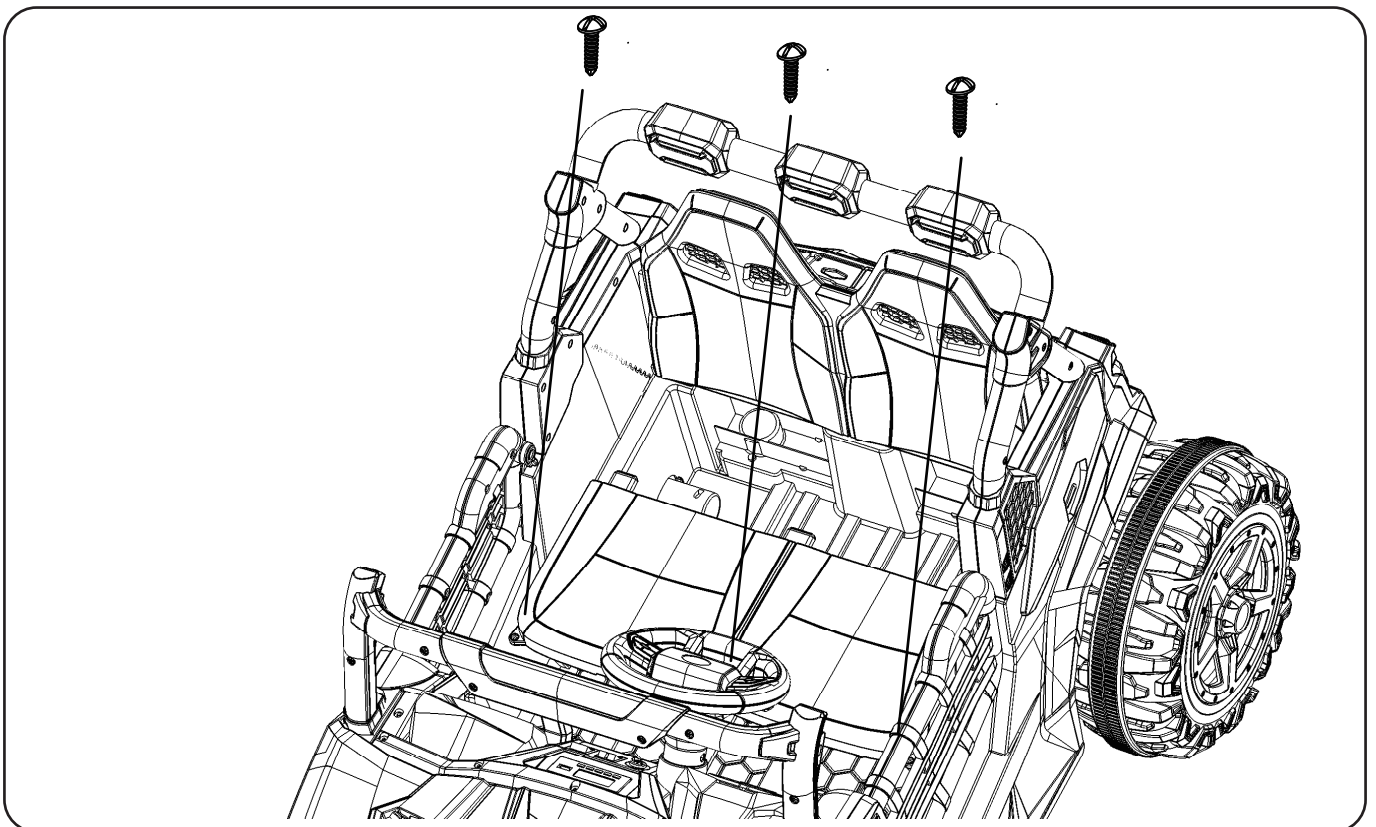
# ASSEMBLY STEPS

## Install the seat

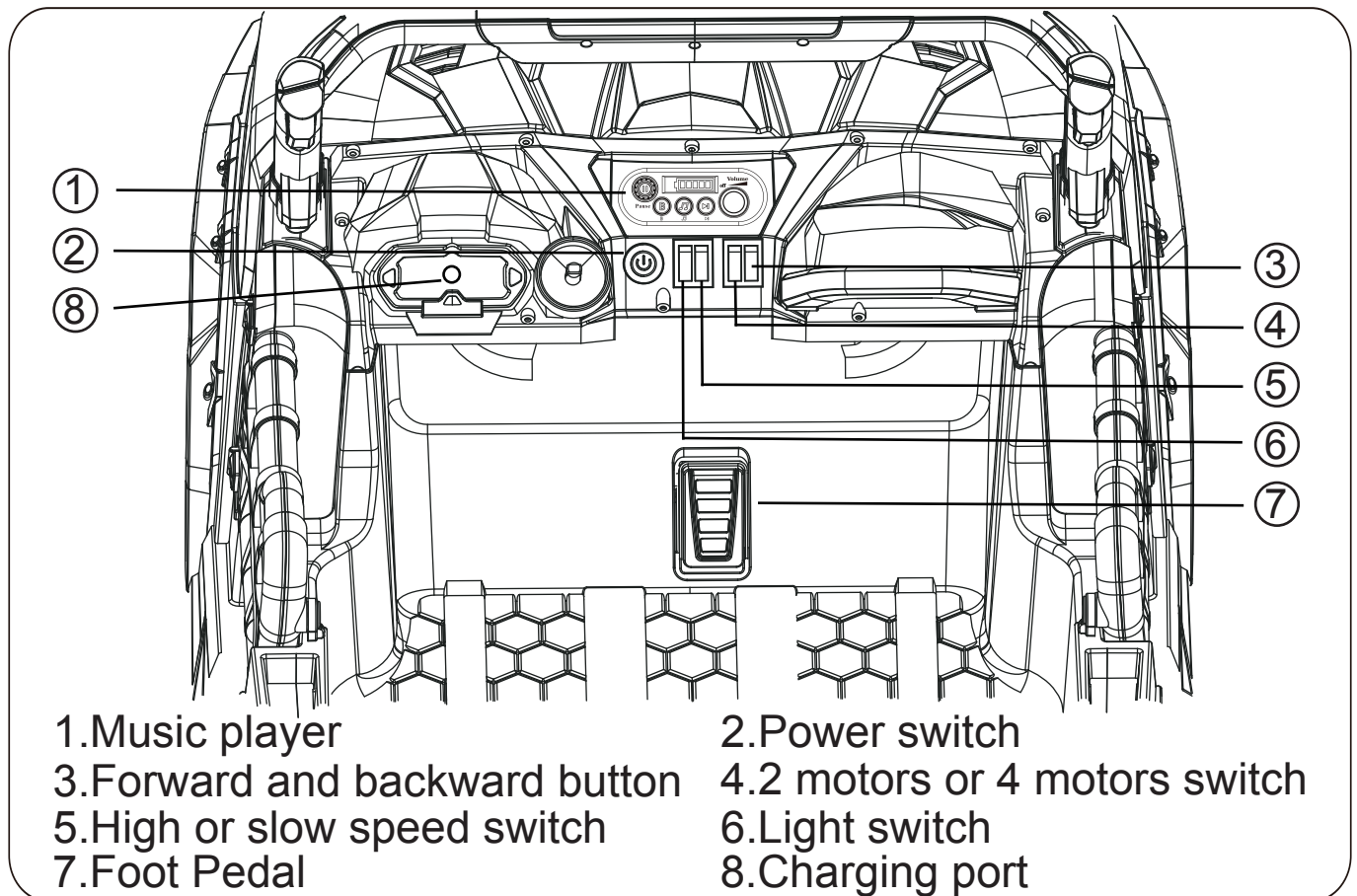
1. seat backrest, Insert the backrest into the hole from top to bottom.



2. Move the seat back smoothly, insert it to the bottom.  
Secure 3 screws for the seats finally.

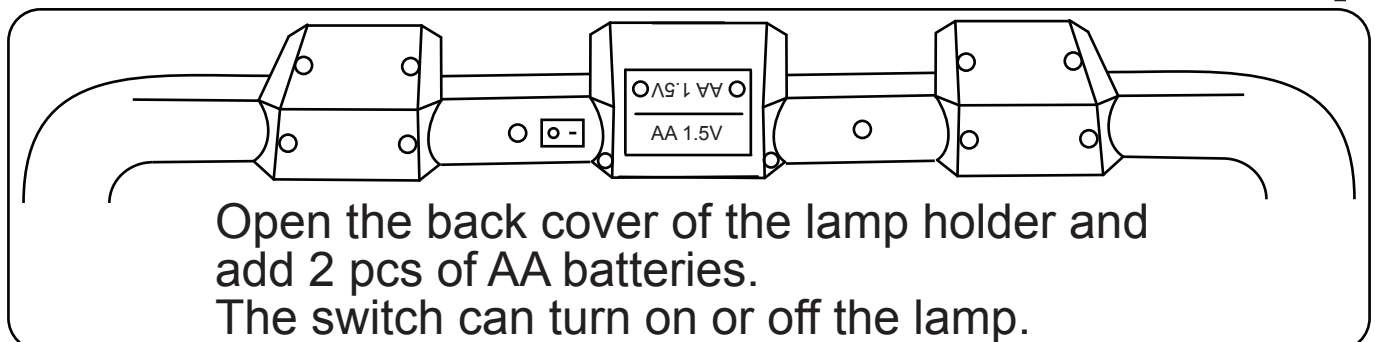


# OPERATION INDICATION



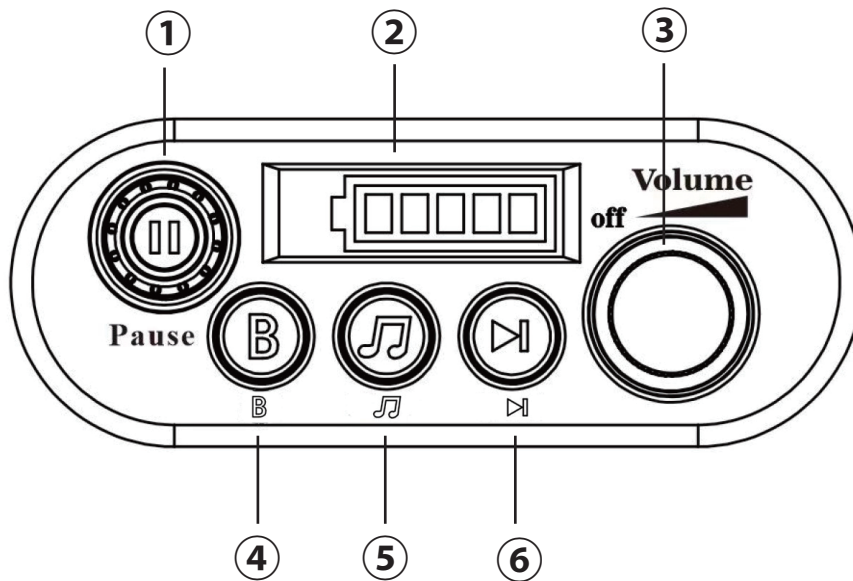
- a. Power switch - Turn on power switch, the light will be bright and there is engine sound.
- b. Music player - music function, adjust the volume, power display.
- c. Forward / Stop / Backward switch - when normal for driving can control to go forward or backward when depress the pedal switch.
- d. light switch - Lights can be turned on and off.
- e. Pedal switch - Step on the pedal switch, the car will move. when release, the car will stop slowly.
- f. 2 motors or 4 motors: switch between 2 motors or 4 motors. When switching to dual wheel drive, both front wheels can easily rotate.
- g. High or slow speed - high speed or slow speed switch.

## How to use the rear windshield frame lamp



# OPERATION INDICATION

## Music player operation



1. Pause switch

2. Power display

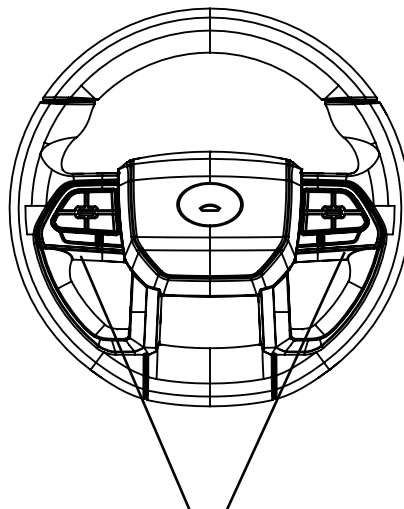
3. Volume knob

4. Bluetooth switch

5. Music switch

6. Next switch

## steering wheel function



Horn and Music button

# REMOTE CONTROL OPERATION

## Remote Control Instructions

(1). Open the battery cover of remote control and load into 2 pcs AAA(1.5V )batteries.(Not included)

(2). Instructions

a. First time use need to match code, this product has memory function

Replace battery is unnecessary match code

b. Hold down “▲” & “▼” keys for 3 seconds start match code, The first LED flicker

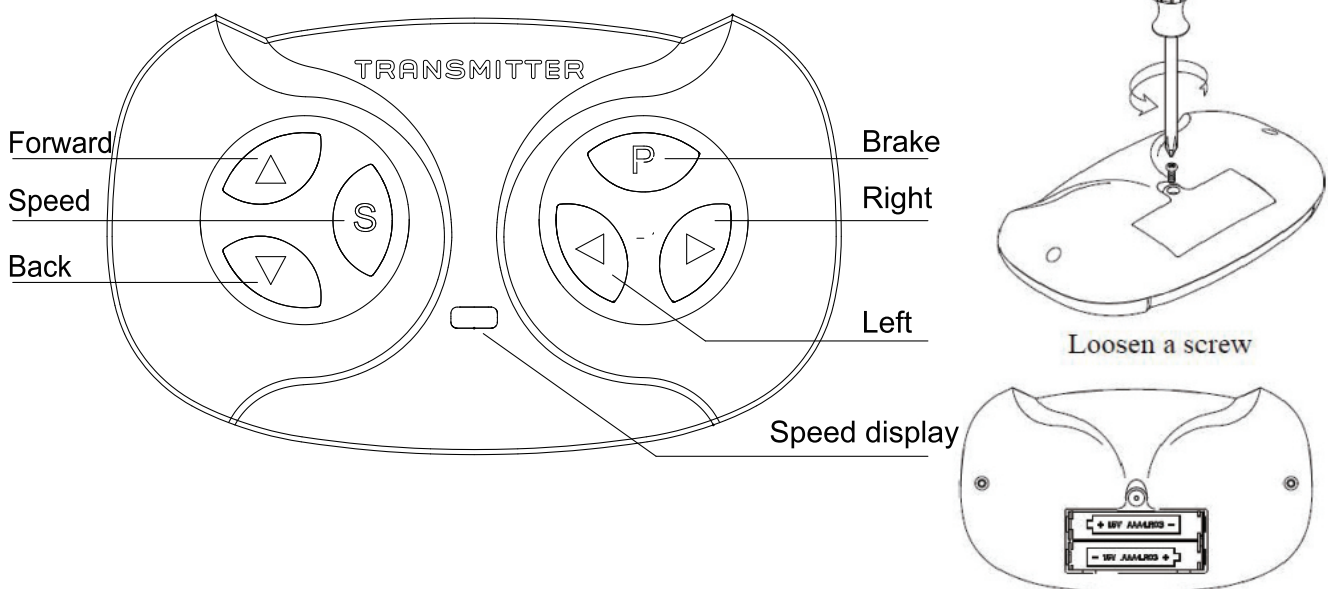
c. Turn on the car body power now, Wait for a moment, the Speed display red light stop flashing, code success.

d. Remoter 10 seconds not run will be standby ,Press any key wake up

e. Keys caption : “△” Forward,“▽” Back,“◁” Left, “▷” Right,“ S ”Speed,“ P ” Brake.

Press “ S ” key set up speed , 1 led lit up is low speed , 2 leds lit up is medium speed , 3 leds lit up is high speed, Back a car is only low speed

Press “ P ” key hold the brake, All LED flicker



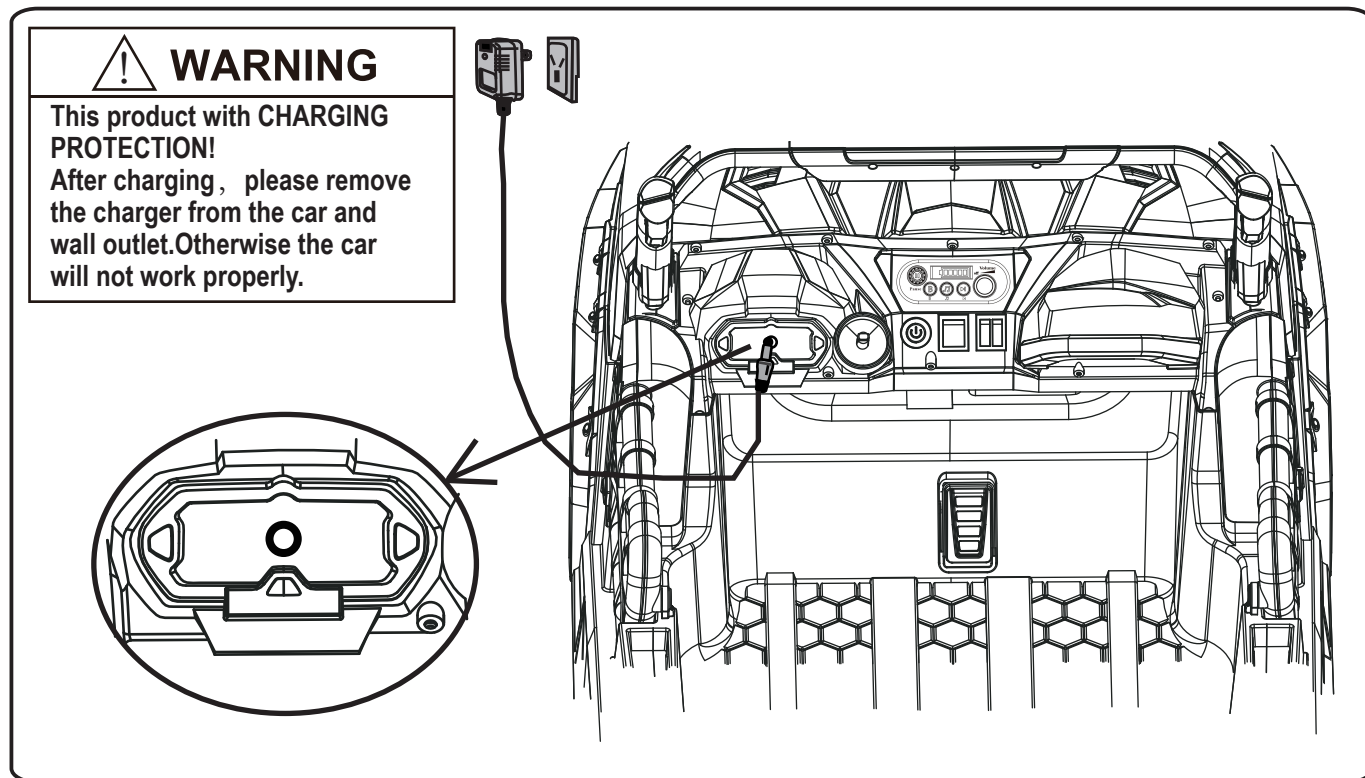
## WARNING:

The remote control is not a toy. It is for the adult use only, and should not be used by a child. A close adult supervision is always required. Reception range may change significantly with weather, battery, and other environmental conditions.

When the remote control is operated, the pedal switch of the product is invalid; when the remote control is cut off, the pedal switch can be used.

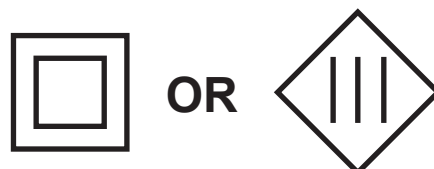
# CHARGING INDICATION

When the power display shows low power, please charge the battery in time.  
Find the charging input socket below the seat;  
Plug the charger port into the input socket;  
Plug the charger plug into a Socket on the wall.  
The battery will begin charging.



## NOTE:

this toy is only to be connected to equipment bearing either of the following symbols.

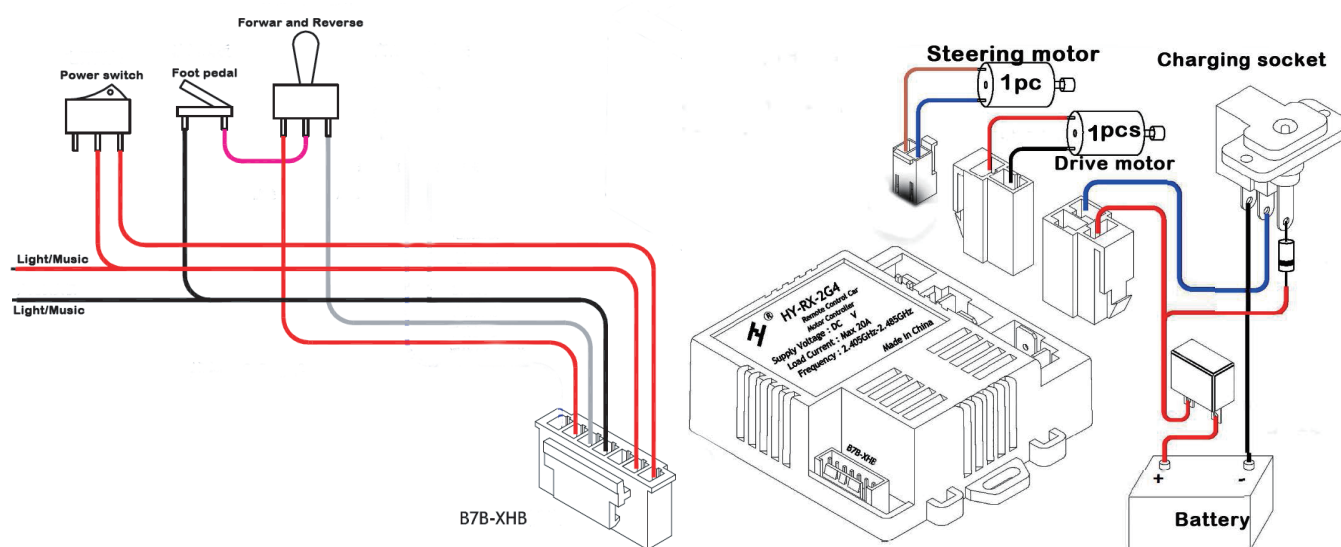


## CHARGING PRECAUTIONS

Do not open the charger. Exposed wiring and circuitry inside may cause electric shock. Only adults may handle or charge the battery. Never allow child to handle or charge the battery. Battery is heavy and contains lead acid.  
Do not drop the battery. Permanent damage to the battery could occur or cause serious injury.  
Before charging the battery, check for wear or damage to the battery, charger, its supply cord and the connectors. Do not charge the battery if any damage to parts has occurred.  
Do not allow the battery to drain completely. Recharge the battery after each use or once a month if not used regularly.  
Do not charge battery upside down.  
Always secure the battery with the bracket.  
Battery can fall out and injure a child if vehicle tips over.

# CHARGING WARNING

## CIRCUIT DIAGRAM



## **WARNING!**

### • **PREVENT FIRE AND ELECTRIC SHOCK:**

- Do not open the charger. Exposed wiring and circuitry inside case may cause electric shock.
- Only adults may handle or charge the battery. NEVER allow child to handle or charge the battery. Battery is heavy and contains lead acid (electrolyte).
- Do not drop the battery. Permanent damage to the battery could occur or cause serious injury.
- Before charging the battery, check for wear or damage to the battery, charger, its supply cord and the connectors. DO NOT charge the battery if any damage to parts has occurred.
- Do not allow the battery to drain completely. Recharge the battery after each use or once a month if not used regularly.
- Do not charge battery upside down.
- Always secure the battery with the bracket. Battery can fall out and injure a child if vehicle tips over.
- A recommendation for adult supervision of young children.
- The toy should be used with caution since skill is required to avoid falls or collisions causing injury to the user or third parties

# TROUBLESHOOTING GUIDE

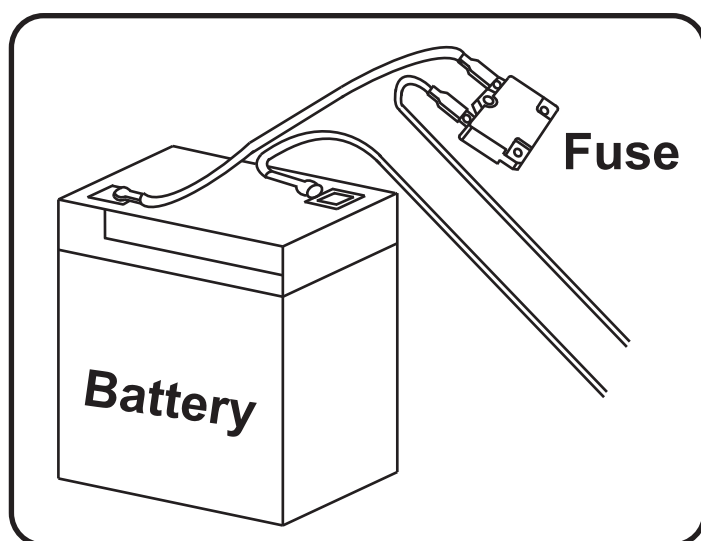
## ■ PROBLEM: The vehicle does not run

**PROBLEM CAUSE:** The battery may low on power.

After each use, or once a month minimum, charge the battery for 8-12 hours. Do not leave the battery on the charger for more than 20 hours.

**POSSIBLE CAUSE:** Thermal fuse has tripped.

The vehicle is equipped with a self-resetting fuse. When the vehicle is overloaded or operated incorrectly; the self-resetting fuse will be cut off for 5-20 seconds before becoming operational again. The self-resetting fuse is under the seat (Refer to the picture.)



**To avoid the fuse cut off the power , follow these guidelines:**

DO NOT overload the vehicle, Maximum weight  
The maximum weight see in the specification

DO NOT tow anything behind the vehicle.

DO NOT drive up steep slopes.

DO NOT drive into fixed objects, which may cause the wheels to spin, causing the motor to overheat.

DO NOT drive in very hot weather, components may overheat.

DO NOT tamper with the electric system, Doing so may create a short circuit, causing the fuse to trip.

**POSSIBLE CAUSE:** Wheel nuts are loose.

If the nuts are not tight, the wheels will not engage the forward gears. Tighten the nut with the nut wrench.

**POSSIBLE CAUSE:** Battery connector or wires are loose.

Make Sure the battery connectors are firmly plugged in to each other.

**POSSIBLE CAUSE:** Battery is dead.

Have you properly maintained the battery according to the directions? Is the battery old? Your battery may need to be replaced.

**POSSIBLE CAUSE:** Electric system is damaged.

Water may have corroded the system, or loose dirt, gravel or sand might have jammed the switch.

**POSSIBLE CAUSE:** Motor is damaged.

The motor needs professional repair.

## ■ PROBLEM: The battery will not recharge.

**POSSIBLE CAUSE:** Battery connector or adapter connector is loose.

Make sure the battery connector and adapter connector are firmly plugged together.

**POSSIBLE CAUSE:** Charger is not plugged in.

Make sure the charger is plugged into the wall outlet and the power flow to the outlet is on.

**POSSIBLE CAUSE:** Charger is not working.

Is the charger warm while charging? If not, the charger may be broken and may need to be replaced.

# TROUBLESHOOTING GUIDE

---

## ■ **PROBLEM: The vehicle does not run very long.**

### **POSSIBLE CAUSE: Battery may be undercharged.**

You may not be charging the battery long enough. After each use, or once a month minimum, charge the battery for 8 to 12 hours. Do not leave the battery on the charger for more than 20 hours.

### **POSSIBLE CAUSE: Battery is old.**

The battery will eventually lose the ability to hold a charge. Depending on the amount of use, and varying conditions, the battery should operate for one to three years. Replace the battery with a new One.

## ■ **PROBLEM: Battery buzzes or gurgles when charging.**

This is normal and not a cause for concern. It may also be silent when charging, which is also normal.

## ■ **PROBLEM: Charger feels warm when recharging battery.**

This is normal and not a cause for concern.

## Maintaining Your Vehicle

---

- It is parents' responsibility to check main parts of the toy before using, Must regularly examine for potential hazard, such as the battery, charge, cable or cord, plug, screws are fastening enclosure of other parts and that in the event of such damage, the toy must not be until that damage had been properly removed.
- Make sure the plastic parts of the vehicle are not cracked or broken.
- Occasionally use a lightweight oil to lubricate moving parts such as wheels.
- Park the vehicle indoors or cover it with a tarp to protect it from wet weather.
- Keep the vehicle away from sources of heat, such as stoves and heaters. Plastic parts may melt.
- Recharge the battery after each use. Only an adult can handle the battery. Recharge the battery at least once a month when the vehicle Raider is not being used.
- Do not wash the vehicle with a hose. Do not wash the vehicle with soap and water. Do not drive the vehicle in rainy or snowy weather. Water will damage the motor, electric system and battery.
- Clean the vehicle with a soft, dry cloth. To restore shine to plastic parts, use a non-wax furniture polish. Do not use car wax. Do not use abrasive cleaners.
- Do not drive the vehicle in loose dirt, sand or fine gravel which could damage moving parts, motors or the electric system.
- When not using, all the electrical source should be turn off. Turn off the power switch and disconnect the battery connection.

# DISPOSAL OF BATTERY

---

## Disposal Of Battery



- Your sealed lead-acid battery must be recycled or disposed of in an environmentally sound manner.
- Do not dispose of your lead-acid battery in a fire. The battery may explode or leak.
- Do not dispose of a lead-acid battery in your regular, household trash. The incineration, land filling or mixing of sealed lead-acid batteries with household trash is prohibited by law.
- Return an exhausted battery to your local approved lead-acid battery recycle, such as a local seller of automotive batteries.
- Contact your local waste management officials for other information regarding the environmentally sound recycling and disposal of lead-acid batteries.
- The battery must be charged only by adult .Please charge the product before using!
- The toy should not be connected to excessive powers (more than the quantity specified herein), and it should not be operated during charging process.
- Any rechargeable battery must only be charged under adult's supervision.
- Battery charger shall regularly check the wires, plugs. casing and other parts for damage and found damage should stop using and restored.
- Open the battery cover on the remote control, and put two pieces of batteries,paying attention to batteries polarity. Replace the battery cover and lock with screws (please replace the battery according to the above steps and should be done by adult) .
- All batteries should be inserted with the correct polarity.
- Non-rechargeable battery should not be charged, please remove any running-off battery from the toy.
- Do not use old and new batteries together, or mix different types of batteries.
- The battery charger used with the toy are to be regularly examined for damage to the cord, plug, enclosure and other parts, and in the event of such damage, they must not be used until that damage had been repaired.

**EXECUTION STANDARD :EN 71 EN62115 ASTM F963 CPSIA**