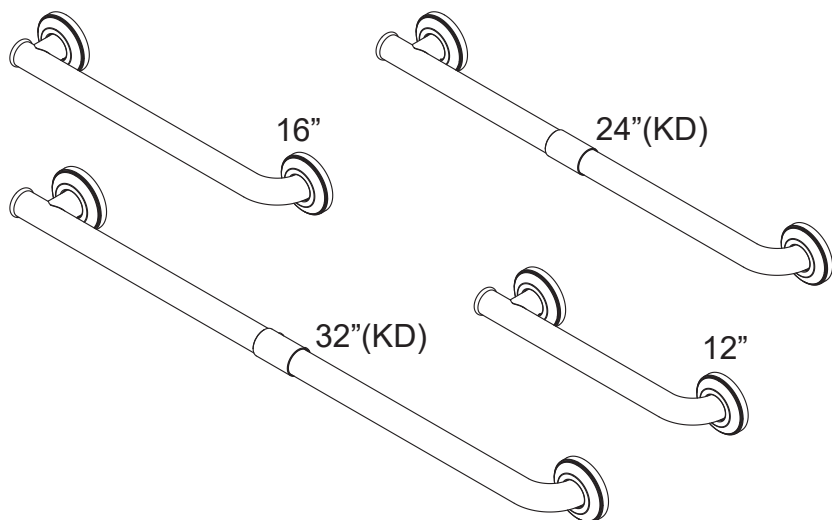


INSTALLATION AND CARE GUIDE



Bath Safety Grab Bar
(Chelsea Collection - Asymmetrical Design)

We appreciate the trust and confidence you have placed in Safety+Beauty/AmeriLuck through the purchase of this Stainless Steel Constructed Decorative Bath Safety Grab Bar.

We strive to continually create quality products designed to enhance your home.

Visit us on AmeriLuck.com to see our full line of products available for your home improvement needs.

Thank you for choosing Safety+Beauty/AmeriLuck!

7/2020 REV.01

Information



Warning: Install in accordance with these instructions. Do not modify or alter this product in any way. After installation, check your grab bar periodically to ensure all screws are secure.



IMPORTANT: Mount the grab bars to a secure surface. The manufacturer will not accept responsibility for any and all damage caused by lack of the wall strength or improper installation.

Warranty

WHAT IS COVERED

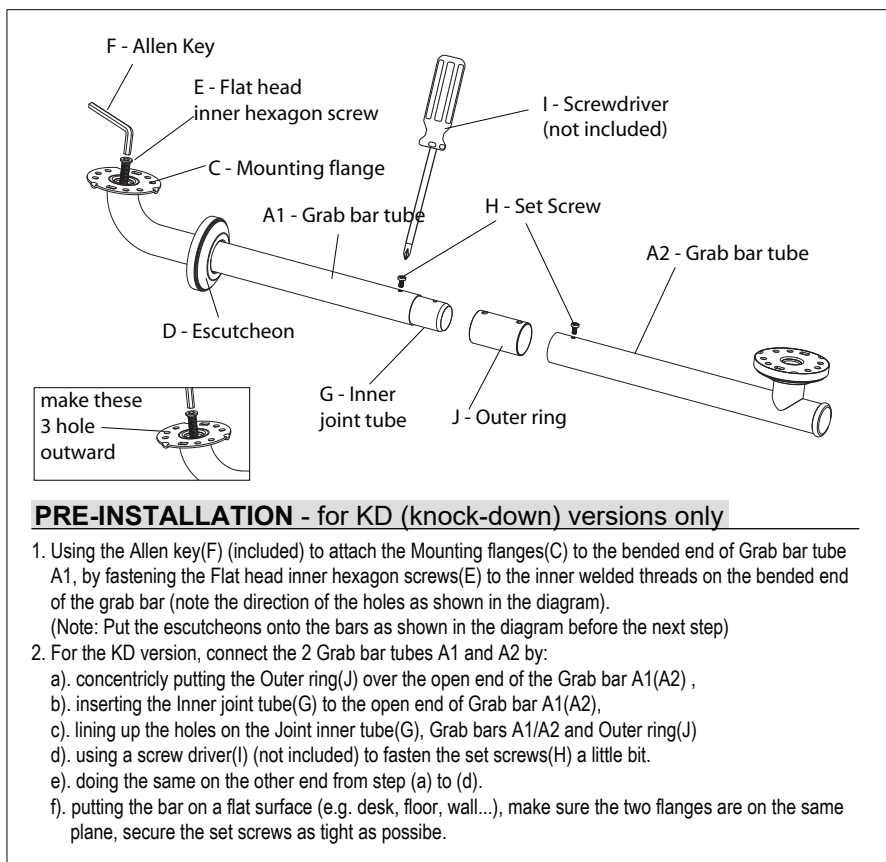
This warrants the original purchaser that this product will be free of manufacturing defects under normal domestic use for the life of the product beginning from the original date of purchase. Present warranty does not extend to anyone except the first purchaser at retail. Also, original sales receipt must be obtained in order for the warranty to be valid. To obtain warranty service, contact the seller from the website.

WHAT IS NOT COVERED

Present warranty excludes damages resulting in whole or part from installation error, product abuse, misuse, neglect, any alterations to products, improper maintenance, abrasives, corrosion and/or accidents, whether caused by a professional or anyone else.

Limited Life Time Warranty does not apply to products used in or used for industrial, commercial or business environment or purpose. The Limited Warranty is valid for 1 year under these conditions.

Any and all accessories that are subject to any type of harsh abrasive, such as detergents or window cleaners, will not be covered under the warranty. The manufacturer is not responsible for any labor or shipping charges, or damages whatsoever incurred in whole or in part from installation, removal, re-installation, repair or replacement of any product or part, as well as any incidental or consequential damages, expenses, losses, direct or indirect, arising from any cause whatsoever.



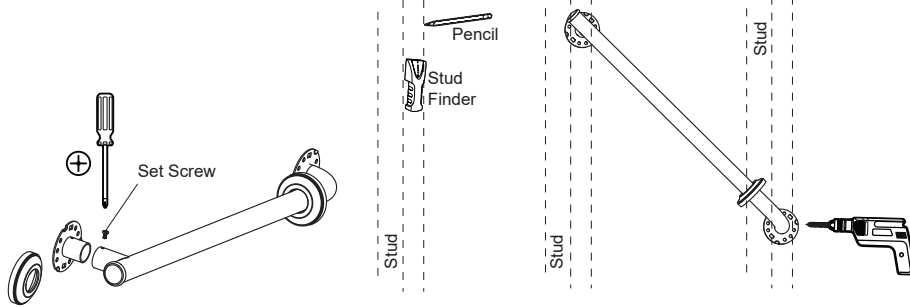


Diagram (1) Diagram (2) Diagram (3)

- 1 Use a Phillips Screwdriver (not included) to unscrew the set screw to remove the escutcheon temporarily as shown in Diagram (1), and reattach the mounting plate to the post again.
- 2 Use a stud finder to find the location of the 2 vertical studs where you want to mount the bar to. Mark the positions of the studs with a pencil. (Diagram 2)
Note: for vertical mounting, only 1 stud is needed.
- 3 Put the bar on to the desired position (vertical, horizontal or diagonal), make the two flanges on the center of the studs respectively, use the flanges as templates to drill 3 pilot holes for each post, as shown in Diagram (3).
Make sure the holes are all in the studs. (1/8 drill bits)
Note: you can mark the pilot holes with a pencil, and drill them later.

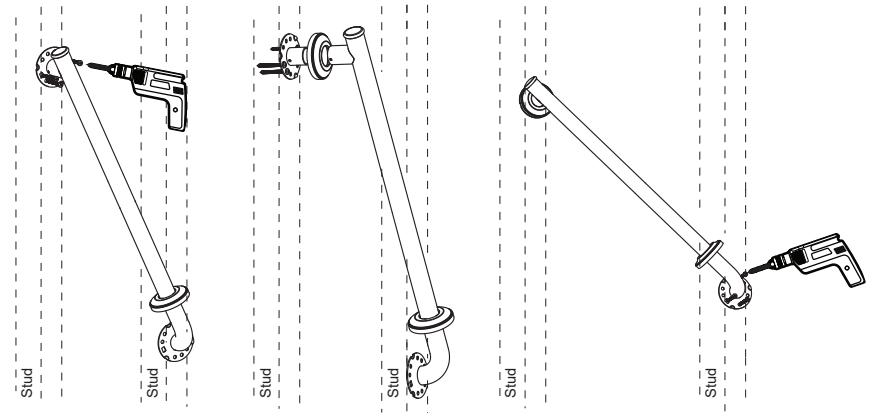


Diagram (4) Diagram (5) Diagram (6)

- 4 Secure the mounting plate of the straight end by fastening the screws (included) to the stud through the pilot holes just drilled, as shown in Diagram (4)
- 5 Redo Step (1) again, put the escutcheon on and reassemble the post as shown in Diagram (5).
- 6 Secure the mounting plate of the bended end by fastening the screws (included) to the stud through the pilot holes just drilled, as shown in Diagram (6)
- 7 Snap in the 2 escutheons onto the 2 mounting plates. Insert the decorative endcap to the open end of the tube. Enjoy the convenience and the safety the product brings to you.
HINTS: Line up the 3 dimples on the side of the escutcheon to the 3 protrusions on the mounting plate, snap-in.

Use silicone glue to seal the escutheons to the wall if needed.