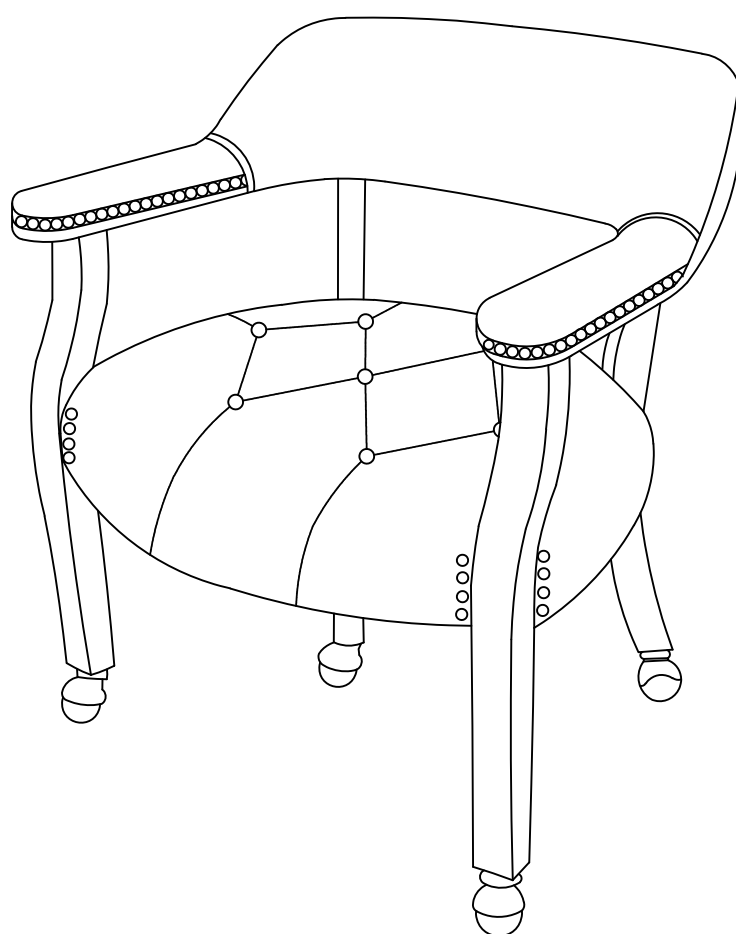


Instruction Manual(EN)/Bedienungsanleitung(DE)



General Guidelines

- **Please read the following instruction carefully and use the product accordingly.**
- **Please keep this manual and hand it over when you transfer the product.**
- **This summary may not include every detail of all variations and considered steps.**
- **Please contact us when further information and help are needed.**

Notes

- **It is recommended that two persons assemble the product together. Please strictly adhere to the assembly steps.**
- **During assembly, align all screws with the corresponding pre - drilled holes first and then tighten the screws one by one.**
- **The item is intended to be used indoors. Don't place it in humid areas for long time to prevent mildew.**
- **Avoid sharp objects or corrosive chemicals to prevent damage to the product.**
- **Please clean the product with dry cloth or professional chemical products**

Warnings

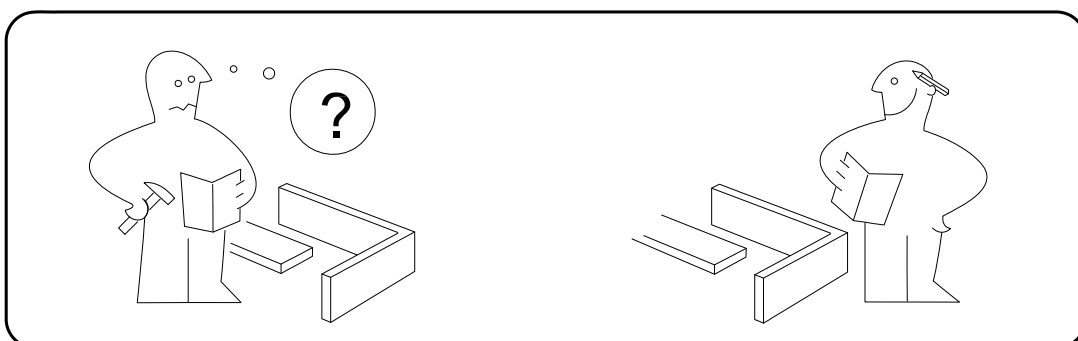
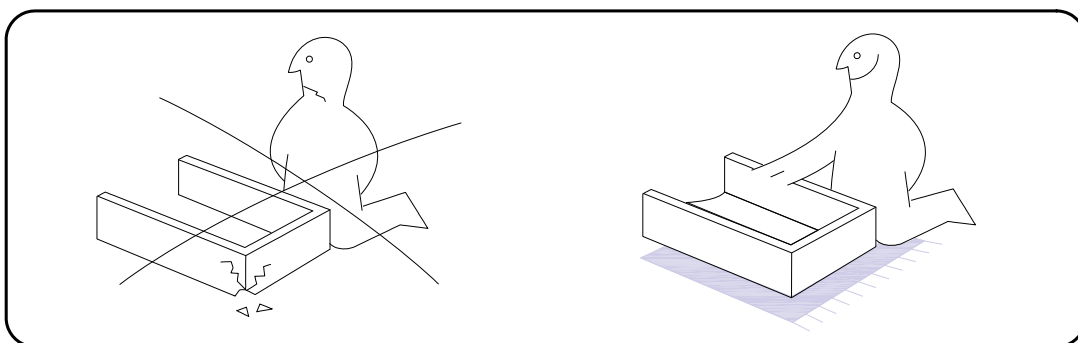
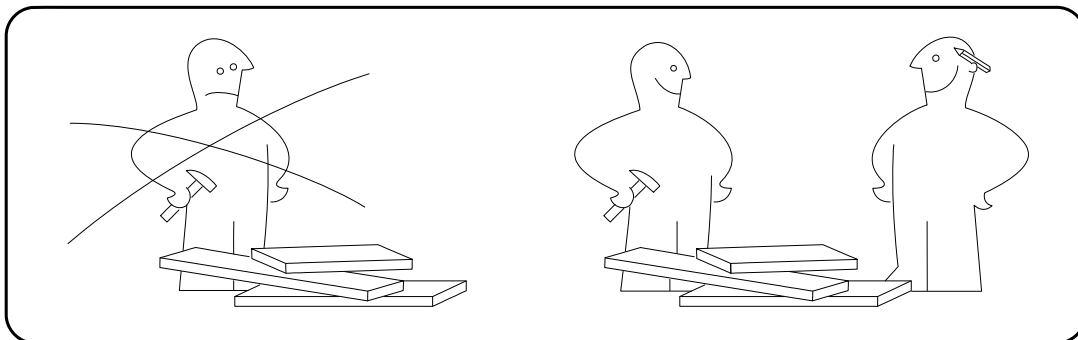
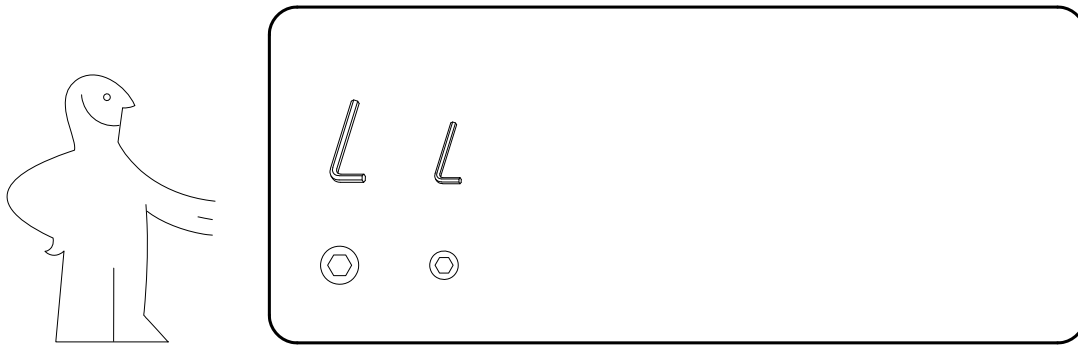
- **Children are not allowed to assemble the product. During assembly, keep all parts and packaging materials away from children as there could be injury and potential choking hazards.**
- **Children are not allowed to stand, climb or play on the product to avoid serious bodily injury by the toppling.**
- **Never use the product if any part is missing or defective. Otherwise, there will be a hazard.**
- **Please note that only one person should be seated on the chair at a time to avoid any risk of injury.**
- **If any screws or components in the product are found to be loose, we kindly ask that you cease using it immediately and tighten the screws or repair the item before using it again.**

Thank you for purchasing this quality product. Be sure to check all packing material carefully for small parts which may have come loose inside the carton during shipment. Identify and count all parts and compare with the part list below:

Do not tighten screws & bolts until the entire item is completely assembled.

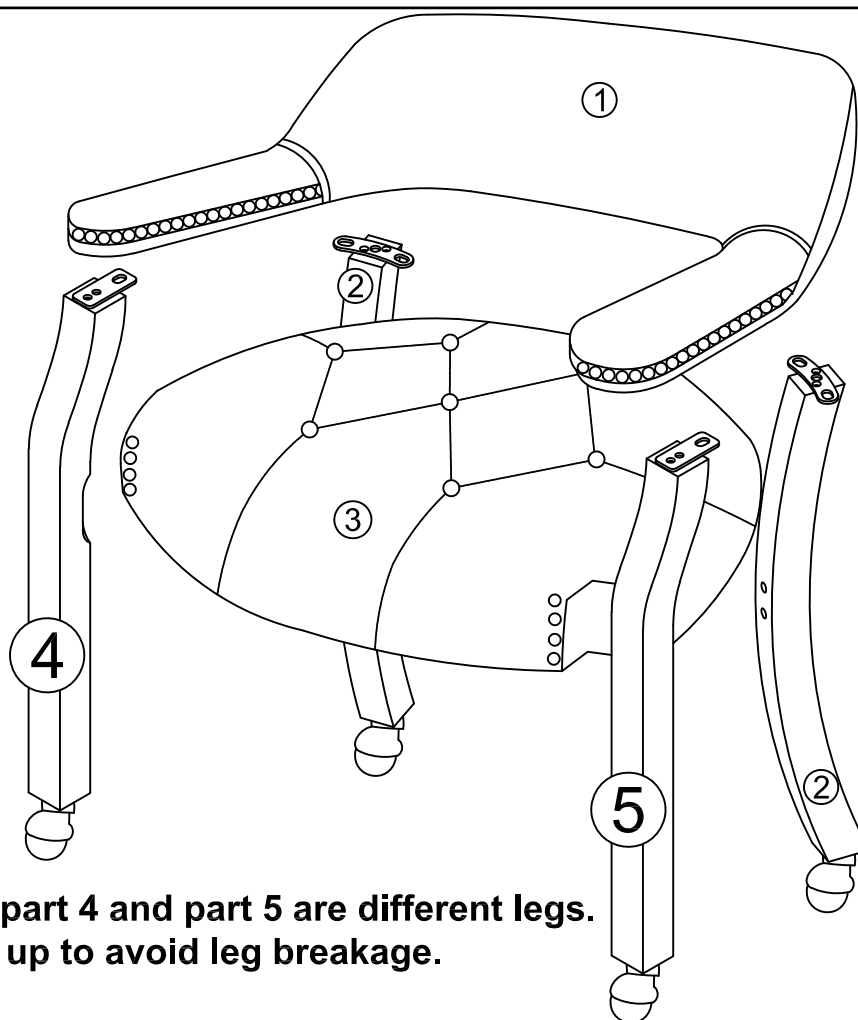
Vielen Dank, dass Sie sich für den Kauf unseres Qualitätsprodukts entschieden haben. Bitte überprüfen Sie das gesamte Verpackungsmaterial sorgfältig auf Kleinteile, die sich während des Transports im Karton gelöst haben könnten. Identifizieren und zählen Sie alle Teile und vergleichen Sie diese mit der untenstehenden Teileliste:

Ziehen Sie Schrauben und Bolzen erst fest, wenn das gesamte Möbel vollständig zusammengebaut ist.



Parts List(EN)/Teileliste(DE)










No./Nr.	Qty/Menge
①	1
②	2
③	1
④	1
⑤	1



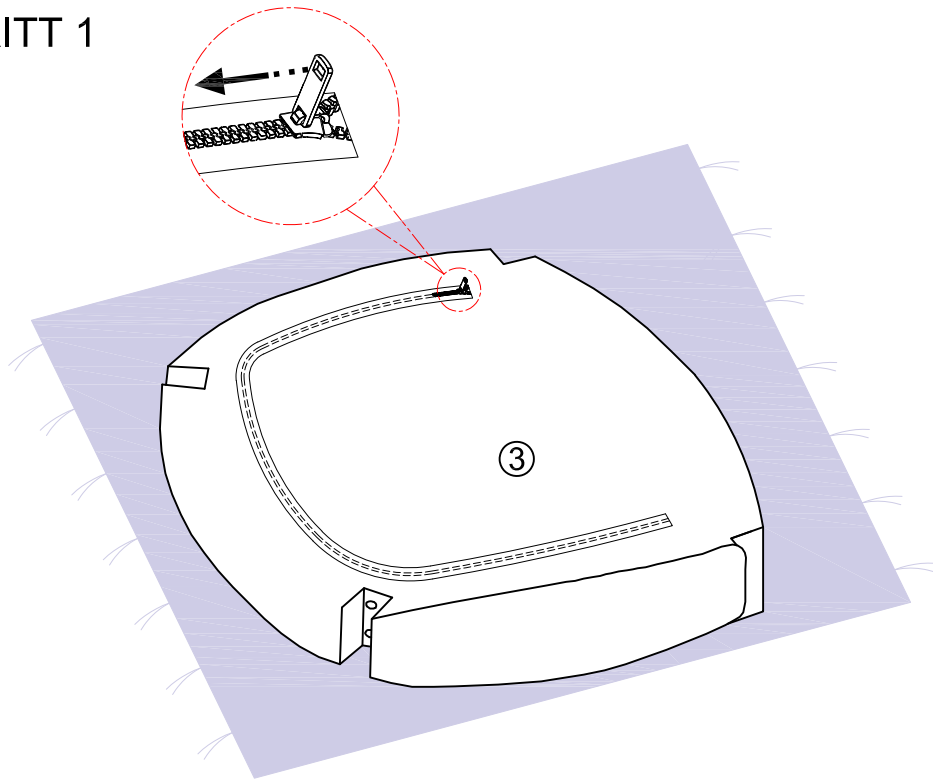
Attention:

Please note that part 4 and part 5 are different legs.
Do not mix them up to avoid leg breakage.




Parts List(EN)/Teileliste(DE)

<p>A X4</p>  <p>5/16"*3-3/4"</p>	<p>B X4</p>  <p>5/16"*2"</p>	<p>C X8</p>  <p>5/16"</p>	<p>D X8</p>  <p>5/16"*7/8"</p>
<p>E X6</p>  <p>1/4"*1"</p>	<p>F X6</p>  <p>1/4"*5/8"</p>	<p>G X6</p>  <p>1/4"</p>	<p>X1</p>  <p>5mm</p>
<p>X1</p>  <p>4mm</p>			

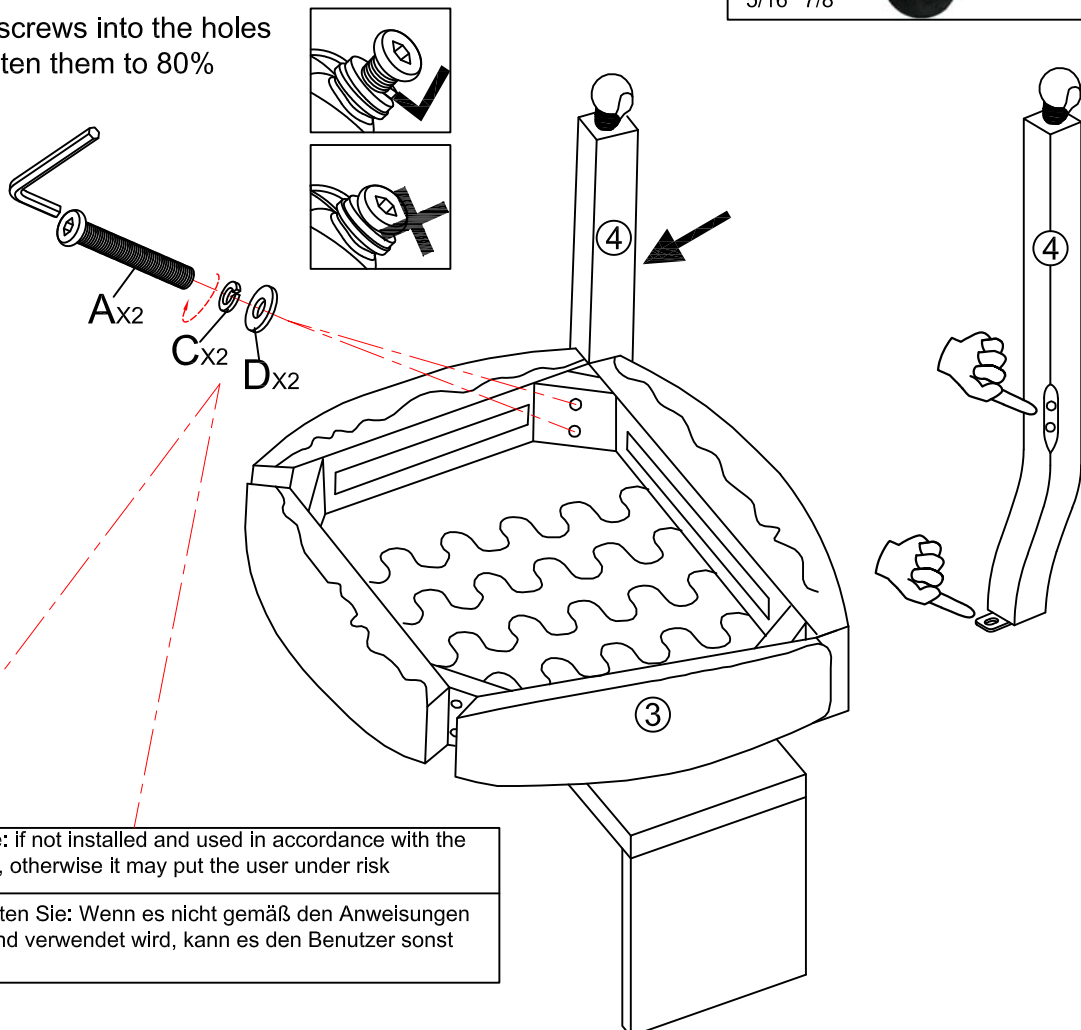
STEP/SCHRITT 1



STEP/SCHRITT 2

A X2 5/16"*3-3/4"	
C X2 5/16"	
D X2 5/16"*7/8"	




Put the screws into the holes and tighten them to 80%

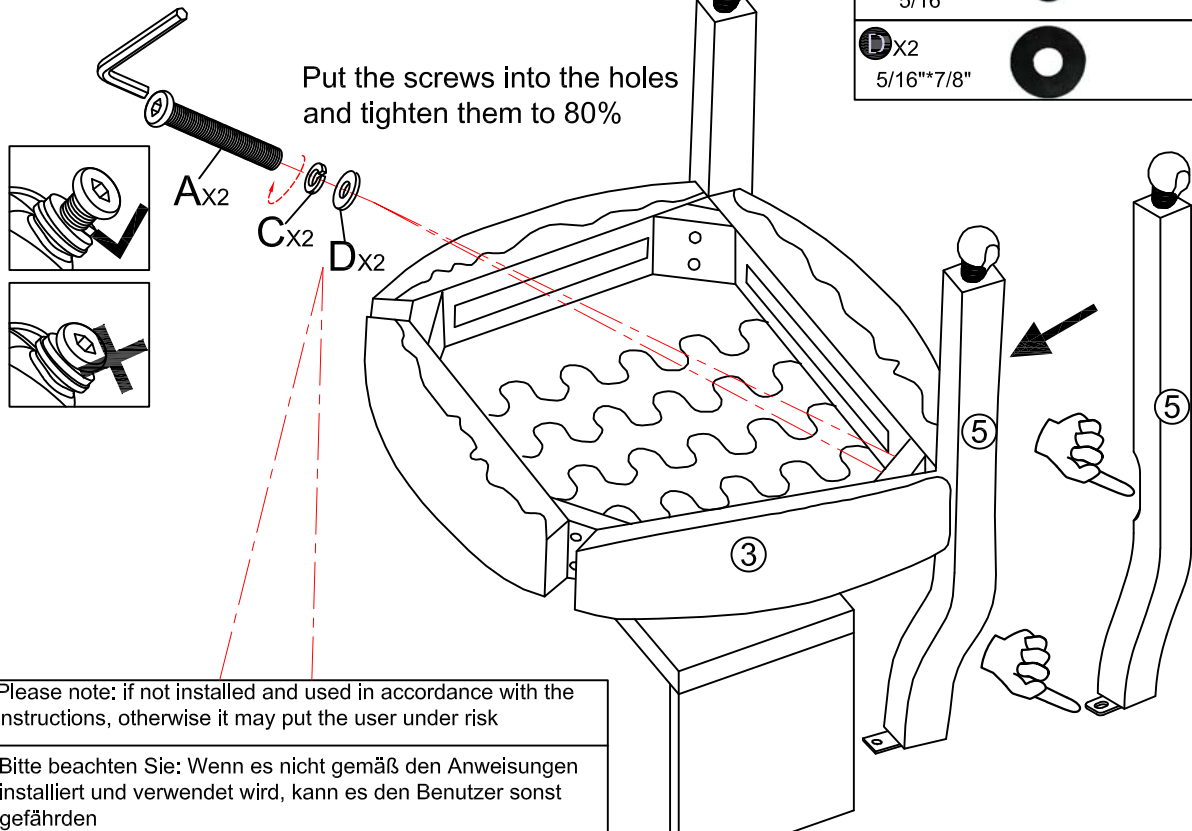


Please note: if not installed and used in accordance with the instructions, otherwise it may put the user under risk




Bitte beachten Sie: Wenn es nicht gemäß den Anweisungen installiert und verwendet wird, kann es den Benutzer sonst gefährden

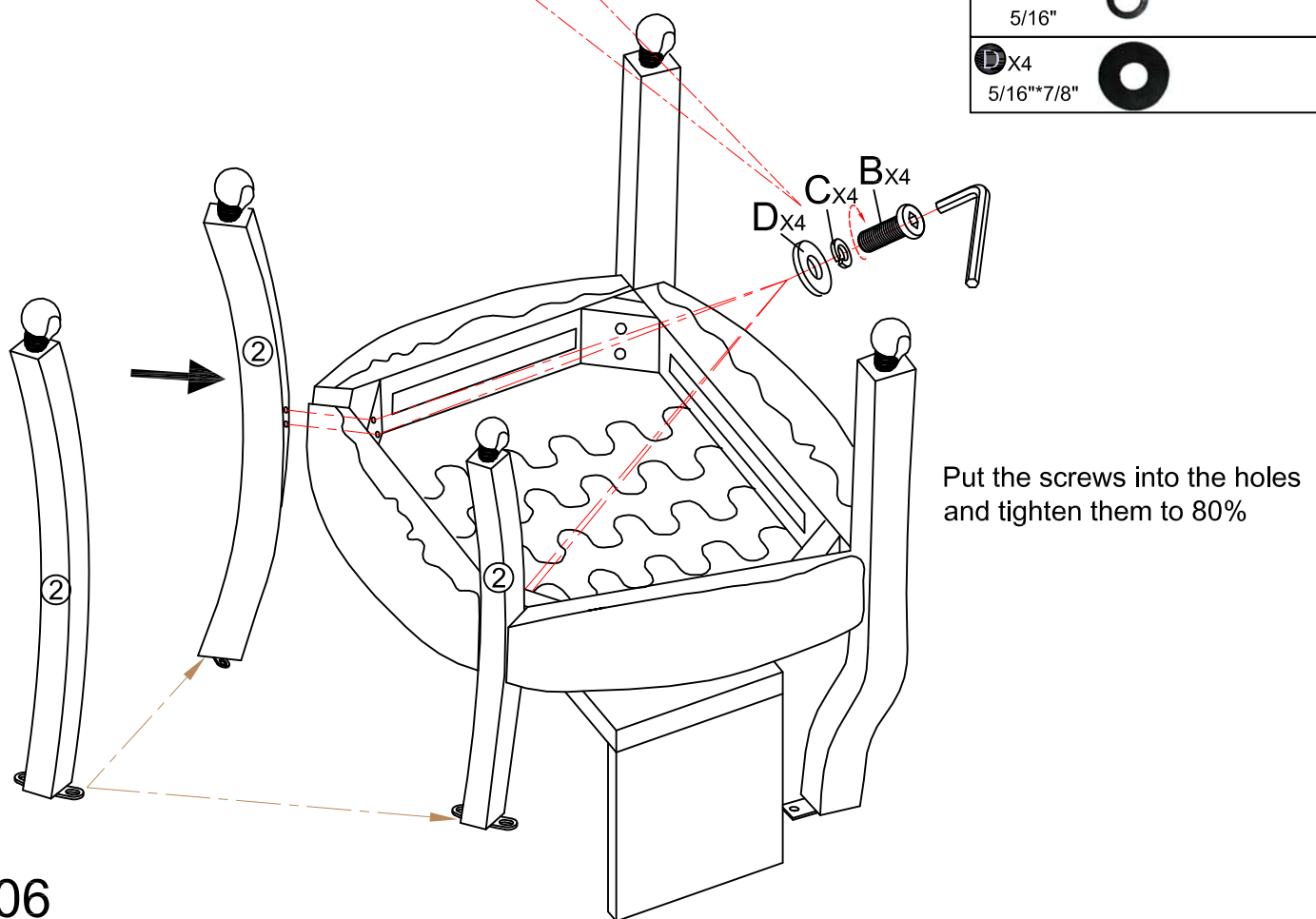
STEP/SCHRITT 3

A X2 5/16"*3-3/4"	
C X2 5/16"	
D X2 5/16"*7/8"	









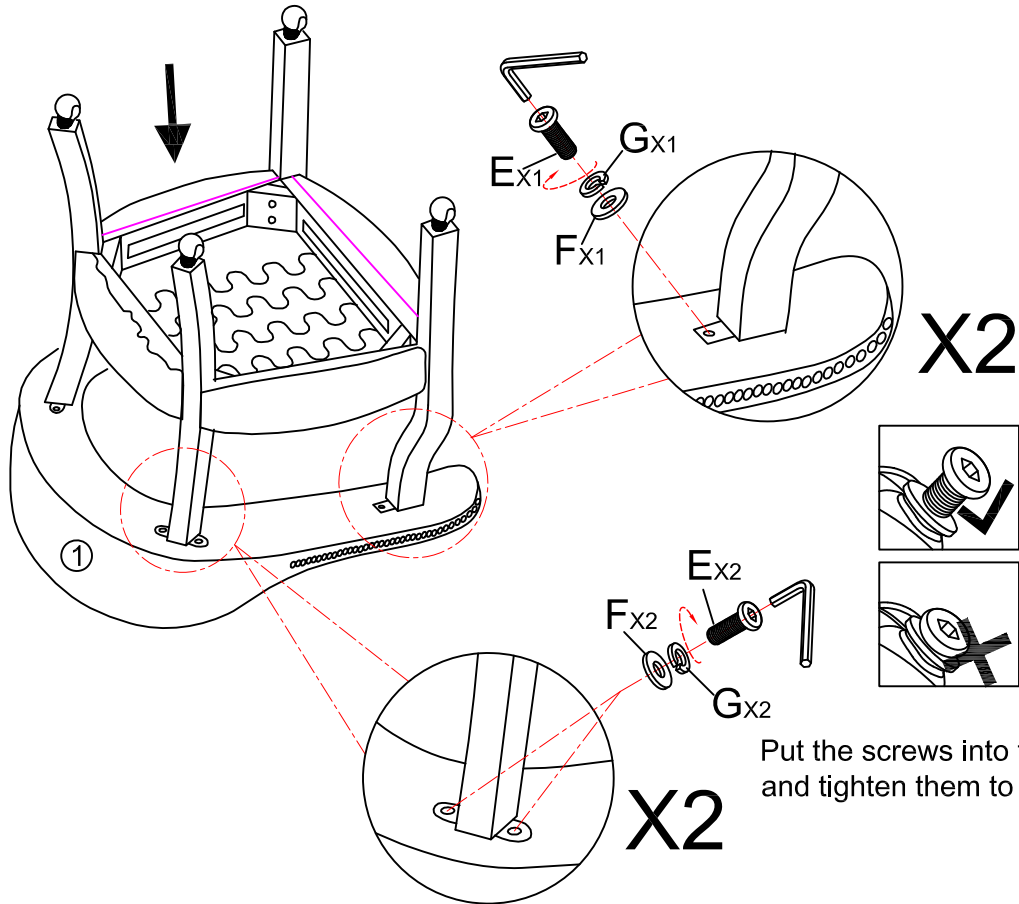
STEP/SCHRITT 4

B X4 5/16"*2"	
C X4 5/16"	
D X4 5/16"*7/8"	

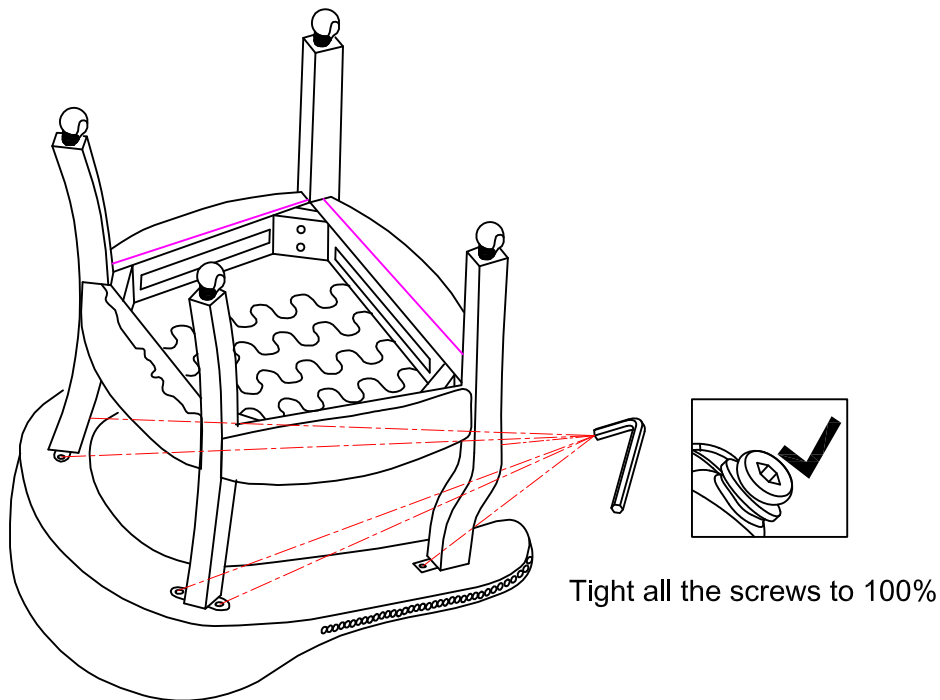


STEP/SCHRITT 5

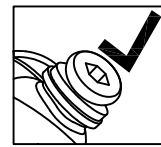
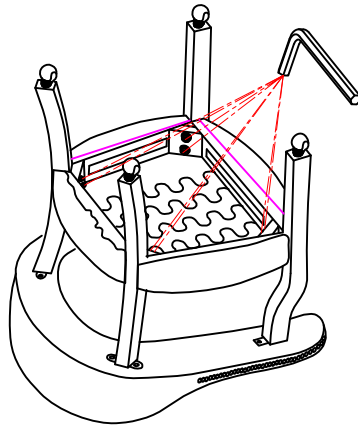
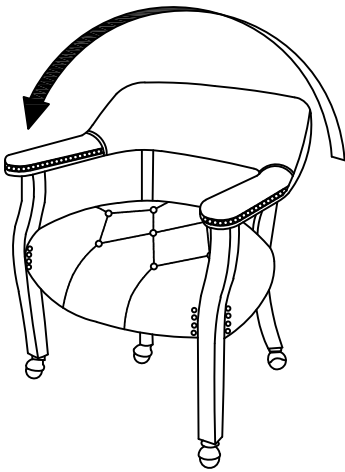
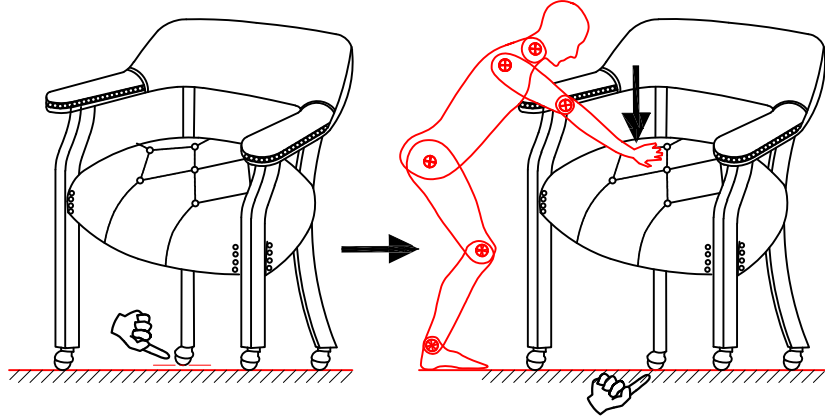
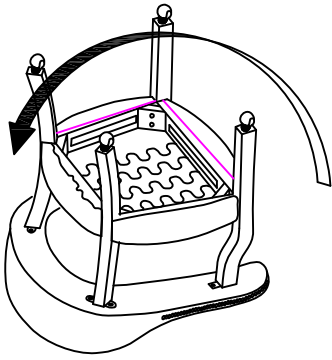
	
	
	



STEP/SCHRITT 6



STEP/SCHRITT 7



Level the legs to balance, and then tighten all the screws to 100%

STEP/SCHRITT 8

If the chairs are wobbly after assembly, please check the following instructions.

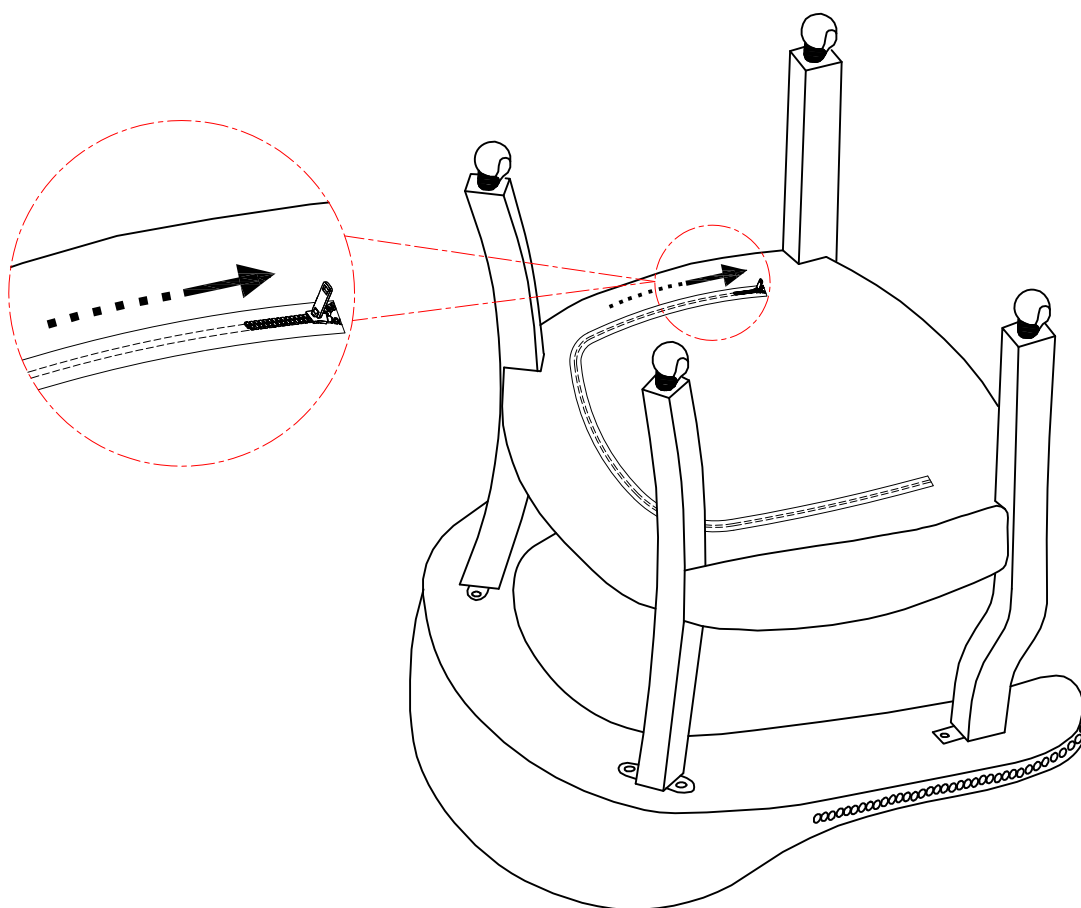


First install the screws loosely in each leg



Please screw the legs tightly when you adjust the legs until they got level on ground

STEP/SCHRITT 9



STEP/SCHRITT 10

