










Thank you for purchasing this quality product. Be sure to check all packing material carefully for small parts, which may have come loose inside the carton during shipment. Identify and count all part and compare with the Hardware List below.

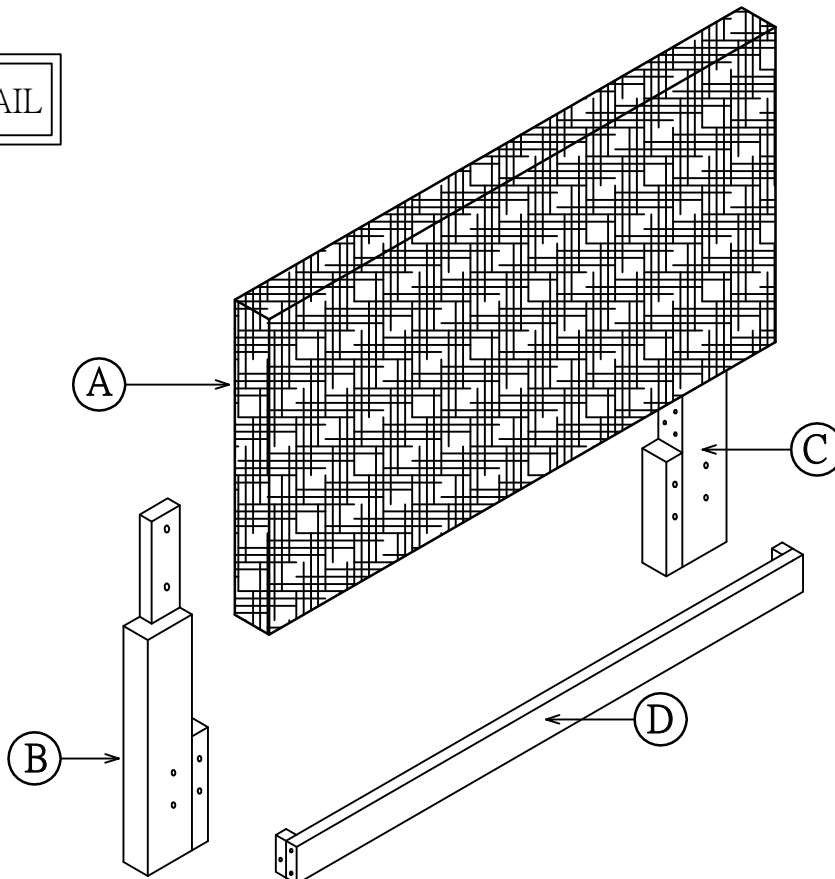
Headboard	No.	Description			Qty
	A	Headboard Panel			1 pc
	B	Left Headboard Leg			1 pc
	C	Right Headboard Leg			1 pc
	D	Stretcher			1 pc

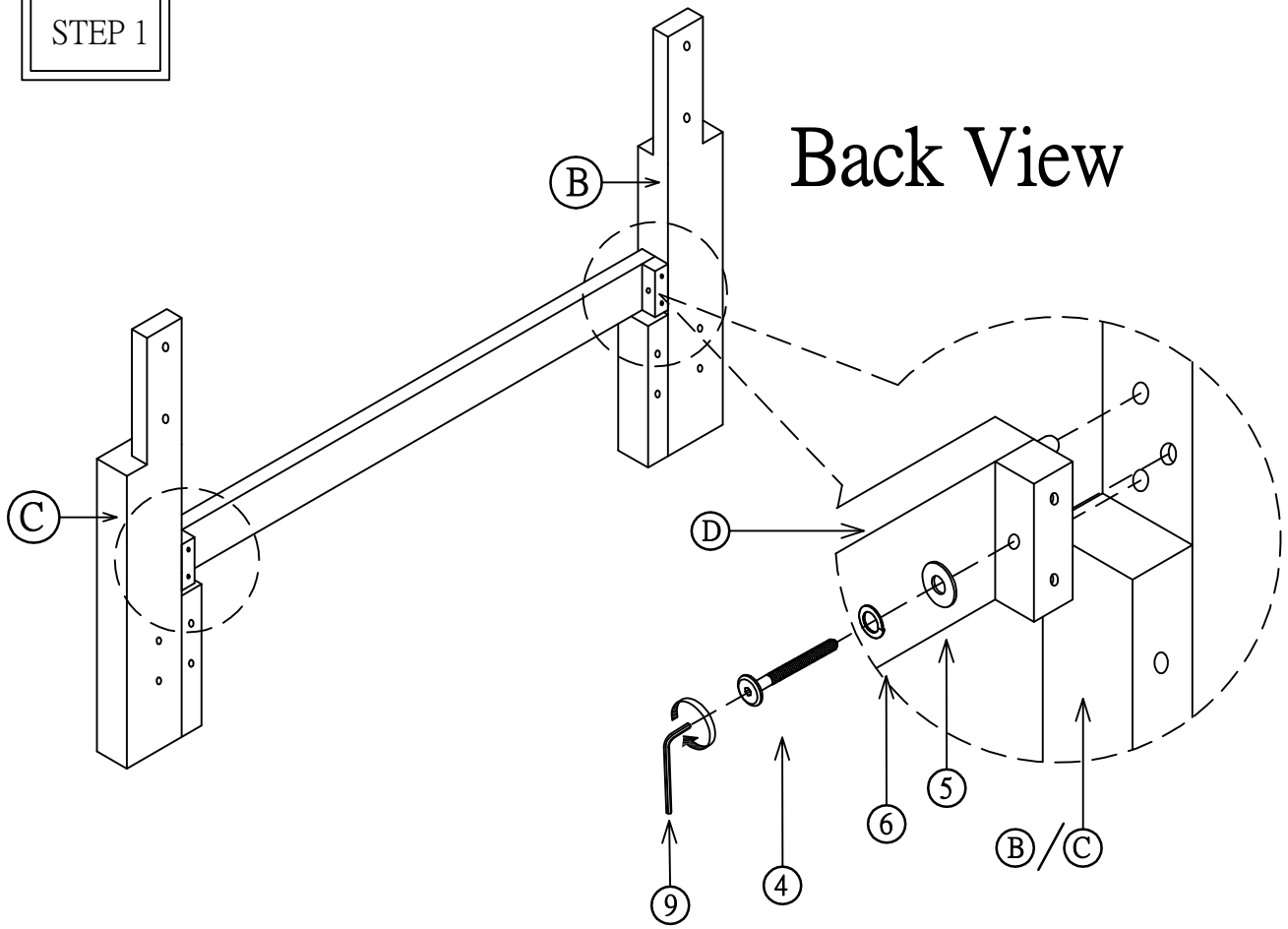
Hardware List	No.	Picture	Description	Dimension	Qty
	1		Bolt	M8 x 55 mm	4 pcs
	2		Thick Flat Washer	Ø18xØ8x2 mm	4 pcs
	3		Lock Washer	Ø13xØ8x1 mm	4 pcs
	4		Bolt	M6 x 40 mm	2 pcs
	5		Thick Flat Washer	Ø18xØ6x2 mm	6 pcs
	6		Lock Washer	Ø13xØ6x1 mm	6 pcs
	7		Bolt	M6 x 45 mm	4 pcs
	8		Sleeve Nut	M6	4 pcs
	9		Allen Wrench	M4	2 pcs

Note :

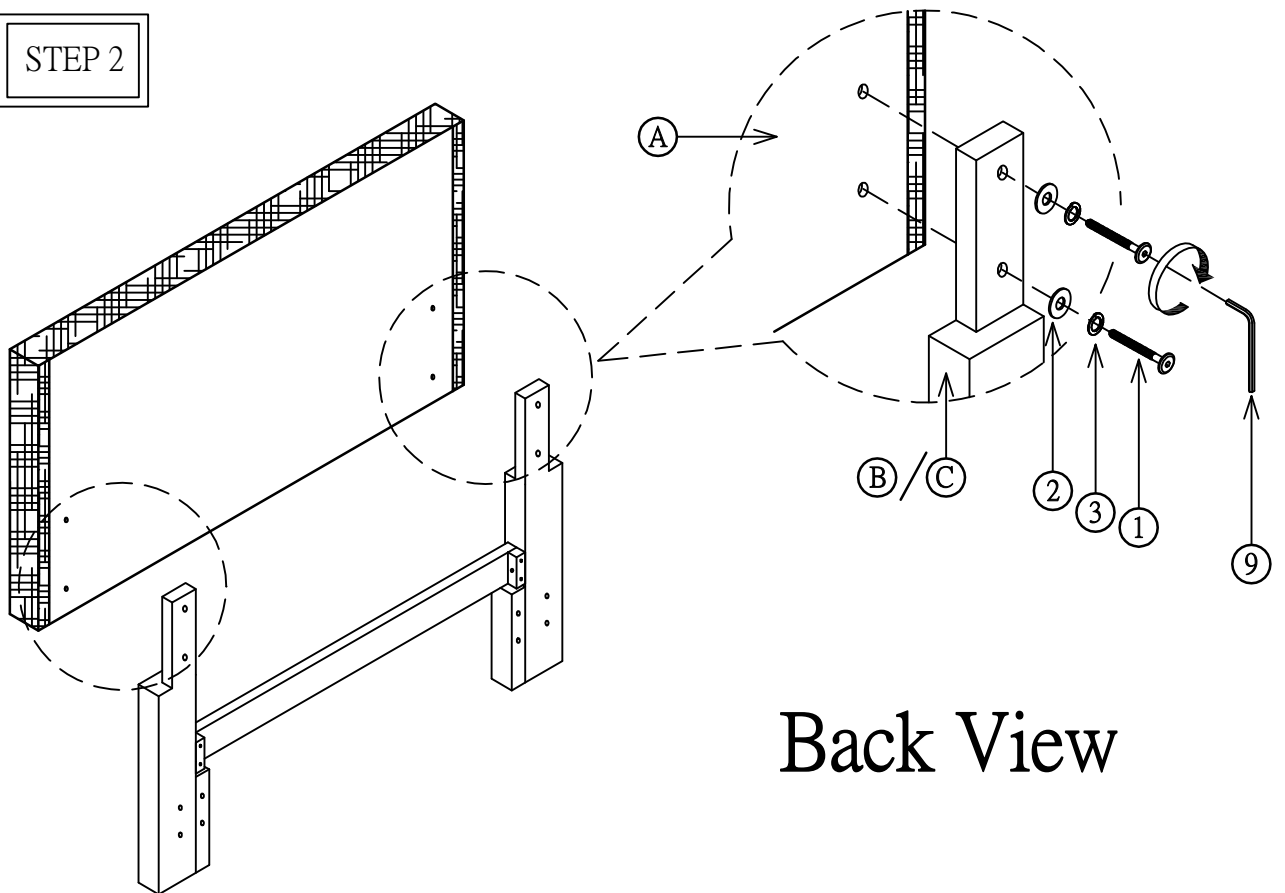
PART DETAIL



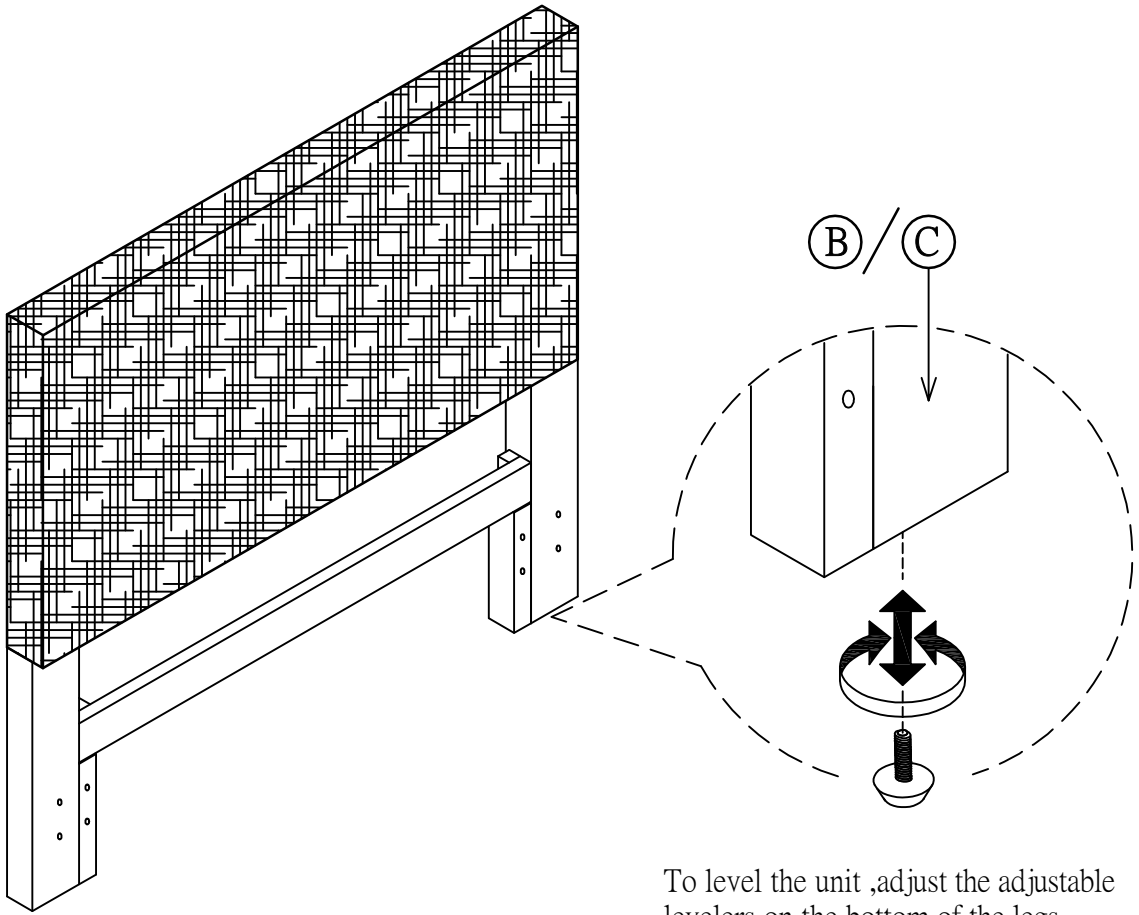
STEP 1



STEP 2



STEP 3



To level the unit ,adjust the adjustable levelers on the bottom of the legs.

STEP 4

