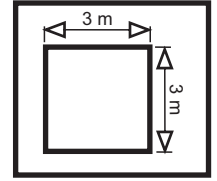
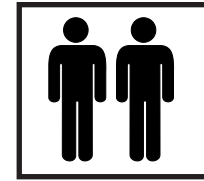
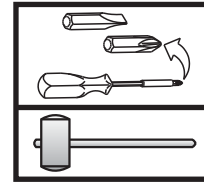
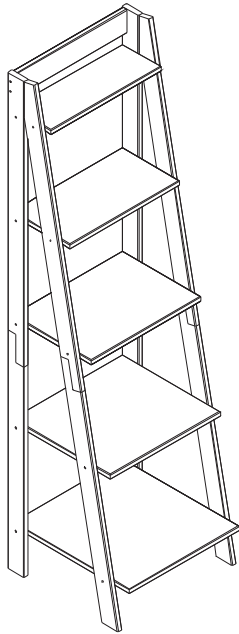
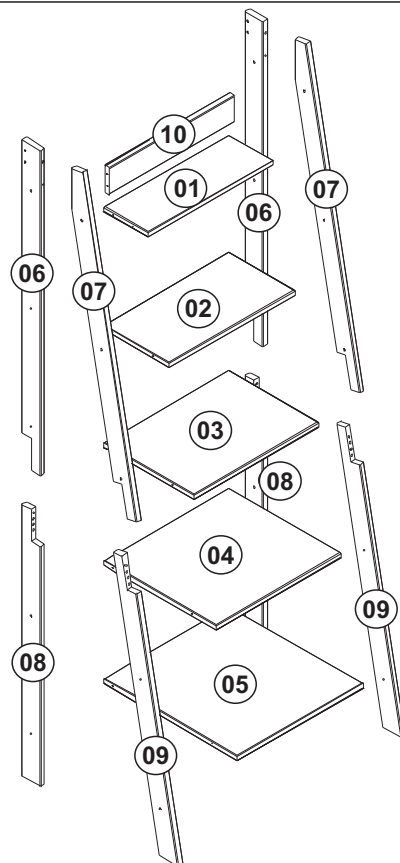


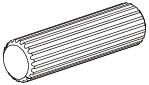
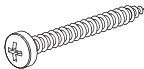
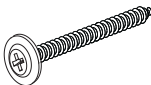





CORONA LADDER BOOKCASE



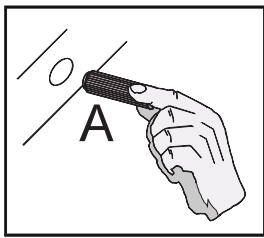
- Please check that all fittings are correct before assembling the item.
- Replacement parts can be supplied for any damages to the item.
- Please keep all packaging until the item is assembled as we will require information from this if replacement parts are required.
- If you have any questions regarding the assembly of your item



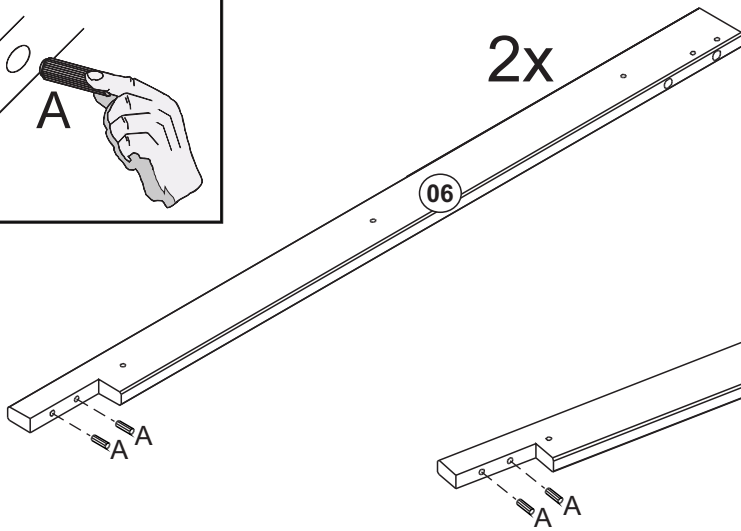
Width = 43,8cm
 Depth = 43,5cm
 Height = 158,9cm

A=08x  6x30mm	B=08x  4,0x35mm	C=24x  4,0x40mm	D=04x  4,0x45mm
E=01x  3,5x30mm	F=01x  3,5x14mm	G=02x 	H=01x 

1

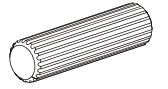


2x



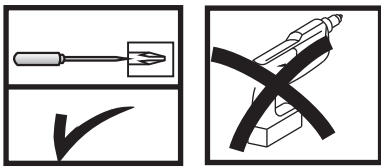
2x

A=08x



6x30mm

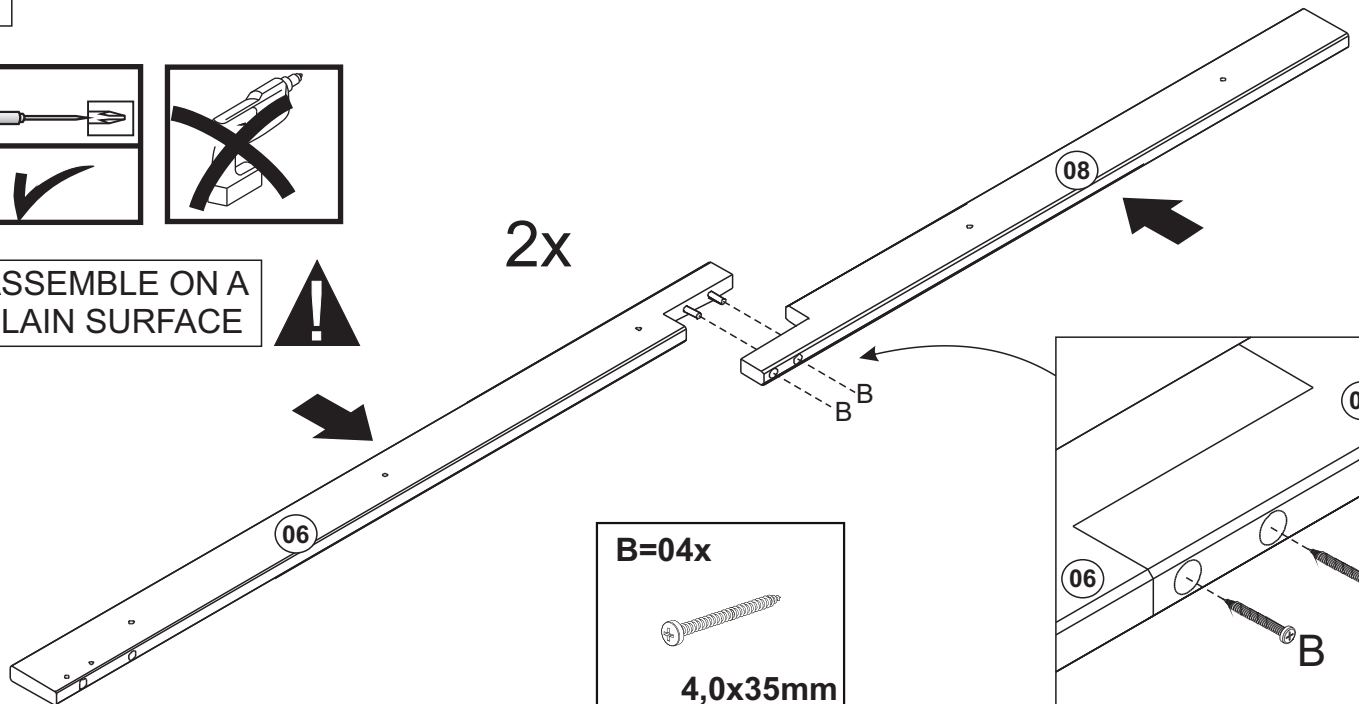
2



ASSEMBLE ON A PLAIN SURFACE



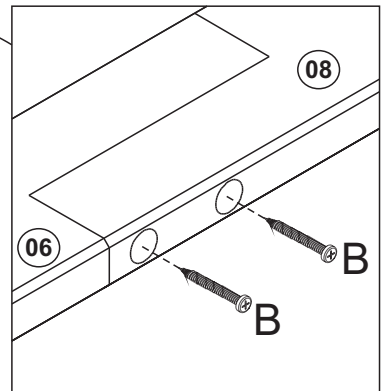
2x



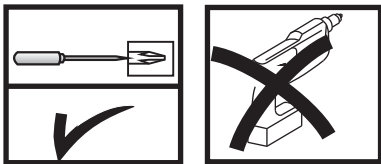
B=04x



4,0x35mm



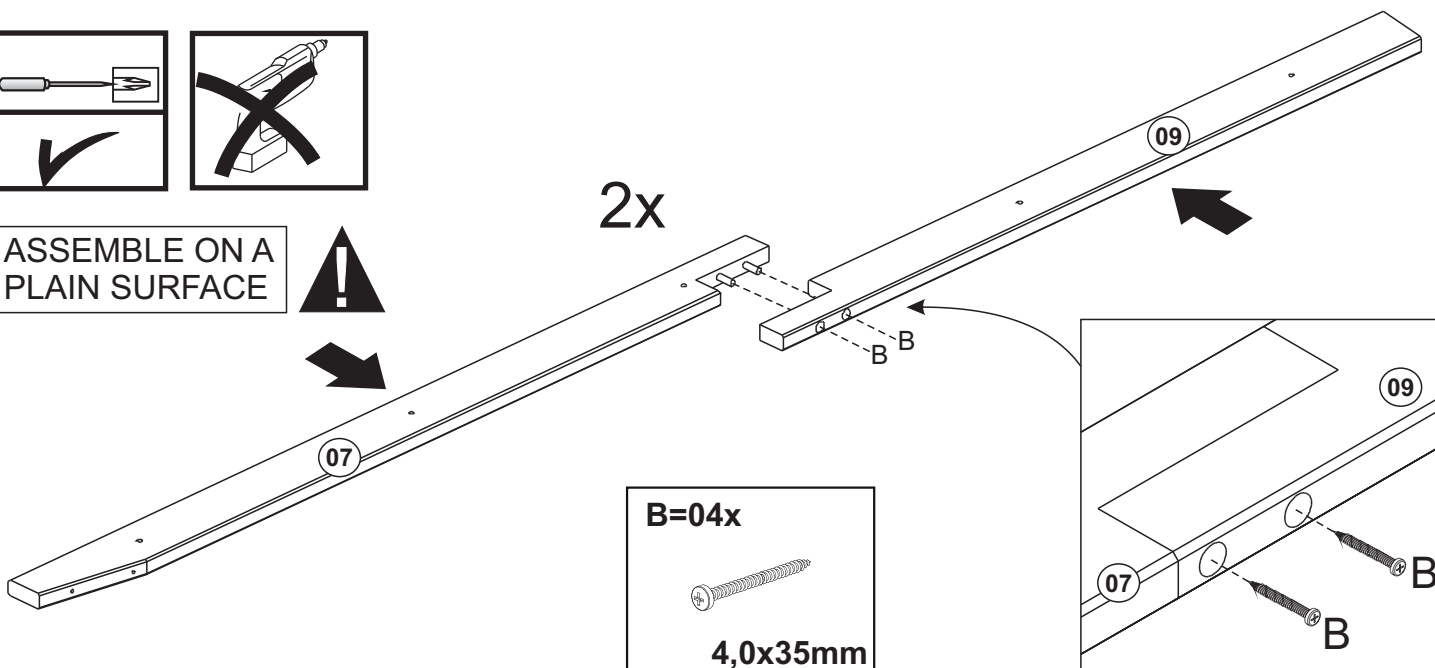
3



ASSEMBLE ON A PLAIN SURFACE



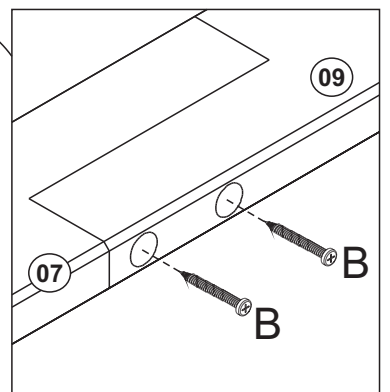
2x



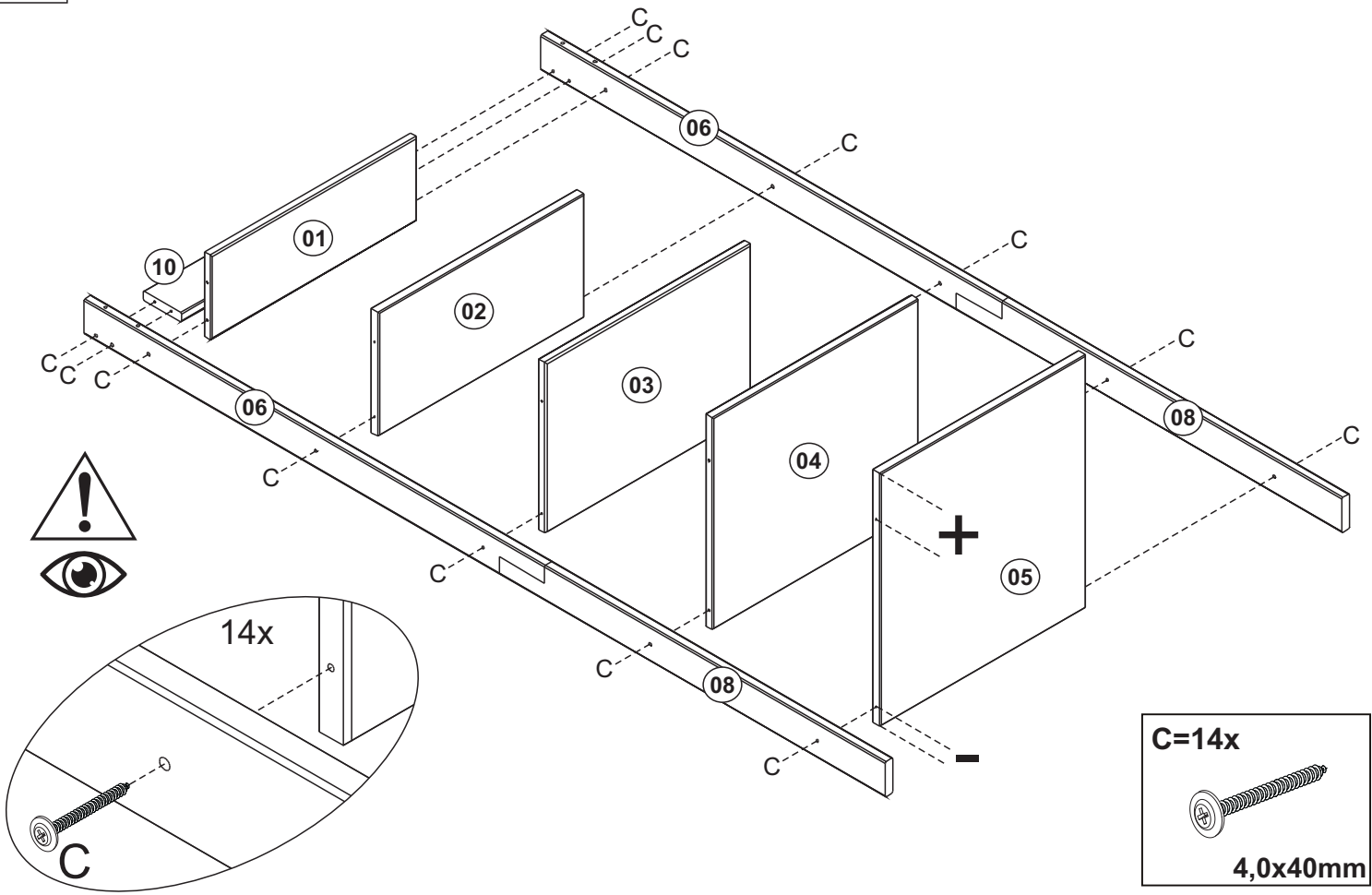
B=04x



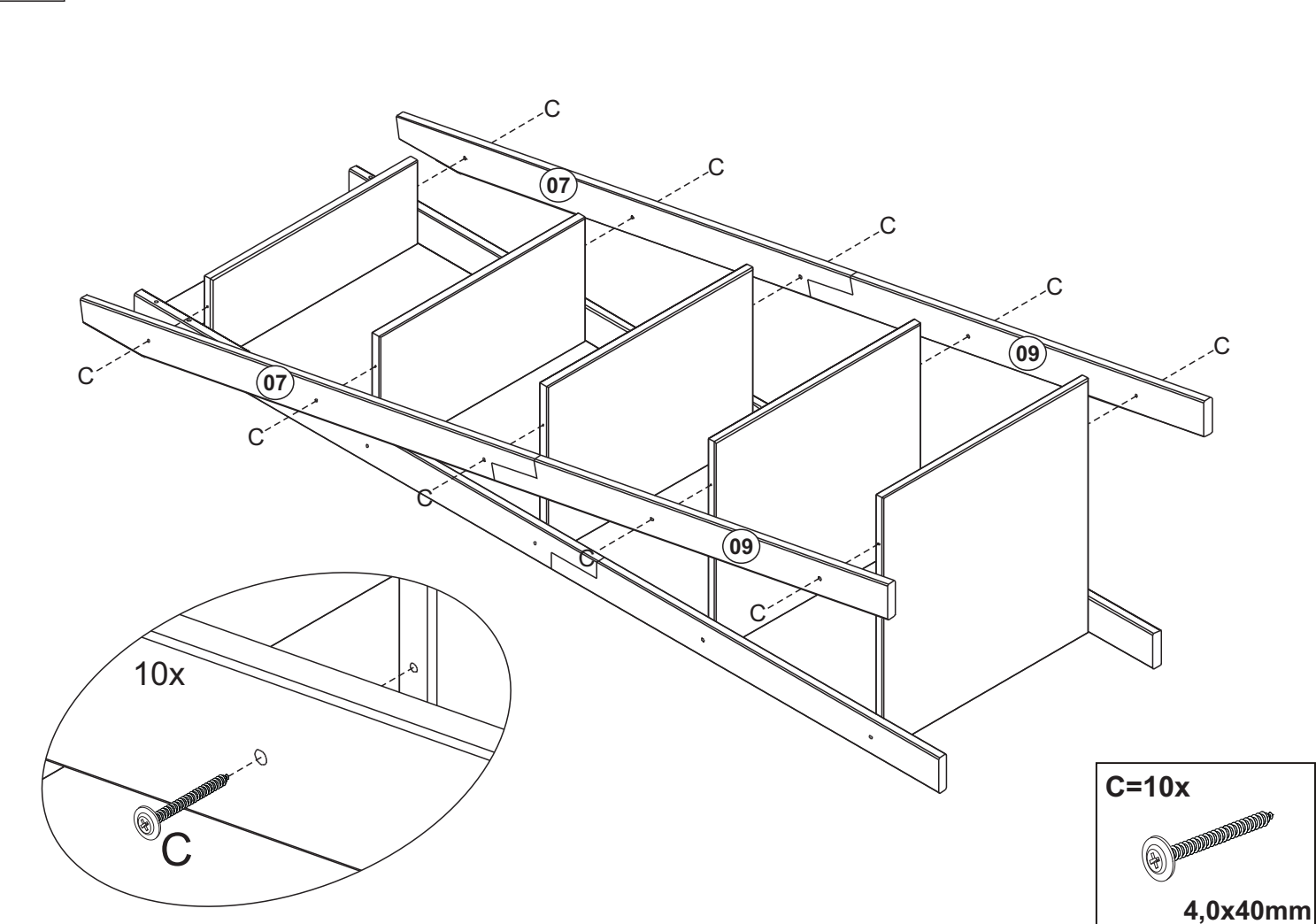
4,0x35mm



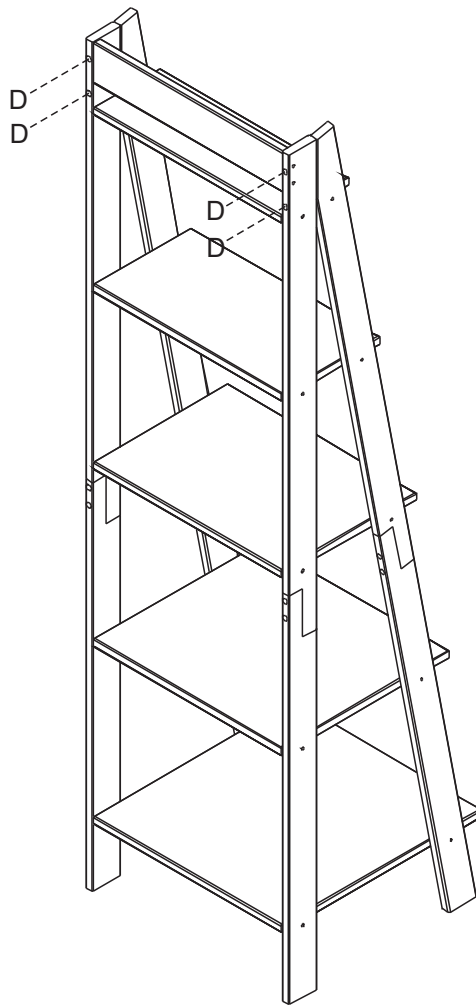
4



5



6

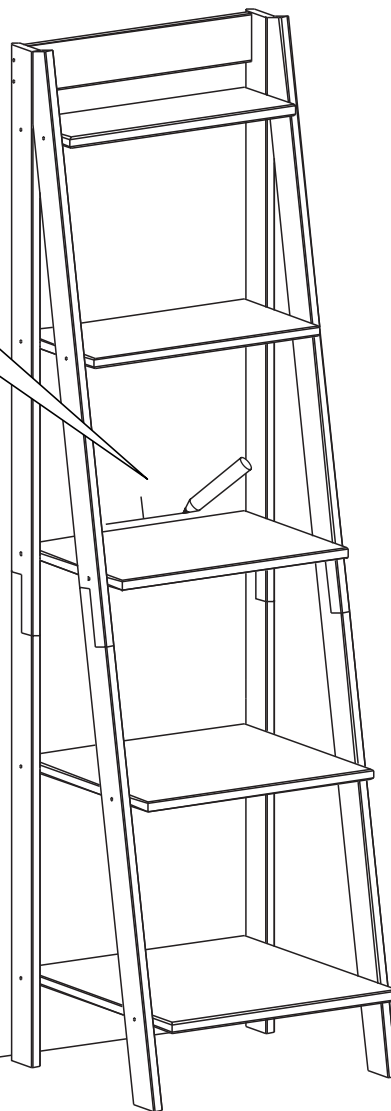
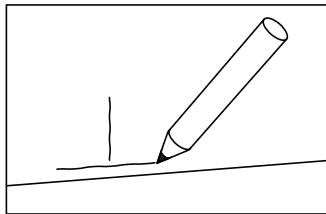


D=04x



4,0x45mm

7



H=01x



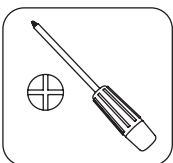
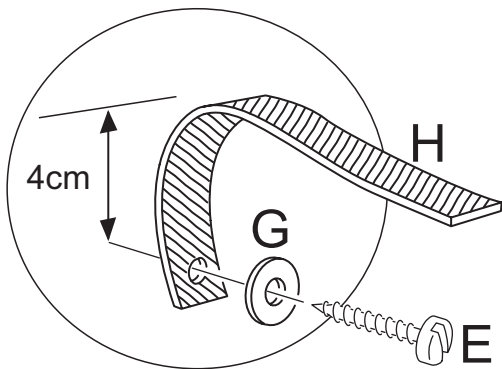
G=01x



E=01x

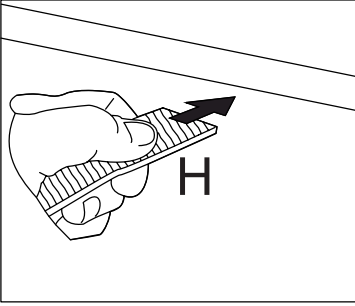


3,5x30mm

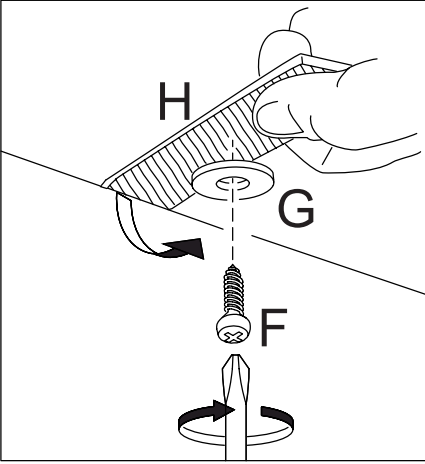


8

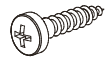
a:



b:

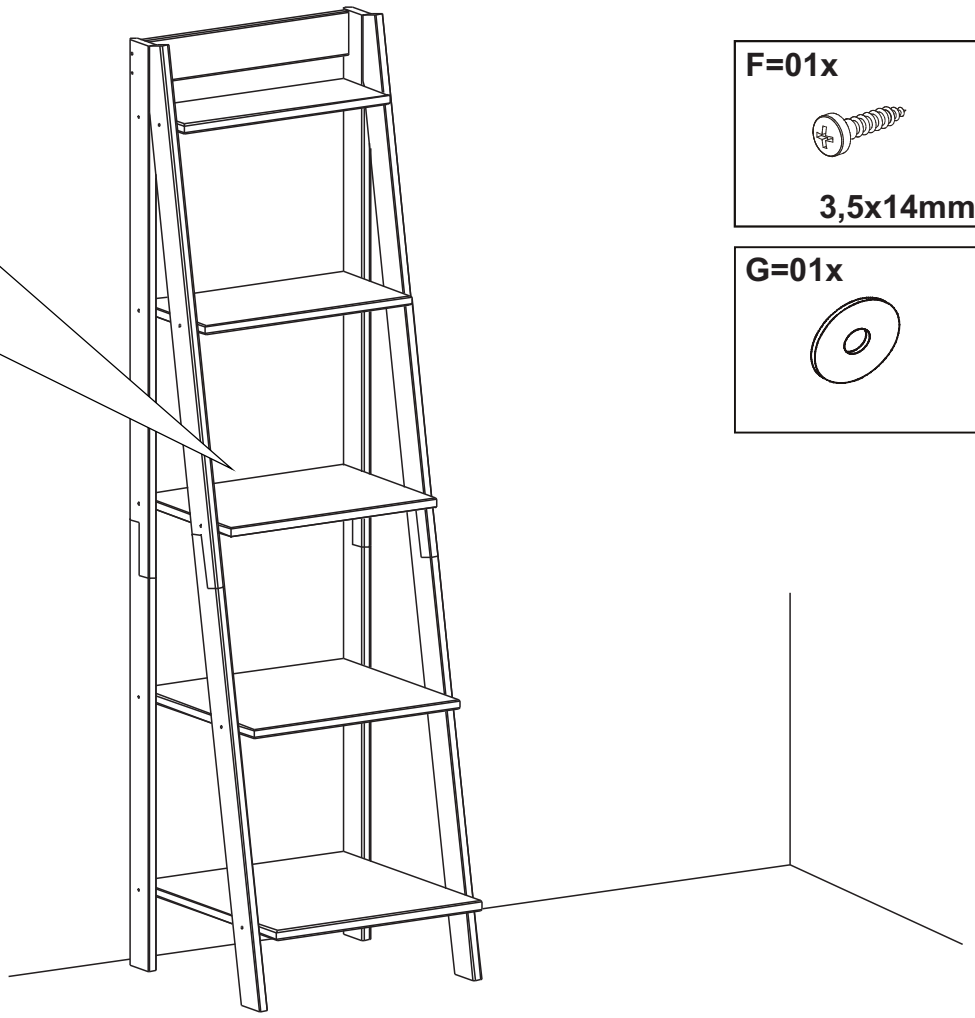


F=01x



3,5x14mm

G=01x



9

