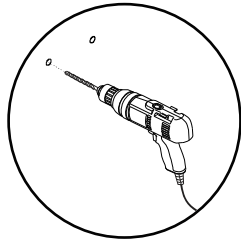
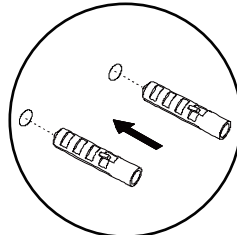


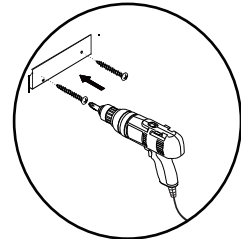
A



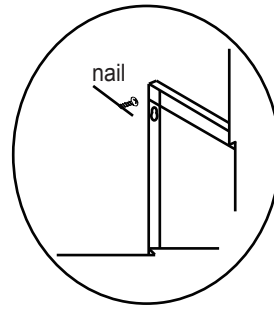
B



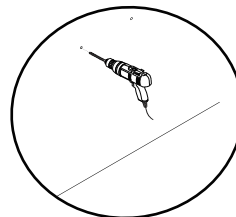
C



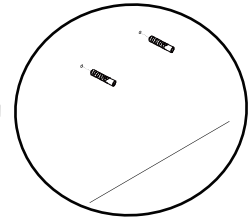
D



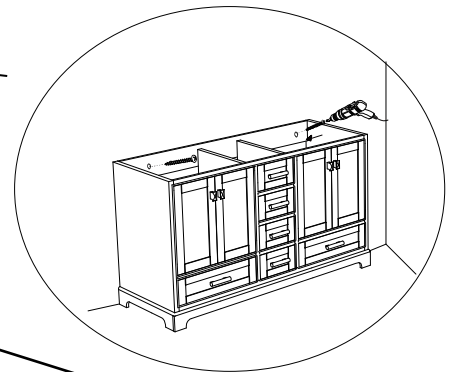
E



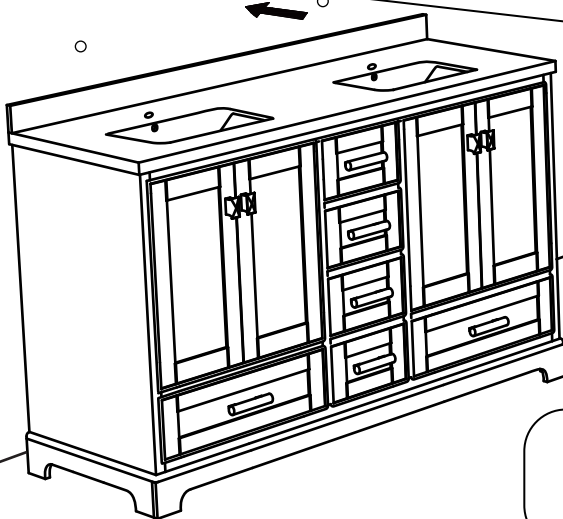
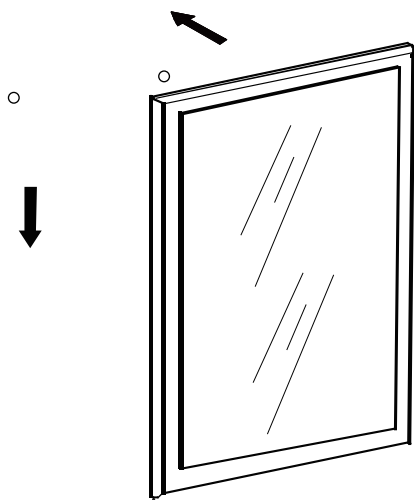
F



G\*



H



Adjustable leg leveler.  
Adjust for level.

REQUIRED TOOLS:

#2  
1/8" Drill bit (SCREWS NOT INCLUDED)

\*SECURE SCREW TO STUDS WHEN POSSIBLE