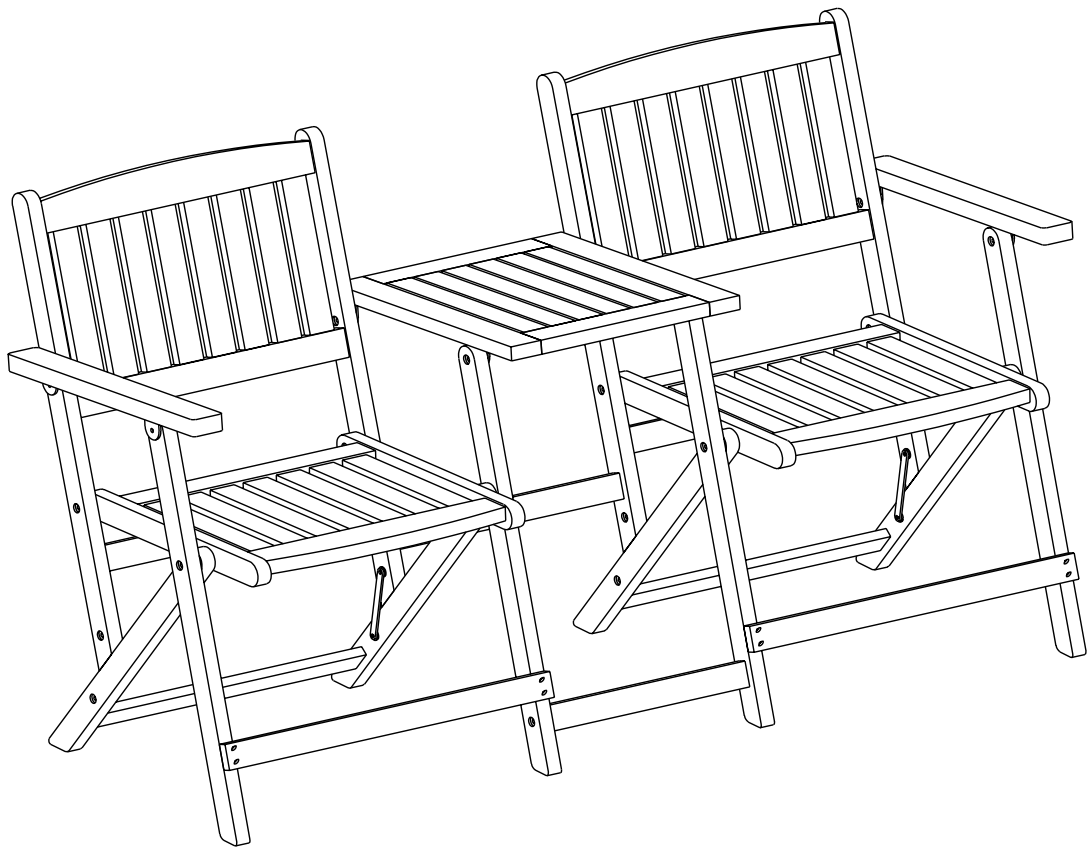


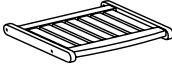
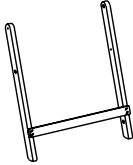
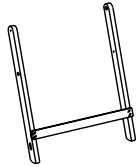
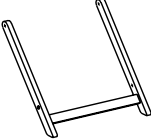
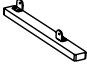
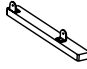


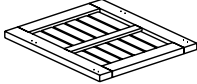












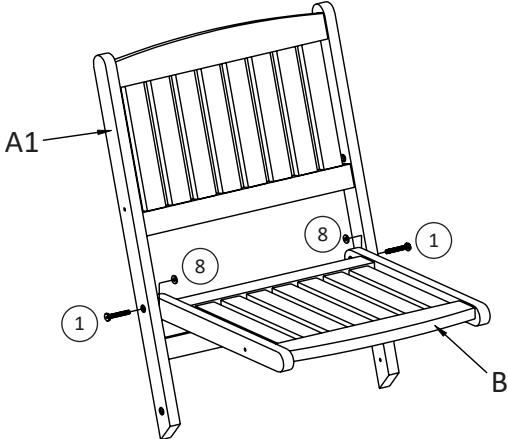
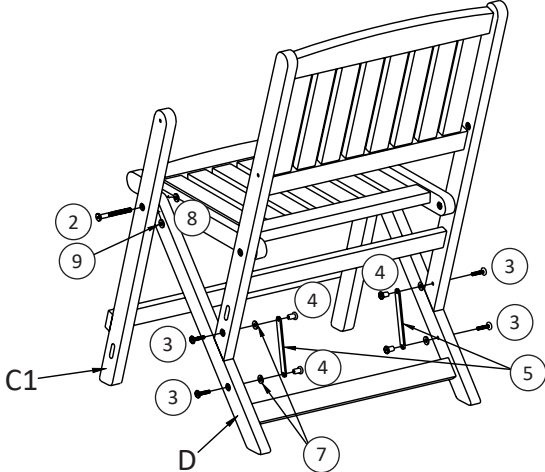


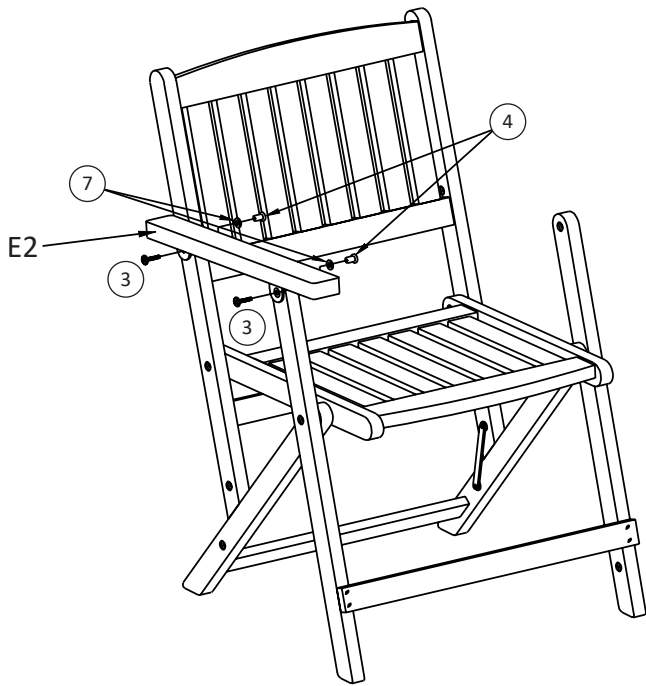
mm
inch

x1

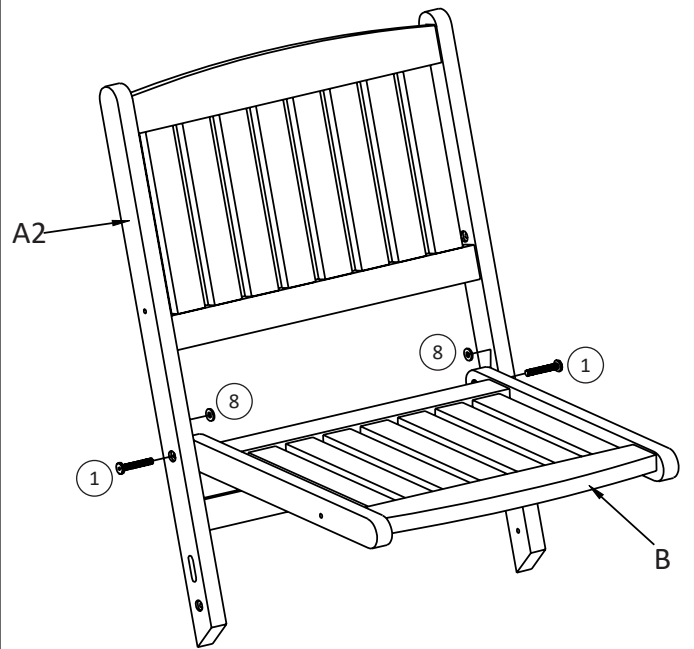


| | | | |
|---|--|--|---|
| <p>A1x1</p>  | <p>A2x1</p>  | <p>Bx2</p>  | <p>C1x1</p>  |
| <p>C2x1</p>  | <p>Dx2</p>  | <p>E1x1</p>  | <p>E2x1</p>  |
| <p>Fx1</p>  | <p>Gx1</p>  | <p>Hx1</p>  | |
| <p>① x4</p>  <p>M8x $\frac{40}{1.6}$</p> | <p>② x4</p>  <p>M8x $\frac{65}{2.6}$</p> | <p>③ x16</p>  <p>M6x $\frac{20}{0.8}$</p> | <p>④ x16</p>  <p>M6x $\frac{13}{0.5}$</p> |
| <p>⑤ x4</p>  | <p>⑥ x4</p>  <p>M7x $\frac{70}{2.8}$</p> | <p>⑦ x16</p>  <p>$\phi 6 / \frac{18 \times 2}{0.7 \times 0.1}$</p> | <p>⑧ x8</p>  <p>$\phi 8 / \frac{18 \times 2}{0.7 \times 0.1}$</p> |
| <p>⑨ x4</p>  <p>$\phi 8 / \frac{18 \times 5}{0.7 \times 0.2}$</p> | <p>⑩ x8</p>  <p>M4x $\frac{20}{0.8}$</p> | <p>⑪ x4</p>  | <p>⑫ x2</p>  <p>M4</p> |
| <p>1</p>  | | <p>2</p>  | |

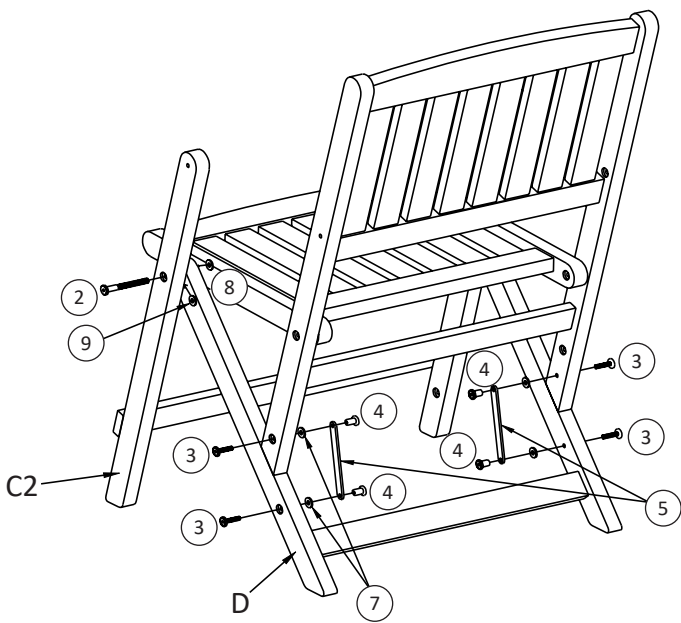
3



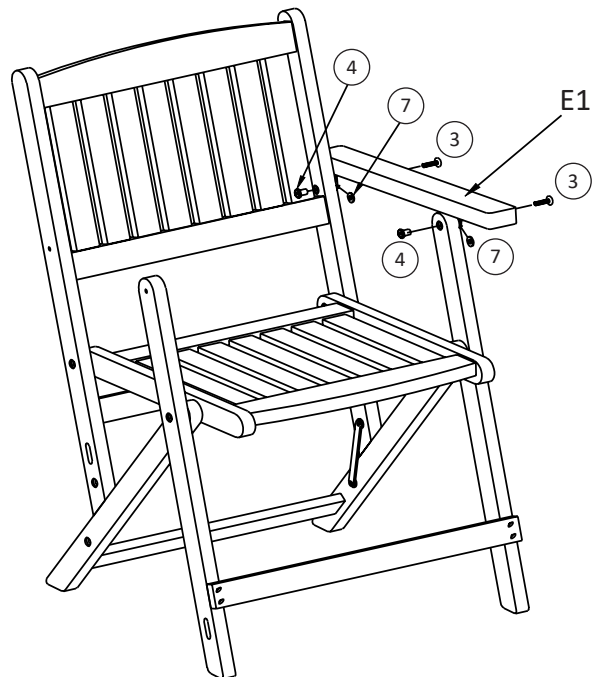
4



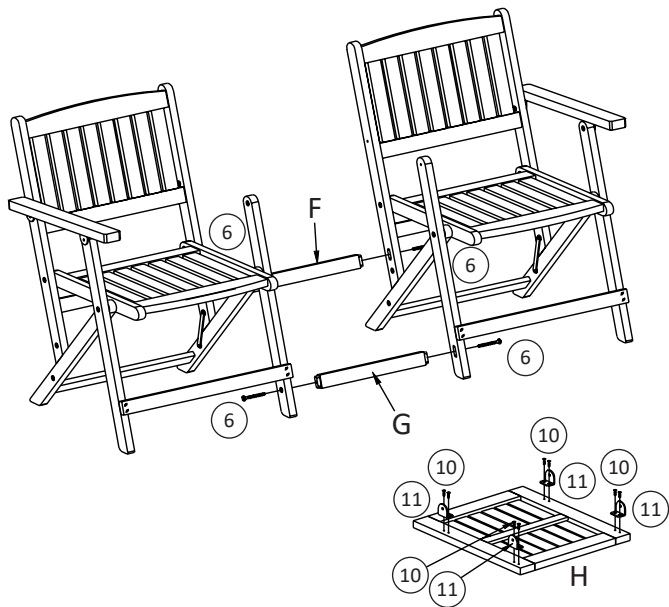
5



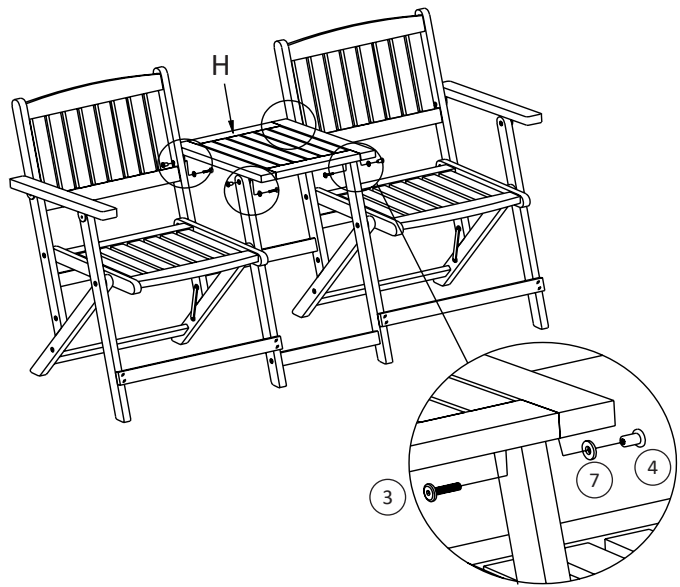
6



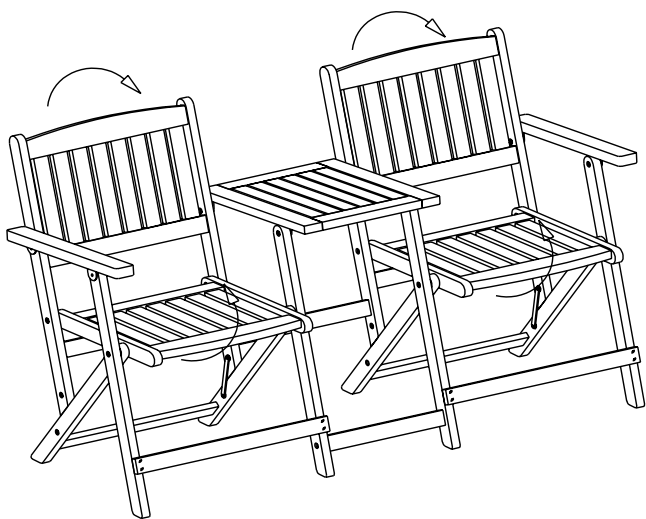
7



8



9



10

