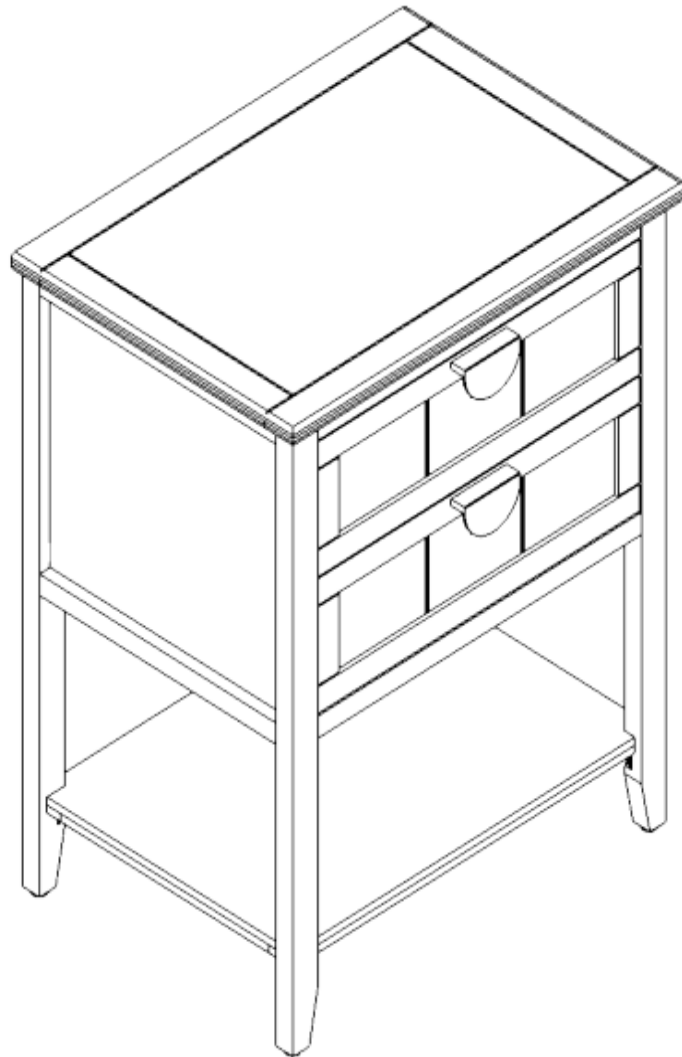


# Installation Instruction



Product Name

---

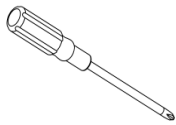
**2 Drawer End Table**

Ver.1.0 20230216

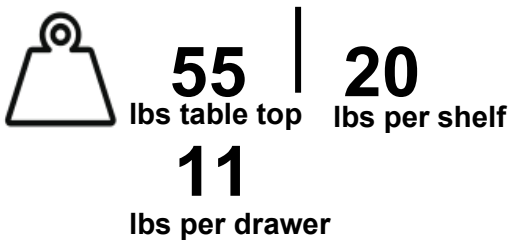
# Assembling

## What you need

- Use the packaging carton as a working surface to prevent product damage during assembly
- Phillips head screwdriver



## Weight Limitation

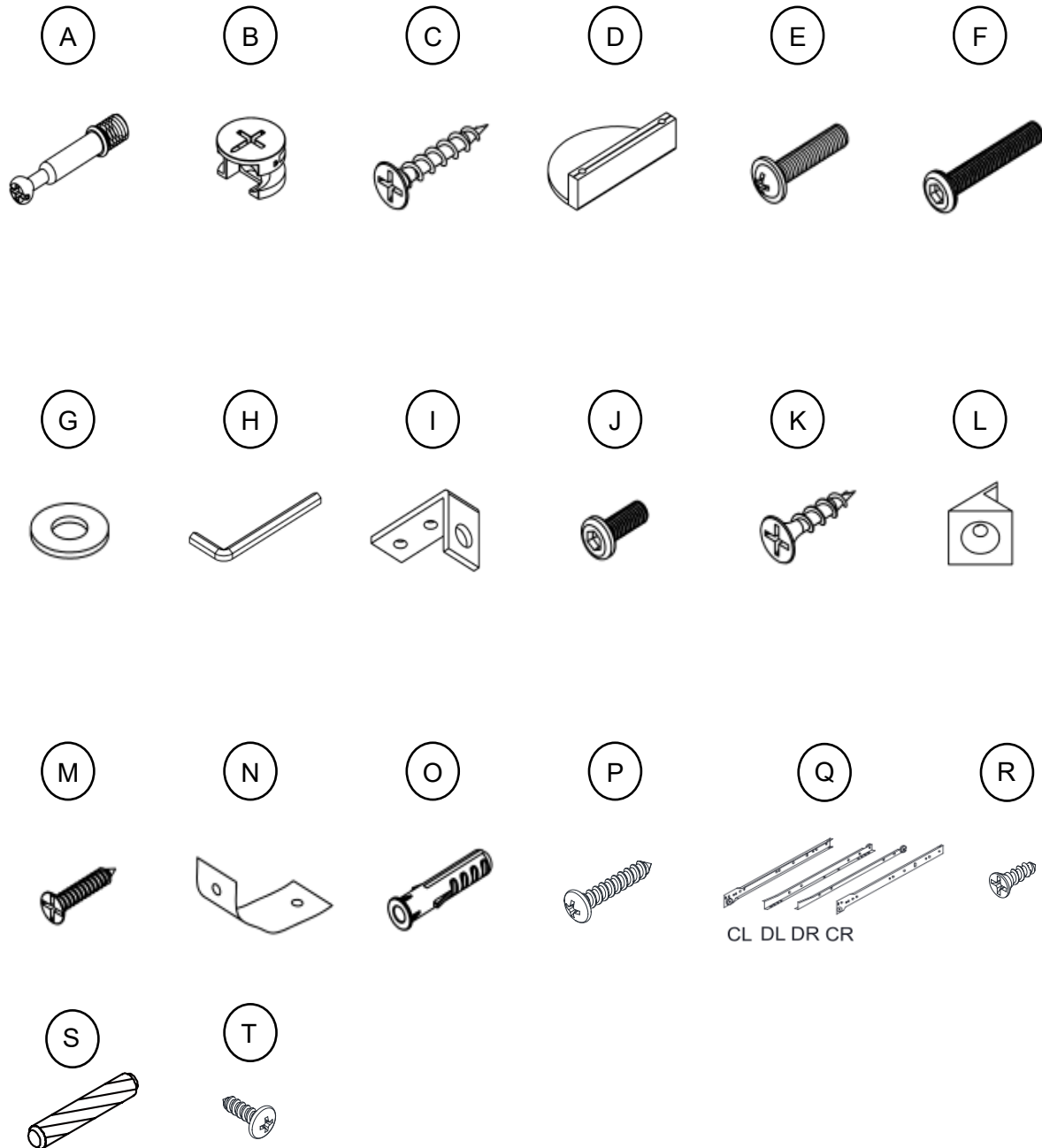


**2 PERSONS**

# What's included

Code	Description	Qty
A	Cam Bolt M5*27mm	8
B	Cam Lock 15*10mm	8
C	Screw $\Phi$ 4x25mm	8
D	Handle	2
E	Bolt M4*18mm	4
F	Bolt M6x35mm	8
G	Metal Washer	8
H	Allen Key	1
I	Metal Plate	4
J	Bolt M6x20mm	4
K	Screw $\Phi$ 4x16mm	8
L	Plastic Corner Support	4
M	Screw $\Phi$ 3x14mm	4
N	Nylon Strap	2
O	Anchor $\Phi$ 6x30mm	2
P	Screw $\Phi$ 4x35mm	2
Q	Slide sets	4
R	Screw $\Phi$ 3x12mm	24
S	Wooden Dowel $\Phi$ 6X30mm	4
T	Screw $\Phi$ 4x14mm	2

# The Hardware



**IMPORTANT:**

1. Do not tighten bolts / screws completely until all bolts / screws are lined up and inserted into holes.
2. Do not over tighten screws and bolts to avoid stripping.
3. Please use hand tools to assemble this product. Do not use power tools.
4. Must need 2 people to assemble this product.



**2 PERSONS**

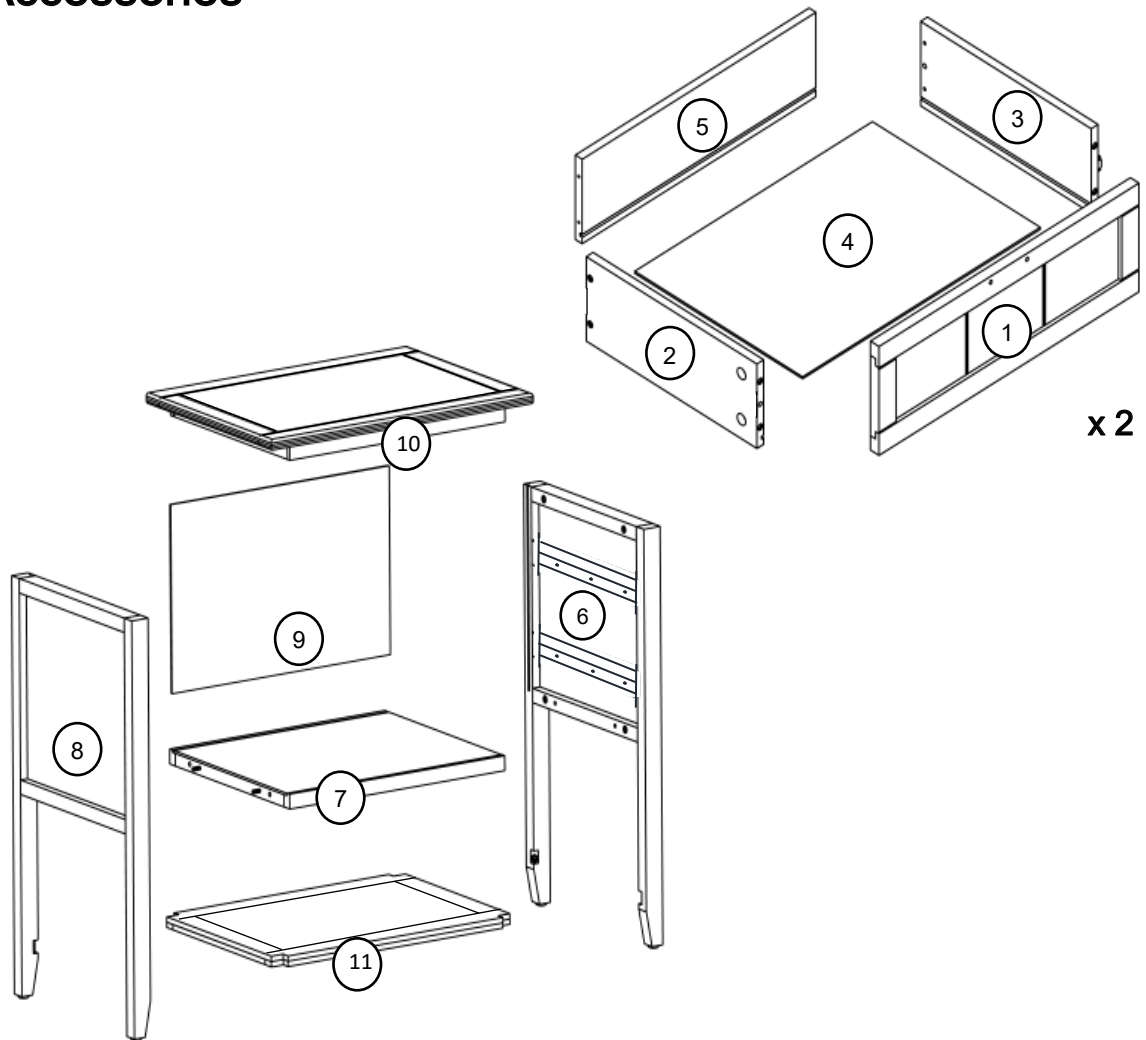
# Included Accessories

---

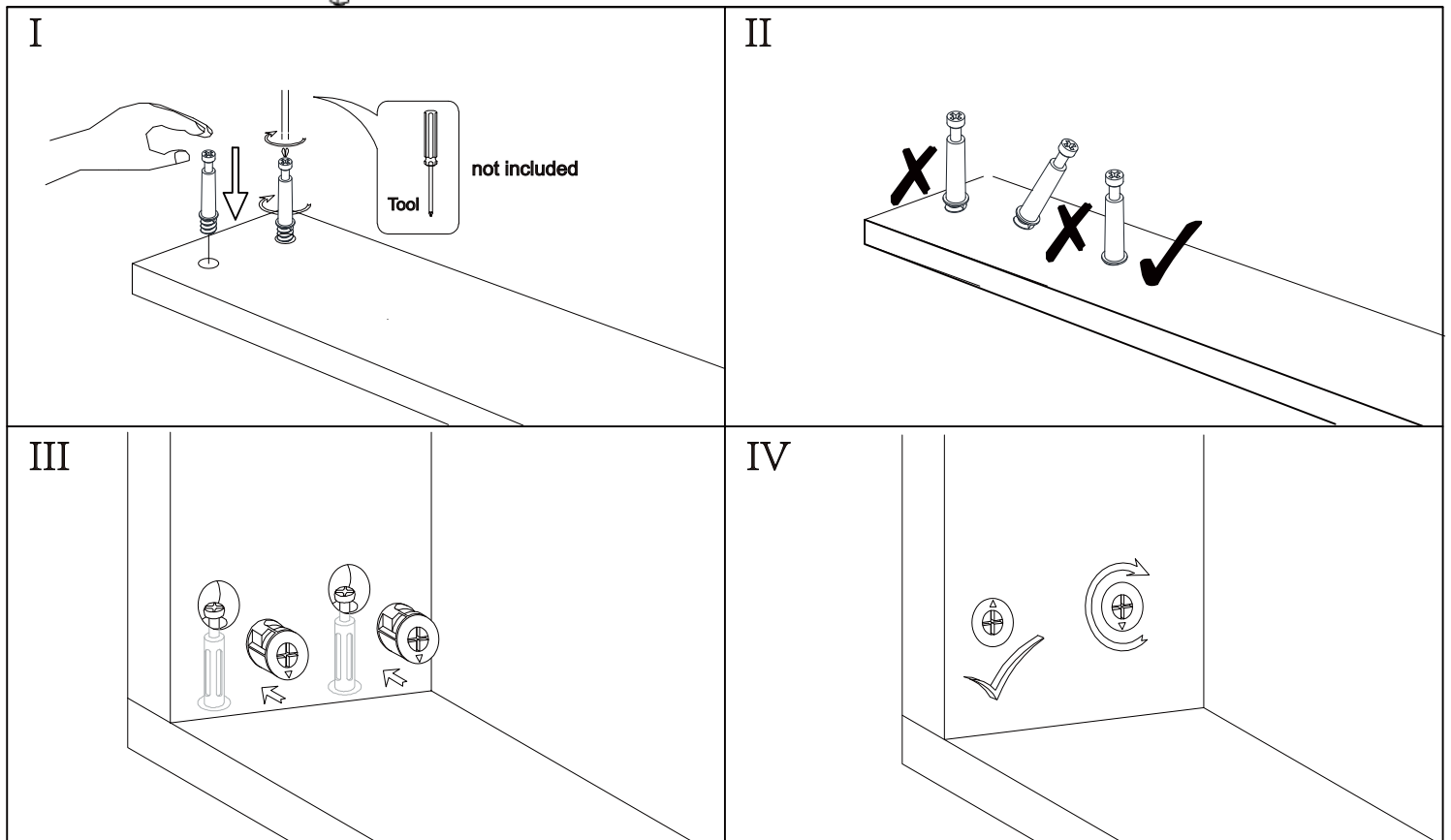
Code	Description	Qty
1	Drawer Front Panel	2
2	Drawer Left Side Panel	2
3	Drawer Right Side Panel	2
4	Drawer Bottom Panel	2
5	Drawer Back Panel	2
6	Right Side Panel	1
7	Bottom Panel	1
8	Left Side Panel	1
9	Back Panel	1
10	Cabinet Top	1
11	Shelf	1

---

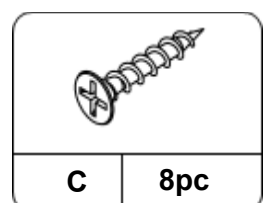
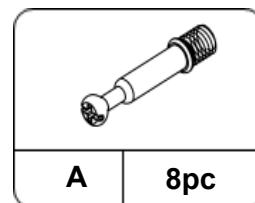
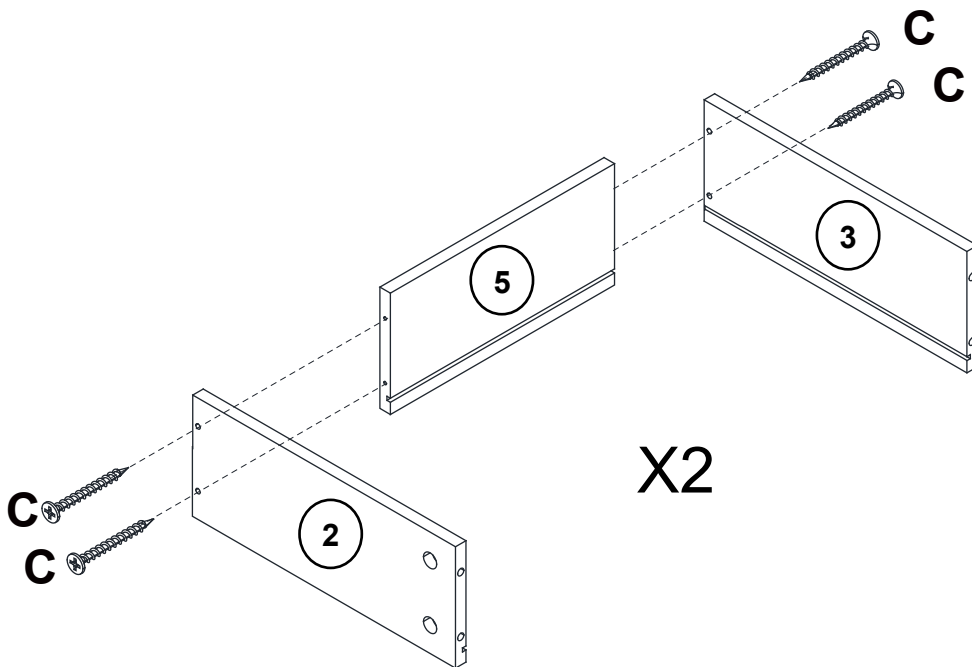
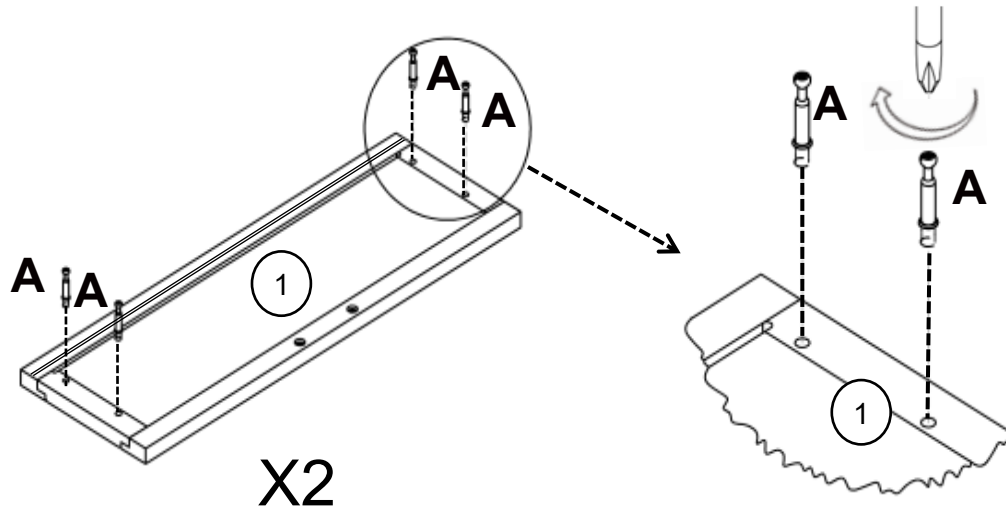
# The Accessories



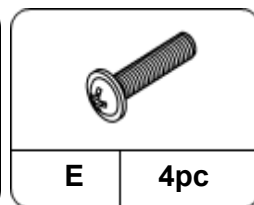
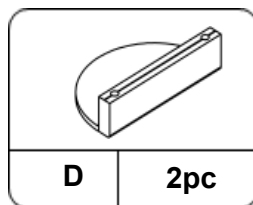
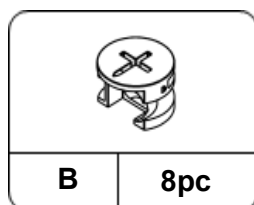
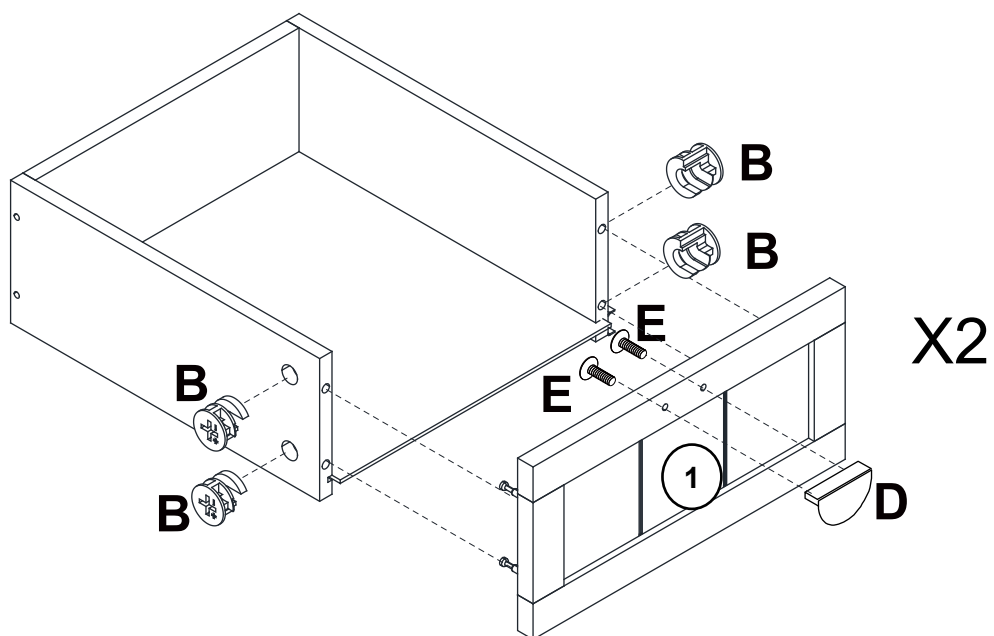
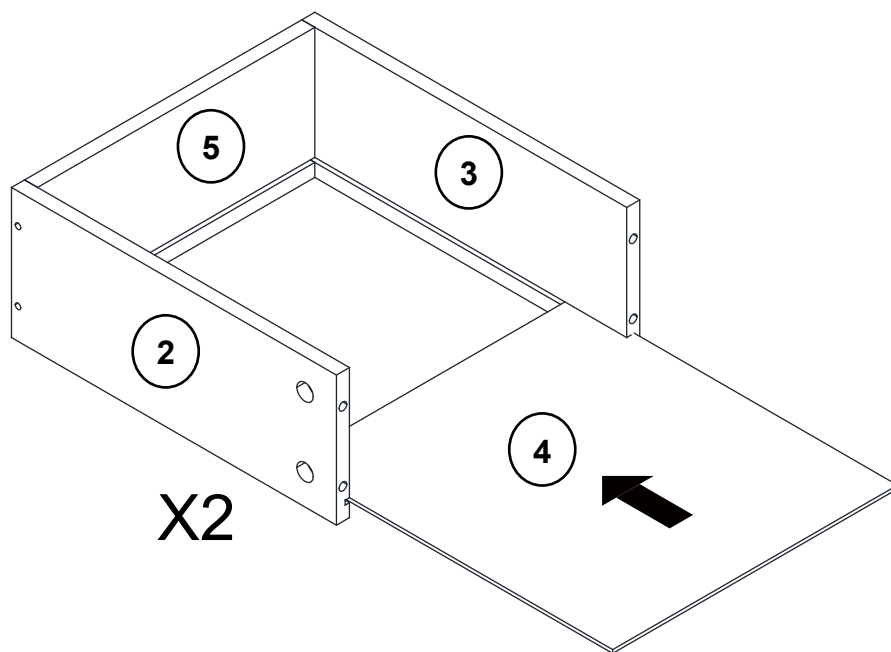
## NOTED:



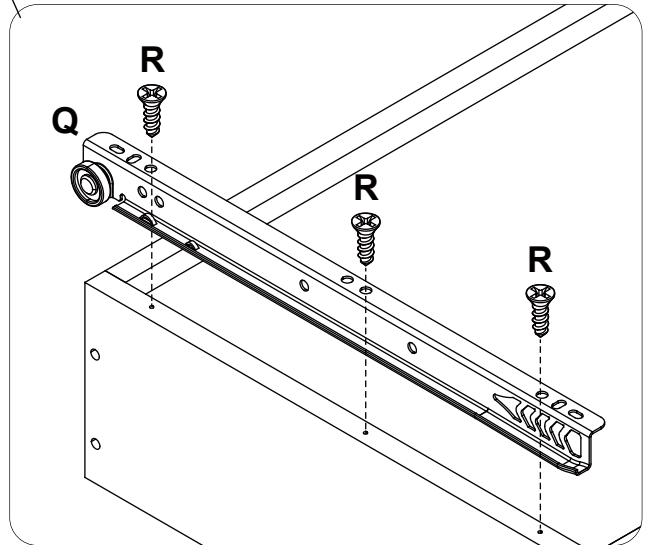
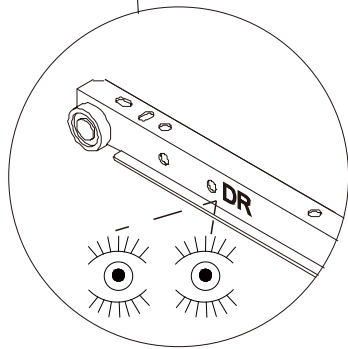
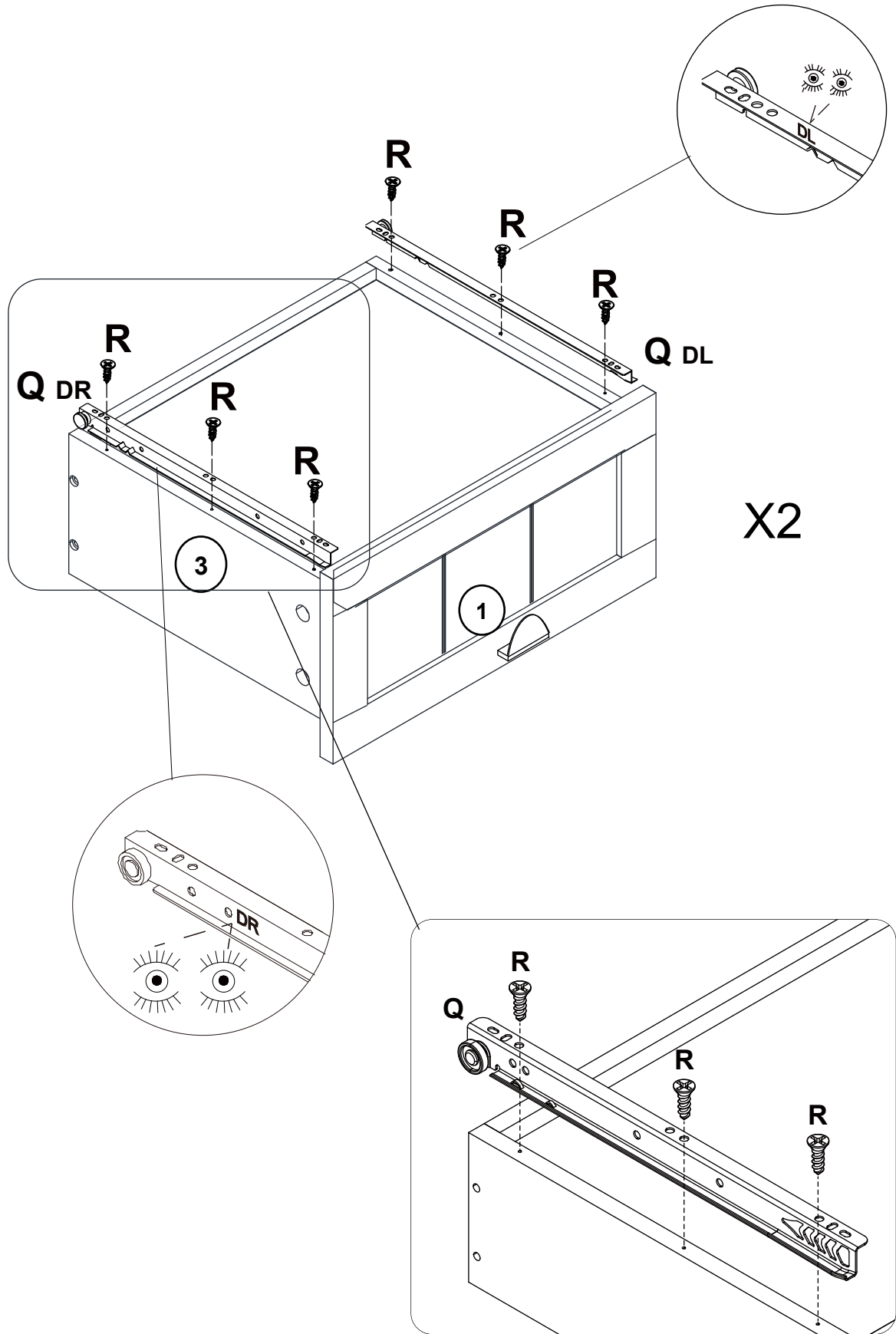
# Step 1



# Step 2



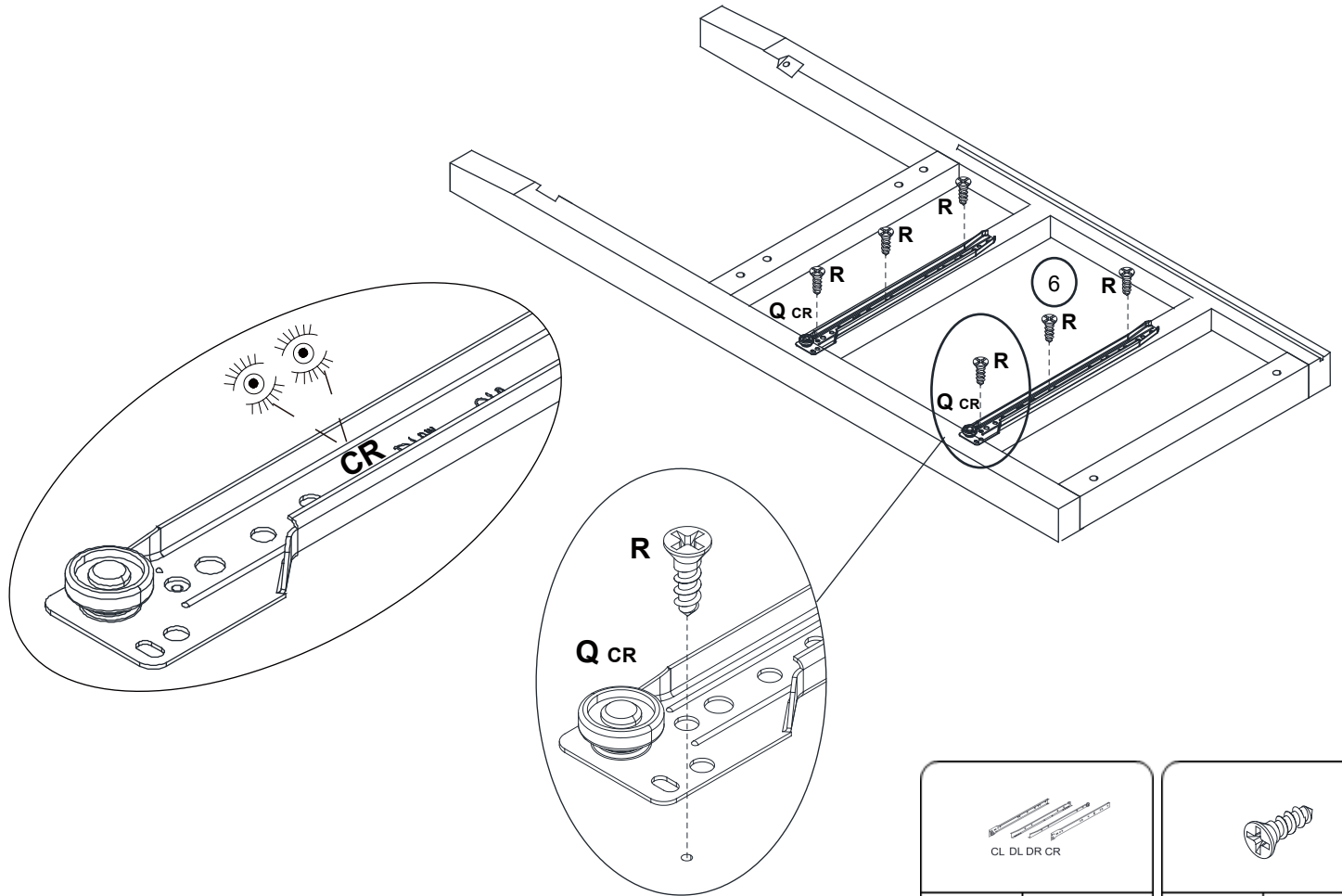
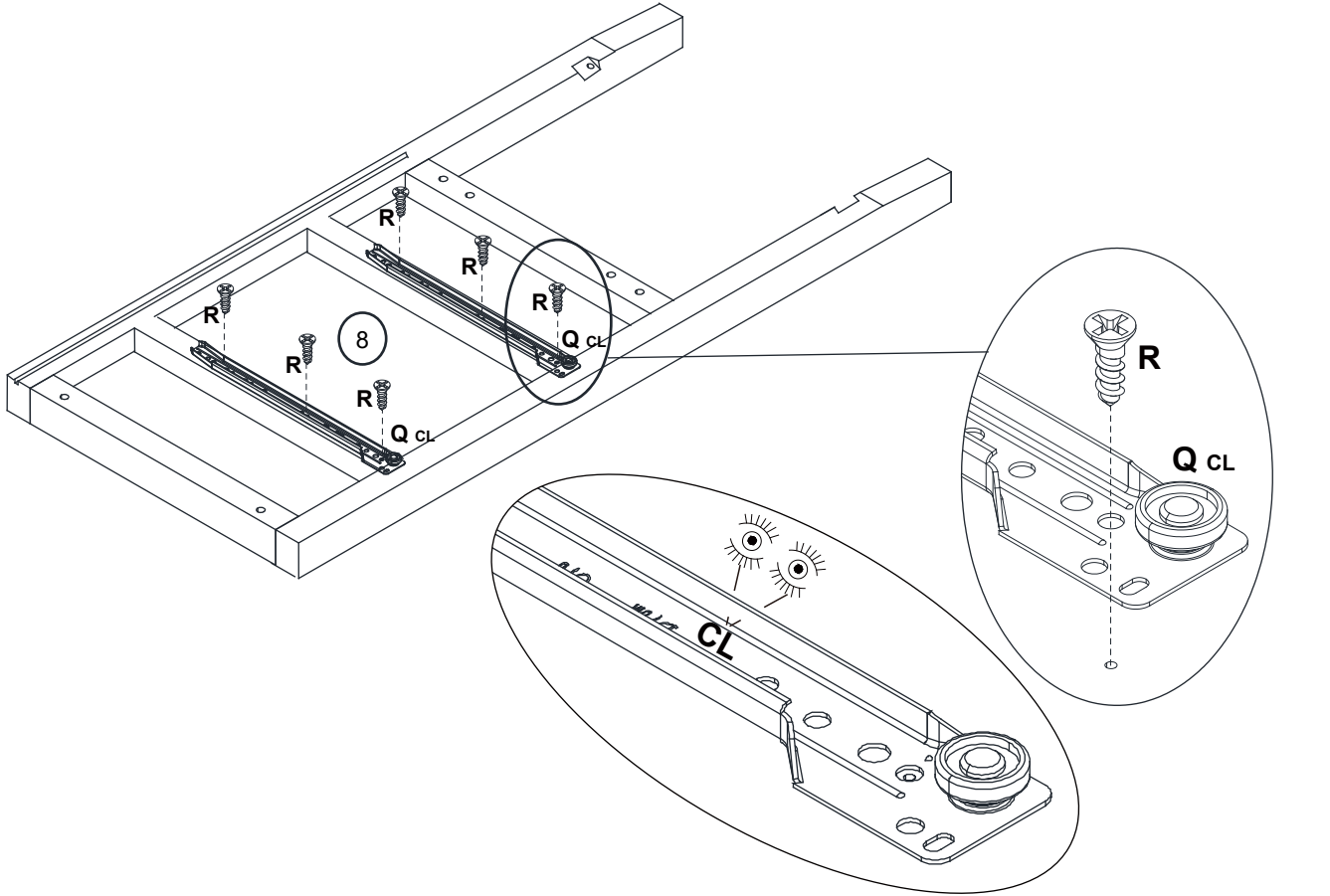
Step 3



<p>CL DL DR CR</p>	
Q	2pc

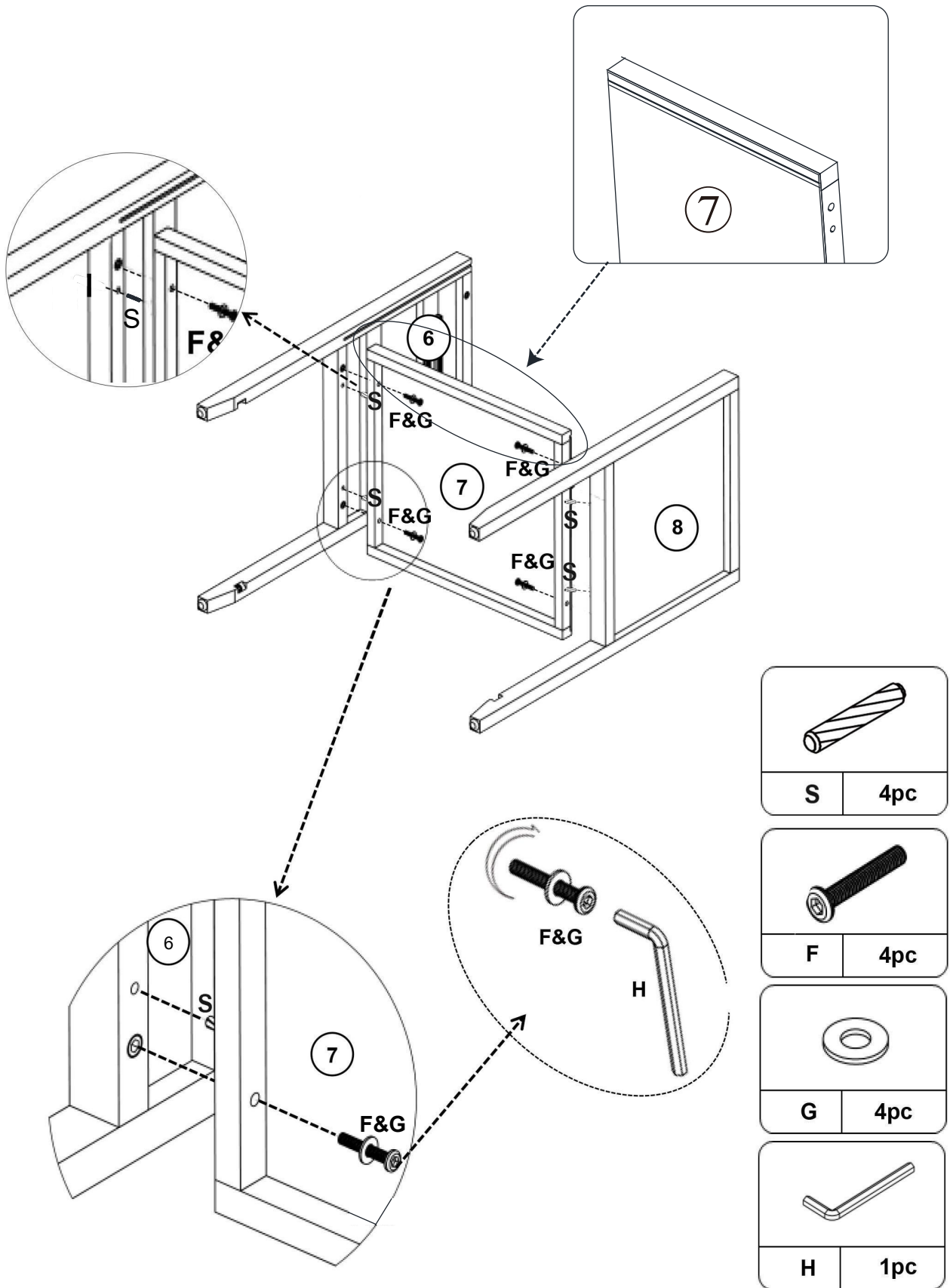
R	12pc

# Step 4

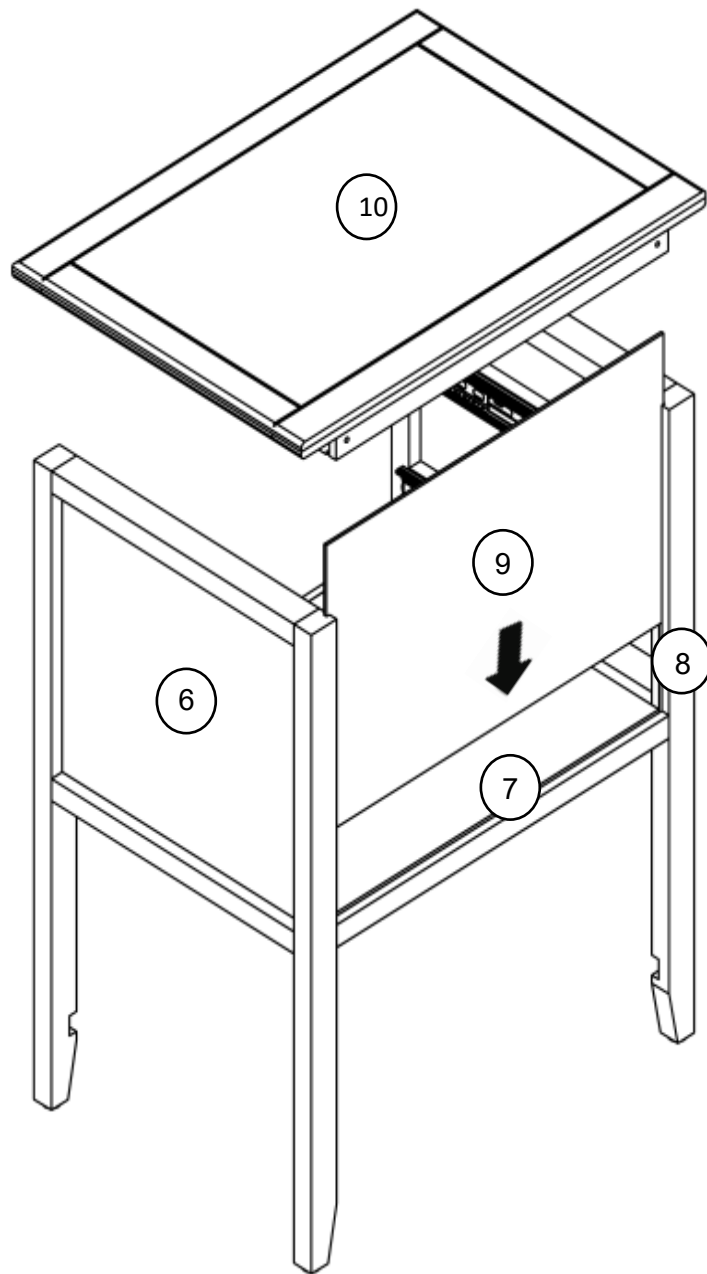


 CL DL DR CR			
Q	2pcs	R	12pcs

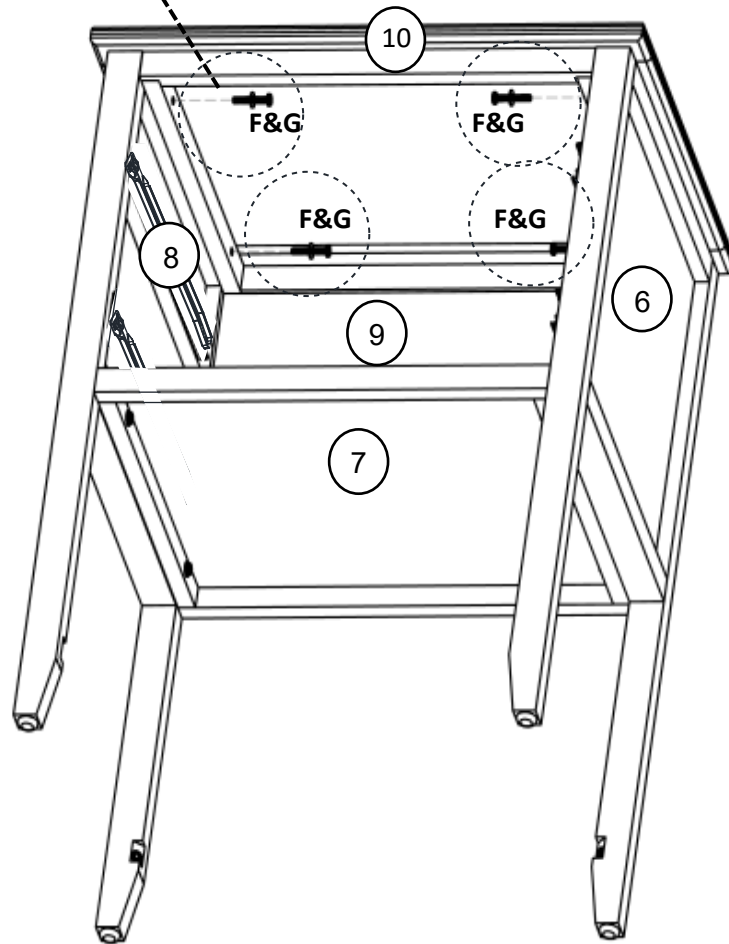
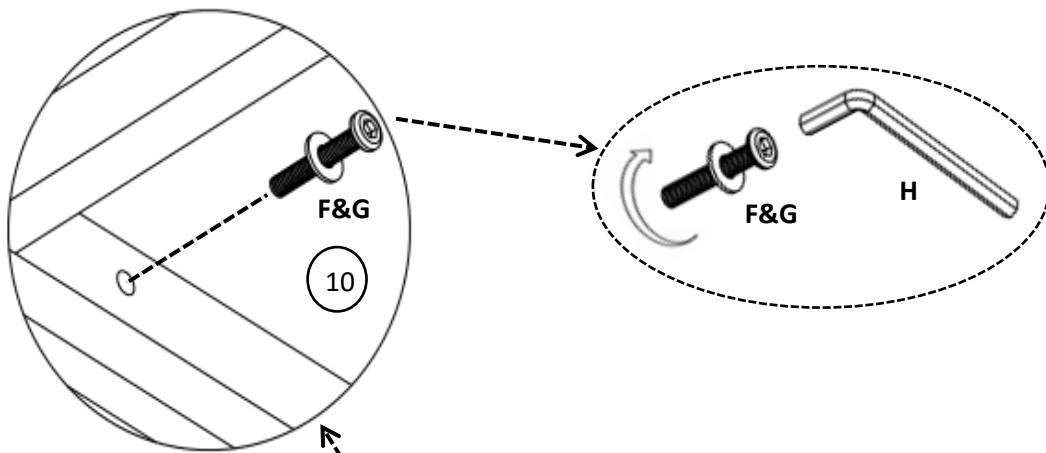
# Step 5






Step 6

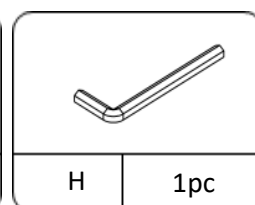
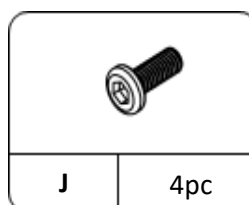
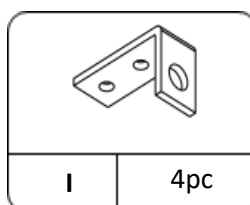
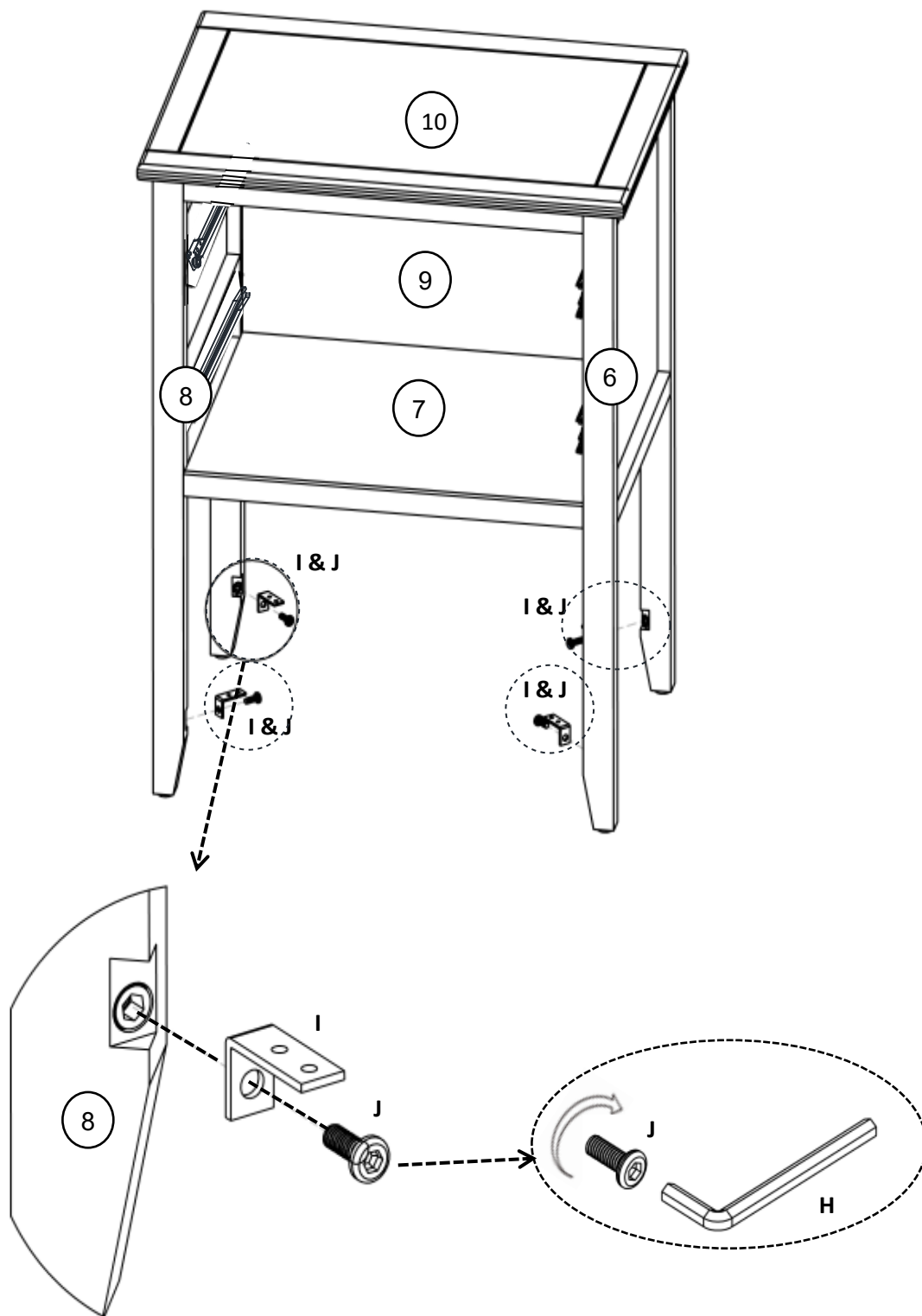


# Step 7

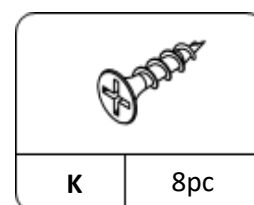
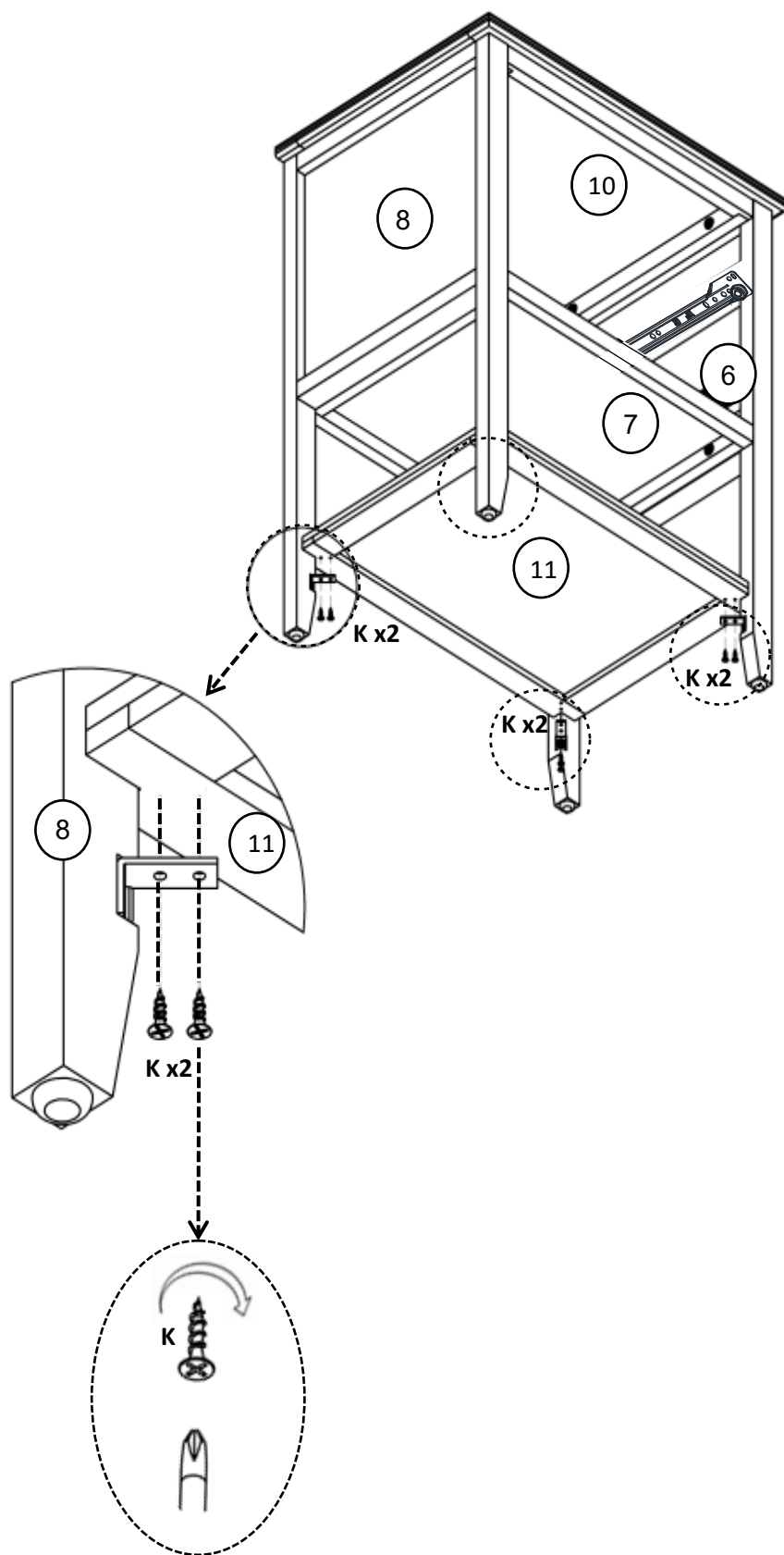


		
F	G	H
4pc	4pc	1pc

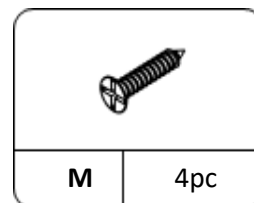
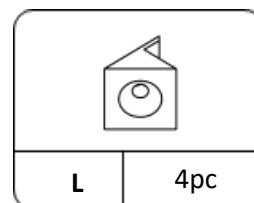
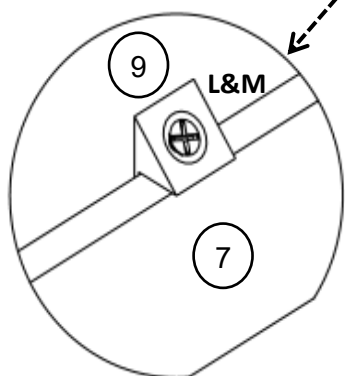
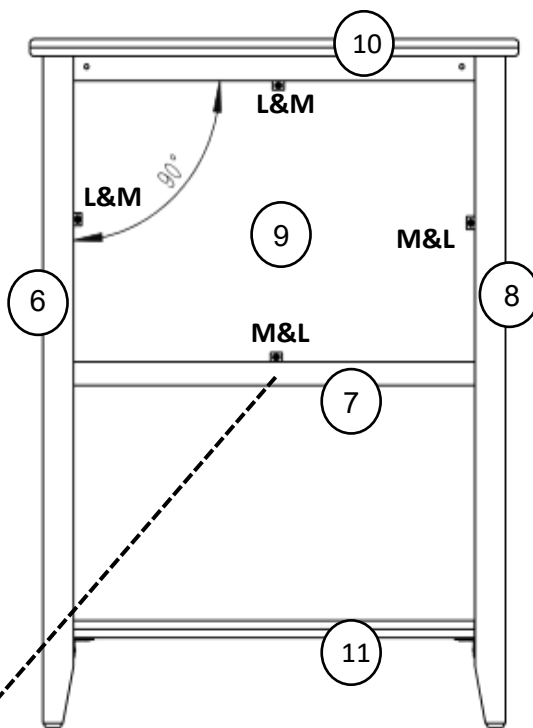
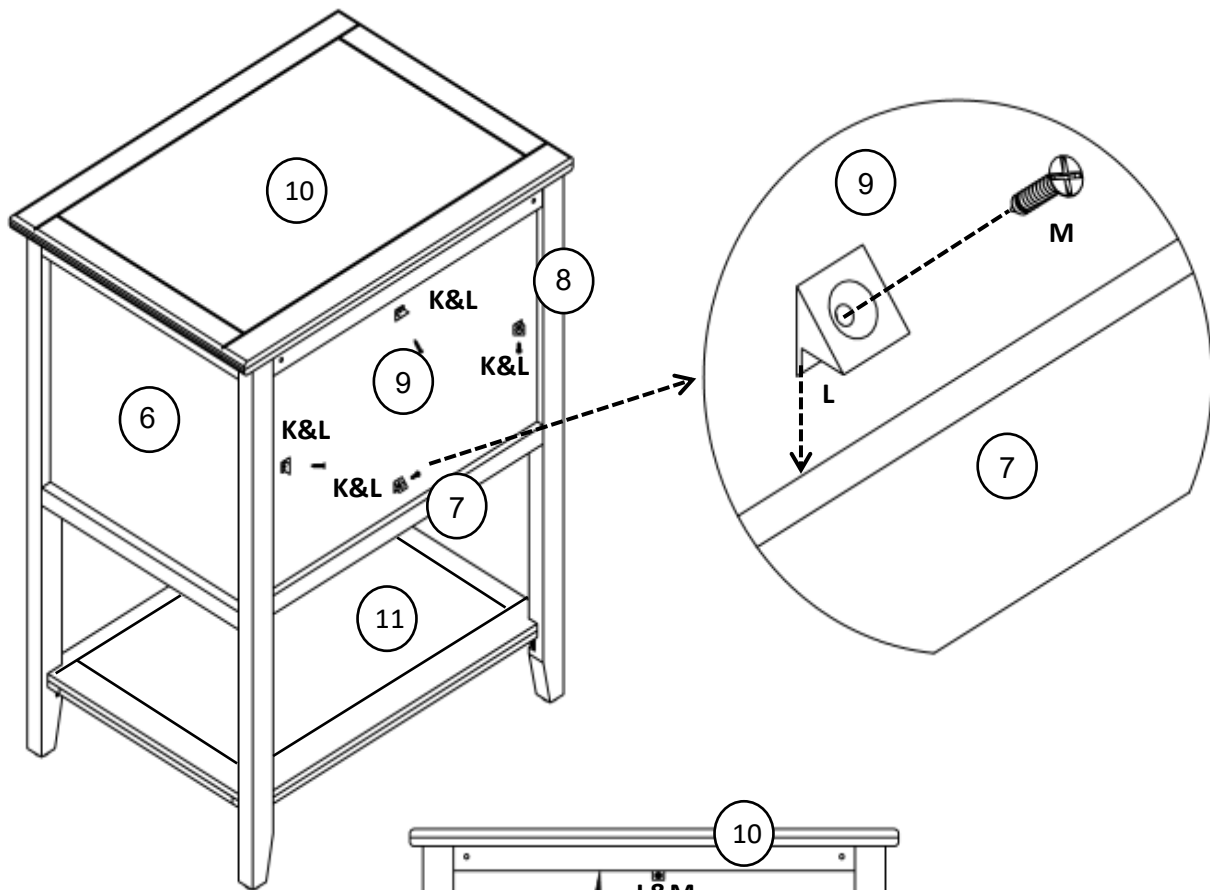
# Step 8



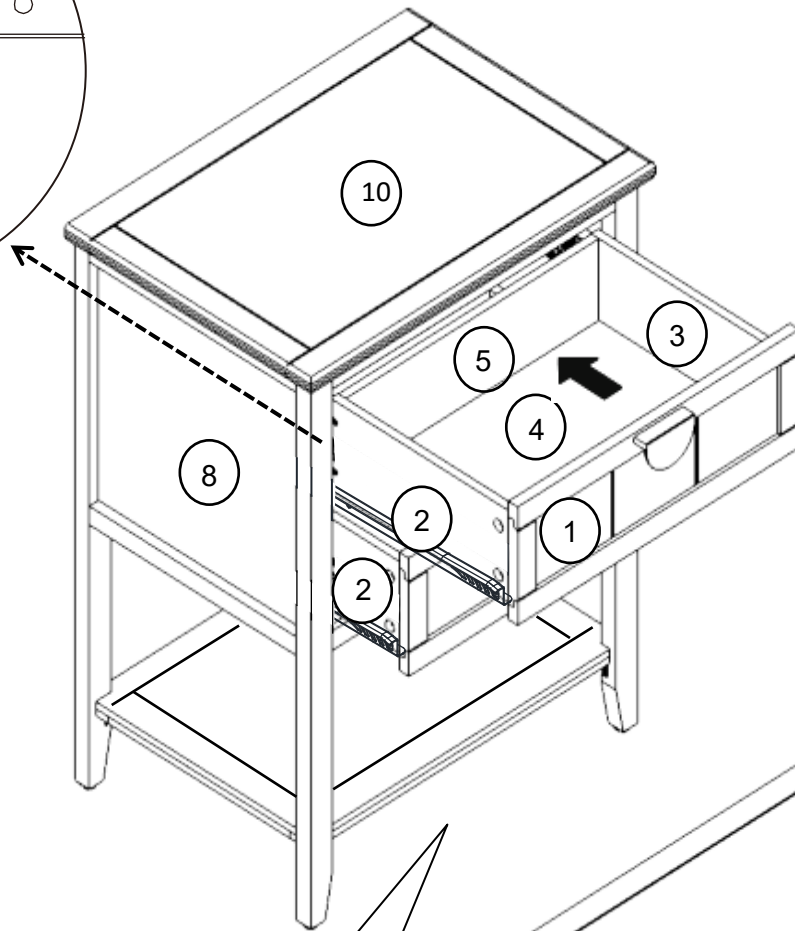
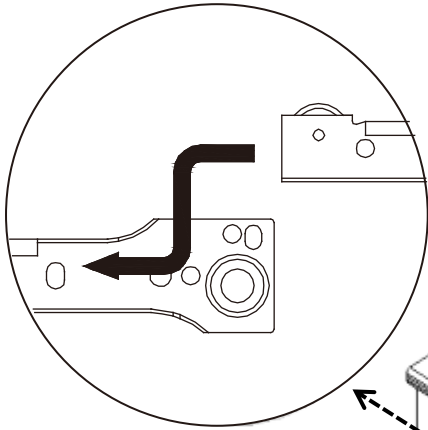
# Step 9



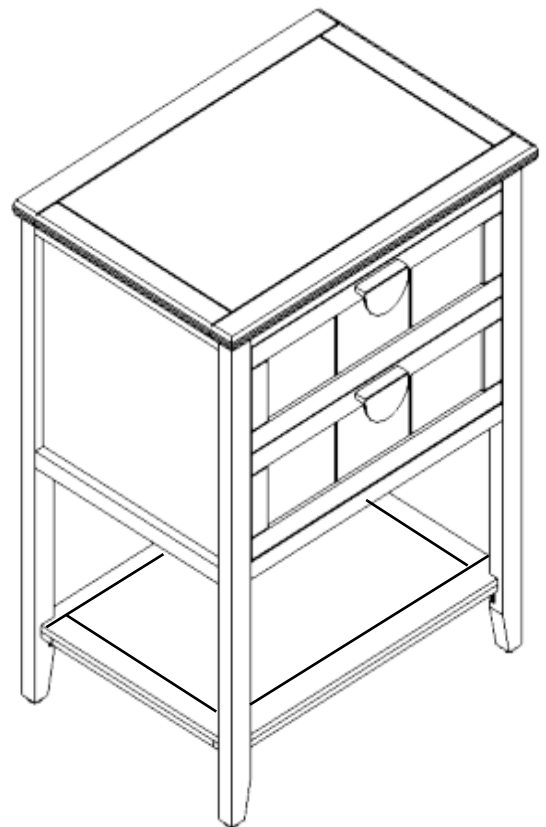
# Step 10



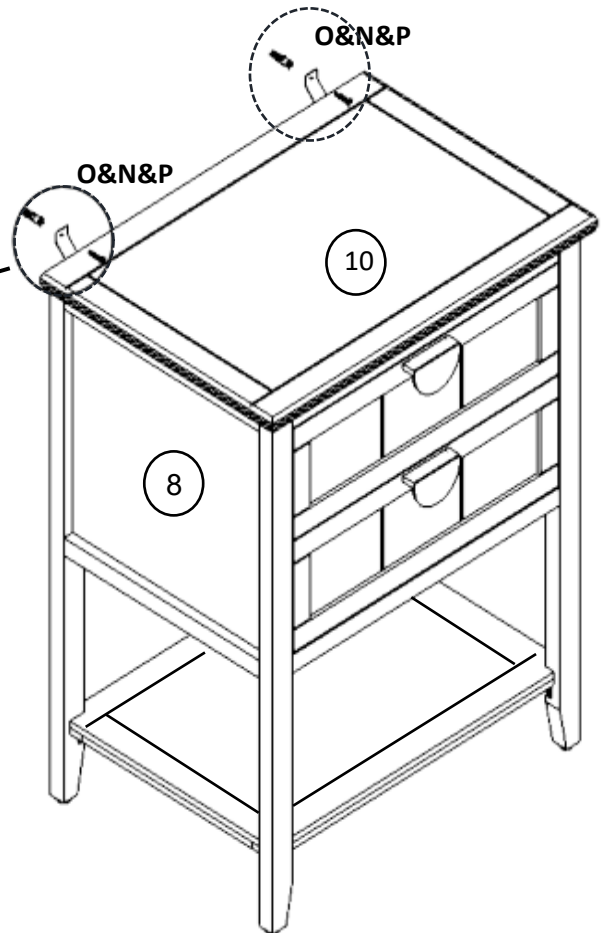
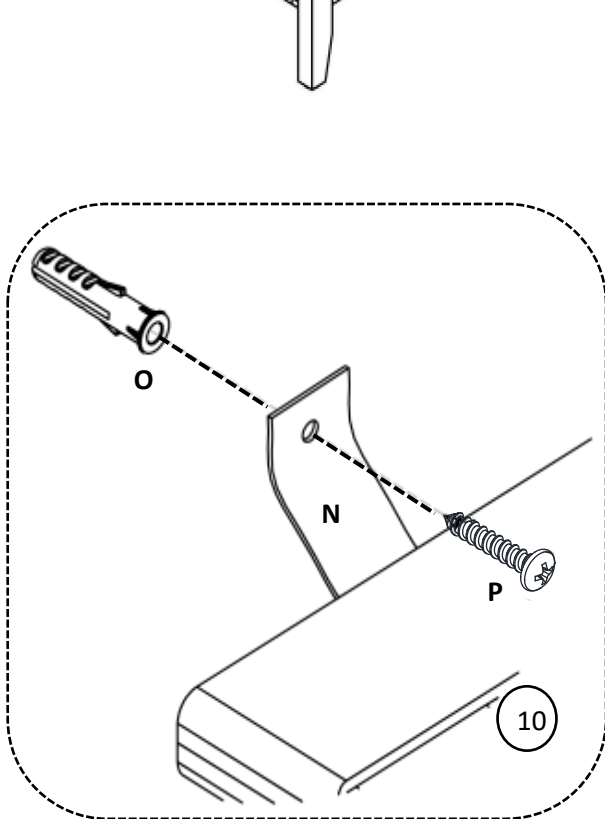
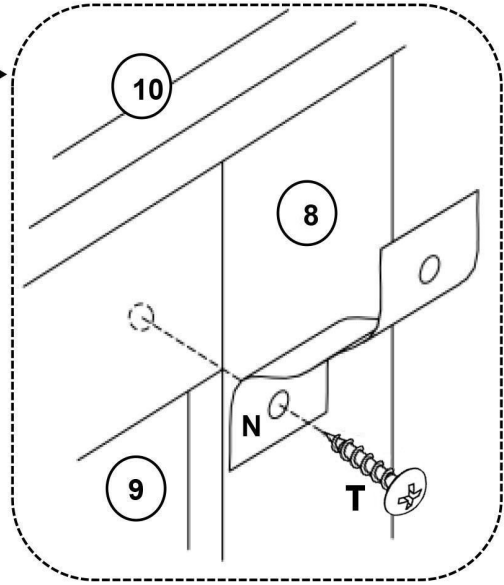
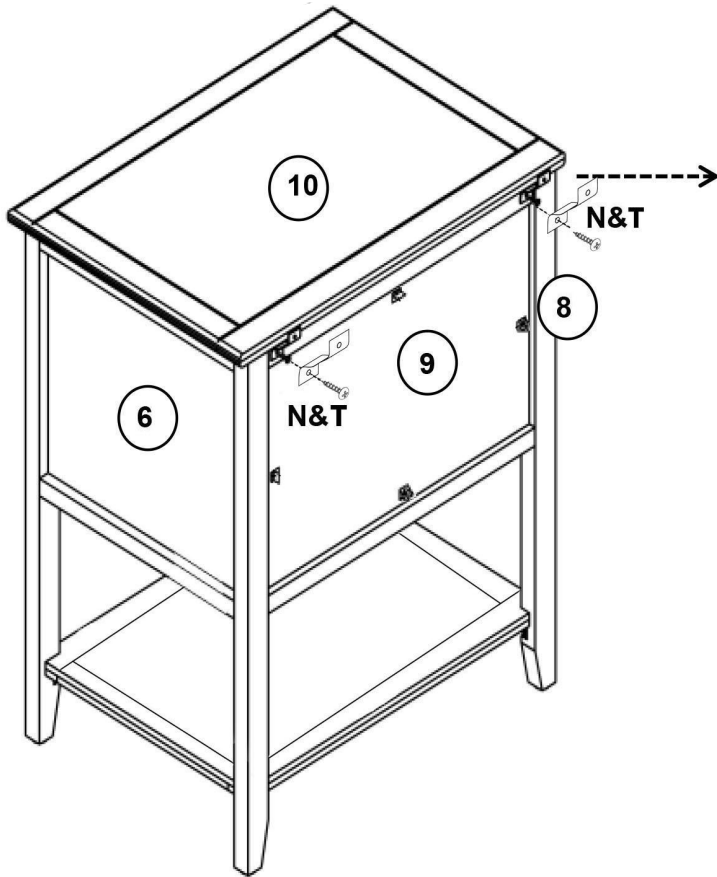
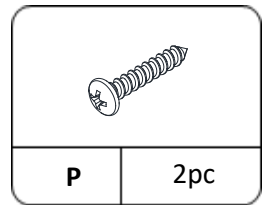
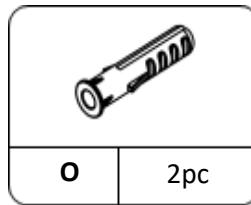
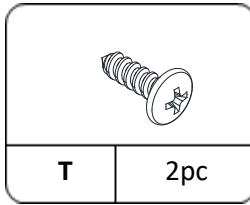
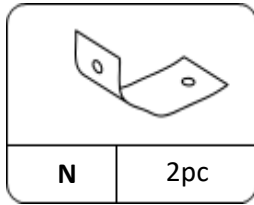
# Step 11



Assemble drawers from the bottom up, or for easier access



# Step 12



## Proper Use

- DO NOT** use for commercial purposes
- DO NOT** use as a step stool or stand on table
- DO NOT** put hot serving liquid directly on the table top
- DO NOT** leave spilled liquid on the table top
- DO NOT** use table if damaged
- DO NOT** exceed weight limit
- DO NOT** make temporary repairs
- DO NOT** use outdoor