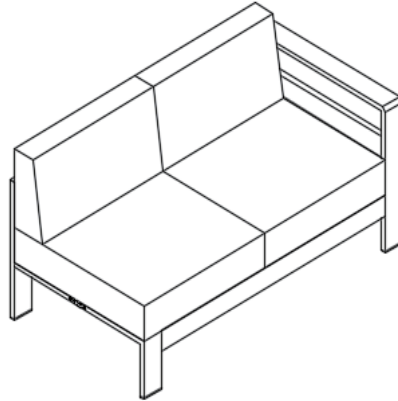




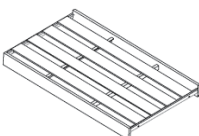


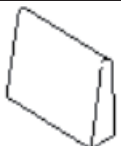
Assembly Instructions

Caution : You must read this before you proceed




Right Sofa



Parts List

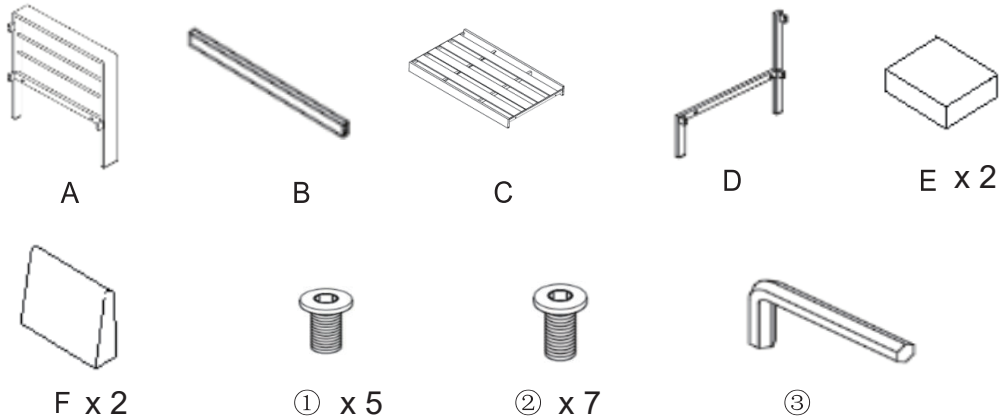
Label	Picture	Description	QTY
A		Side Panel	1
B		Back Support Bar	1
C		Seat Panel (Labeled with 'face' and 'bottom')	1
D		Leg Support Bar	1
E		Seat Cushion	2
F		Back Cushion	2

Hardware

Label	Picture	Description	QTY
①		Bolt (M6*20MM)	5
②		Bolt (M6*25MM)	7
③		Allen Wrench	1

Assembly Preparation

Before Beginning Assembly:



- Read instructions, cover to cover-



- Have 2 adults on hand for assembly-



- Do not assemble on flooring or carpet-



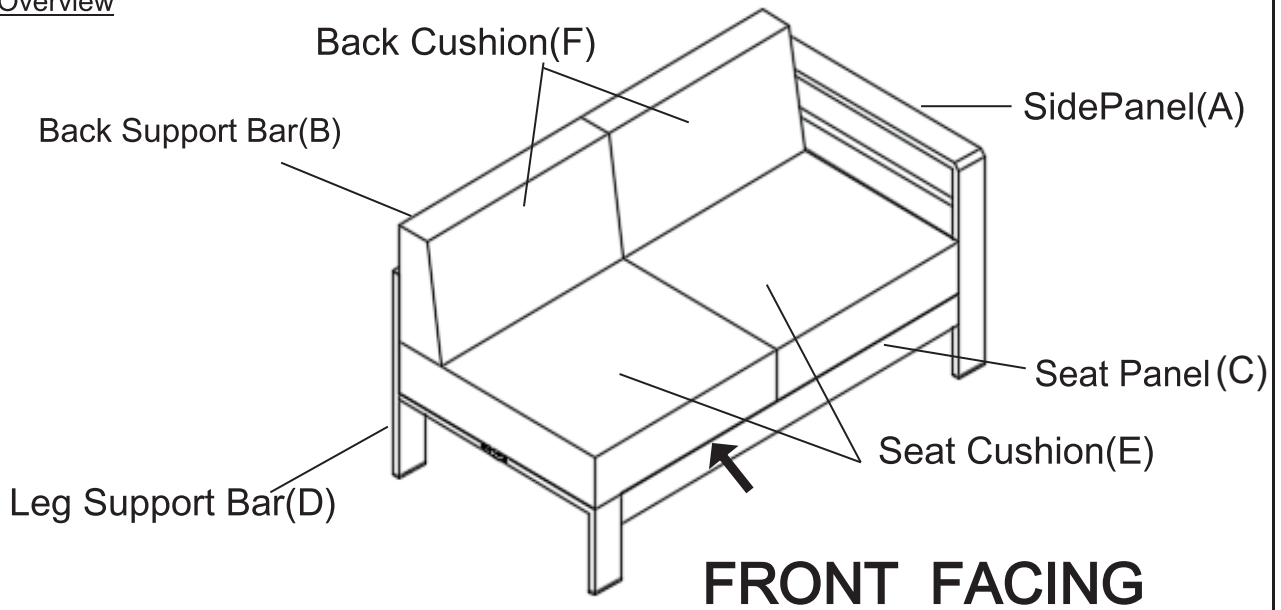
- Assemble on a clean non-marring surface (packing foam)-



- Save all packaging until finished-

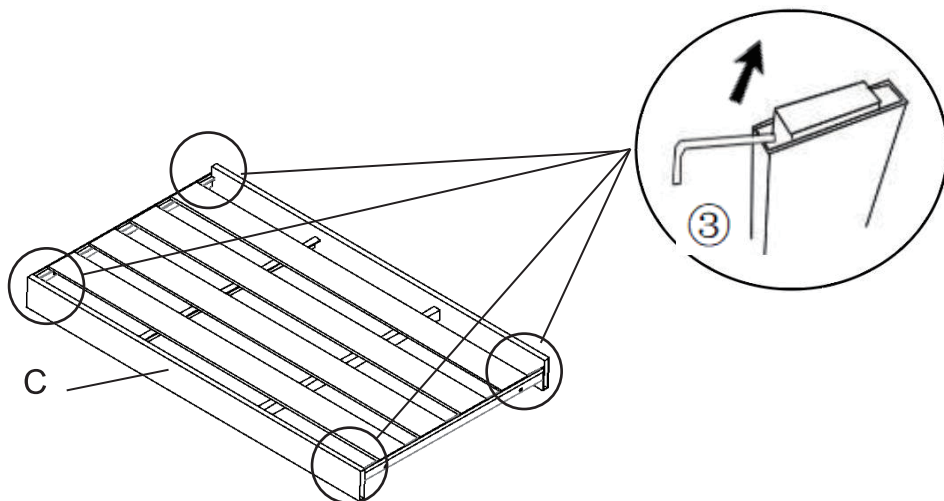
Assembly Steps

Overview



This Sofa has multiple parts and may require up to 30 minutes to assemble. To give you an overview of the Sofa parts, the above picture is to help you put the various parts into perspective. Please read through the instructions below to familiarise yourself with the parts and steps before assembly.

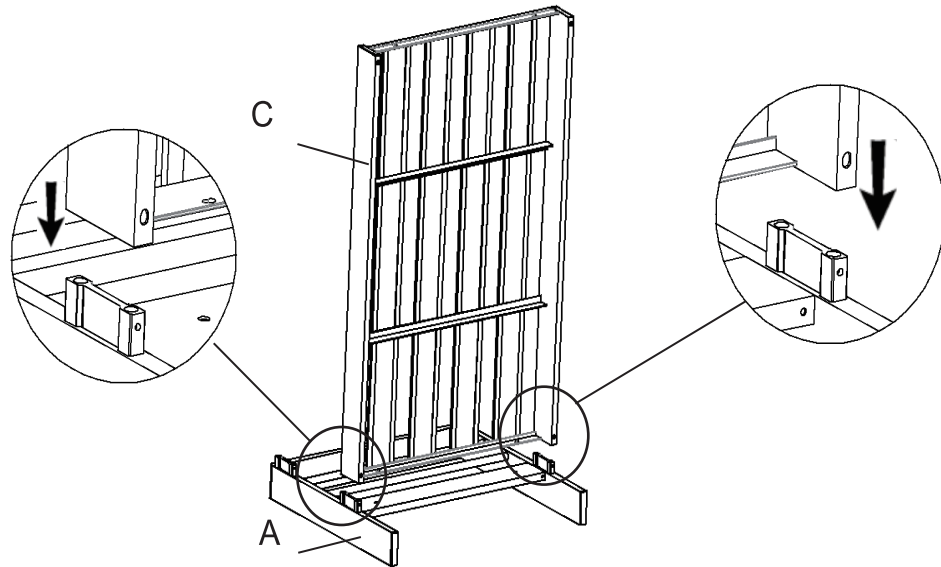
Step 1



Open the carton and place all parts on a clean, non-damaged surface.

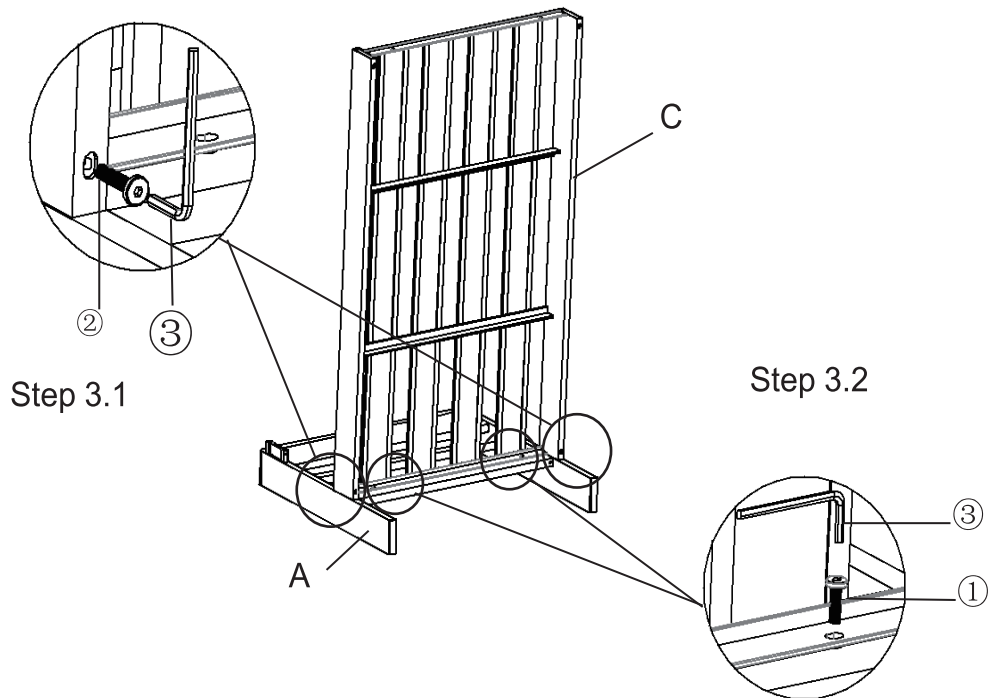
As shown above, use an inner Allen wrench (③) to remove the four ends of the Seat panel(C) plastic plug (to prevent the aluminum tube from being scratched).

Step 2



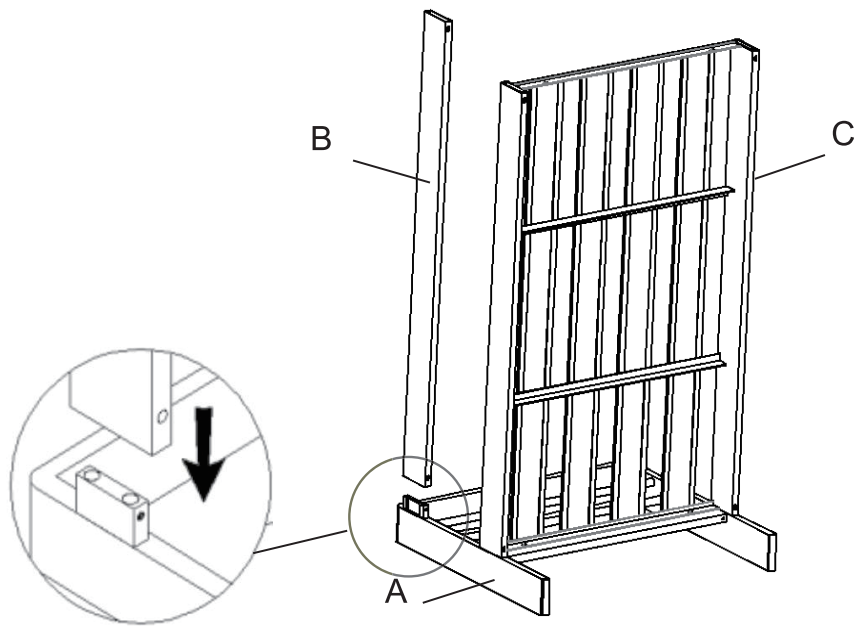
Place the Side Panel(A) with its inside facing up.
Insert Seat Panel(C) into the Side Panel(A).

Step 3



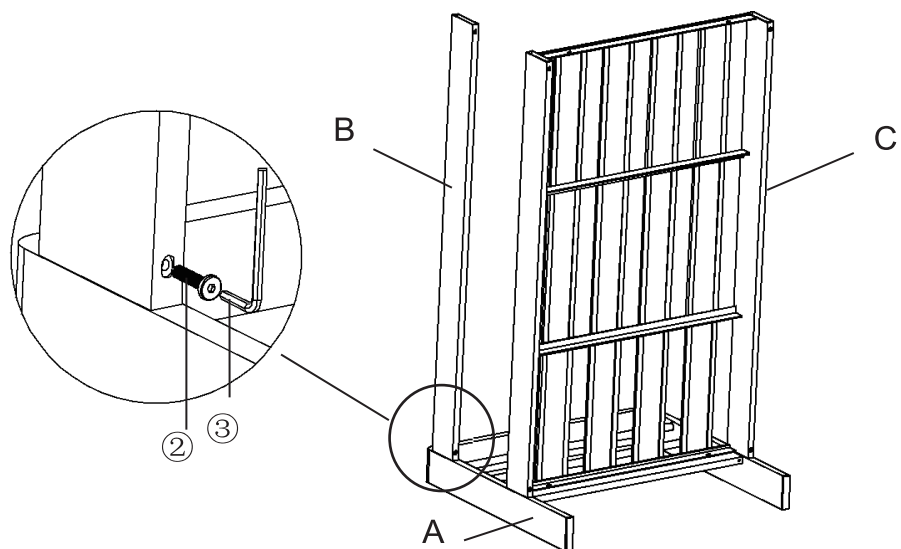
3.1) Attach the Seat Panel(C) to Side Panel(A) using Bolts(2) with Allen wrench(3) as shown above.
3.2) Attach the Seat Panel(C) to Side Panel(A) using Bolts(1) with Allen wrench(3) as shown above.
Do not fully tighten Bolts.

Step 4



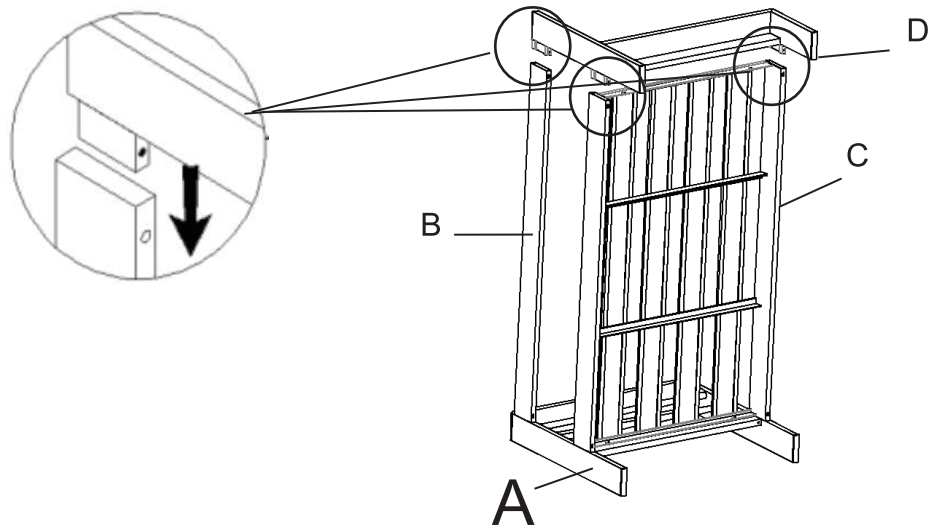
Insert the Back Support Bar(B) into the Side Panel(A).

Step 5



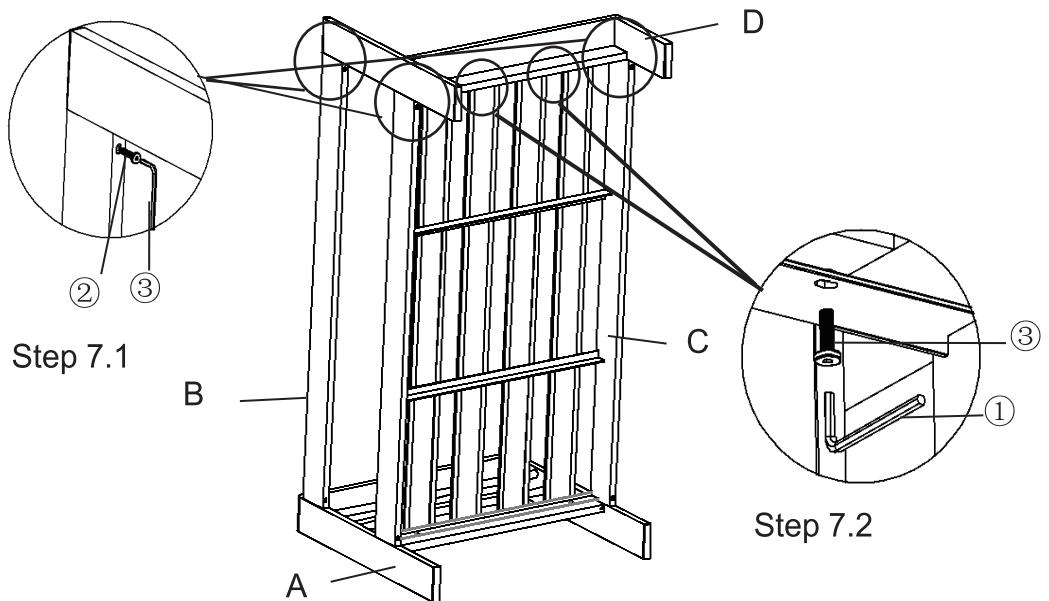
Attach the Back Support Bar(B) to the Side Panel(A) using Bolt(②) with Allen wrench(③).
Do not fully tighten Bolt.

Step 6



Insert the Leg Support Bar(D) into the Back Support Bar(B) and Seat Panel(C) as shown above.

Step 7

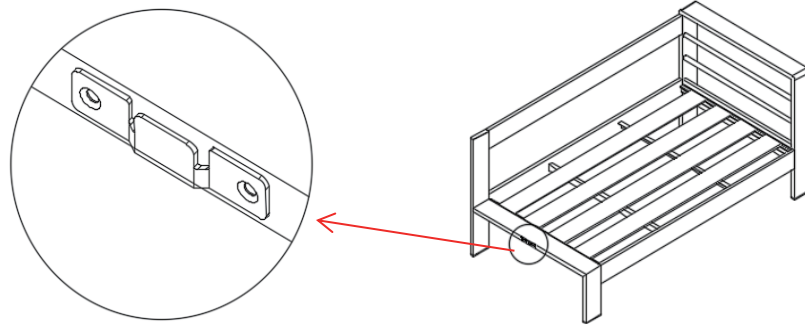


7.1) Attach the Leg Support Bar(D) to Back Support Bar(B) and Seat Panel(C) using Bolts(②) with Allen wrench(③) as shown above.

7.2) Attach the Leg Support Bar(D) to Seat Panel(C) using Bolt(①) with Allen wrench(③) as shown above

Do not fully tighten Bolts.

Step 8



Stand up the sofa.

Place the sofa on a level surface.

Check and ensure that all parts are fully connected.

Sit gently and carefully on the sofa.

This will help align all the parts at all the joints.

Then carefully leave the sofa and tighten all the bolts in sequence.

When tightening bolts, tighten them in sequence.

Do not tighten any bolts completely and proceed to the next bolt.

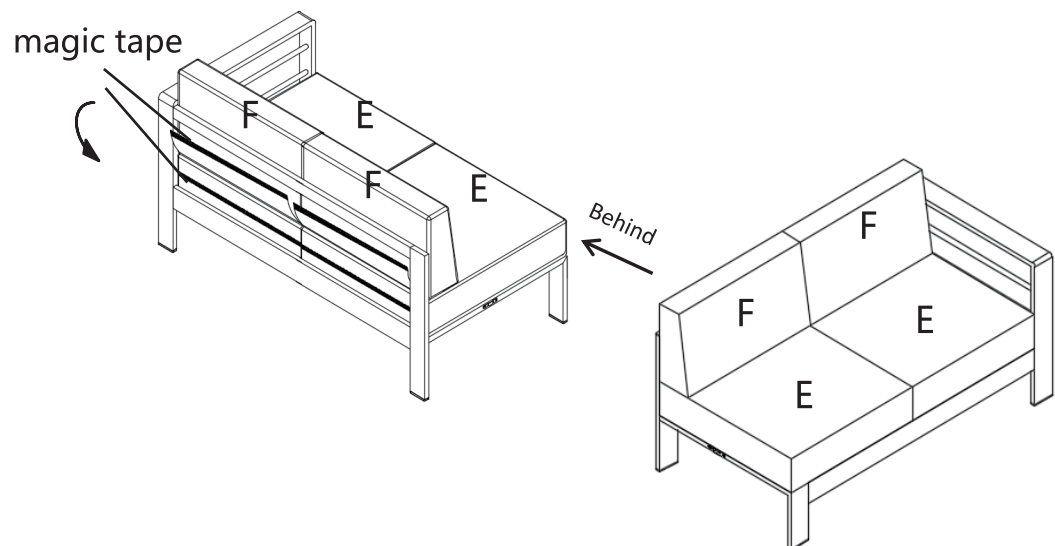
This can lead to distortion of the frame.

If there is still shaking, loosen the bolt and perform the same procedure.

If the sofa is unstable, the product may be damaged.

Note: this step is best done with the help of a second adult.










Step 9



Put Seat Cushions(E) and Back Cushions(F) on the Sofa and stick the magic tape from back cushion to seat cushion as shown above.

Your Right Sofa is ready for use.

Care & Maintenance

-  Do not put hot items directly on furniture surface
 -  Do not clean furniture with harsh cleansers or polish.
 -  To obtain the longest lifespan of your outdoor products, minimizing exposure to direct sunlight is recommended.
 -  Children should not climb or jump on the furniture.
 -  Do not write on furniture without a padded barrier to protect the surface.
 -  To obtain the longest lifespan of your outdoor products, avoid extended and lengthy exposure to rain, snow, and direct sunshine. Whenever possible cover the product and /or place under patio or awnings.
 -  Not for commercial use. For residential use only .
 -  Stains may be removed with mild soap solution and damp cloth.
-
-  Dust and pick-up spills using a clean, non-colored, lint-free cloth .