




**Gardening
Made Easier.
Anytime,
Anywhere.**

Contact Us

 +1 (866) 597-1888

 Vego Garden Academy

 hello@vegogarden.com

 vegogarden.com

 [vego_garden](https://www.instagram.com/vego_garden)

 Houston, TX



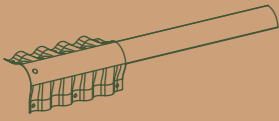
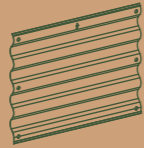
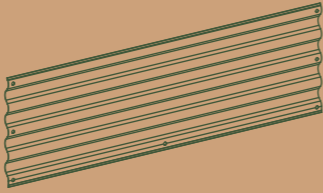



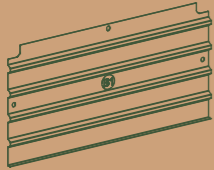
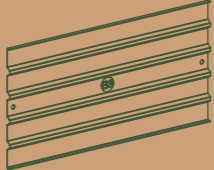
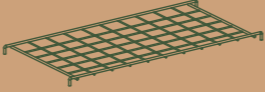



General Manual for Elevated Garden Bed 2ft x 6ft





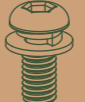
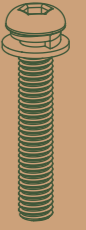


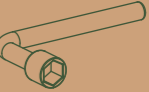

Gardening Made Easier. Anytime, Anywhere.

Copyright © 2024 Vego



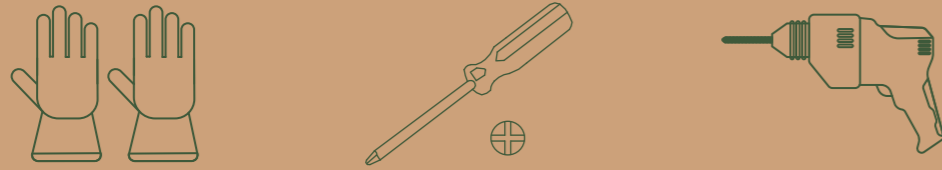
 **Parts List**

		
P1 Qty: 4	P2 Qty: 2	P7 Qty: 4
		
P4 Qty: 2	P5 Qty: 1	P6 Qty: 1
		
B1 Qty: 4	B3 Qty: 2	B4 Qty: 6
		
H2 Qty: 2	H3 Qty: 2	H5 Qty: 4

		
H6 Qty: 4	F1 M6x10 Qty: 34	F2 M6 Qty: 16
		
F3 M6x8 Qty: 16	F4 M6x14 Qty: 28	F5 M6x35 Qty: 4
		
Z1 Qty: 8	T1 Qty: 1	T2 Qty: 1
		
SE Qty: 1		

Assemble Tips

- Additional tools are needed to complete this assembly, see below:



- We recommend two people working together, and approximately half an hour to complete the assembly.
- During assembly, we recommend placing the unpacked box flat on the ground to serve as a protective mat.

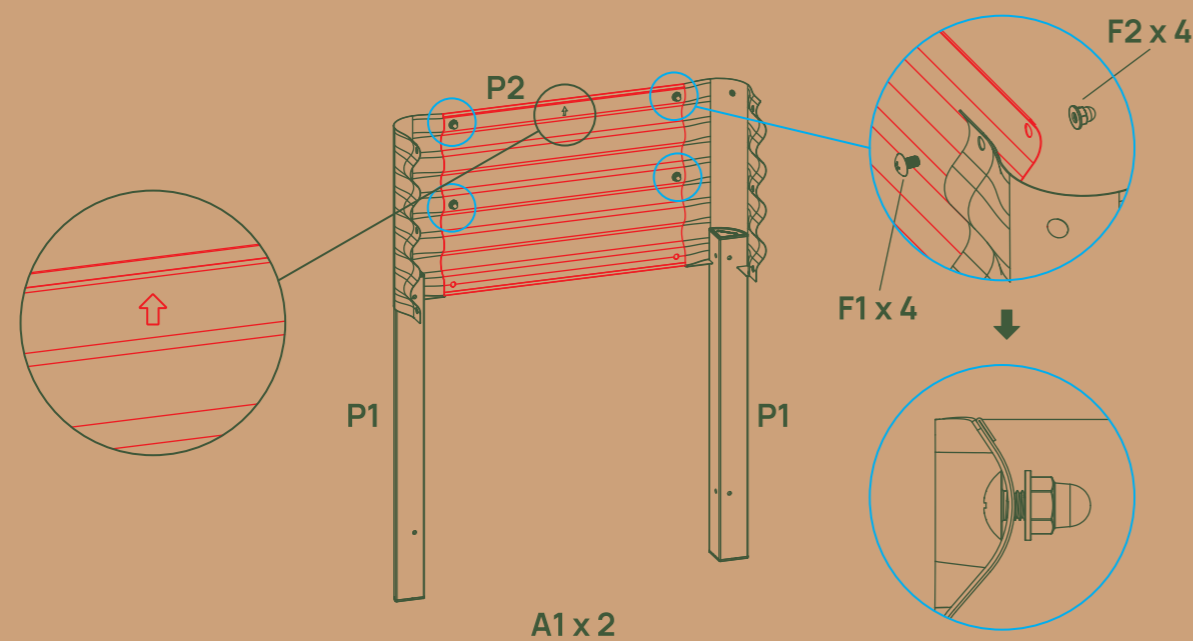
Assembly Guide

www.vegogarden.com/assembly

- Assemble A1 with the F1 bolts and F2 cap nuts, using them to attach the P1 metal leg and P2 corrugated panel. Install the top two rows only. Two A1 pieces are required.

Notes:

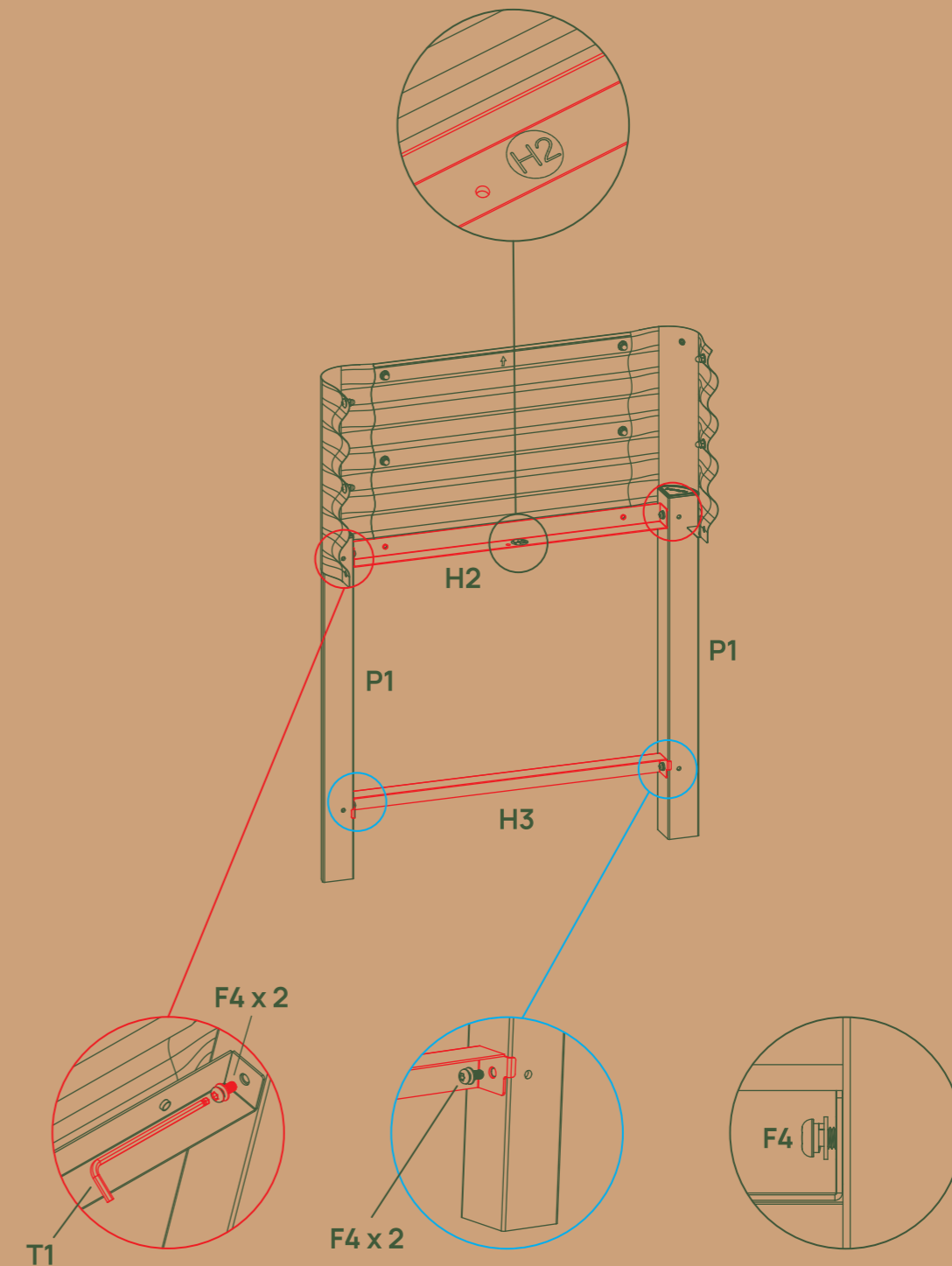
- Make sure the P2 corrugated panel is installed on the interior side.
- Do not tighten the bolts fully to allow for easier final assembly.
- Make Sure the "UP" label is positioned on the inside of the P2 corrugated panel and facing upward.



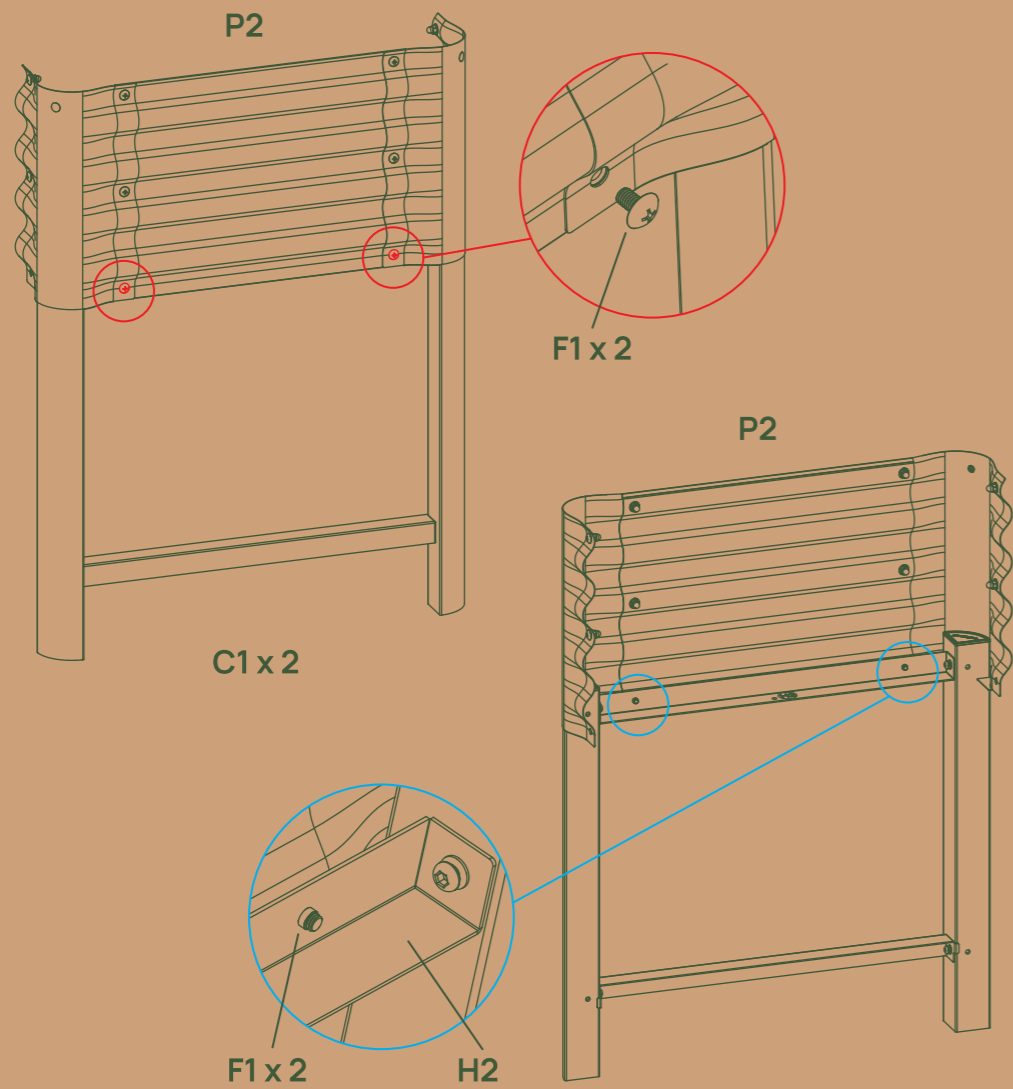
- Use the T1 wrench and F4 bolts to attach H2 and H3 to the side of A1's metal legs (P1).

Notes:

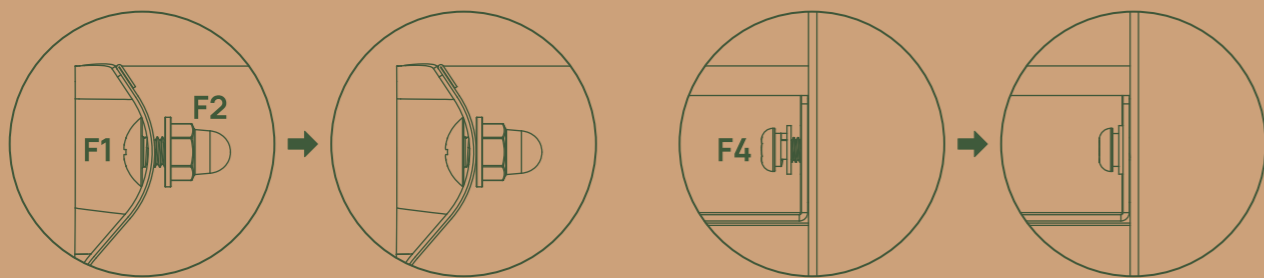
- Do not tighten the bolts fully to allow for easier final assembly.
- Make sure the label on H2 faces upward, and the label on H3 is facing downward.



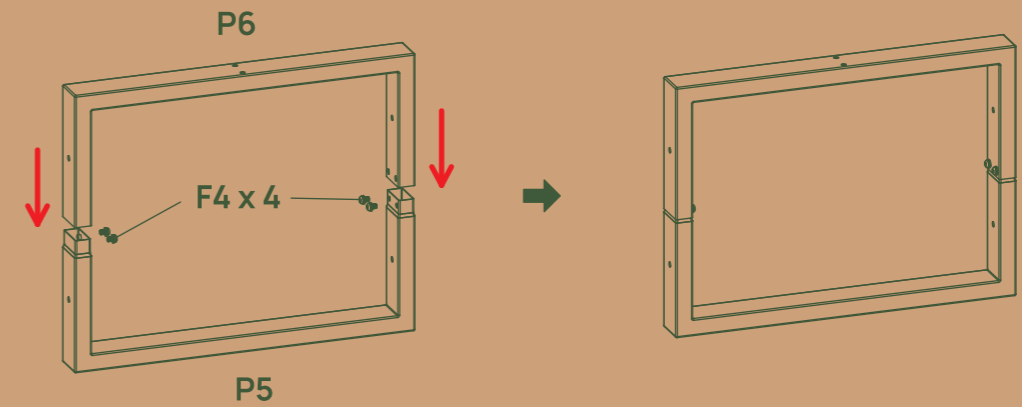
- 3** Use F1 bolts from the outside of P2 to connect P2 and H2 securely in place, forming C1. Two C1 units are required.
Note: If the holes do not align, loosen P1, P2, and H2 slightly.



After completing this step, tighten all the bolts and nuts on C1.



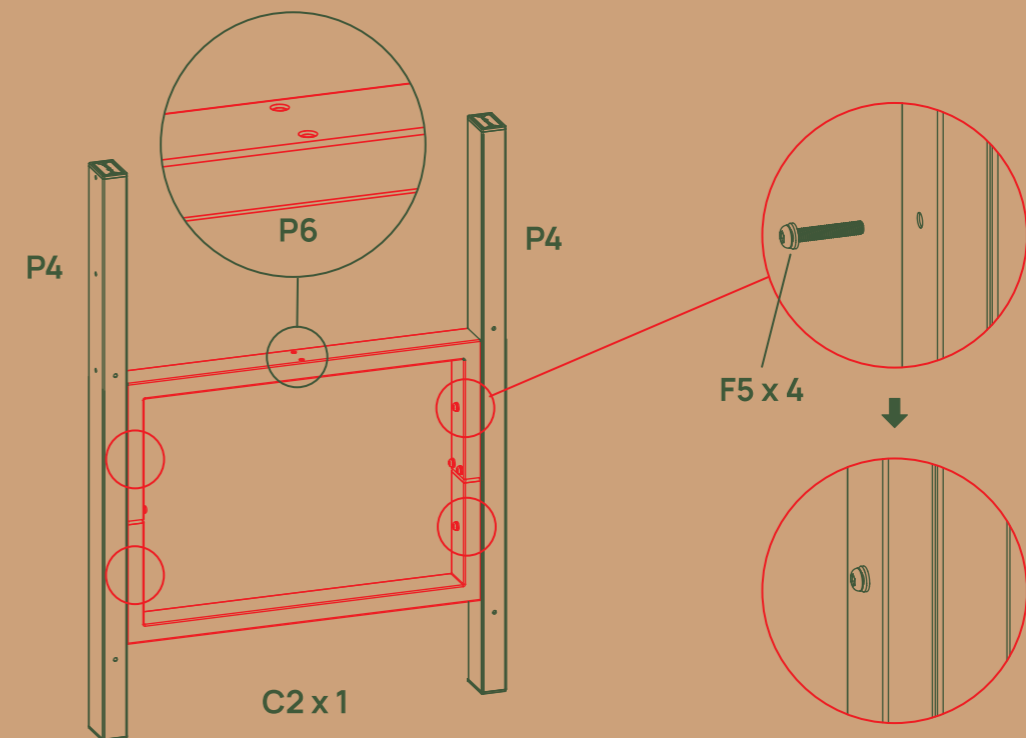
- 4** Use the T1 wrench and F4 bolts to assemble P5 and P6 into a square frame.



Next, use F5 bolts to attach the square frame to the two P4 pieces, assembling them into C2.

Notes:

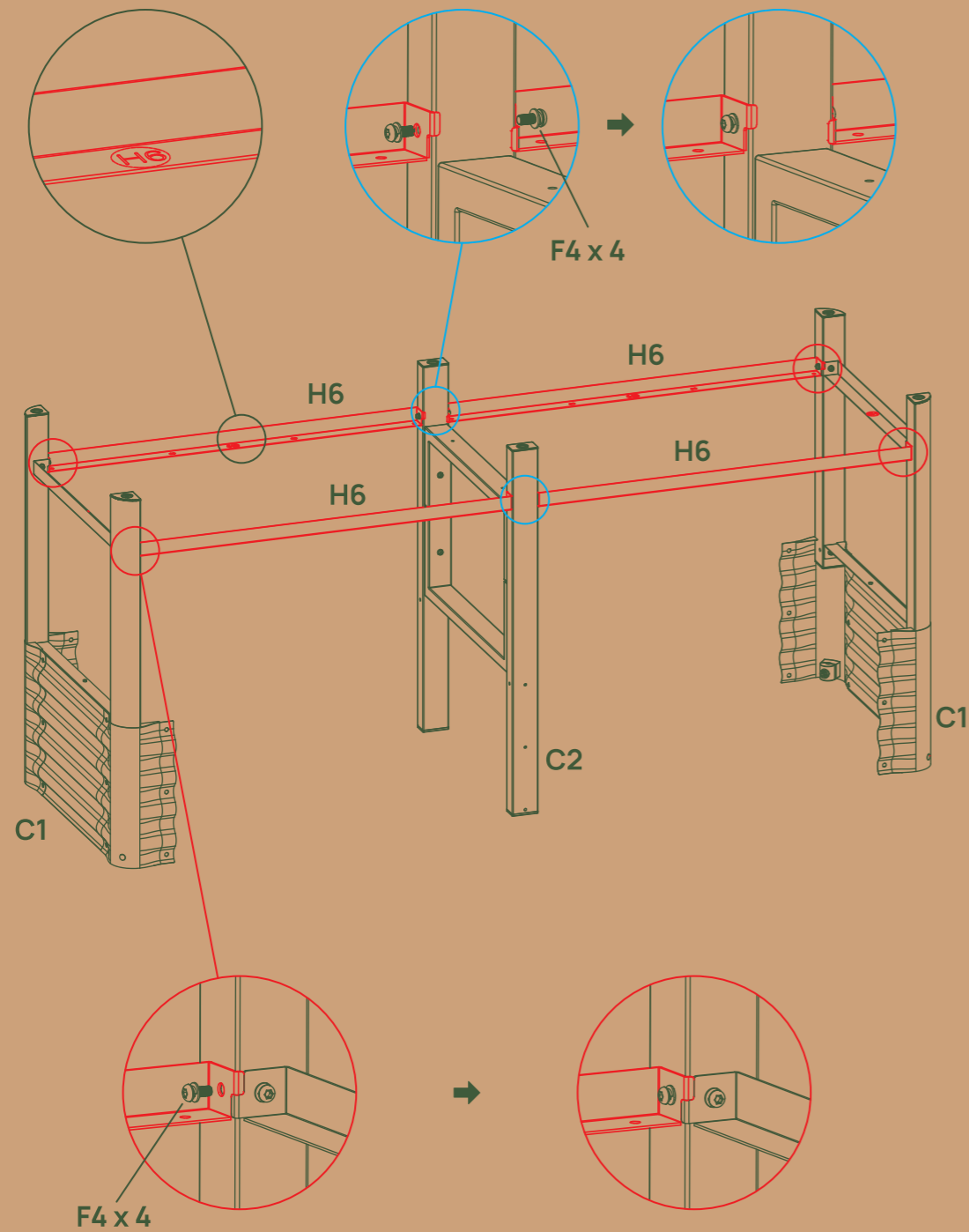
1. Make sure the side of P6 with the hole in the middle faces upward.
2. Fully tighten the F4 and F5 bolts.



5 Use F4 bolts to connect and secure H6, C1 and C2 in place.

Notes:

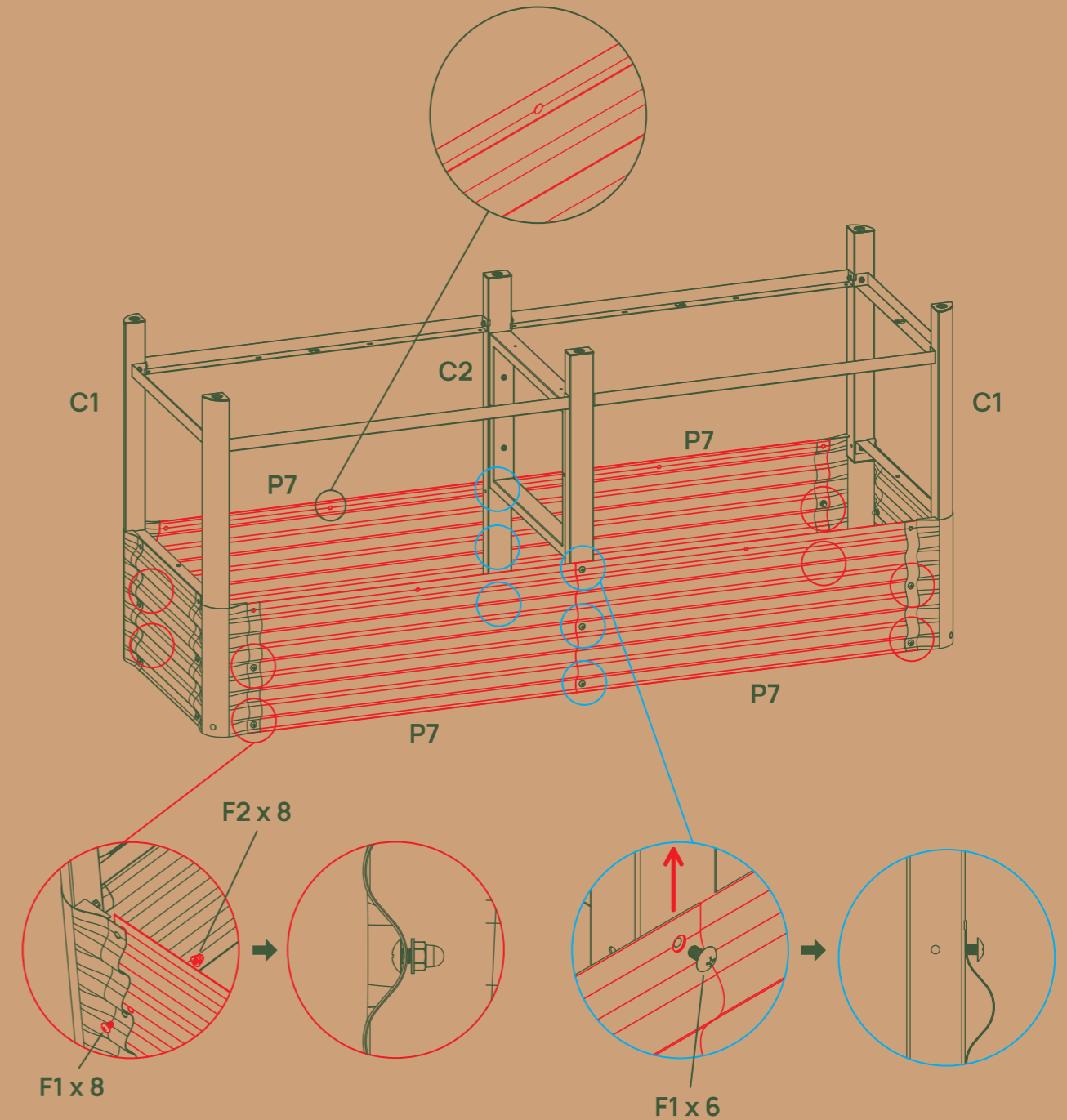
1. Make sure the label on H6 faces the top of the bed.
2. Fully tighten the F4 bolts.



6 Use F1 bolts and F2 cap nuts to attach the P7 corrugated panels between C1 and C2. For P7 and C1, only use the two holes closest to the top edge. For the P7 and C2 assembly, slightly lift C2 to align the holes, then assemble all three holes from top to bottom.

Notes:

1. Do not tighten the bolts fully to allow for easier final assembly.
2. Make sure the side of the P7 corrugated panel with holes is oriented towards the top of the bed.



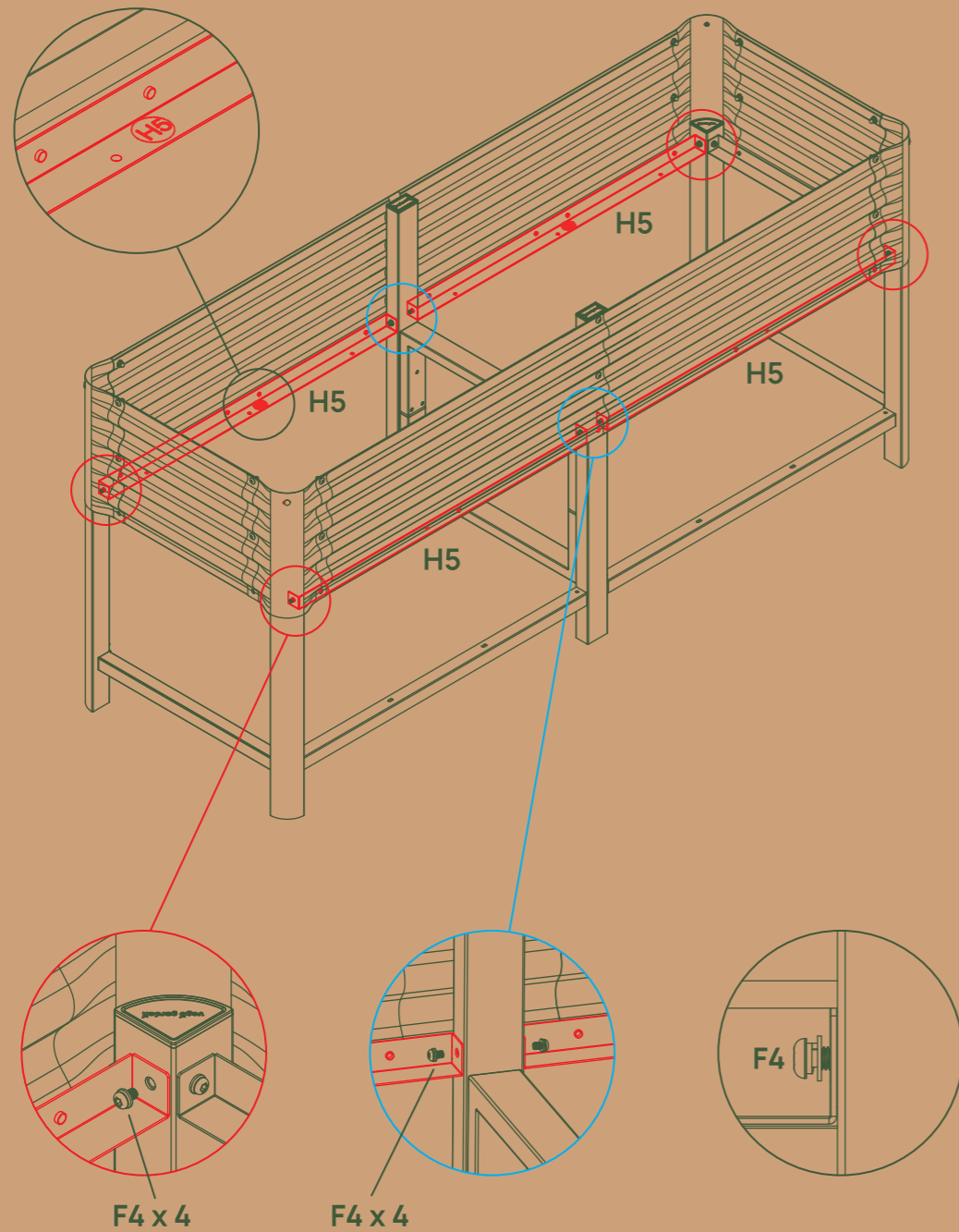
Attach P7 to C1 first.

Attach P7 to C2 next.

7 Use the T1 wrench and F4 bolts to attach the four H5 pieces to the sides of the metal legs.

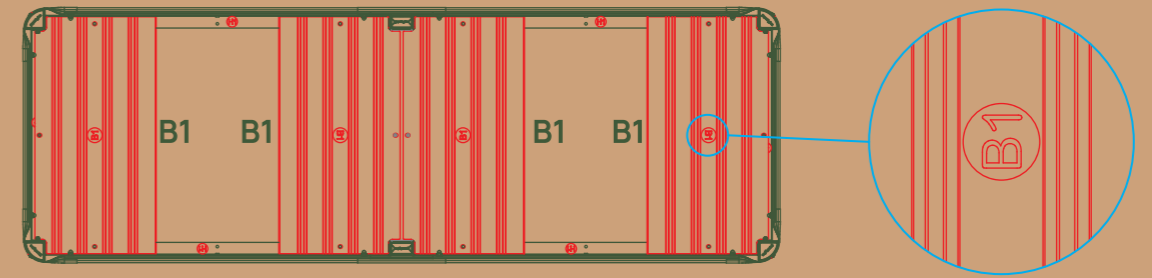
Notes:

1. Make sure the labels on H5 are facing upward.
2. Do not tighten the bolts fully to allow for easier final assembly.

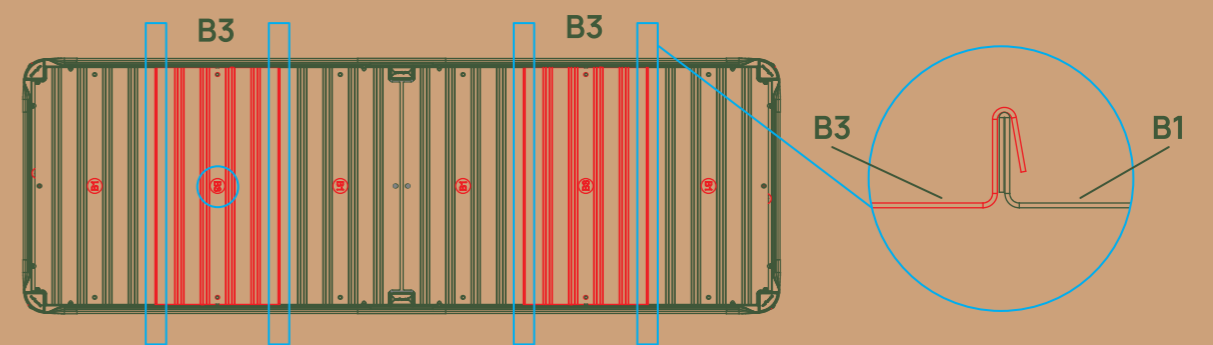


8 Install the bottom boards into the Elevated Garden Bed.

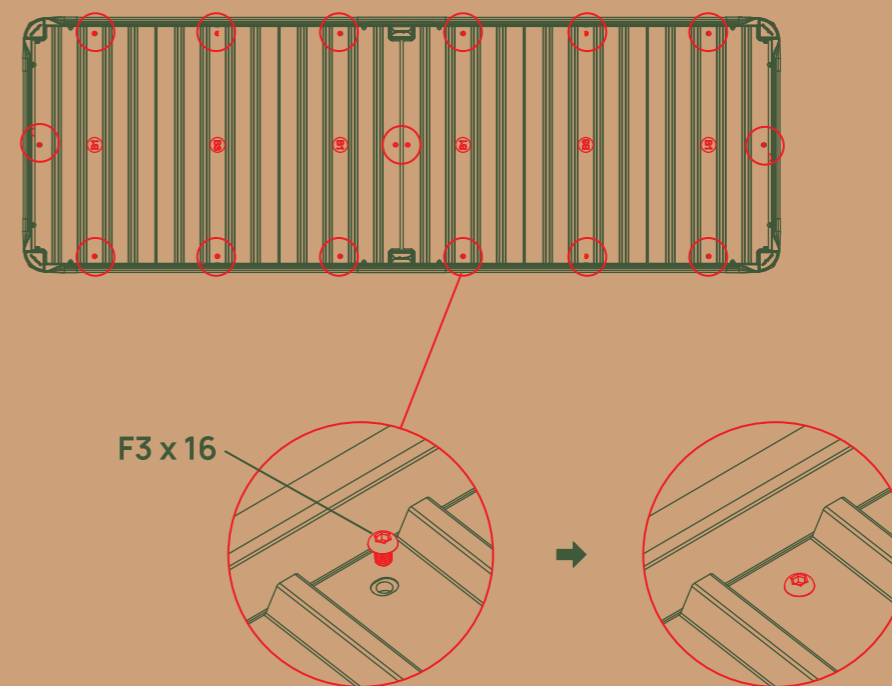
Insert the B1 bottom boards, ensuring the labels face upwards.



Insert the B3 bottom boards, ensuring the label faces upwards.



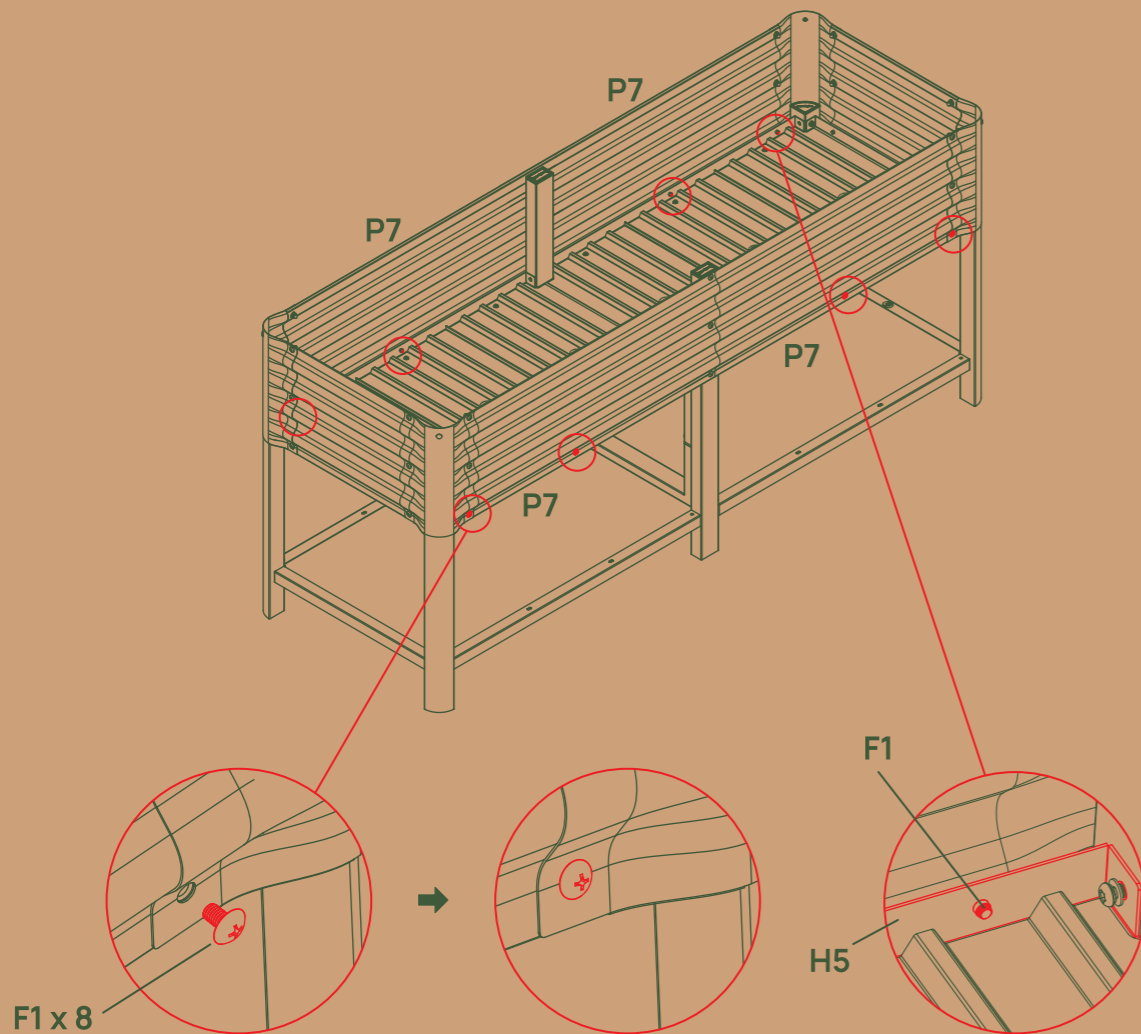
Use the T1 wrench and F3 bolts to secure the bottom boards in place.



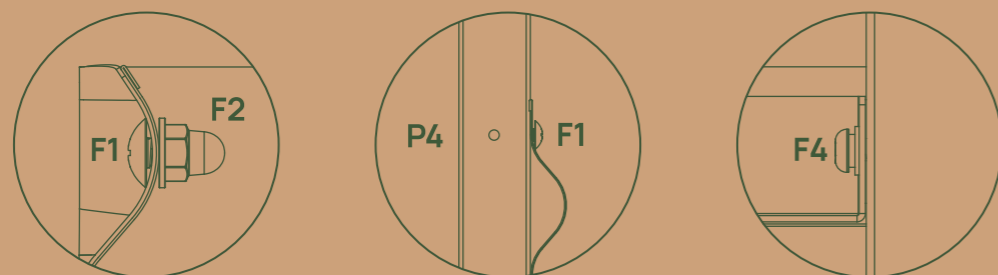
9 Use the F1 bolts to secure the bottom row of holes on the corrugated panel.

Note:

If the holes of the P7 corrugated panel and H5 do not align easily during installation, slightly loosen the bolts on P7 and H5, then gently move P7 and H5 to align the holes.



After completing this step, securely tighten all the bolts and nuts.



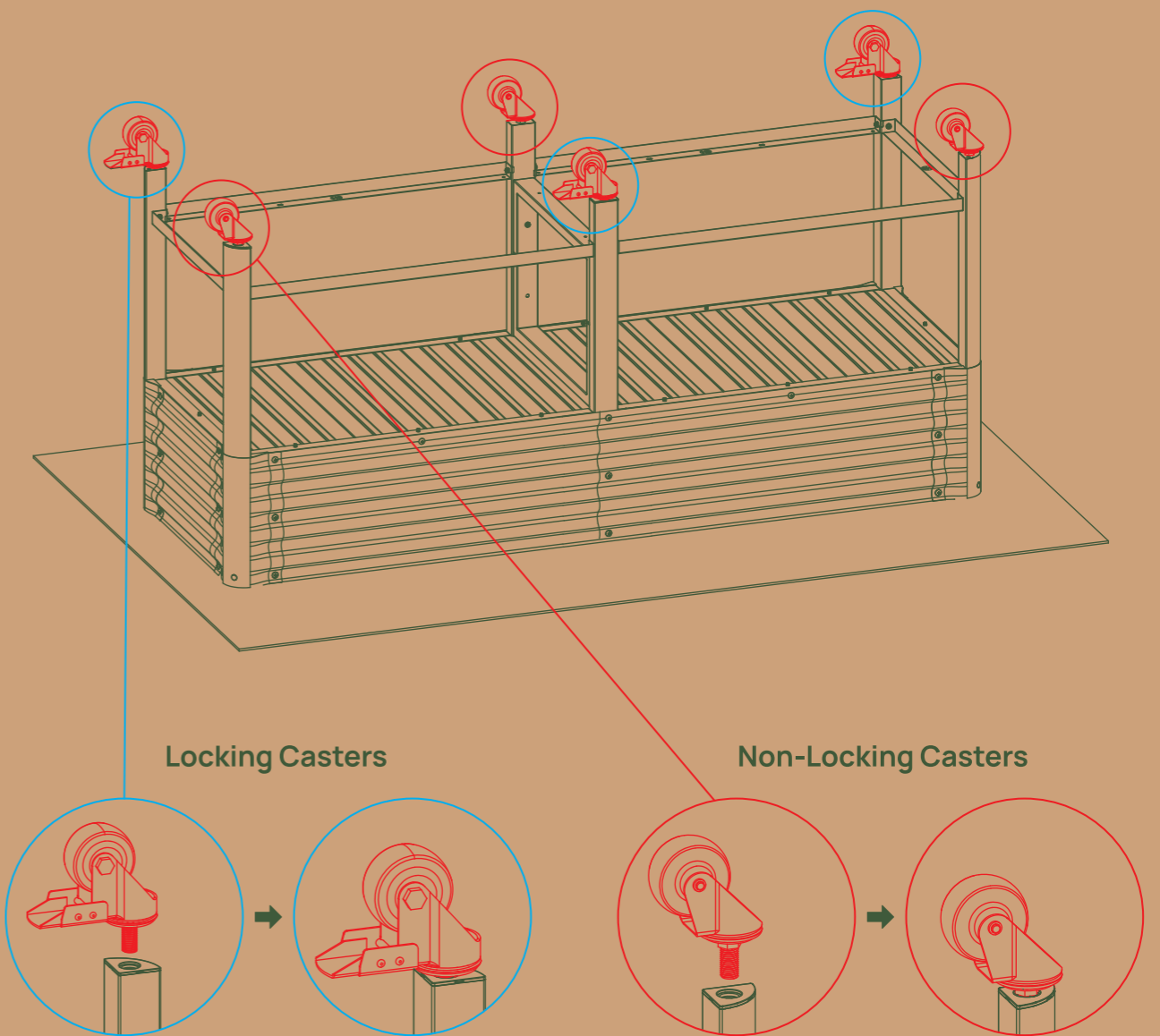
Attach The Casters to the Elevated Garden Bed

If you purchased the Elevated Garden Bed with casters, please follow the steps below to install them. If not, you can skip this step.

First turn the Elevated Garden Bed upside down, on a piece of cardboard or protective surface. Next, hand-tighten the caster's bolt into the hole at the bottom of the metal legs until it can no longer turn.

Notes:

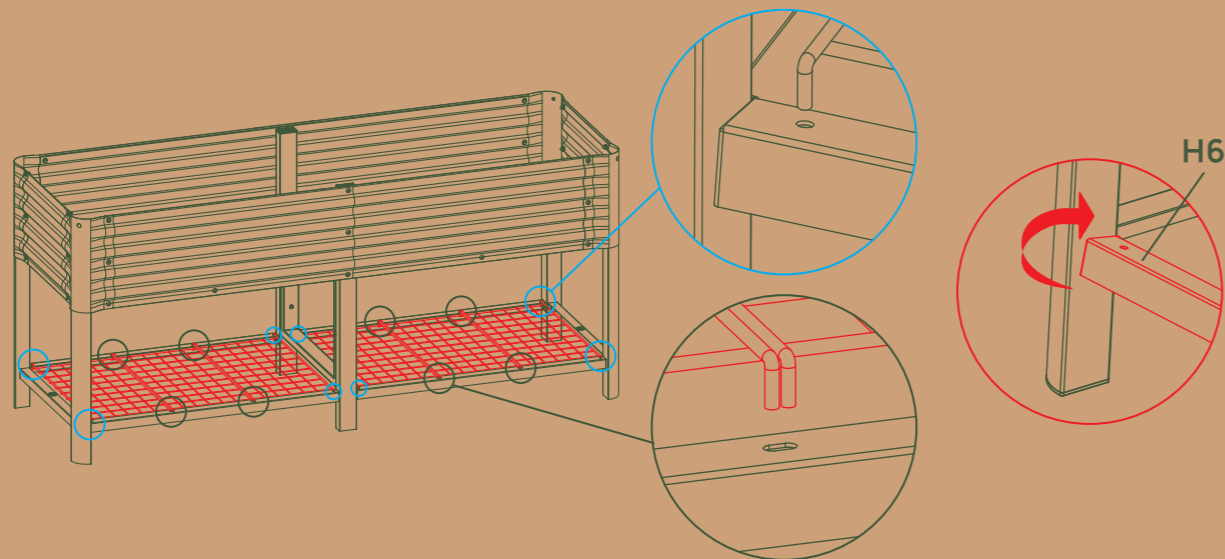
1. Make sure the locking casters and non-locking casters are placed on opposite legs in each row, as shown.
2. The casters are shipped separately, and are not included in the Elevated Garden Bed packaging.



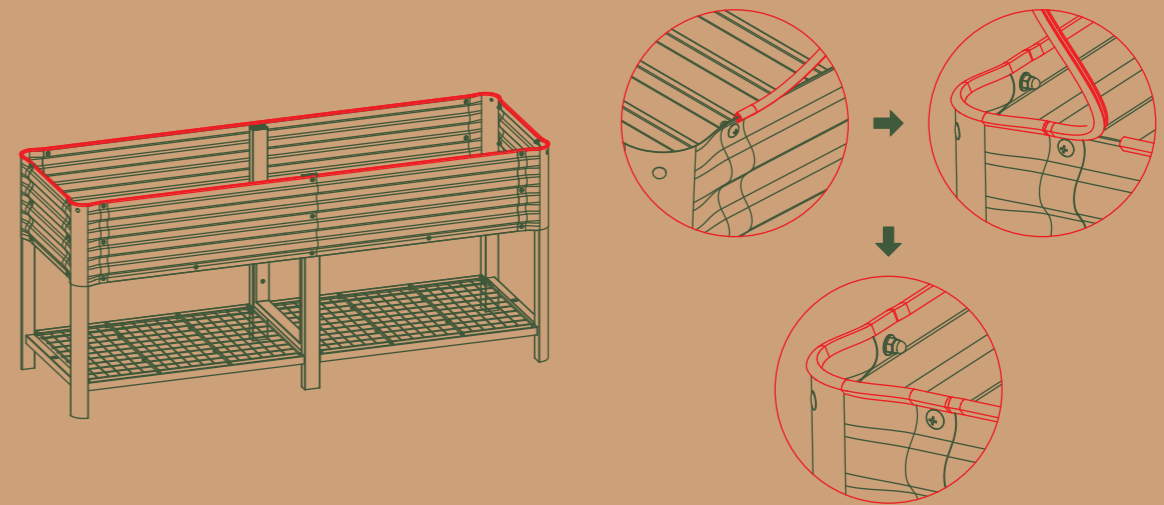
10 Insert the metal rack into the holes on H6.

Note:

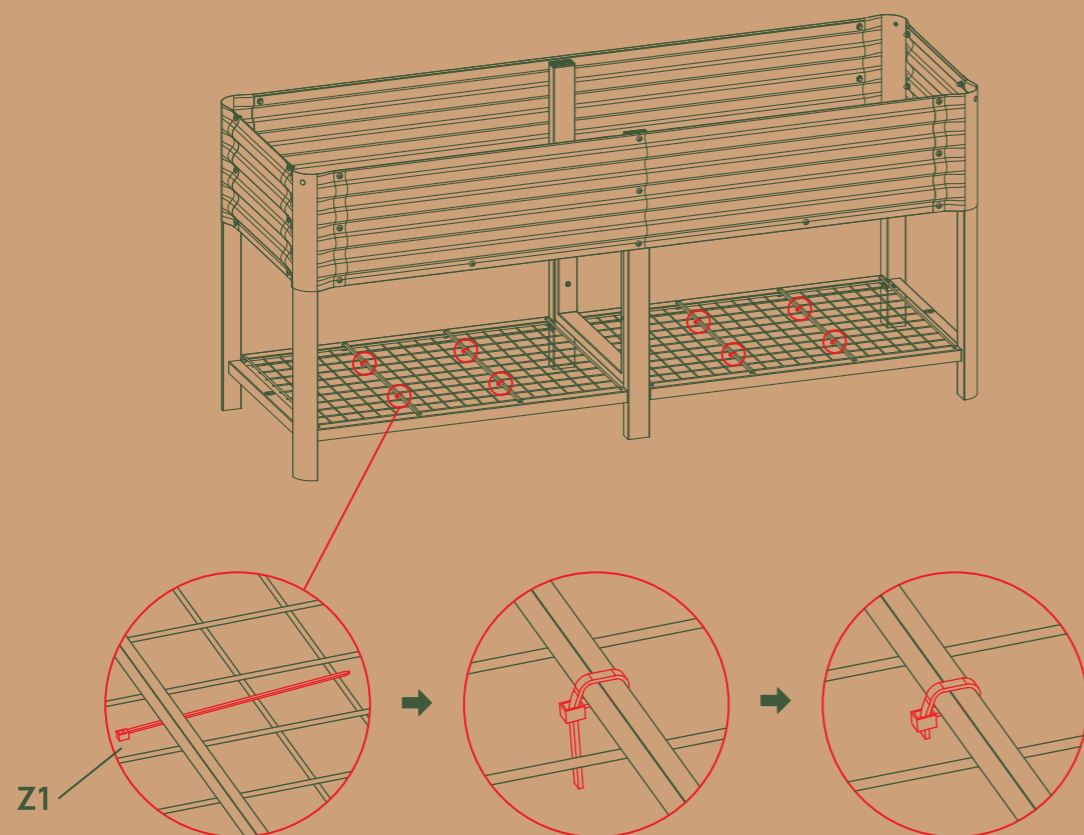
If the holes are misaligned when inserting the metal rack, gently rotate part H6 and try reinserting the rack.



12 Press the safety edging along the top edge of the bed to secure. Your Elevated Garden Bed is now assembled. Happy gardening!



11 Use the Z1 zip ties to secure the rack pieces to each other as shown.



Important Notice For Using the Casters

For optimal use, safety, and to prolong the lifespan of the casters please adhere to the follow guidelines:

- Always engage the casters' brakes when the garden bed is stationary to prevent unintended movement.
- Avoid depressions or grooves deeper than 0.4 inches, as they may cause the casters to become unstable.
- Remove any small stones, debris, or obstacles that could hinder movement or damage the casters over time.
- Use only on the suitable surfaces listed below.

● Suitable Surfaces

- Flat, stable surfaces
- Concrete
- Wooden & composite decks
- Paved tiles

● Unsuitable Surfaces

- Sloped or inclined surfaces
- Soft surfaces such as grass, soil, or sand
- Uneven gravel or rocky areas