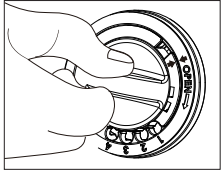
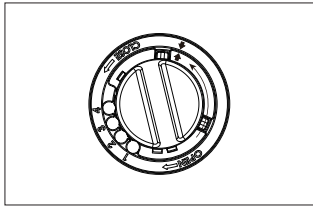


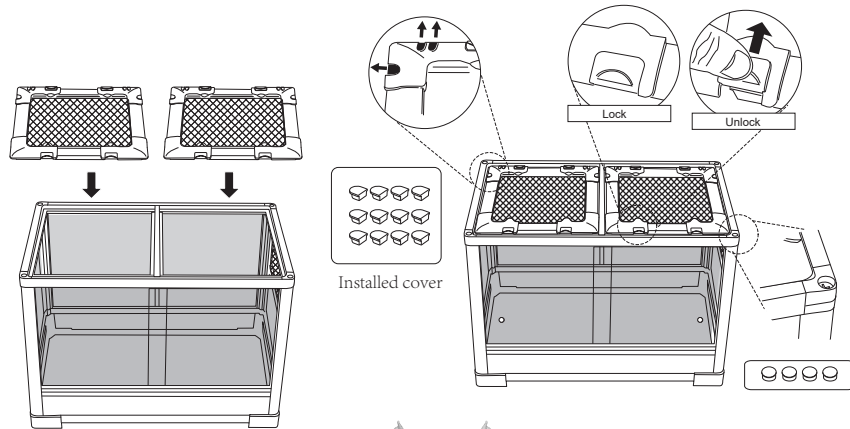
• Please align the arrow and install A into B.



• Please follow the direction "CLOSE" and rotate it to lock.



7. Install top metal ventilation mesh and the 4 rubber caps on top of the screws to cover the screws.

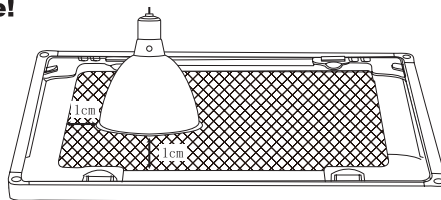


WARNING

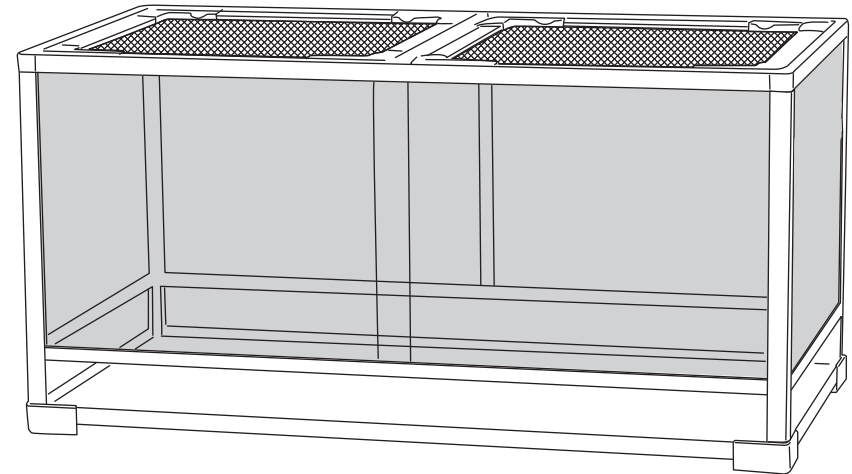
The distance between the plastic frame on top of the terrarium to the edge of the heat lamp metal dome must be a minimum of 1cm, this is to prevent the burning of the plastic frame from the heat of the heat lamp metal dome.



Done!

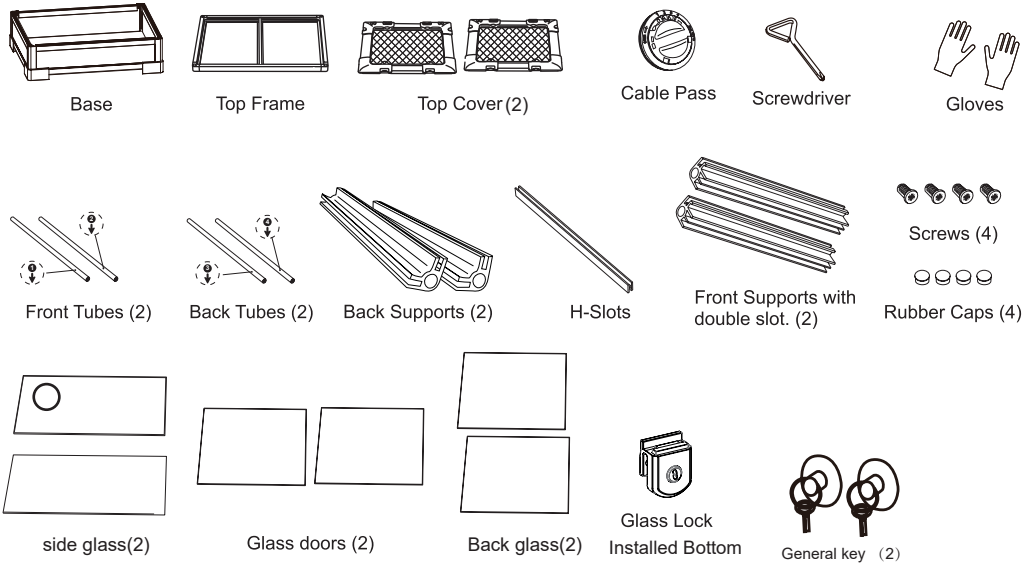


SLIDING DOORS TERRARIUMS INSTRUCTION MANUAL



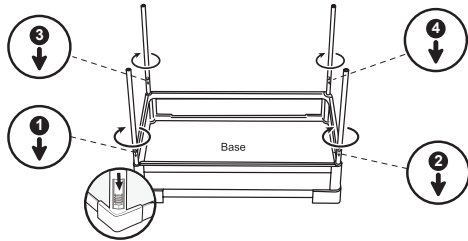
Thanks for choosing our company's products. In order to use this product properly and ensure its service life, please read the instructions book carefully before using it.

PARTS LIST

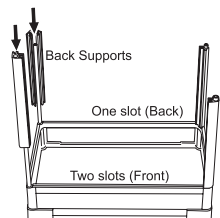


INSTALLATION INSTRUCTIONS

1. Install the threaded metal tubes provided to the base. First check the Numbers and Arrow marks on the metal tube, and firmly screw the metal tubes in turn onto the base of the terrarium.

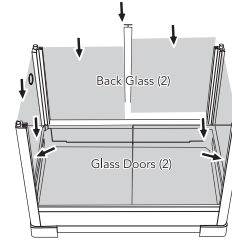


2. Place the two back supports to the left and right. And then place the front supports, please note that the front supports with double slot.

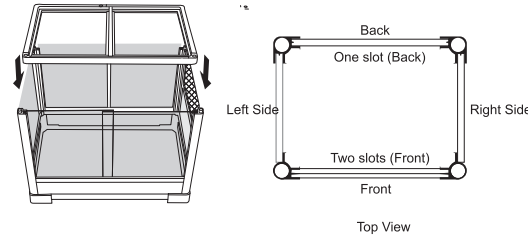


1

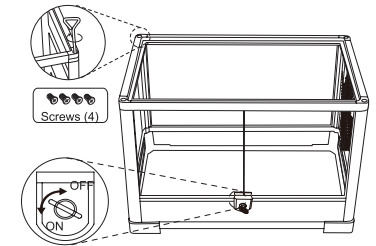
3. Install back glass and side glass panels.



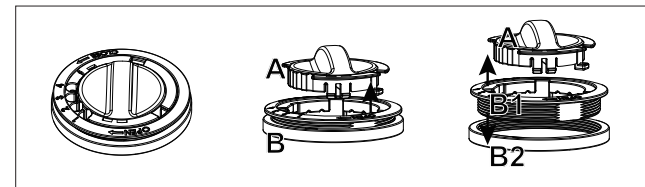
4. When all the four sides have been installed, place the top frame without the top metal ventilation mesh. Make sure that the top frame sits in properly.



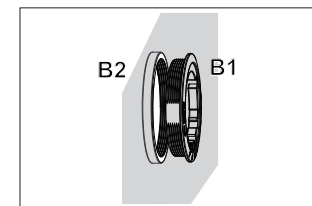
5. Screw the 4 screws firmly onto the metal tubes and then fix the glass lock in the front glass panel.



6. Split one full set into 3 separate parts.



• Put B1 outside of terrarium and B2 inside of terrarium and then rotate B2 clockwise.



2