



ASSEMBLY INSTRUCTIONS

UltraHD® Stacking Top Cabinet

(Model No. UHD20260T, UHD20261T, UHD20061T, UHD20062T)

Granite

Graphite

White

Red

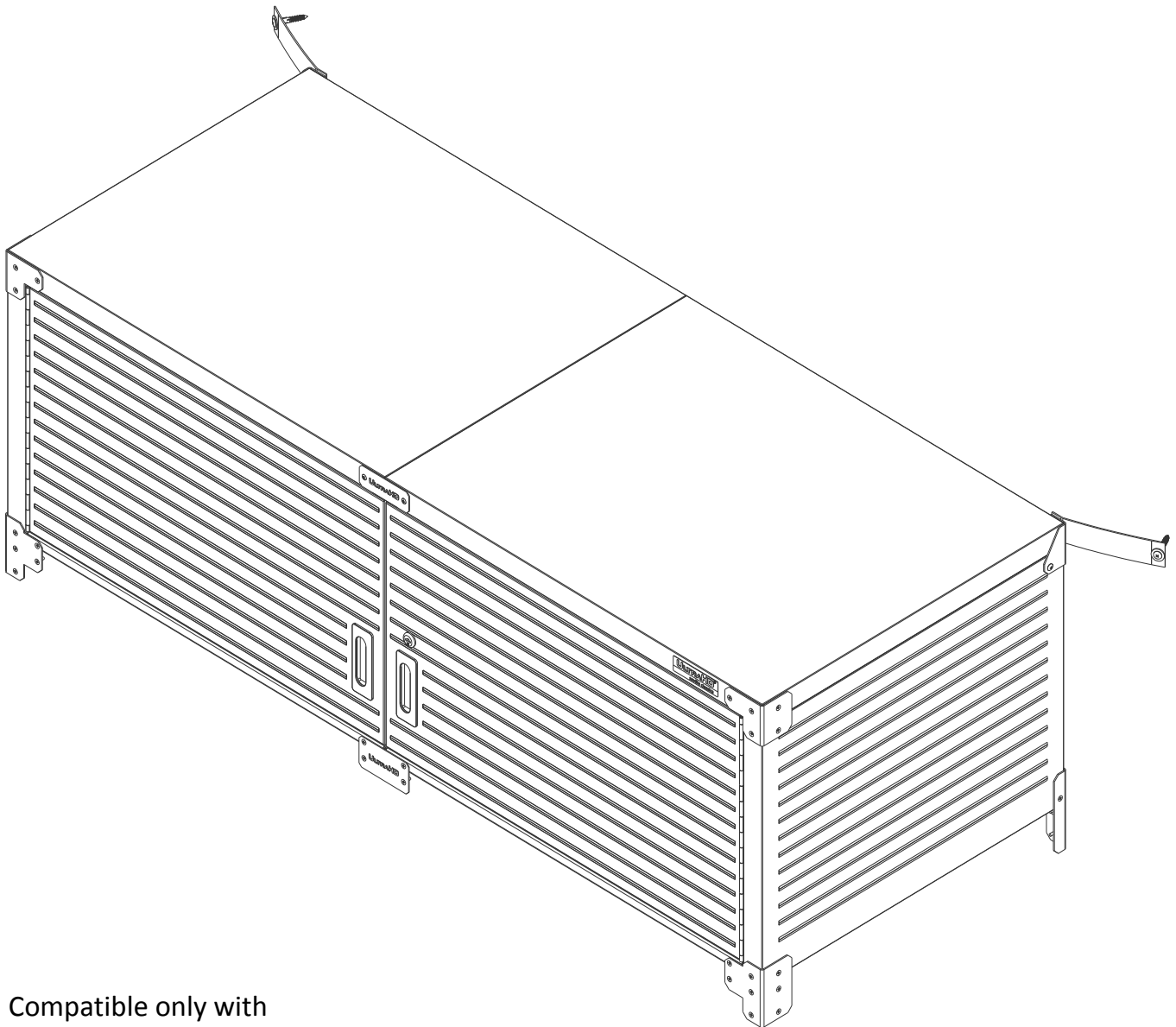
60in. W x 24in. D x 18.5in. H

(152.4cm x 60.96cm x 47cm H)

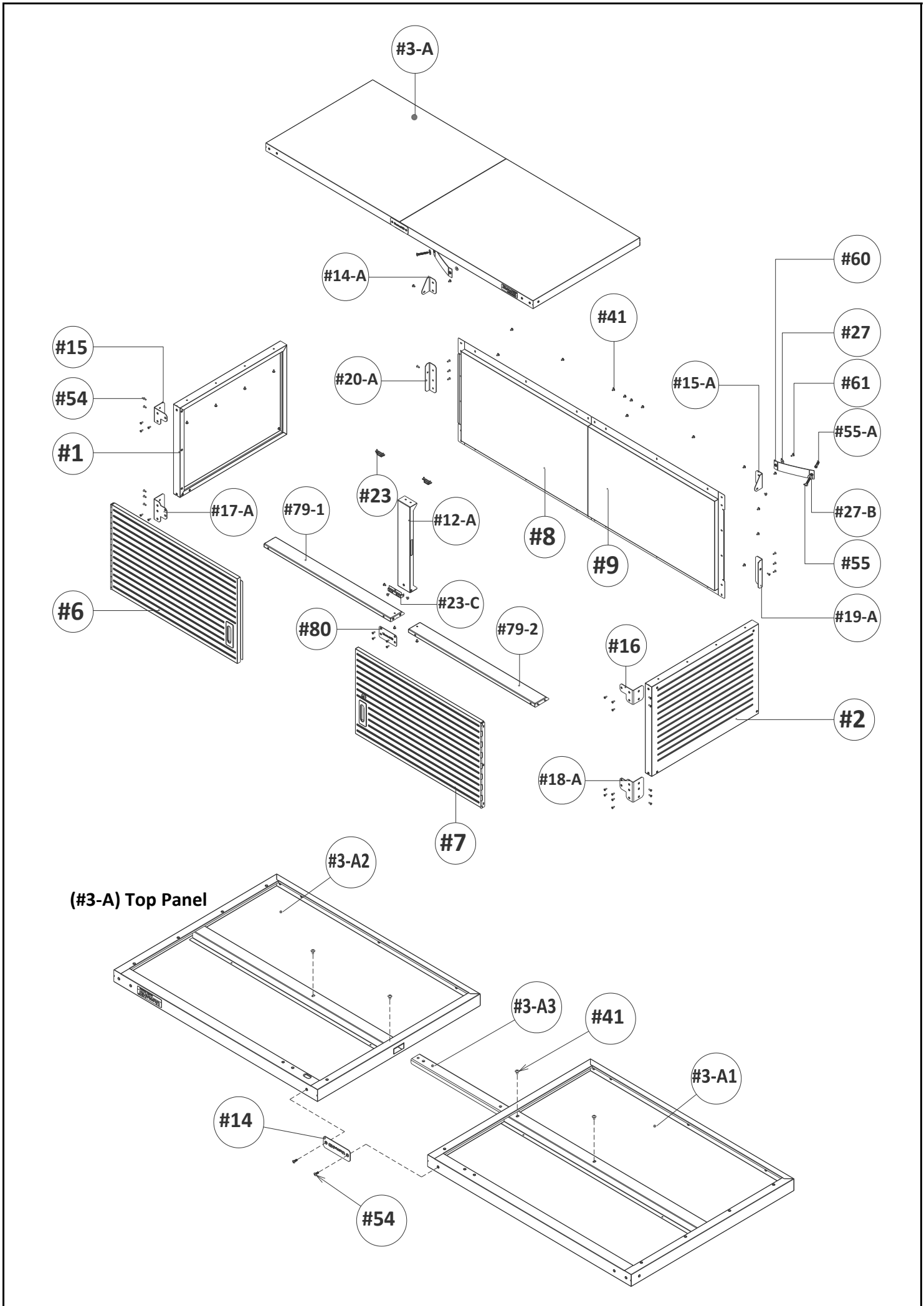
ULTRAGUARD®

FINGERPRINT RESISTANT SURFACES
AND INCREASED DURABILITY

Reference page 9 for special care
and maintenance of stainless steel

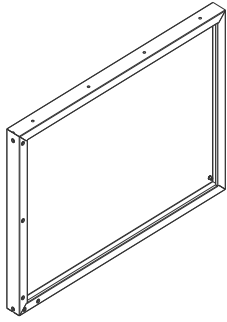


Compatible only with
Seville Classics® UltraHD®
60"W x 24"D Storage Cabinets
(See Page 10)

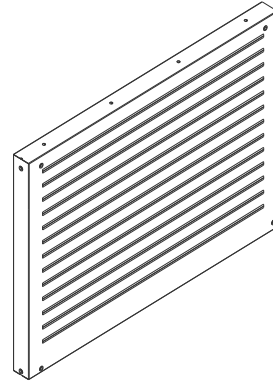


PARTS LIST

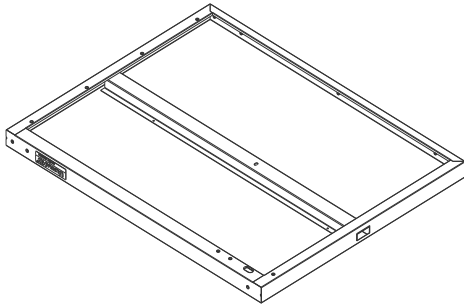
Please check the parts carefully according to the parts list. If you are missing any parts, please call our customer service department (please see page 11.)



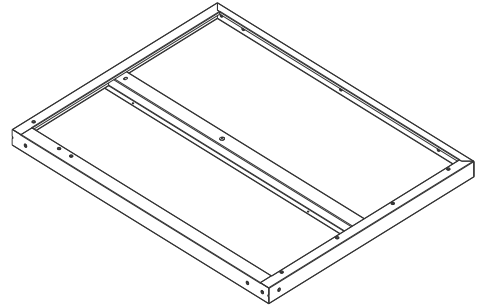
(#1) Left Panel x 1 PC



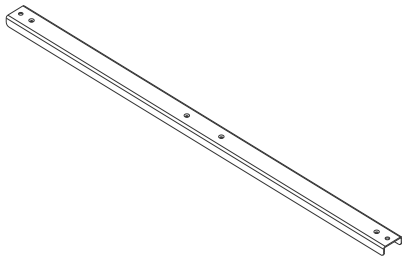
(#2) Right Panel x 1 PC



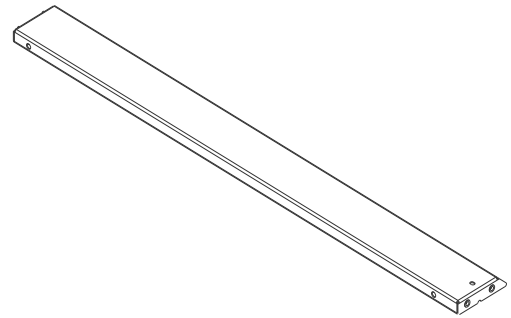
(#3-A2) Right -Top Panel x 1 PC



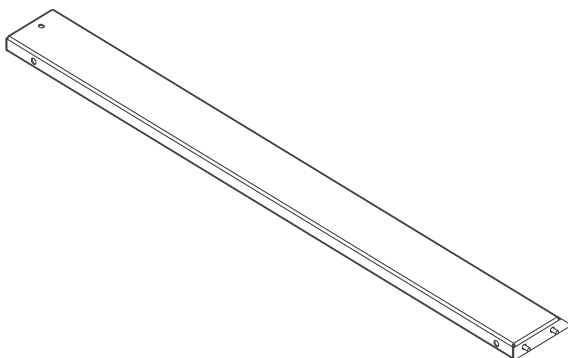
(#3-A1) Left-Top Panel x 1 PC



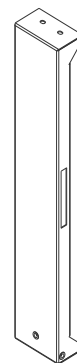
(#3-A3) Top / Bottom Panel Connection Part x 1 PC



(#79-1) Left - Bottom Panel Connection Part x 1 PC



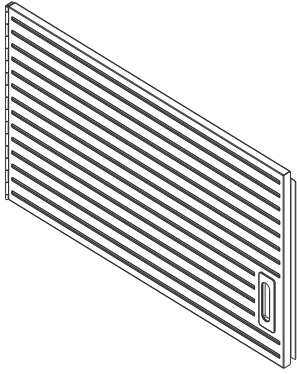
(#79-2) Right - Bottom Panel Connection Part x 1 PC



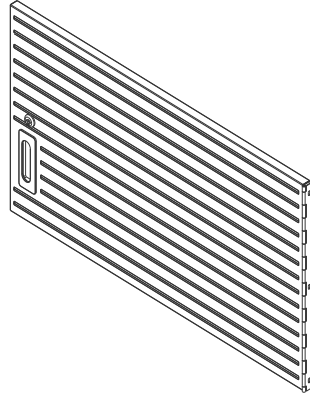
(#12-A) Front Middle Post x 1 PC

PARTS LIST

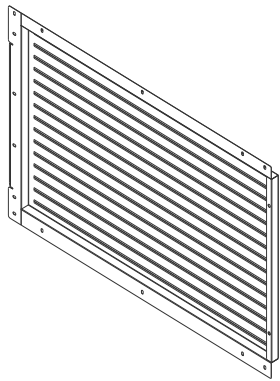
Please check the parts carefully according to the parts list. If you are missing any parts, please call our customer service department (please see page 11.)



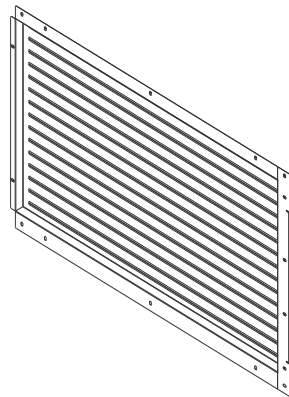
(#6) Left Door Panel x 1 PC



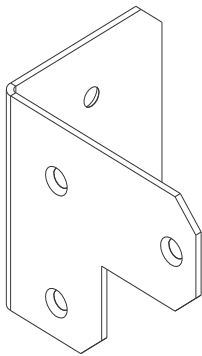
(#7) Right Door Panel x 1 PC



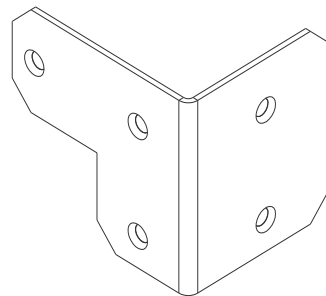
(#8) Left -Back Panel x 1 PC



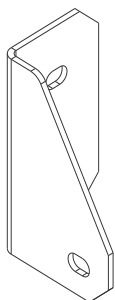
(#9) Right-Back Panel x 1 PC



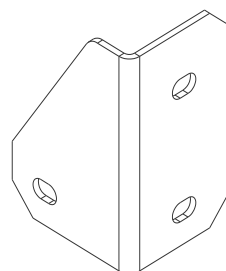
(#15) Corner Protection - A x 1 PC



(#16) Corner Protection - B x 1 PC



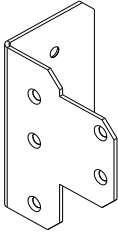
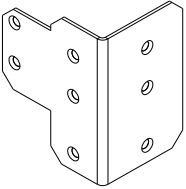
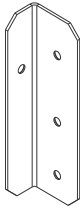
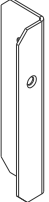
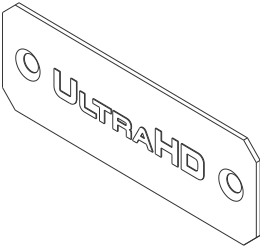
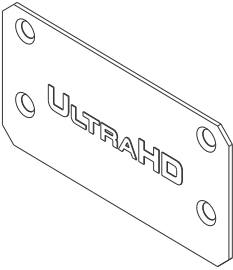
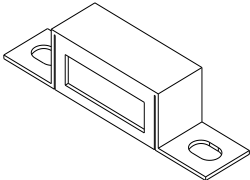
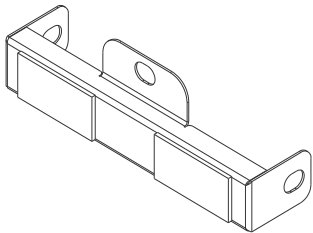
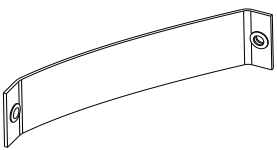
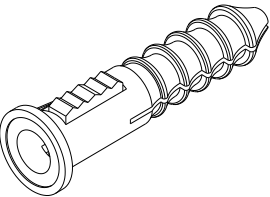
(#14-A) Left Back Upper Corner Protection x 1 PC



(#15-A) Right Back Upper Corner Protection x 1 PC

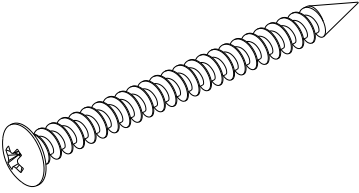
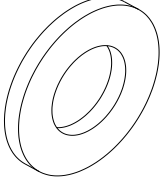
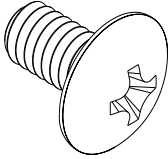
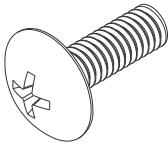
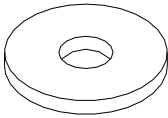
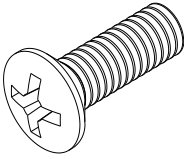
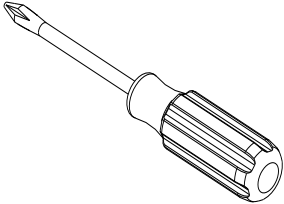
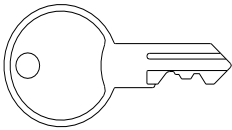
PARTS LIST

Please check the parts carefully according to the parts list. If you are missing any parts, please call our customer service department (please see page 11.)

	
<p>(#17-A) Left Front Bottom Corner Protection x 1 PC</p>	<p>(#18-A) Right Front Bottom Corner Protection x 1 PC</p>
	
<p>(#20-A) Left Back Bottom Corner Protection x 1 PC</p>	<p>(#19-A) Right Back Bottom Corner Protection x 1 PC</p>
	
<p>(#14) LOGO Connection Part x 1 PC</p>	<p>(#80) Bottom -LOGO Connection Part x 1 PC</p>
	
<p>(#23) Magnet x 2 PCS</p>	<p>(#23-C) Column Magnet x 1 PC</p>
	
<p>(#60) Mounting Strap x 2 PCS</p>	<p>(#55-A) Wall Anchor x 2 PCS</p>

PARTS LIST

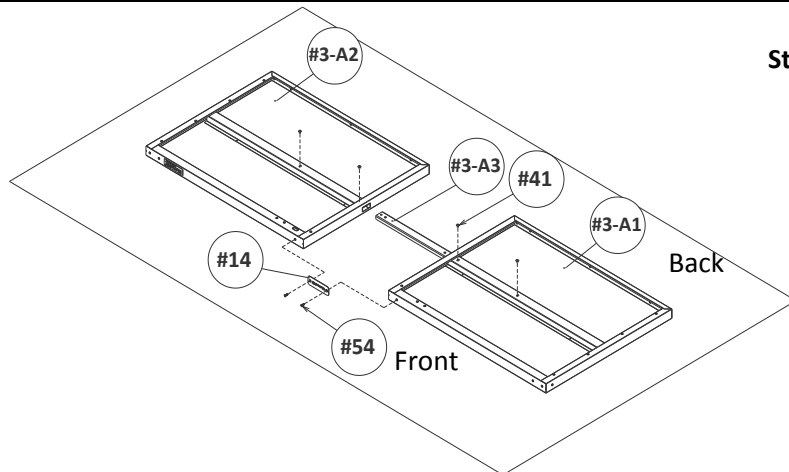
Please check the parts carefully according to the parts list. If you are missing any parts, please call our customer service department (please see page 11.)

	
(#55) Screw M (M6 x 50L) x 2 PCS	(#27-B) Washer (M8) x 2 PCS
	
(#41) Screw F (M4 x 8L) x 61 PCS	(#61) Screw O (M4 x 12L) x 2 PCS
	
(#27) Washer (M4) x 2 PCS	(#54) Screw N (M4 x 10L) x 40 PCS
	
(#21) Screw Driver x 1 PC	(#22) Key x 2 PCS

UltraHD® Stacking Top Cabinet (Model No. UHD20260T, UHD20261T, UHD20061T, UHD20062T)

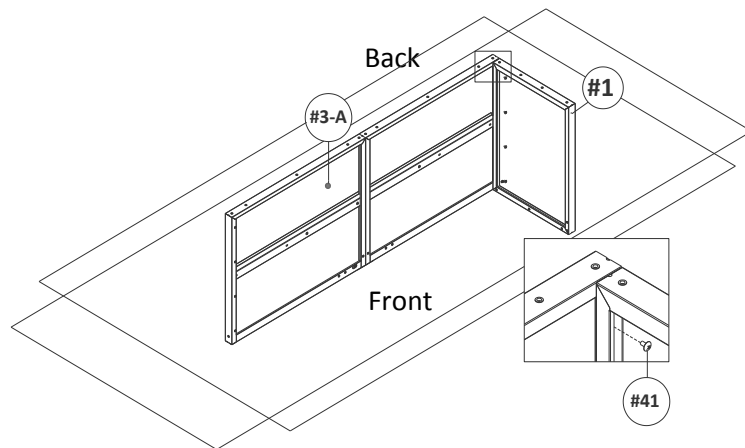


NOTE: We recommend using TWO people to assemble the cabinet



Step 1: Install Top Panel (#3-A)

- 1). Insert the Top / Bottom Panel Connection Part (#3-A3) into the Left Top Panel (#3-A1), line up screw holes, and use 2 pcs of Screw F (#41) to tighten.
- 2). Insert the Right Top Panel (#3-A2) with the Top / Bottom Panel Connection Part (#3-A3) and Left Top Panel (#3-A1). Line up screw holes, and use 2 pcs of (#41) Screw F to tighten.
- 3). Attach the Logo Connection Part (#14) to the edge of the Left Top Panel and Right Top Panel. Line up screw holes, and use 2 pcs of Screw N (#54) to tighten.

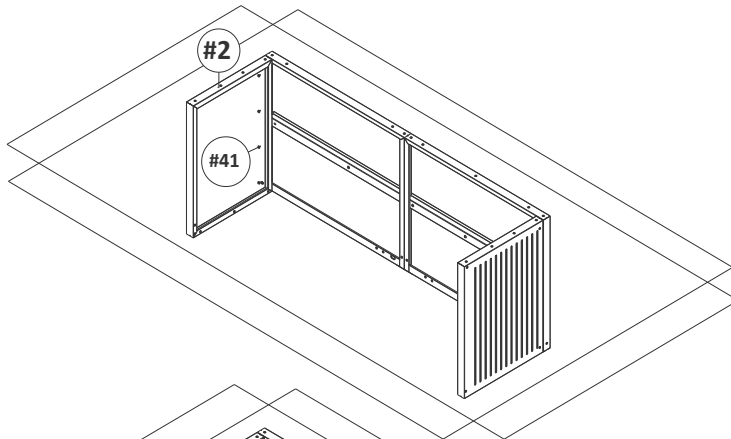


Step 2: Install Left Side Panel (#1)

Attach the Left Side Panel (#1) to the Top Panel (#3-A), line up screw holes, use 4 pcs of Screw F (#41) to tighten.

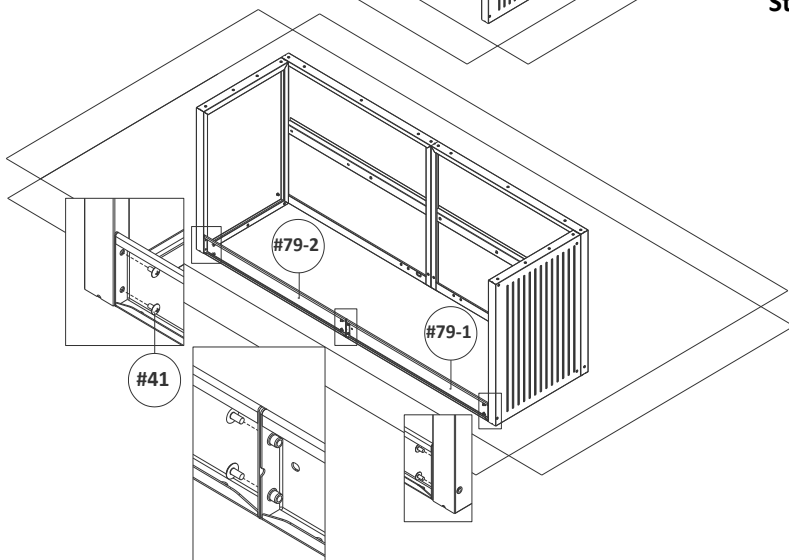
Step 3: Install Right Side Panel (#2)

Attach the Left Side Panel (#2) to the Top Panel (#3-A), line up screw holes, use 4 pcs of Screw F (#41) to tighten.



Step 4: Install Left & Right - Bottom Panel Connection Part (#79-1) & (#79-2)

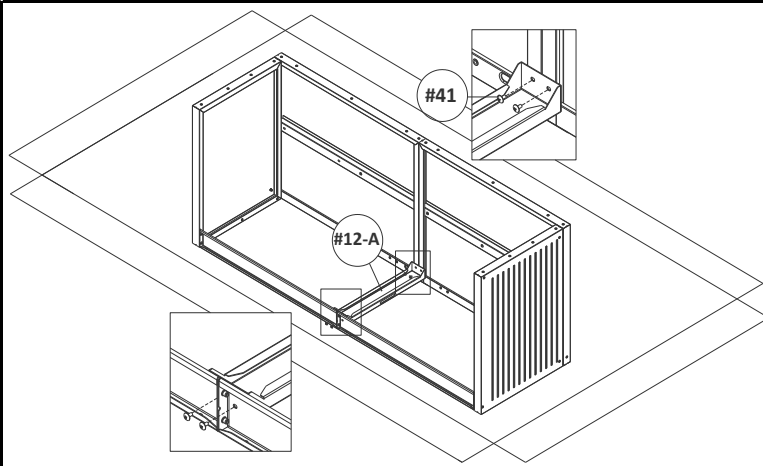
1. Attach Left - Bottom Panel Connection Part (#79-1) to the Left Side Panel (#1), line up screw holes, use 2 pcs of Screw F (#41) to tighten.
2. Attach Right - Bottom Panel Connection Part (#79-2) to the Right Side Panel (#2), line up screw holes, use 2 pcs of Screw F (#41) to tighten.
3. To connect the Left & Right - Bottom Panel Connection Part (#79-1) & (#79-2), line up screw holes, then use 2 pcs of Screw F (#41) to tighten the middle connection.



UltraHD® Stacking Top Cabinet (Model No. UHD20260T, UHD20261T, UHD20061T, UHD20062T)



NOTE: We recommend using TWO people to assemble the cabinet



Step 5: Install Front Post (#12-A)

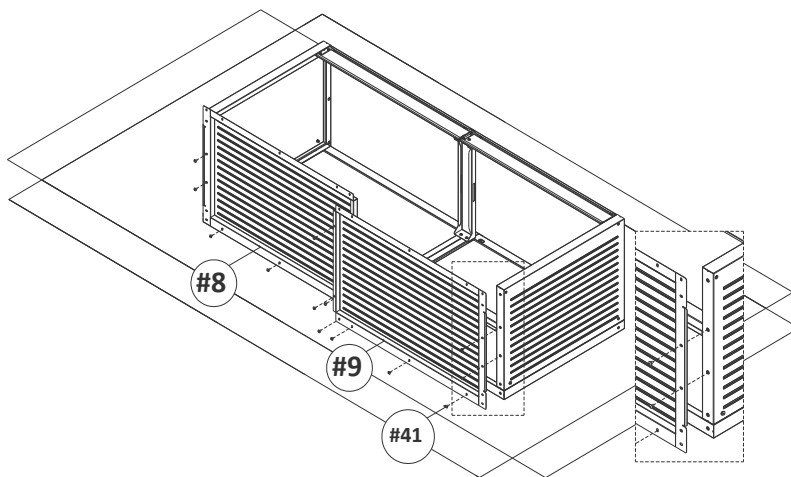
Attached the Front Post Connection Part (#12-A2) with the Top / Bottom Panel Connection Part, line up screw holes, use 4 pcs of Screw F (#41) to tighten.

Step 6: Install Back Panels (#8) (#9)

(1) Attach the Left Back Panel (#8) to the Top panel and Left Side panel as the left illustration shows. Line up screw holes, and use 6 pcs of Screw F (#41) to tighten.

(2) Attach the Right Back Panel (#9) to the Top panel and Right Side panel and Left Back panel as the left illustration shows. Line up screw holes, and use 8 pcs of Screw F (#41) to tighten.

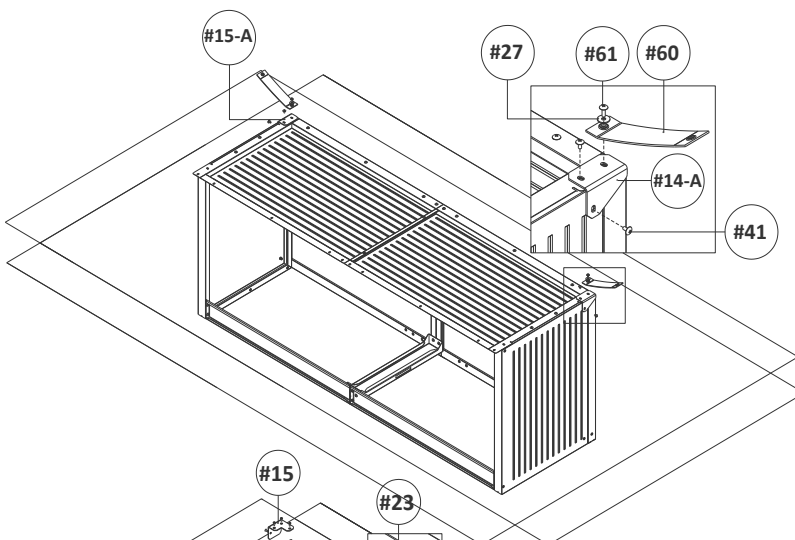
Note: Do not tighten the two screws at each of the top 4 corners illustrated on the left. These screws will be tighten in the next steps.



Step 7: Install Left & Right Back Upper Corner Protection (#14-A, #15-A) and Mounting Strap (#60)

1). Attach the Left & Right Back Upper Corner Protection (#14-A, #15-A) onto upper back corner of the cabinet as the left photo, use 4 pcs Screw F (#41) to tighten. Do not fully tighten the screws.

2). Attach the Mounting Strap (#60) to the back Corner Protection brackets as the left illustration shows, use Screw O (#61) and Washer (#27) to tighten. Then tighten all screws



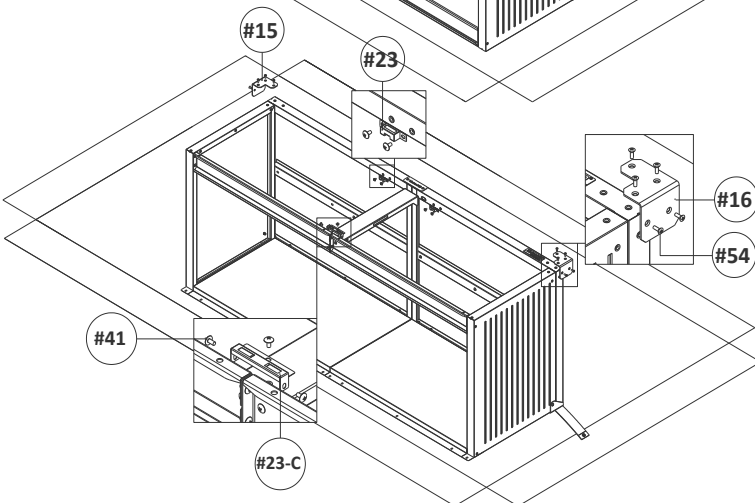
Step 8: Install Magnet (#23), Column Magnet (#23-C) and Corner Protections (#15, #16)

(1) Flip the Cabinet Stacker over as shown in the left illustration.

(2) Attach Corner Protections (#15, #16) to upper front corner of the cabinet as the left illustration, line up screw holes, use 10 pcs of Screw N (#54) to tighten.

(3) Place Magnet (#23) onto Top Panel (#3-A), use 4 pcs of Screw F (#41) to tighten.

(4) Place Column Magnet (#23-C) onto the Front Middle Post, use 3 pcs of Screw F (#41) to tighten.



UltraHD® Stacking Top Cabinet (Model No. UHD20260T, UHD20261T, UHD20061T, UHD20062T)



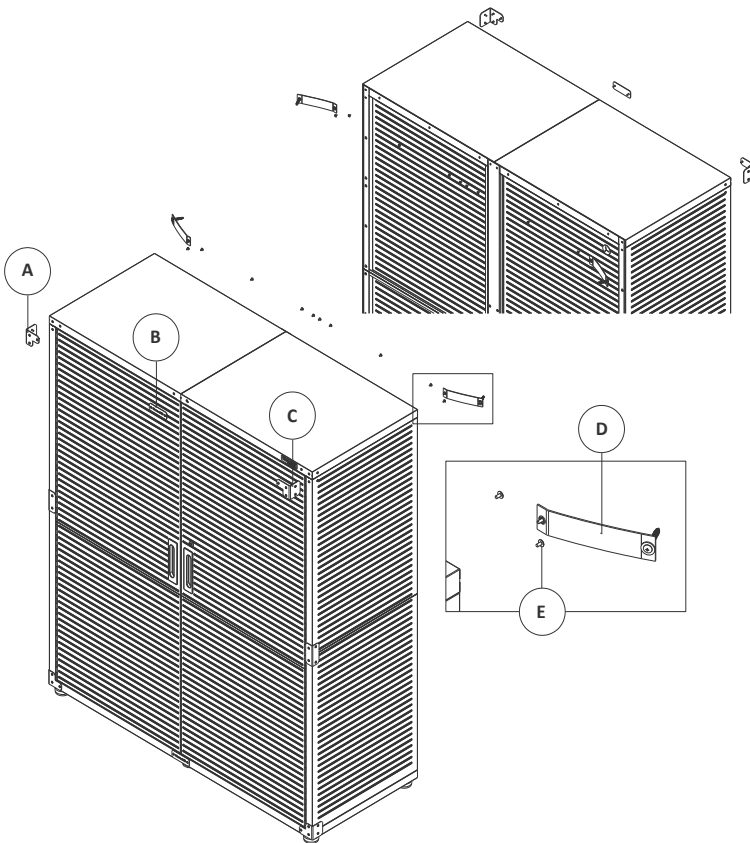
NOTE: We recommend using TWO people to assemble the cabinet



Step 9: Take out corner protection brackets and screws off of Storage Cabinet (Model # UHDK20061B/ UHDK20062B/ UHDK20260B/ UHDK20261B)

(1) As shown in the left illustration, take out 3 pcs of corner protection brackets and screws (A,B & C) from the front of the Storage Cabinet Model # UHDK20061B/ UHDK20062B/ UHDK20260B/ UHDK20261B.

(2)As shown in the left illustration, take out 12 pcs of screws (D & E) from the back of Storage Cabinet.



Step 10: Attach Stacking Top Cabinet on top of Storage Cabinet (Model # UHDK20061B/ UHDK20062B/ UHDK20260B/ UHDK20261B), install corner protections (#17-A & 18-A) and bottom logo connection part (#80) and corner protection brackets (#20-A & 19-A).

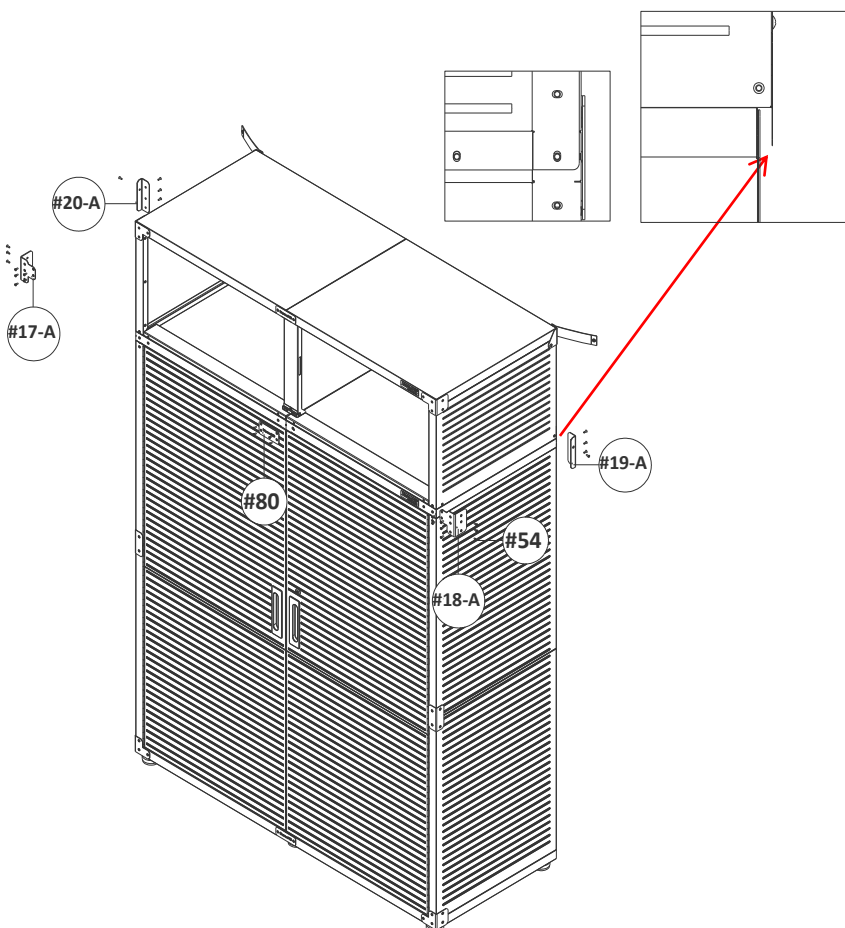
This step needs TWO people to assemble.

(1) Attach the Stacking Top Cabinet on top of the Storage Cabinet (Model # UHDK20061B/ UHDK20062B/ UHDK20260B/ UHDK20261B), as shown in the left illustration.

(2)Attach the corner protection brackets (#17-A & 18-A) as shown in the left illustration, line the screw holes, use 16 pcs of screw N (#54) to tighten the Stacking Top Cabinet and the Storage Cabinet together. Do not fully tighten the screws.

(3) Attach the bottom logo connection part (#80) as shown in the left illustration line up screw holes, use 4 pcs of screw N (#54). Do not fully tighten the screws.

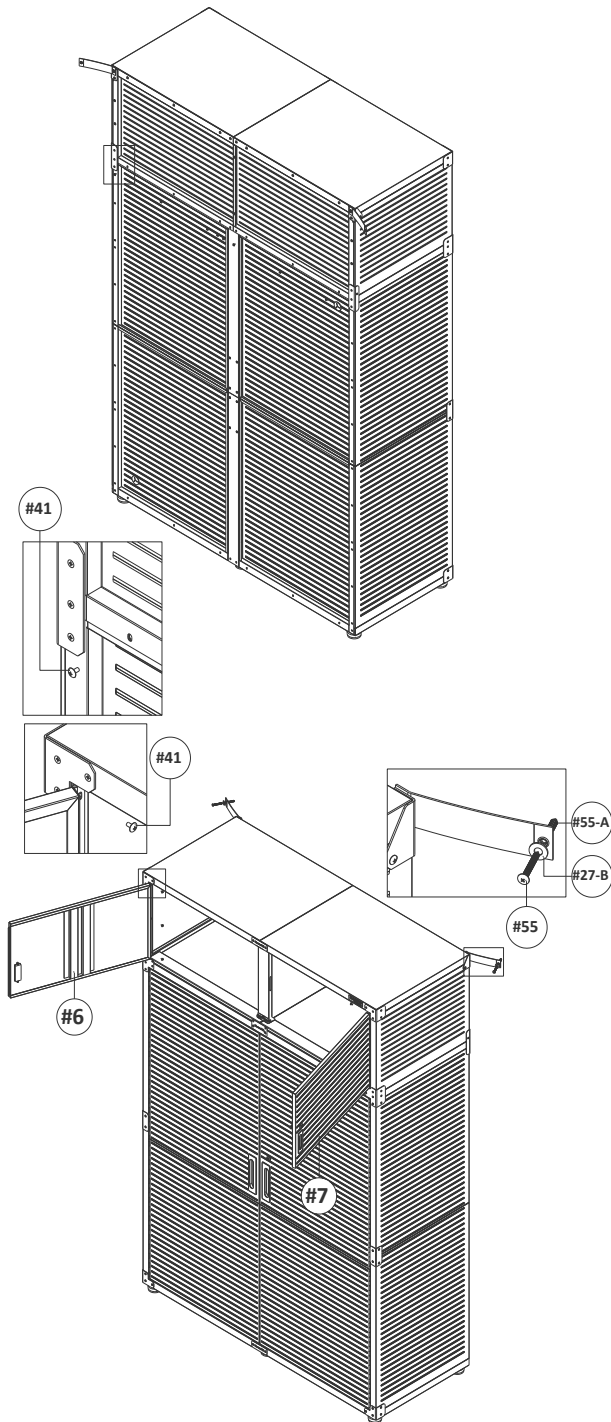
(4) Attach the corner protection brackets (#20-A & 19-A) as shown in the left illustration line up screw holes, and use 8 pcs of screw N (#54). Do not fully tighten the screws.



UltraHD® Stacking Top Cabinet (Model No. UHD20260T, UHD20261T, UHD20061T, UHD20062T)



NOTE: We recommend using TWO people to assemble the cabinet



Step 11: Connecting screws at the back of Stacking Top Cabinet and Storage Cabinet (Model # UHDK20061B/ UHDK20062B/ UHDK20260B/ UHDK20261B).

Use 8 pcs of screw F (#41) to tighten the back of Stacking Top Cabinet and Storage Cabinet Model # UHDK20061B/ UHDK20062B/UHDK20260B/ UHDK20261B.

Note: tighten all the screws in this step (screws included in step 9)

Step 12: Install Doors (#6 & #7)

(1) Attach the Left Door (#6) to the Left Panel. Use 3 pcs of Screw F (#41) to tighten.

(2) Attach the Right door panel (#7) to the Right Panel. Use 3 pcs of Screw F (#41) to tighten.

Note: The screw holes on the door hinge have tolerance, allowing the door to be adjusted and centered in the door frame. Place top, the middle and bottom screws first. Do not tighten screws completely - this makes it easier to adjust the doors so that they are level.

(3) Drill a hole in the wall with a 5/16" drill bit, insert the Wall Anchor (#55-A) into the hole, attach the other end of the Mounting Strap (#60) to the wall using Screw M (#55) and Washer (#27-B).

UltraHD® Stainless Steel Care Instructions

The stainless steel is protected with UltraGuard® fingerprint resistant finish. DO NOT use traditional stainless-steel cleaners. To safely manage unwanted fingerprints and prevent new stains, perform the following steps once monthly:

- Lightly wipe with warm water and clean microfiber cloth
- Always wipe in the direction of the surface grain (NEVER ACROSS)
- Wipe away excess water with dry clean cloth

UltraHD® Stacking Top Cabinet (Model No. UHD20260T, UHD20261T, UHD20061T, UHD20062T)

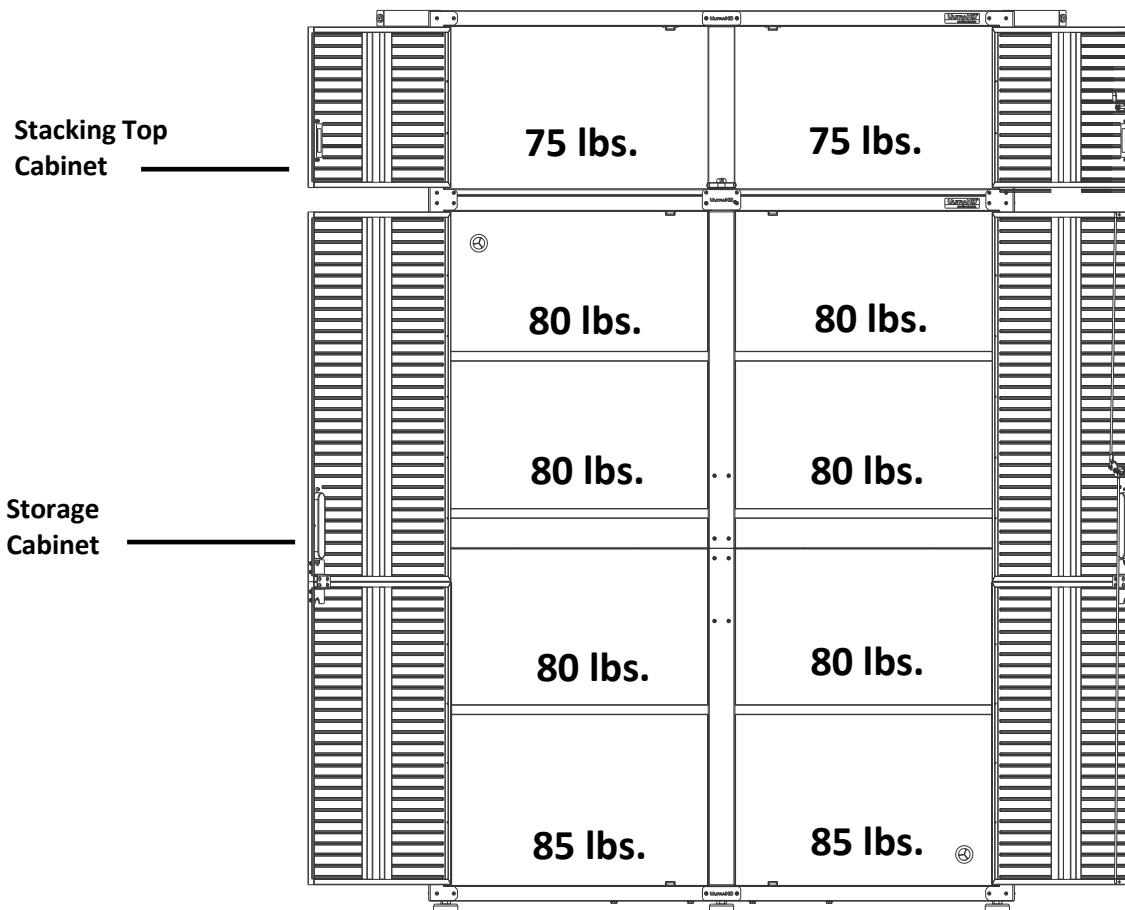


NOTE: We recommend using TWO people to assemble the cabinet



Compatibility List		
Stacking Top Cabinet 60"W x 24" D x 18.5" H	Storage Cabinet 60"W x 24" D x 72" H	Color Finish
UHD20061T	UHDK20061B	White
UHD20062T	UHDK20062B	Red
UHD20260T	UHDK20260B	Granite
UHD20261T	UHDK20261B	Graphite

Weight Capacity Evenly Distributed



Total Weight Capacity Stacking Top Cabinet + Compatible Storage Cabinet on Leveling Feet	Weight Capacity Per Shelf
800 lbs.	150 lbs. - Stacking Top Cabinet 80 lbs. - Each adjustable shelf 170 lbs. - Bottom shelf

CONTACT INFORMATION

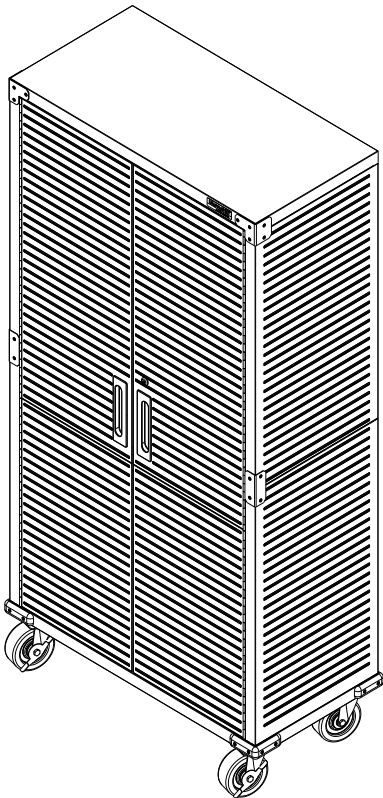
If you are missing any parts, have any questions, or need additional assistance in assembly, please contact our bilingual (English and Spanish) customer service department at:



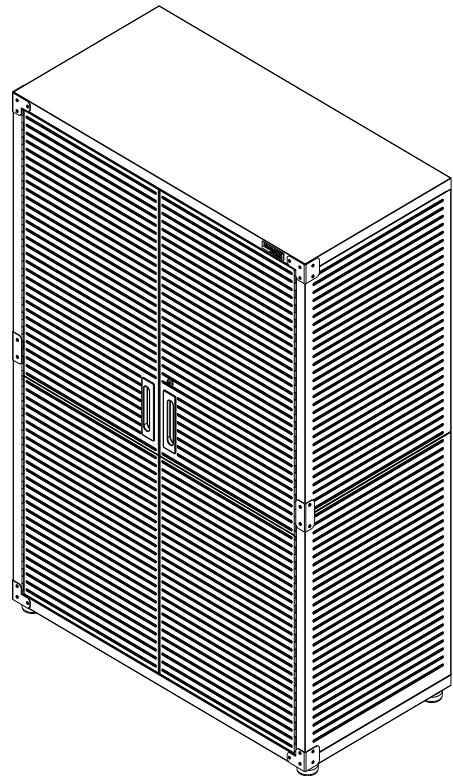
Seville Classics, Inc.
19401 Harborage Way Torrance, CA 90501 USA
Telephone: (800) 323-5565 within USA
Fax: (310) 533-3899
Hours: 8:30am - 4:30pm (Pacific Standard Time)
E-mail: support@sevilleclassics.com
Website & Online Store: www.sevilleclassics.com

*****Please visit our website or call and inquire about our additional UltraHD® Line*****

UltraHD® Line

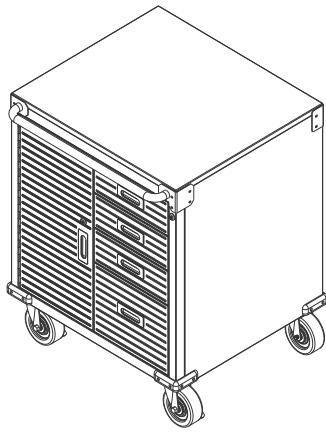


UltraHD® Tall Storage Cabinet
Model No. 16236 (Granite)
Model No. 20143 (Graphite)
Model No. 20153 (Red)
Model No. 20133 (White)



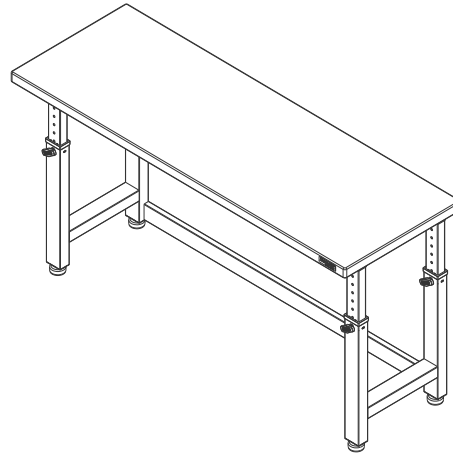
UltraHD® Mega Storage Cabinet
Model No. 16238 (Granite)
Model No. 20148 (Graphite)
Model No. 20158 (Red)
Model No. 20138 (White)

UltraHD® Line



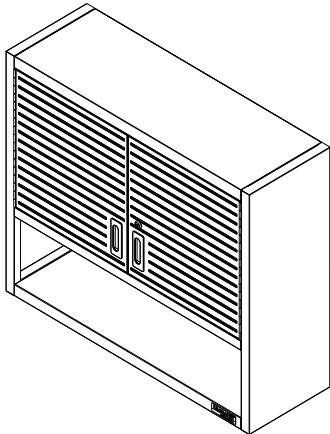
UltraHD® Rolling Cabinet

- Model No. 20225 (Granite)**
- Model No. 20081 (Graphite)**
- Model No. 20082 (Red)**
- Model No. 20083 (White)**



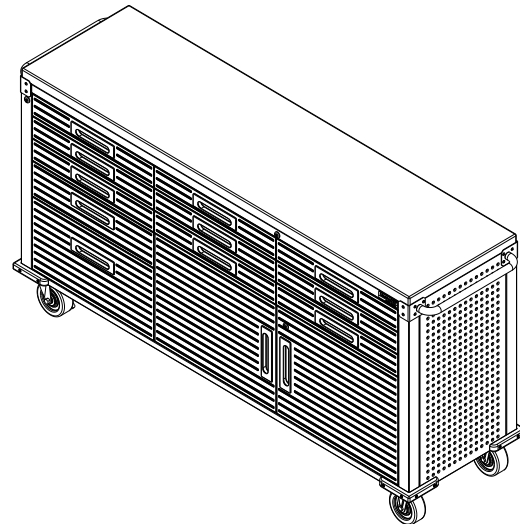
UltraHD® 6-Foot Height Adjustable Workbench

- Model No. 20292 (Granite)**
- Model No. 20293 (Graphite)**



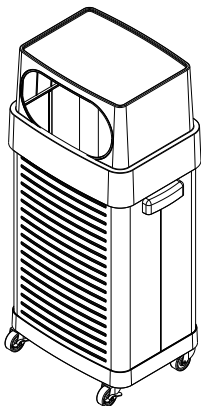
UltraHD® Wall Cabinet with Open Shelf

- Model No. 20230 (Granite)**
- Model No. 20140 (Graphite)**
- Model No. 20150 (Red)**
- Model No. 20130 (White)**



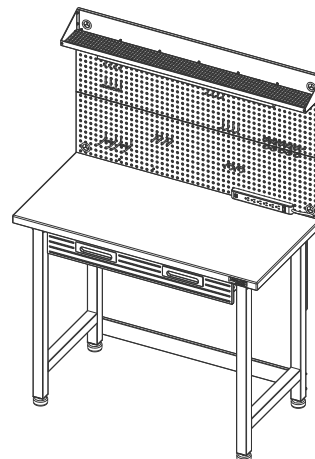
UltraHD® 2-Door Rolling Workbench

- Model No. 20262 (Granite)**
- Model No. 20142 (Graphite)**
- Model No. 20152 (Red)**



UltraHD® Rolling Trash Bin

- Model No. 20215**



UltraHD® Lighted Workcenter

- Model No. 20247 (Granite)**
- Model No. 20246 (Graphite)**
- Model No. 20157 (Red)**