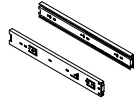
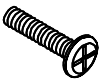
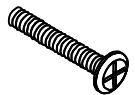
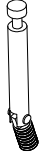

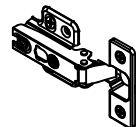


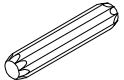

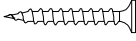
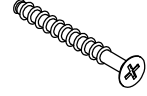
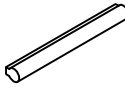


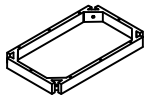
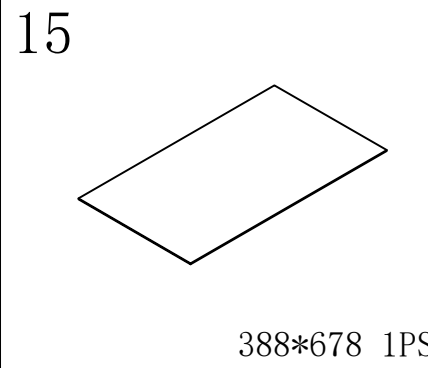
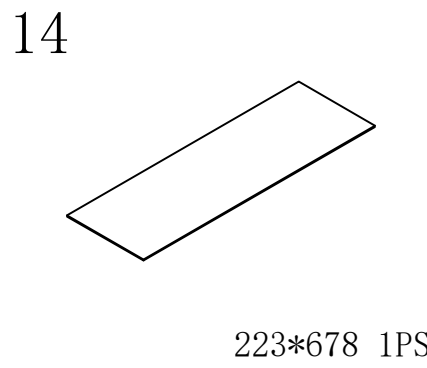
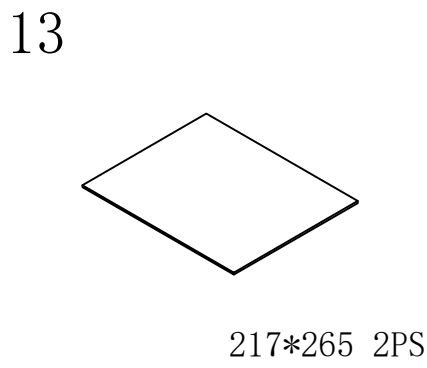
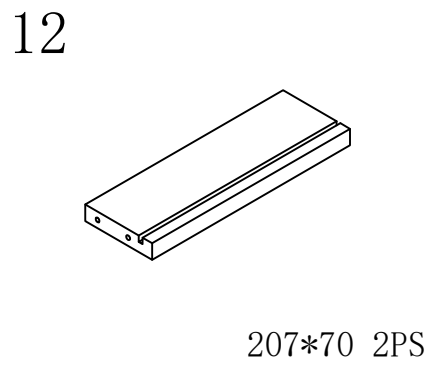
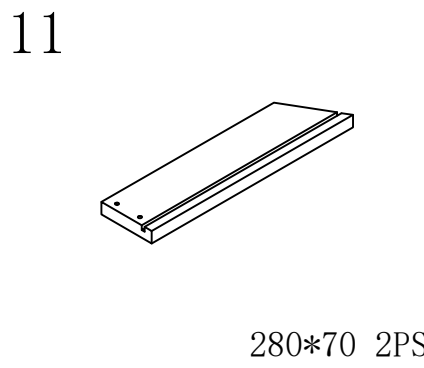
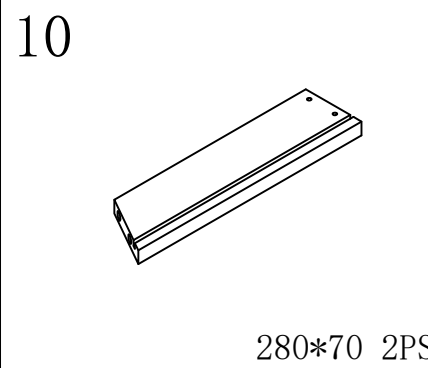
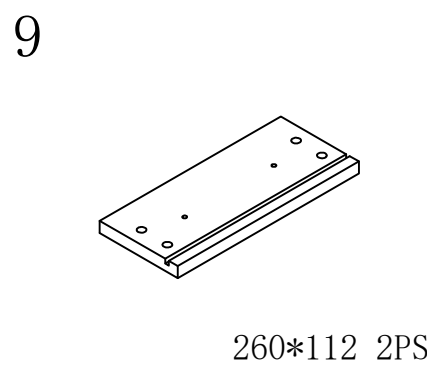
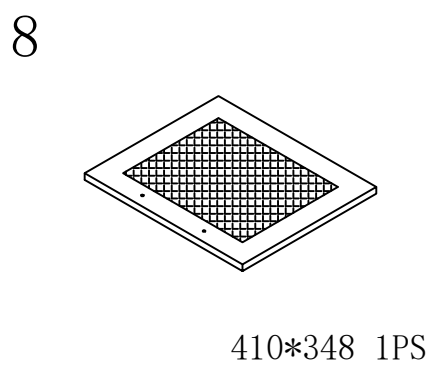
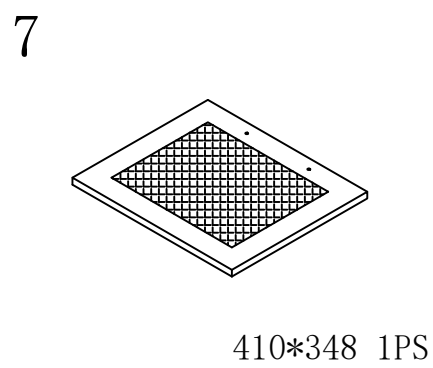
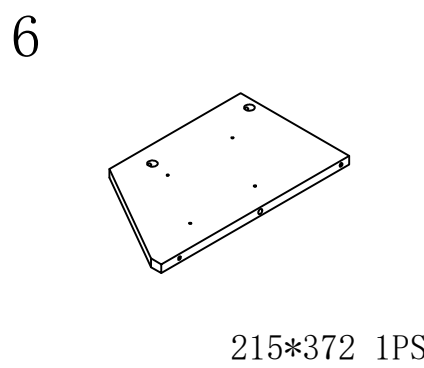
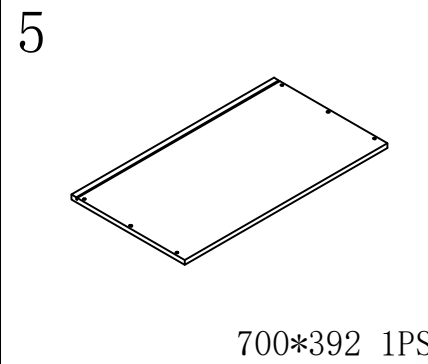
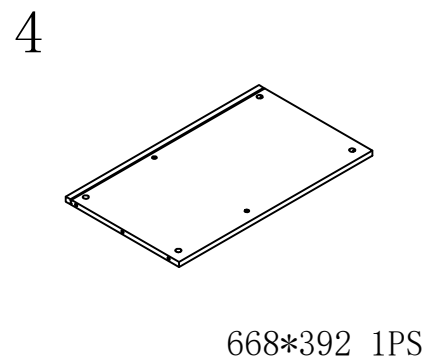
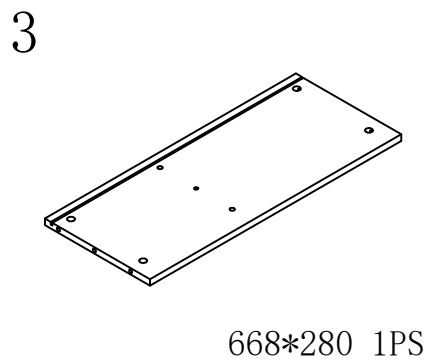
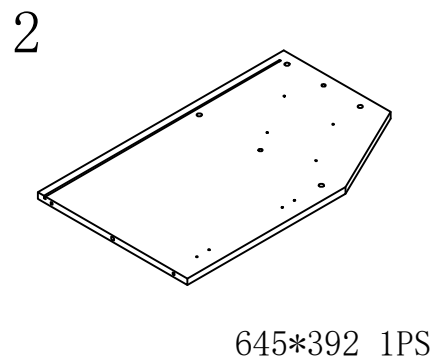
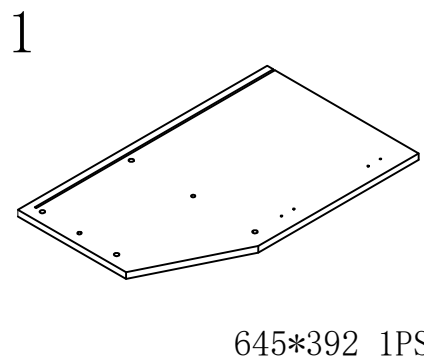


K 250mm  2PCS	L 6*30  8PCS	M 8*60  4PCS	N  8PCS	O  2PCS	P  4PCS				
A  10PCS	B  10PCS	C 8*40  8PCS	D 3.5*14  32PCS	E 3.5*35  8PCS	F  6PCS	G  2PCS	H 4*18  8PCS	I  4PCS	J  1PCS

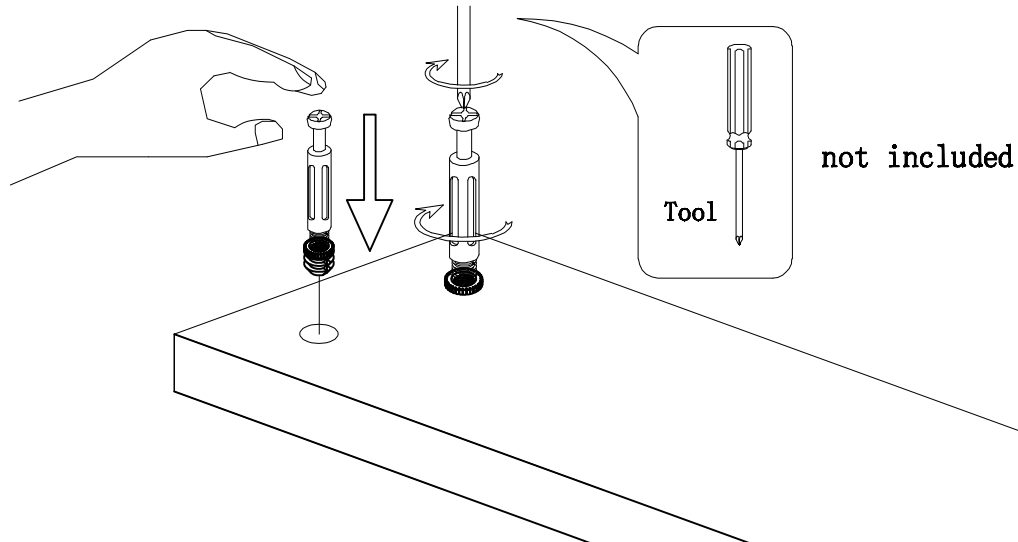




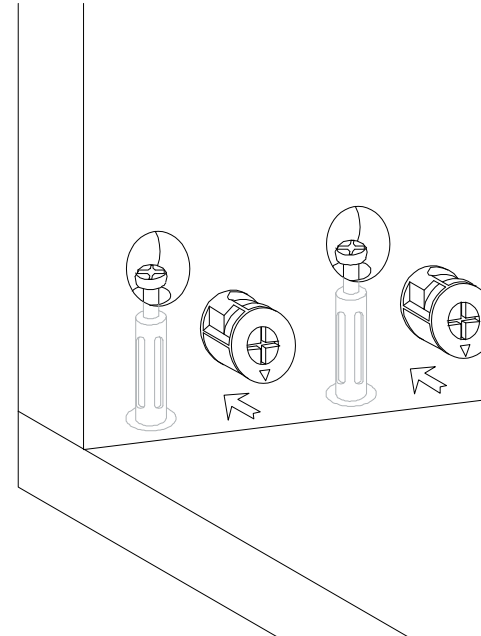
Hardware installation demonstration

NOTE: Please make sure "A" hardware tightened and can't be pulled out!

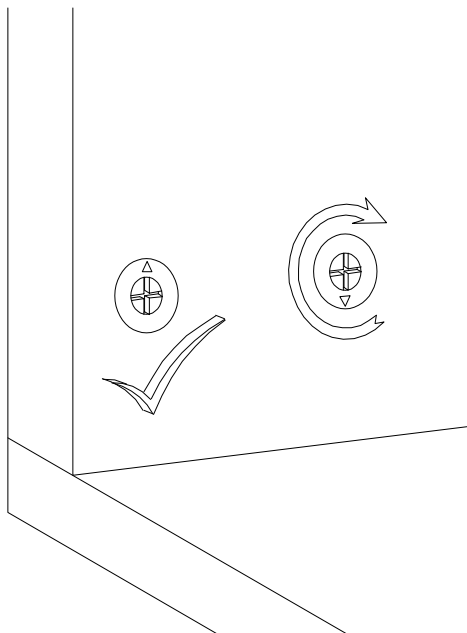
I



II



III

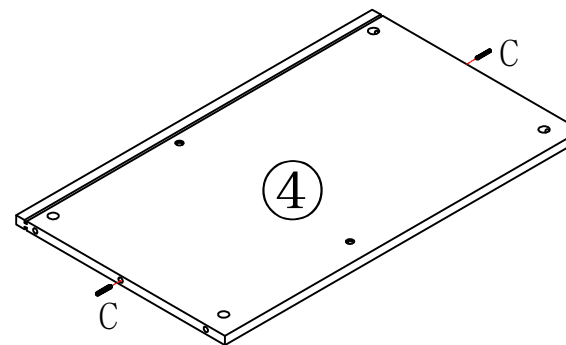
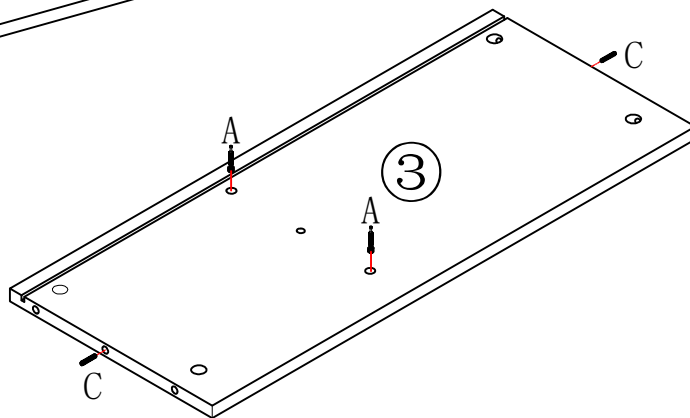
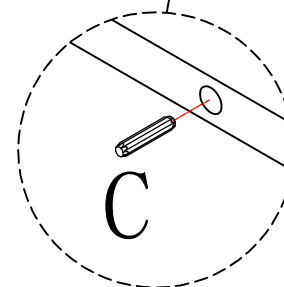
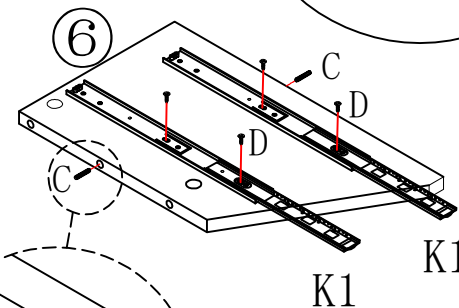
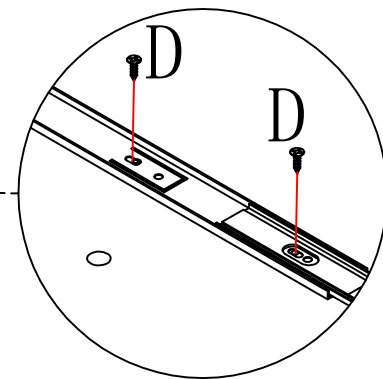
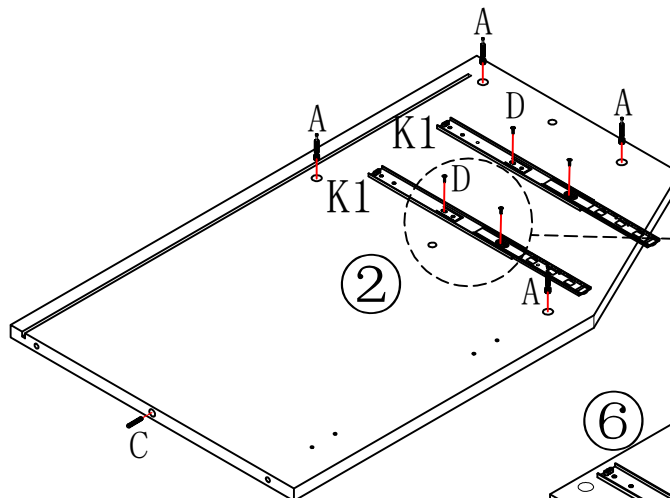
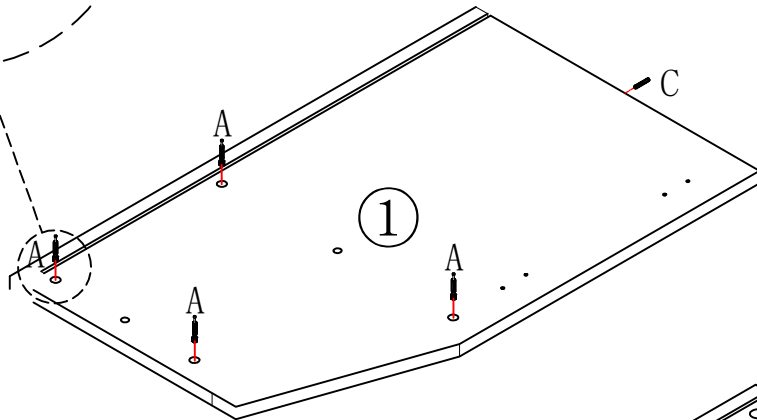
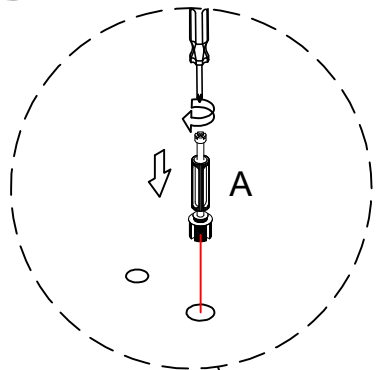


IV



Scan QR code for assembly video

1



put A on board ①②③
 put C on board ①②③④⑥



A*10



C*6

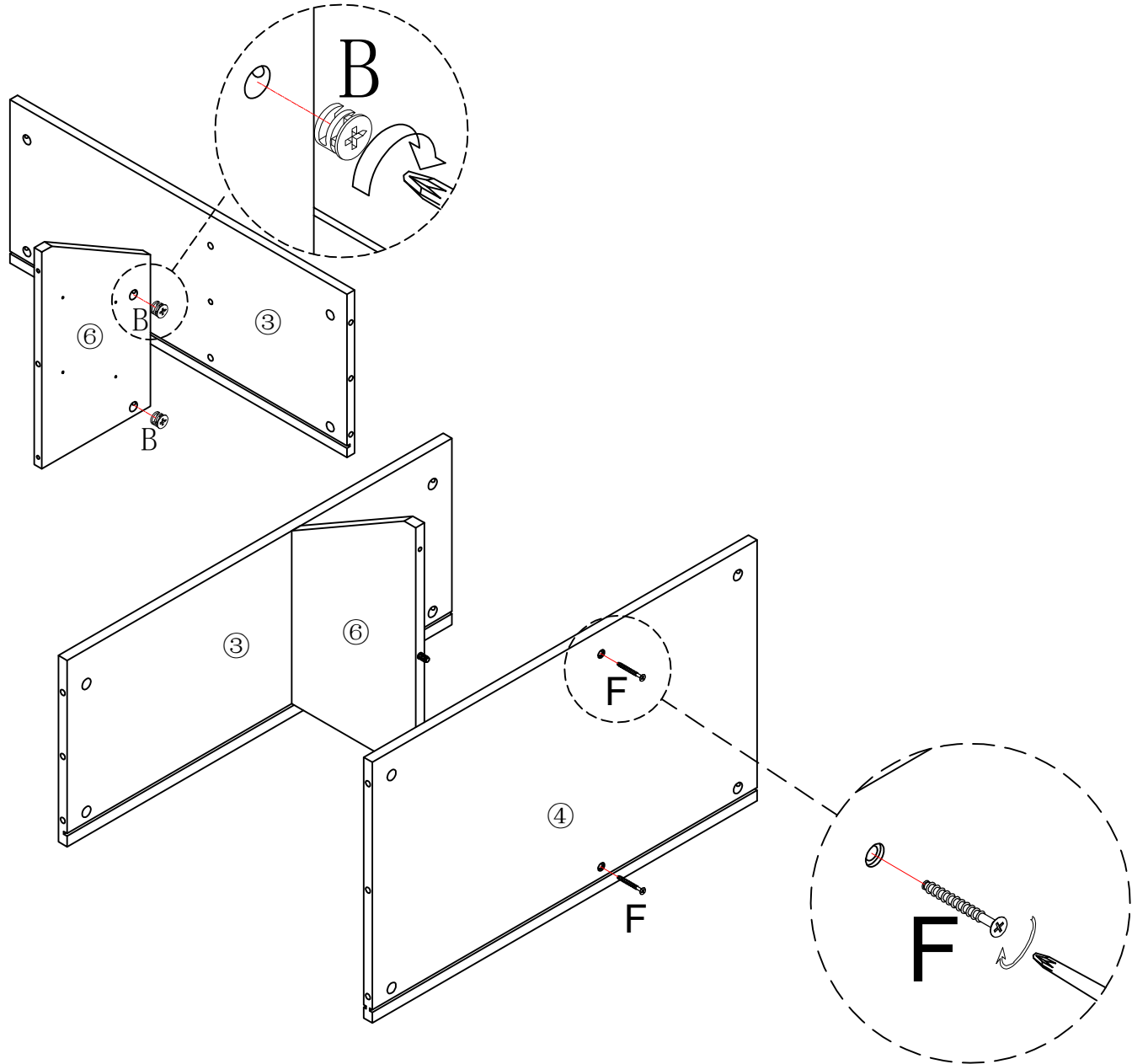


D*8



K1*4

2



Make sure the arrow on the screw align to the hole on the side.

put B on board ③ ④ ⑤ ⑦

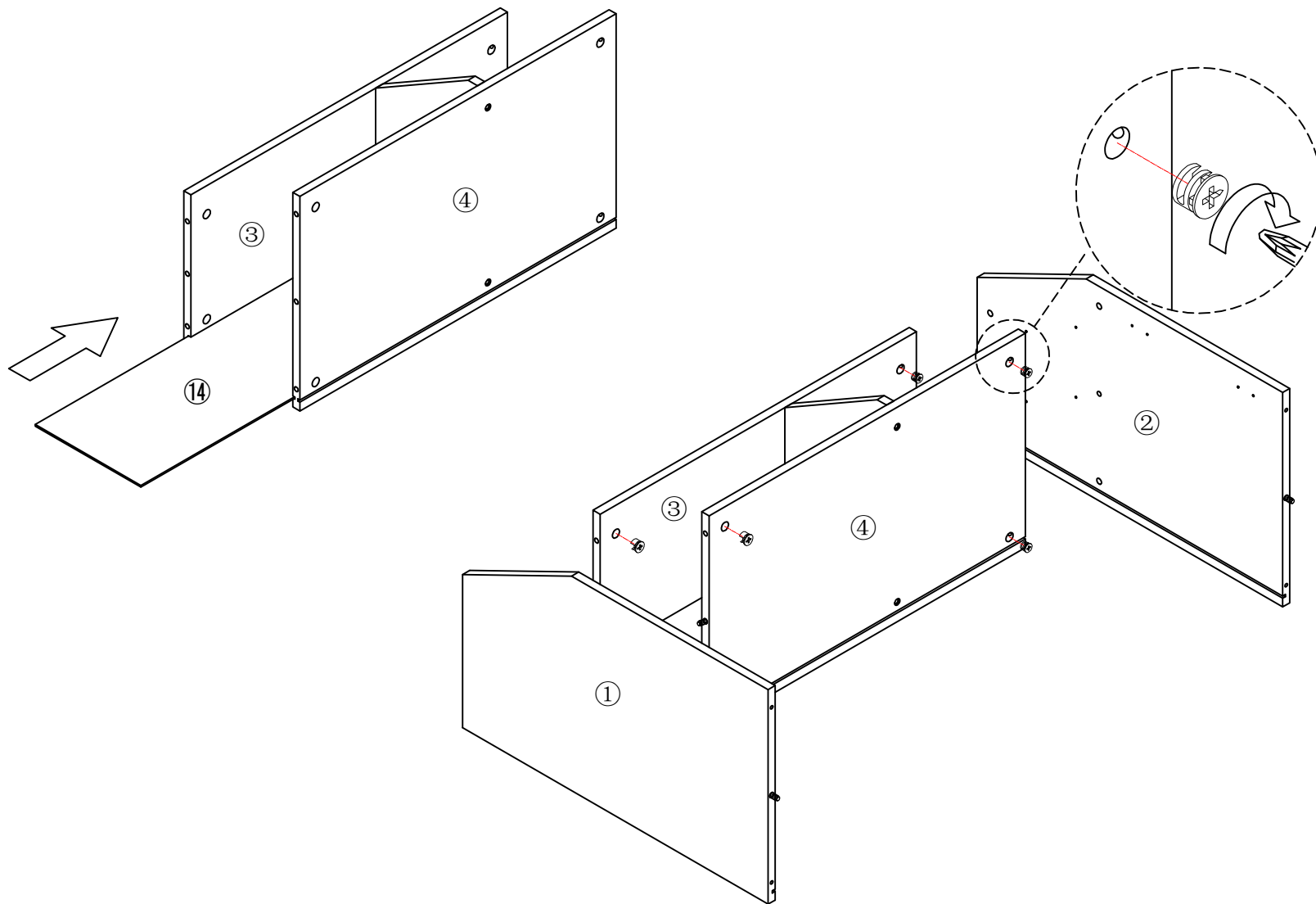


C*2



F*2

3



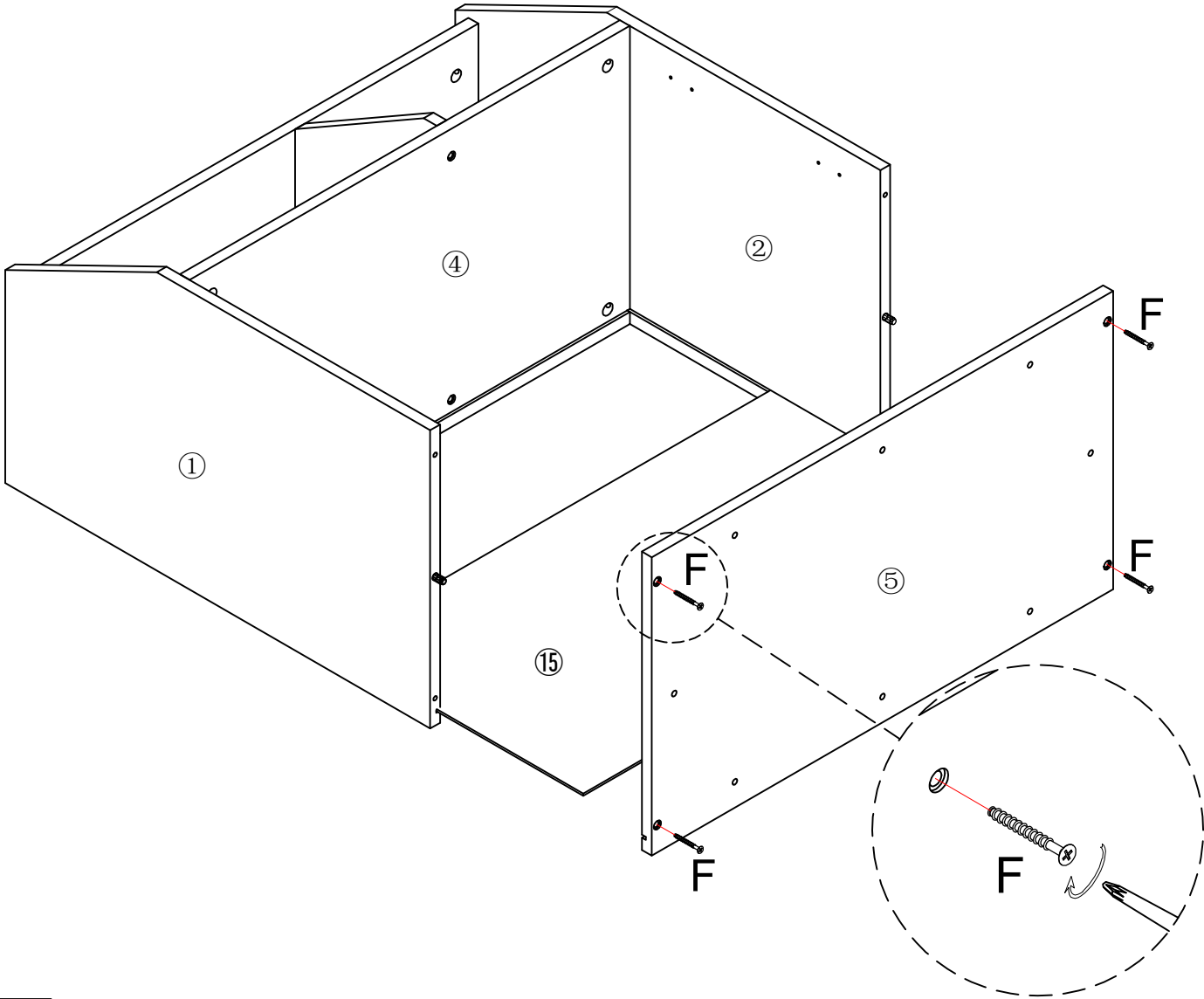
Make sure the arrow on the screw align to the hole on the side.



C*8

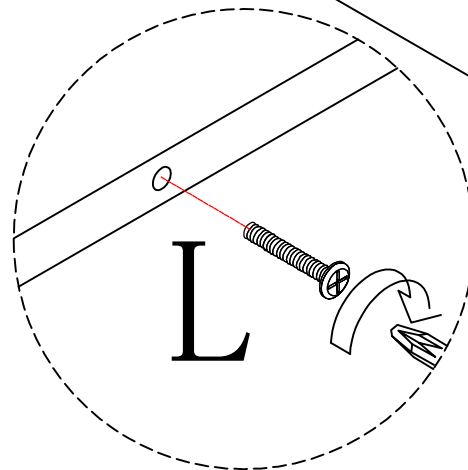
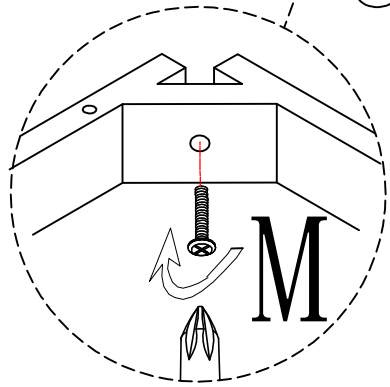
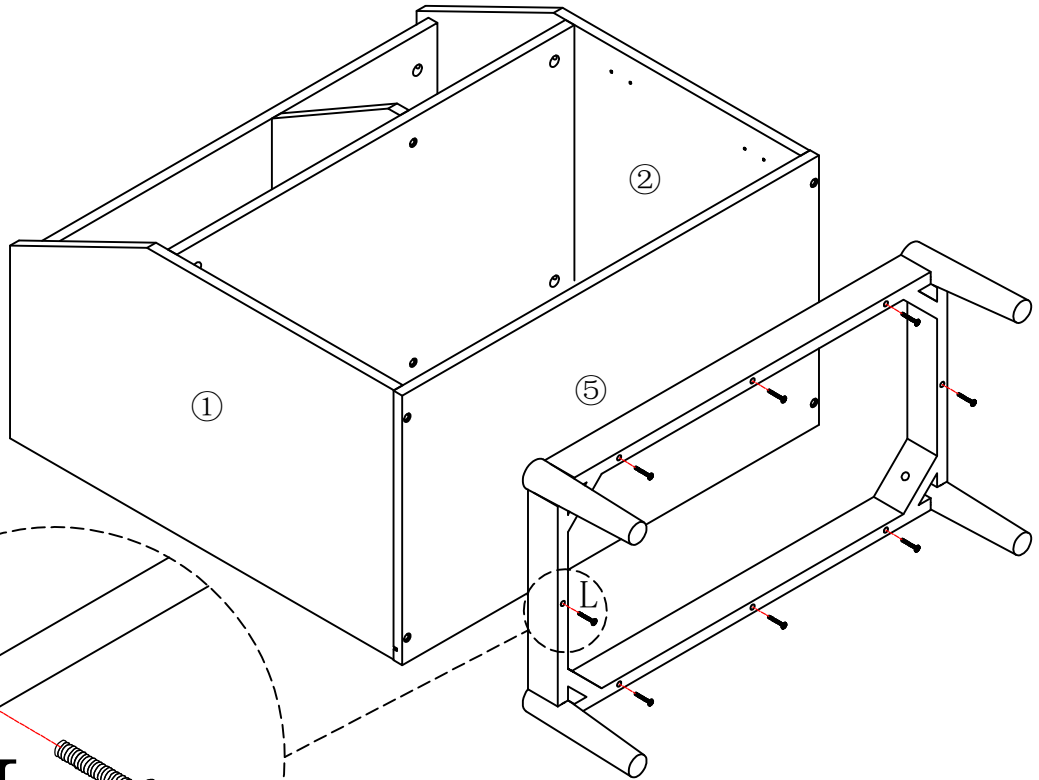
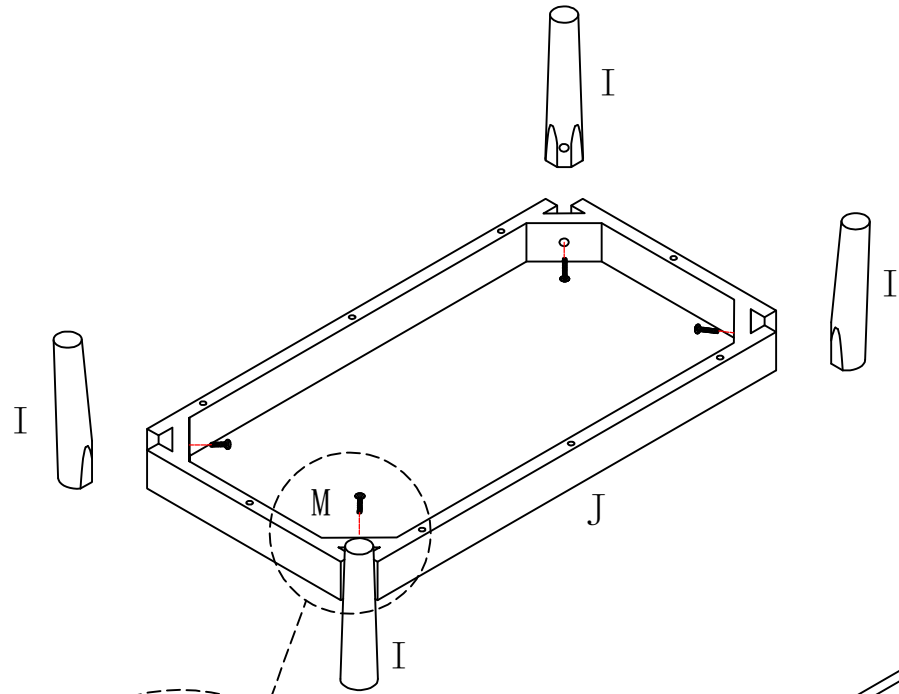
put B on board ③ ④


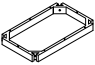
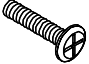
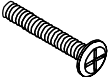
4



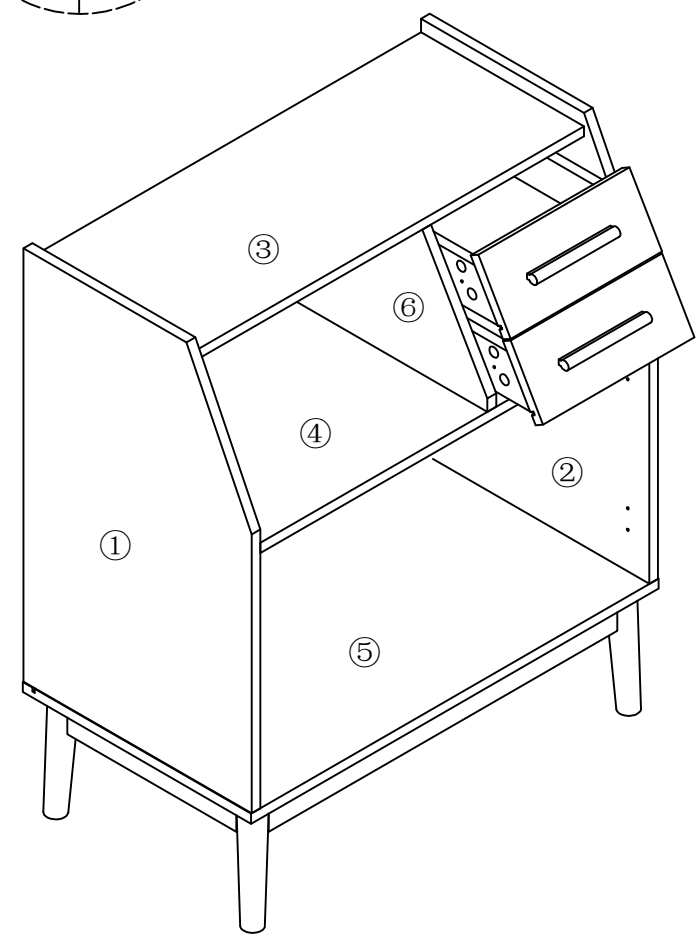
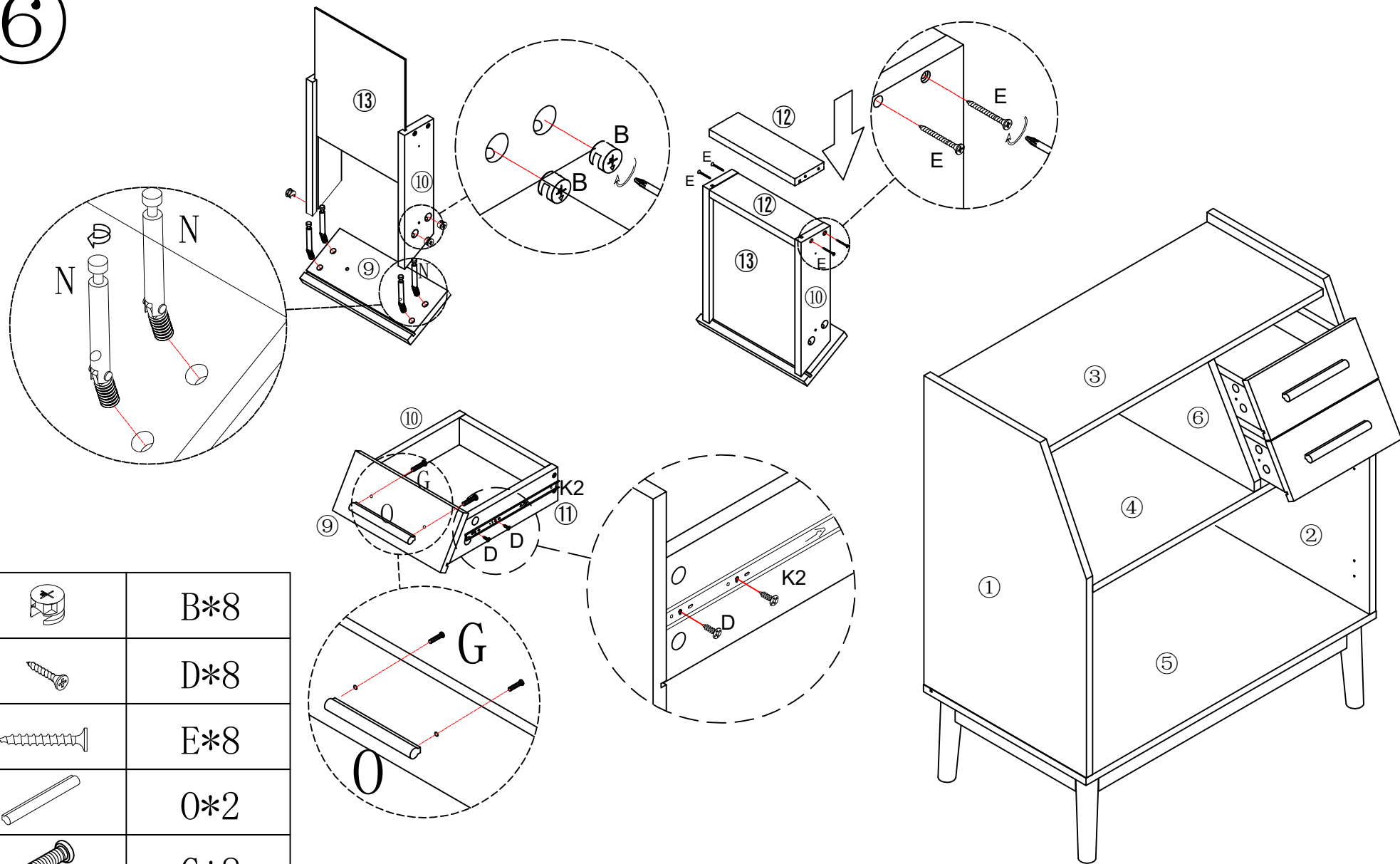
	G*4
--	-----

5

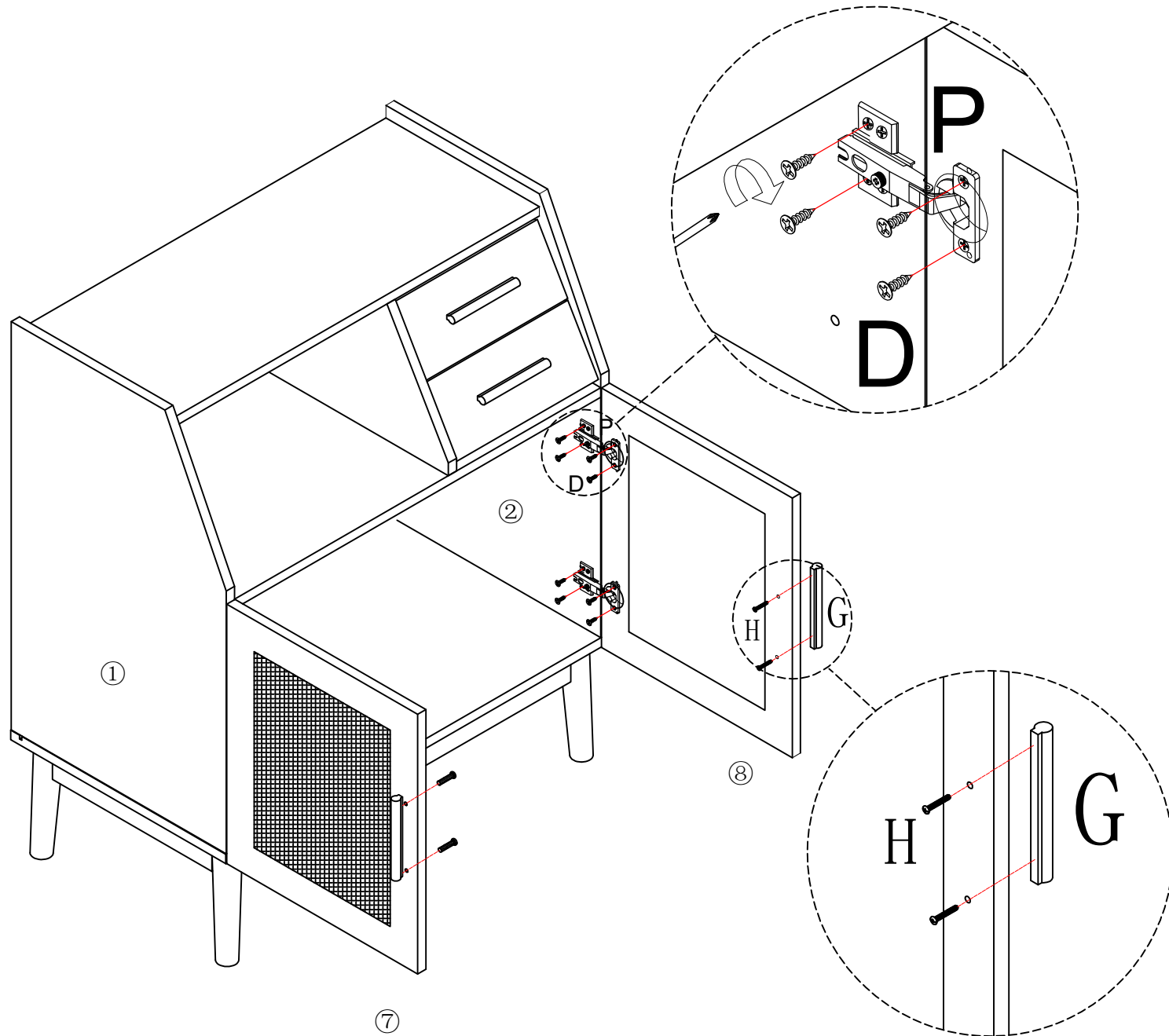



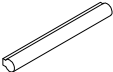

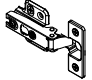
	I*4
	J*1
	N*8
	O*4

6

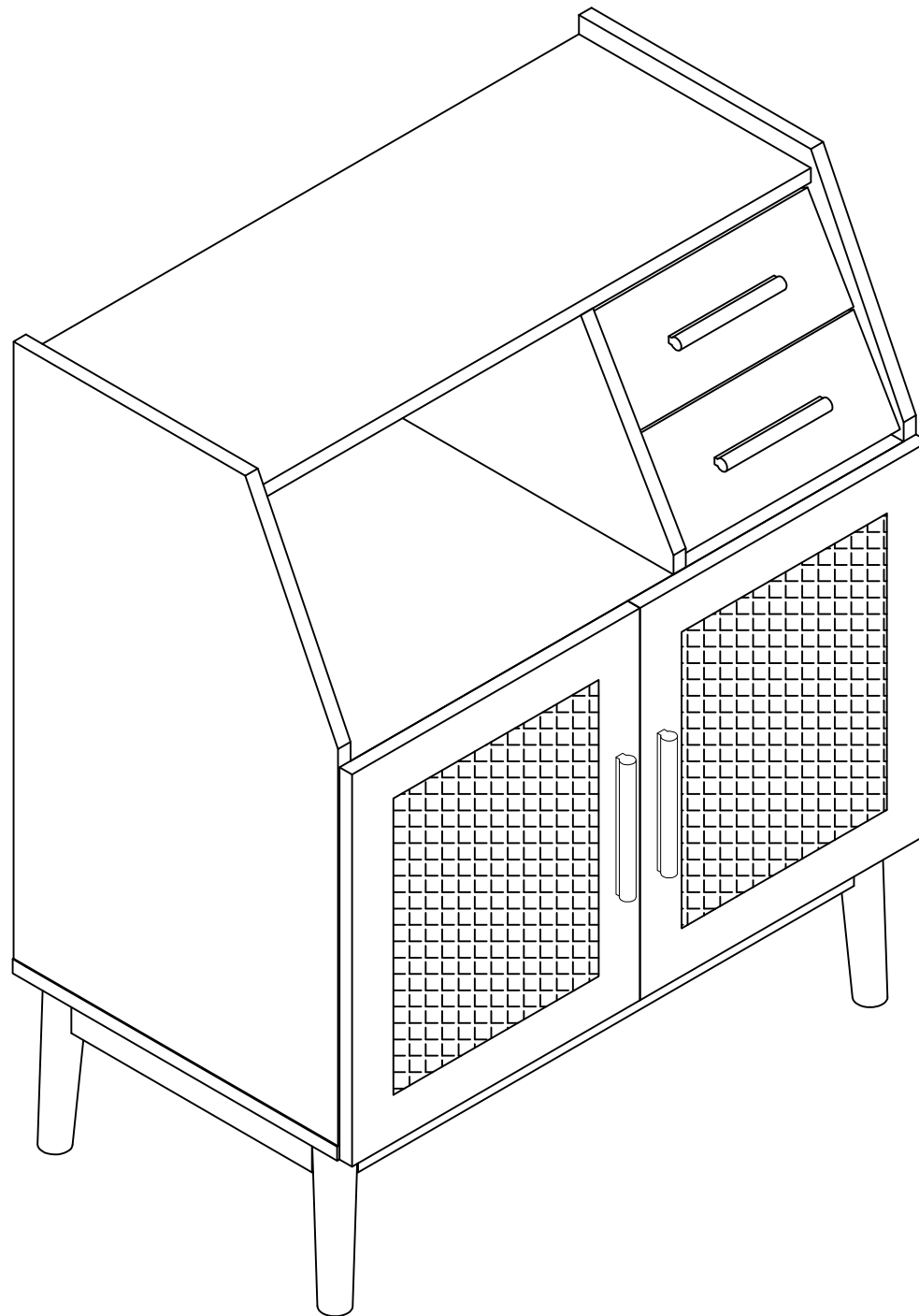


7



	D*16
	G*2
	H*8
	P*4

8



END