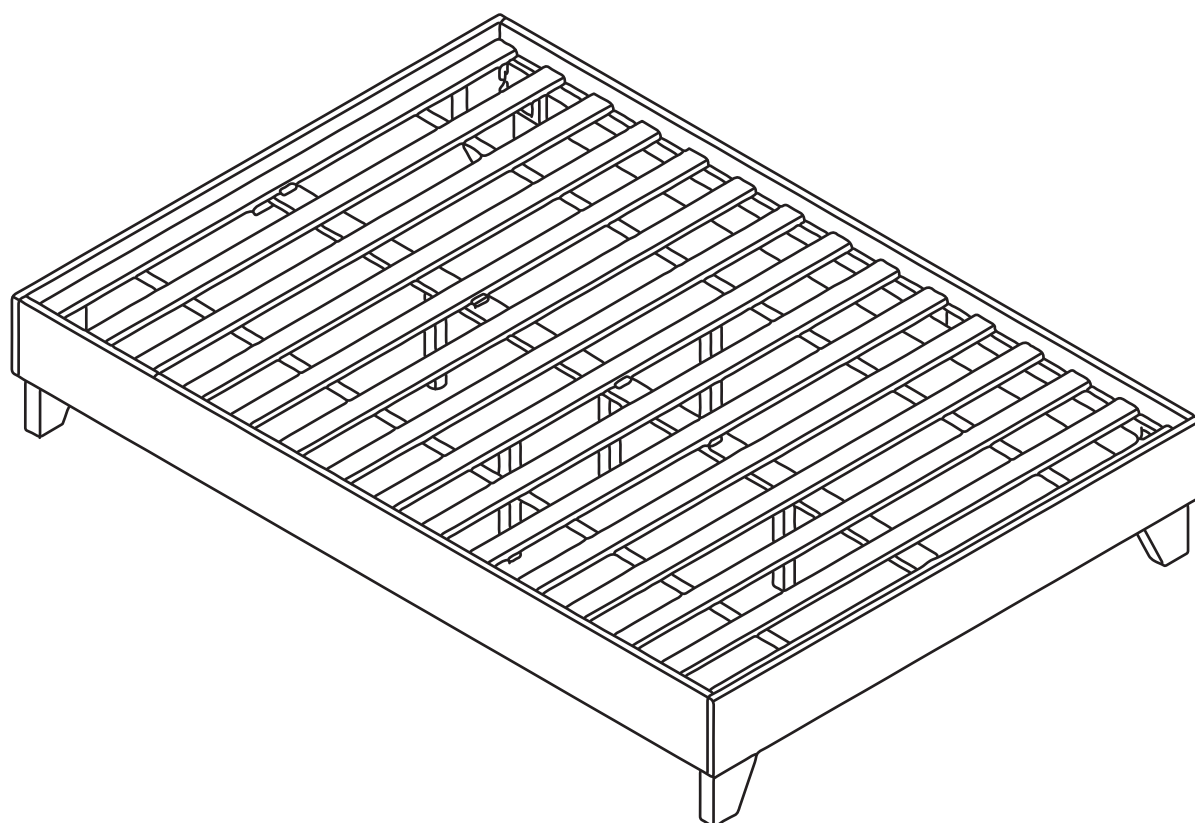


WOODEN PLATFORM BED FRAME

ASSEMBLY INSTRUCTIONS



WOODEN PLATFORM BED FRAME

BEFORE YOU BEGIN

Save all packaging materials until product is fully assembled. Hardware and small pieces may not be seen and could be accidentally discarded with packaging materials.

Follow the instructions carefully as deviation from them may void your warranty and present a possible safety risk.

It is recommended that assembly is done on a soft surface like carpet to avoid damage.

CARE INSTRUCTIONS

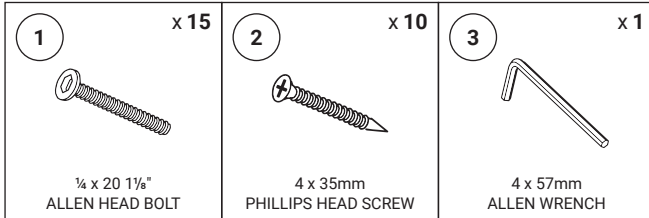
Simply wipe with a damp cloth.

ENJOY YOUR NEW FURNITURE!

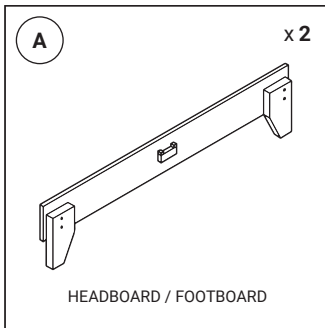
We take pride in hand crafting each product for our customers and strive to make your experience easy and enjoyable.

PARTS LIST FOR WOODEN PLATFORM BED FRAME

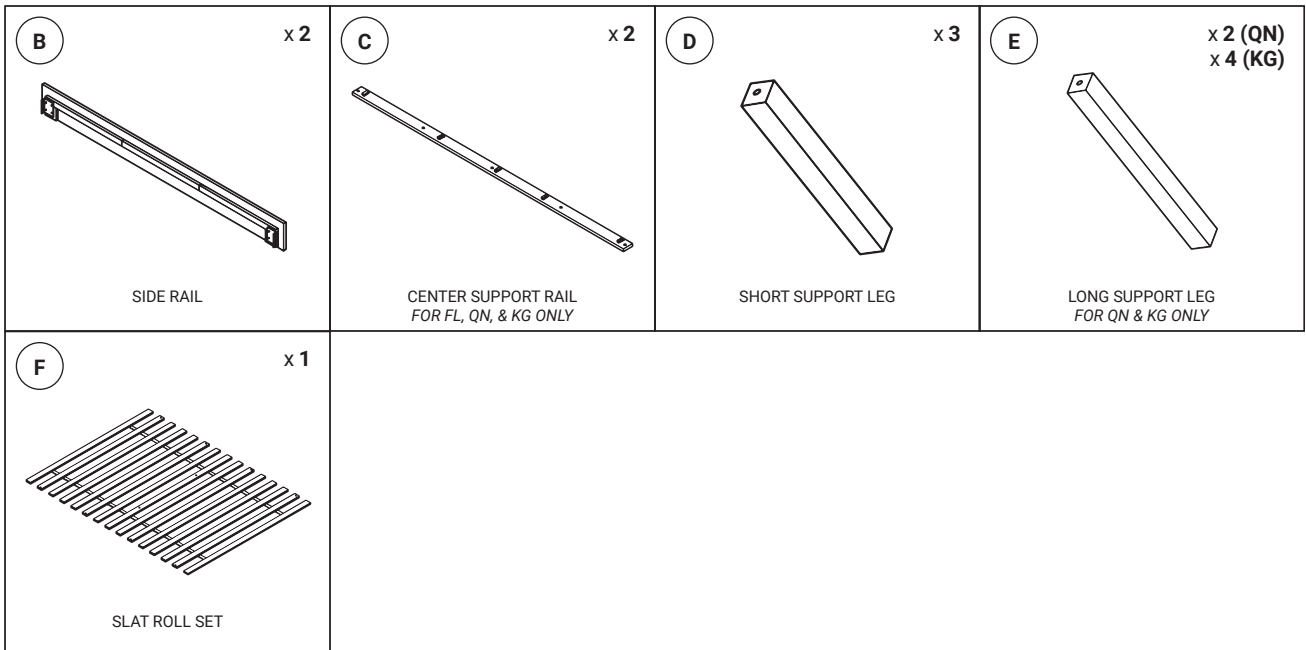
INCLUDED IN HARDWARE BAG IN CARTON 2



INCLUDED IN CARTON 1



INCLUDED IN CARTON 2



NOTE: A Phillips head screw driver is required, but not included.

SAVE ALL PACKAGING MATERIALS UNTIL PRODUCT IS FULLY ASSEMBLED. HARDWARE AND SMALL PIECES MAY NOT BE SEEN AND COULD BE ACCIDENTALLY DISCARDED WITH PACKAGING MATERIALS. FOR TWIN, FULL, AND QUEEN SIZES, THERE WILL BE BOLTS AND SCREWS LEFT AFTER ASSEMBLY. THESE CAN BE DISCARDED.

ASSEMBLY INSTRUCTIONS FOR WOODEN PLATFORM BED FRAME

STEP 1

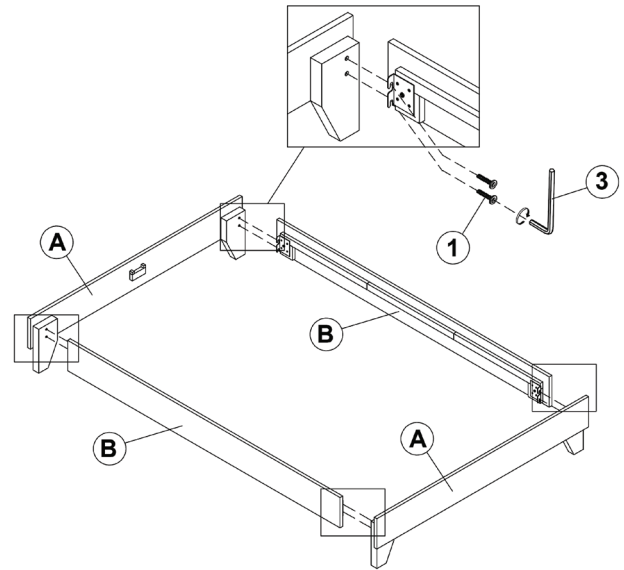
Screw two allen head bolts (1) into the predrilled holes of the headboard (A) using the provided allen wrench. **DO NOT TIGHTEN** screws all the way.

With the preassembled, metal brackets of side rail (B) facing inward, align the bracket hooks with the allen head bolts (1) on headboard (A) and slide the bracket hooks on to the shaft of the allen head bolts (1).

Repeat on other side of headboard (A) and both ends of the footboard (A).

Tighten all screws securely using allen wrench (3).

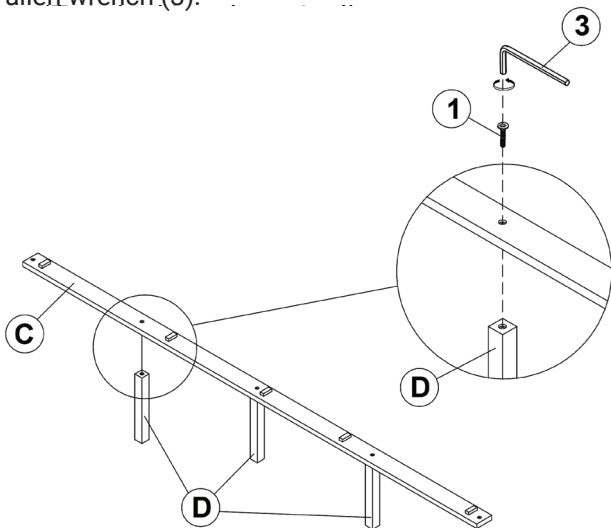
Twin bed frame? Skip ahead to step 5.



STEP 2

With the small separators of the center support rail (C) facing up, place allen head bolts (1) through the center-most holes on the top of center support rail (C). Align hole of short support leg (D) to allen head bolts.

Repeat until all required short support legs (D) are assembled. Tighten all screws securely using the allen wrench (3).

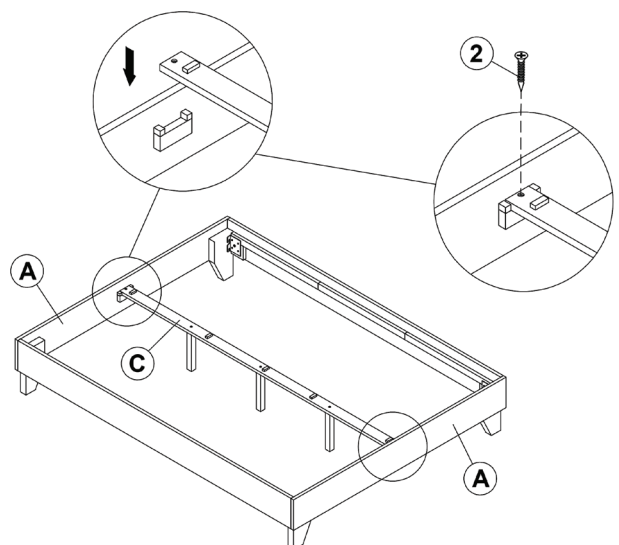


STEP 3

Align the outer-most holes of the center support rail (C) to the preassembled, wood brackets at the center of the headboard (A) and footboard (A).

Place Phillips head screw (2) through the outer-most holes of the center support rail (C). Tighten both screws securely using a Phillips head screwdriver.

Full bed frame? Skip ahead to step 5.



ASSEMBLY INSTRUCTIONS FOR WOODEN PLATFORM BED FRAME

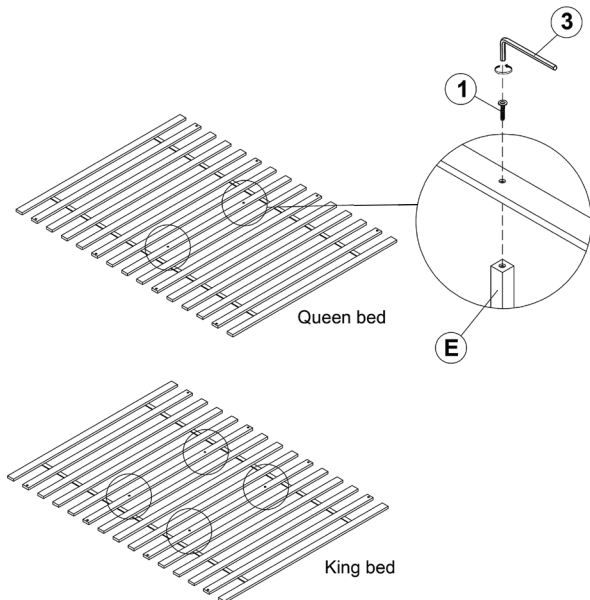
STEP 4

With the slat connection strips facing the floor, unroll the slat roll set (F) onto a soft surface as to not scratch a hard surface floor.

Align the predrilled hole of a long support leg (E) with an inner, predrilled hole of a slat. Place an allen head bolt (1) through both the slat and long support leg (E).

Repeat for all inner, predrilled holes of the slats. Tighten both bolts securely using the provided allen wrench.

Queen: There are two long support legs (E).
King/C-King: There are four long support legs (E).



STEP 5

Place the short ends of the slats along the inner support rails of the side rails (B). Spread the slats as evenly as possible, using the small separators of the center support rail (C) to guide you.

Place a Phillips head screw (2) through each of the predrilled holes at the ends of some of the slats. Tighten all screws securely using a Phillips head screwdriver.

