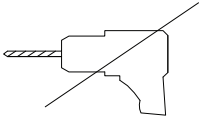

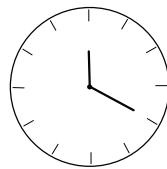
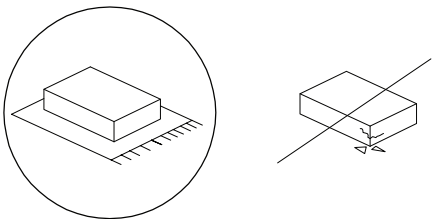

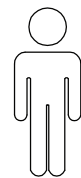
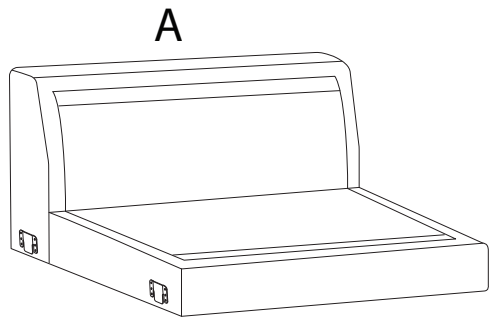
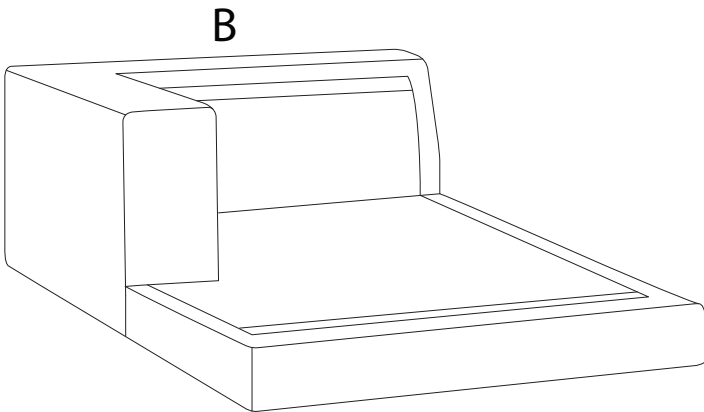
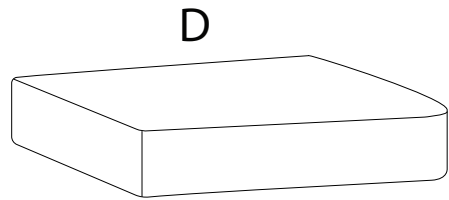
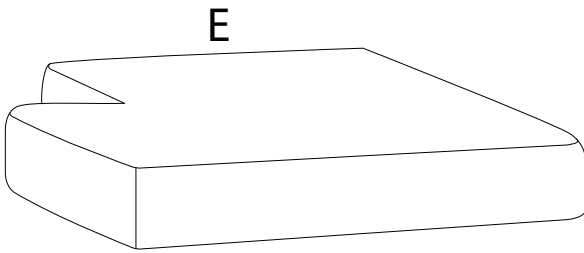
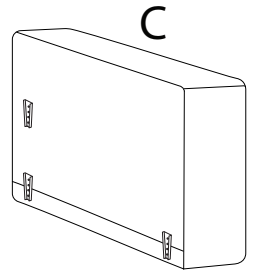
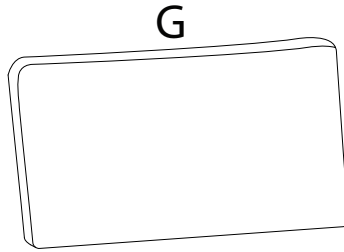
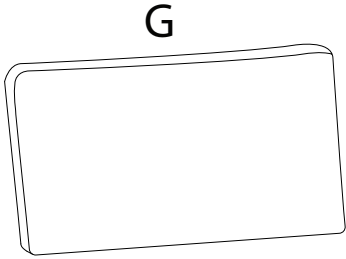
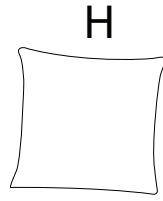
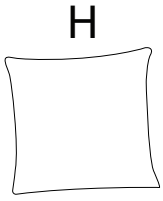


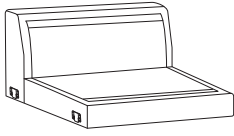
|   |   |   |
|---|---|---|
|  |  |  |
|   |   | 20'   |
|  |  |  |
|   |   | 2   |



F x 12

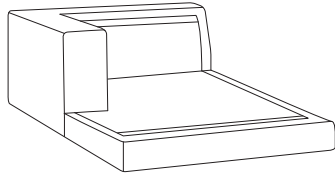


A



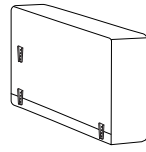
x 1

B



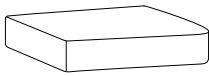
x 1

C



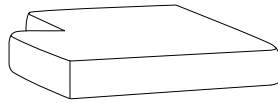
x 1

D



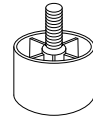
x 1

E



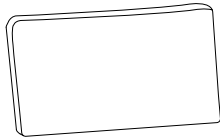
x 1

F



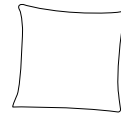
x 12

G



x 2

H



x 2

1

A

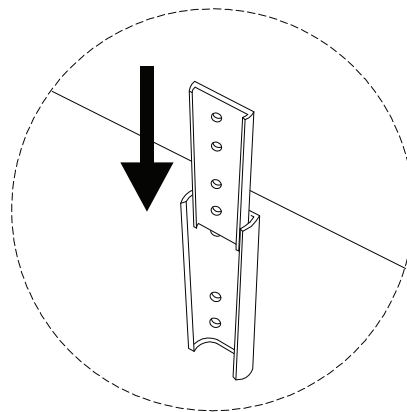
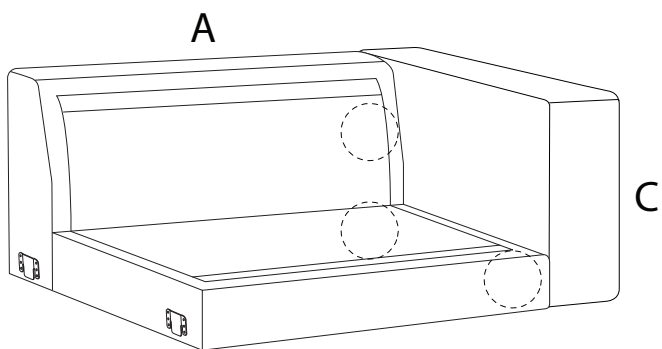


x 1

C

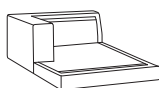


x 1



2

B

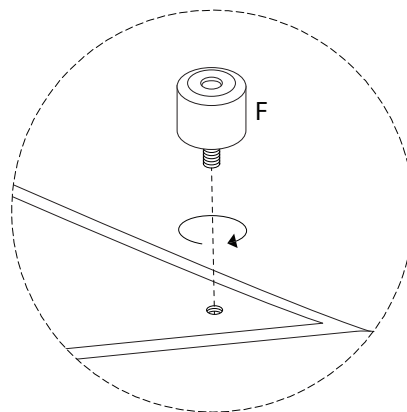
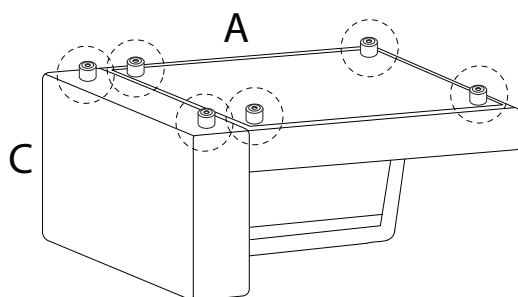
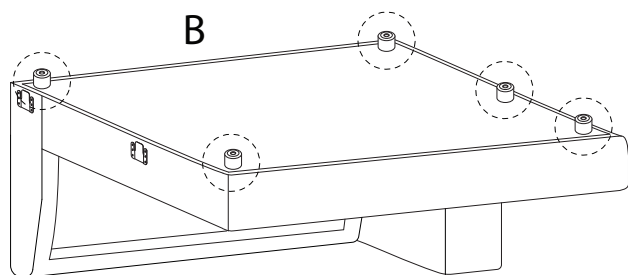


x 1

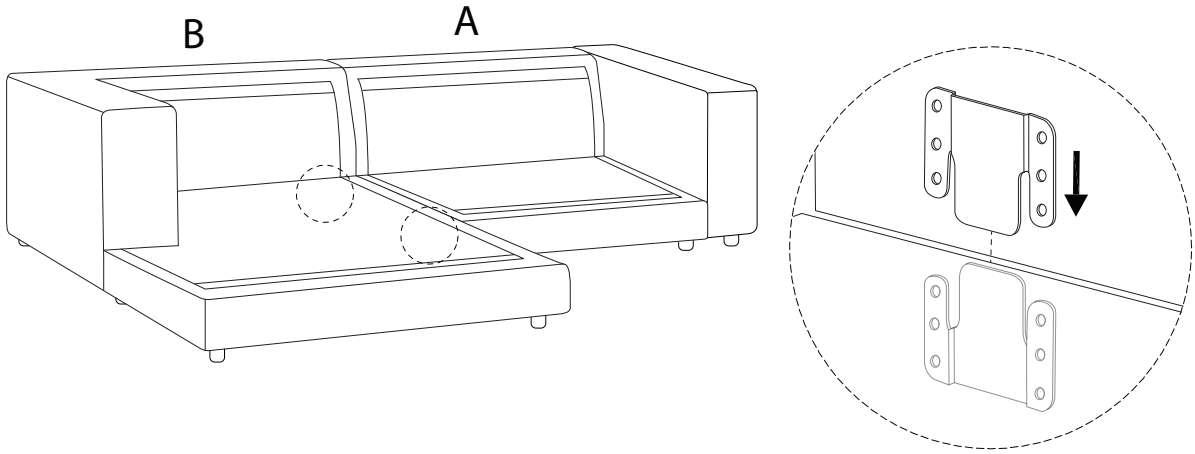
F



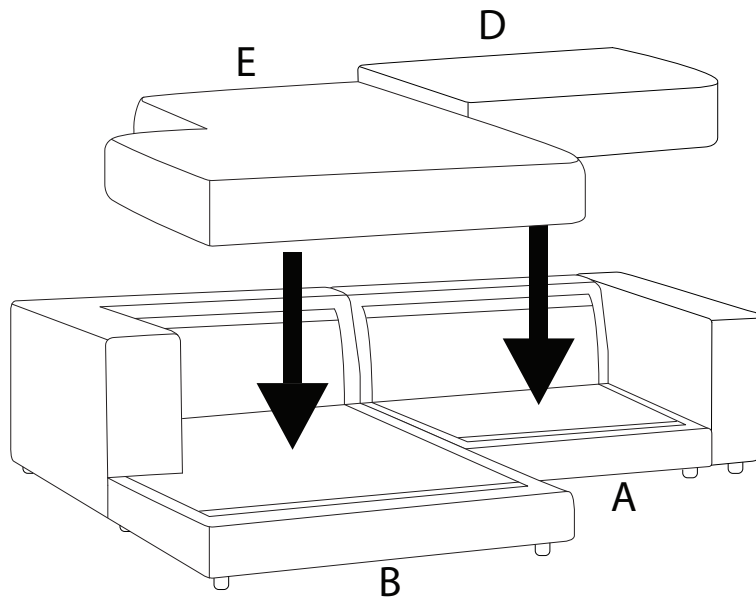
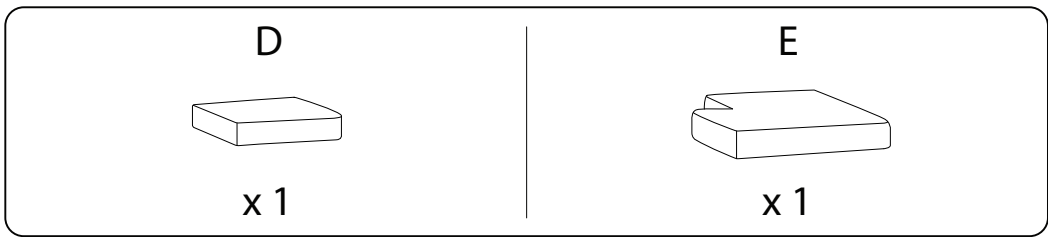
x 12



3



4



5

