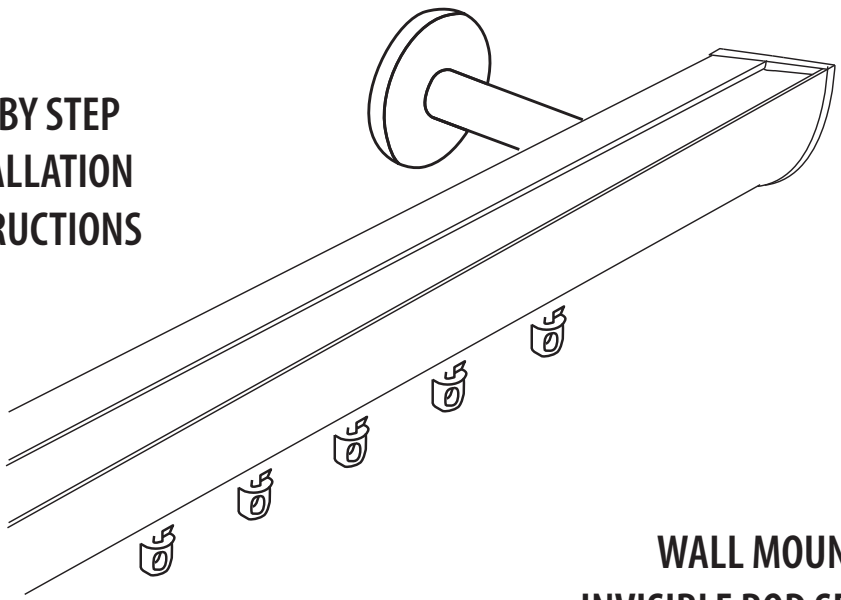


STEP BY STEP INSTALLATION INSTRUCTIONS



WALL MOUNT INVISIBLE ROD SET

Everything You Need For A Smooth Set-Up

We want you to love your new hardware and that includes having a smooth installation experience. We suggest saving this guide. If you encounter any difficulties or questions, please reach out to us for help.

Getting Started

Before you begin, check the accompanying diagram to make sure you have all the parts you need. You'll need to make sure the surface you intend to install your hardware is sturdy enough to accommodate the brackets. If you're screwing directly into a surface this means locating wood studs that are strong enough to securely bond with the included screws. Otherwise, you'll need to use a secure fastener (as illustrated) but please note this piece is not included.

WALLBOARD OR PLASTER: Hollow wall applications:
Use a secure fastener designed specifically for this purpose.

METAL: Prepare by pre-drilling holes and then using the included screws.

CONCRETE, STONE, BRICK OR TILE: Use a masonry drill and surface-specific plugs, anchors, or screws.

When selecting a fastener, be sure it's designed to support the weight of the product being installed (if you're not sure, call us or ask a professional at your local hardware store). Once obtained, follow the fastener manufacturer's instructions regarding proper installation.



MOLLY
BOLT



SELF DRILLING
ANCHOR

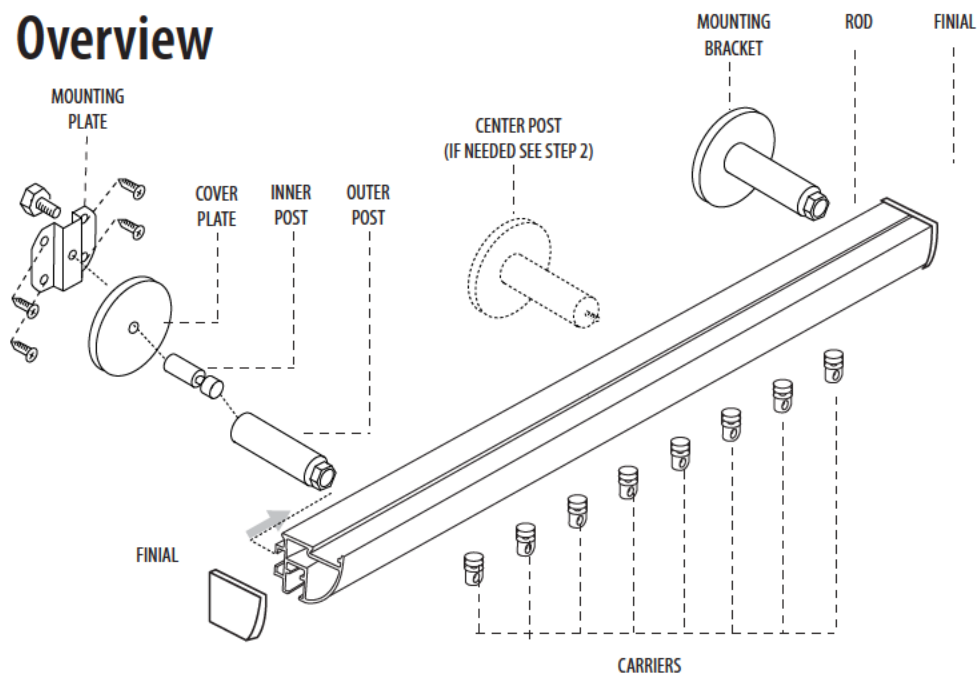


TOGGLE
BOLT

Tools You Will Need To Install Your Hardware:

Pencil, screwdriver, 1/4" nut driver, level, and a drill with a 3/4" drill bit. *Note: It's important to monitor the amount of pressure you apply when using a drill. If the screws are too tight this may cause the screw itself to break off in the wall or window frame.*

Overview



Step 1: Mounting the Brackets

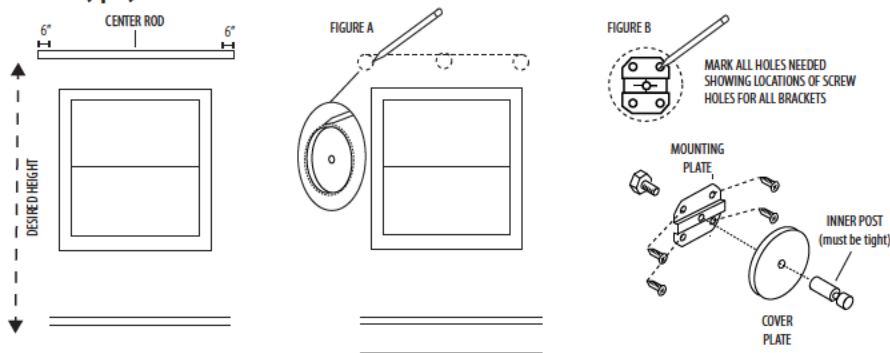
Place the panel on the rod. To ensure it drapes at the correct length, hold it up to the spot you wish to install it; this will allow you to raise or lower your treatment as desired. After you've located the idea location, use a pencil to mark the wall where the top of the rod is resting.

Remove the panel from the rod and then center the rod over the window opening at the desired height. Using the pencil, mark where the ends of each rod are positioned; if you're using a center bracket, note the middle point between these two spots as well. If you have more than one center bracket spread these evenly between the two end brackets and center point. If you have a spliced rod, mark where that splice is as well on the wall since you will need to add a bracket at that point as well. Measure 6" inward from the marks you've made on both ends and mark those spots. This is where the end brackets will be installed.

Place bracket level against wall at the marked spots. Using a pencil, lightly draw a circle around the base of the bracket onto wall (see Figure A). Check to make sure the circles are level and aligned with each other. Remove mounting plate and center it inside of the circle outline on wall. Mark the screw hole locations for all brackets (see Figure B).

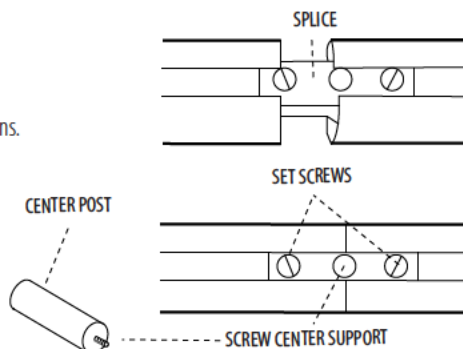
Attach the metal mounting plate to the wall, aligning the holes in the plate with the marks made in the previous step (see Figure B). Be sure and attach the plate to the wall with the appropriate mounting hardware. It is recommended to attach to the wood studs inside the wall. If not possible please use a wall anchor suitable for the weight of the hardware selection and draperies as well as any accessories. Place cover plate on top of mounting plate and thread in the inside post. **Make sure to screw on inside post very tightly.**

Do not leave any play.



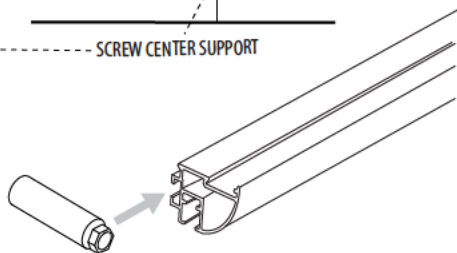
Step 2: Splice track if necessary

Join the track sections together by inserting the splice in the back channel between the two sections. Tighten set screws. Screw Center Support directly into center hole of the splice.



Step 3: Installing Outside Posts

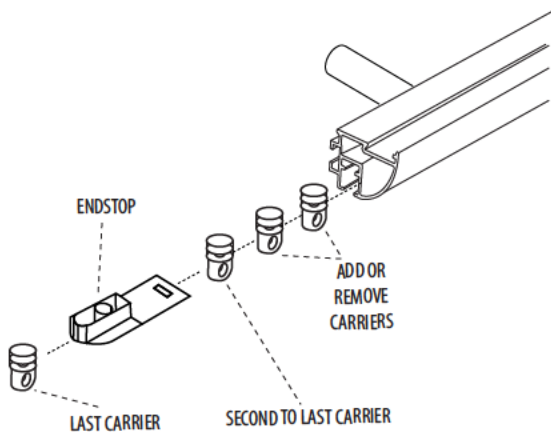
Loosen bolt screw on the outside post and slide into the back of the curtain rod. Place outside posts at approximate distances to line-up to bracket bases. Do not tighten outside post to curtain rod, yet.



Step 4: Placing Carriers and End Stops

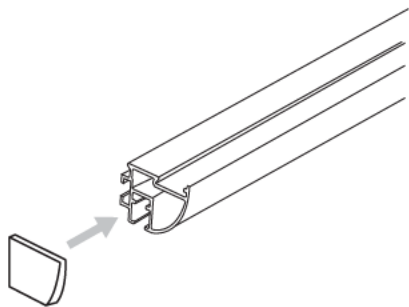
Add the required number of carriers to reflect the number of pin hooks in your drapery. Once all carriers have been placed in the track, place the end stop click in between the last carrier and the second to last carrier so end of drape does not move when drape is closed. Do on both ends for split draw drapery.

Easily add or remove carriers to the rod, if needed, to reflect same amount of carriers to pin hooks in your drapery. Unscrew the endcap, if in place. Remove the end stop click and either add or take out the carriers needed.



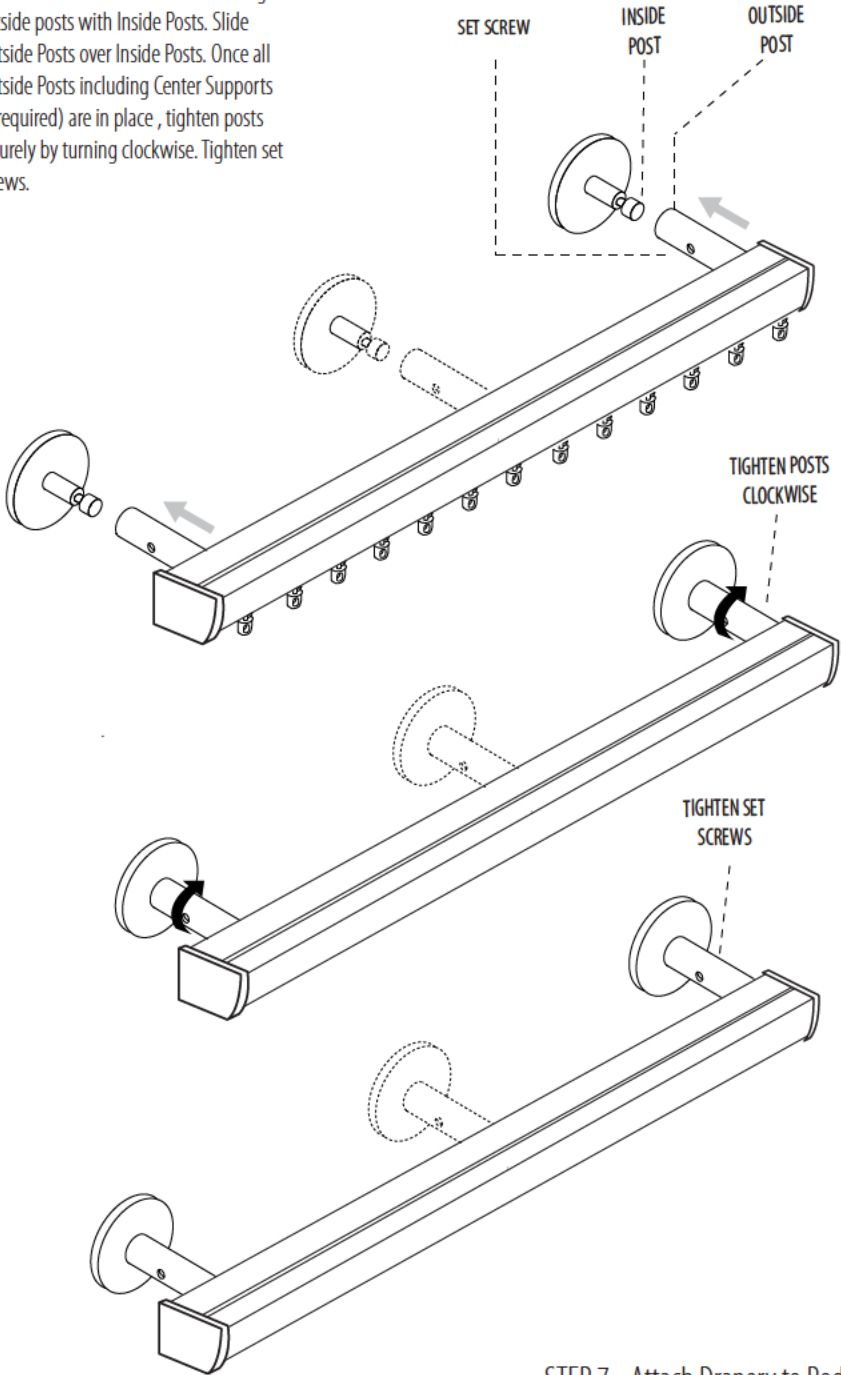
Step 5: Attach finials

Attach finial by tightening the set screw



STEP 6 - Attach Bracket Posts to the Bracket Bases

Loosen set screw on Outside Posts. Align outside posts with Inside Posts. Slide Outside Posts over Inside Posts. Once all Outside Posts including Center Supports (if required) are in place, tighten posts securely by turning clockwise. Tighten set screws.



STEP 7 - Attach Drapery to Rod
Insert drapery pin hooks into carriers.