

User Manual

Floor Lamp With Shelves

1. Introduction

Thank you for purchasing our shelf floor lamp. Please read the following instructions carefully before assembly.

2. Product Features

1. DIY assembly, modern minimalist style, classic color scheme. The versatile design brings not only a beautiful luminaire, but also convenient storage options.
2. The multi-tiered shelves allow you to display vases, books, plants etc for decoration.
3. Different light bulbs with E26 base can be applied to meet different ambience needs.
4. The poles of this lamp are made of **wooden**, which makes the lamp much more sturdy and durable.

3. Parameter

Power	MAX 60W
Material	Wooden+MDF+Fabric
Socket Type	E26
Switch	Pull Switch
Size For Lamp	10.23x10.23x62.2 inches
Life	30000h

4. Cautions

1. Please keep it in a dry environment and don't touch the lamp with wet hands.
2. For a longer service life, please do not use the lamp in hot or corrosive surroundings.
3. Please make sure that the voltage is 100-120V, which is standard for US. This product can only be used between 100-120V.
4. Unplug before cleaning.

5. Package List



*1



b Middle panel*2



c Bottom panel*1



d VELCRO*6



e)

f Screw 2*9
(1 For spare)



g Lamp shade *1



h Wooden pole *12



or *1

j Down iron frame*1



k Hex wrench*1



l Bulb *1



*1

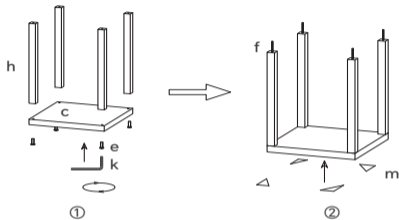
6. Usage

On/off: Pull the chain switch.

CCT: You can change the CCT every two pulls.

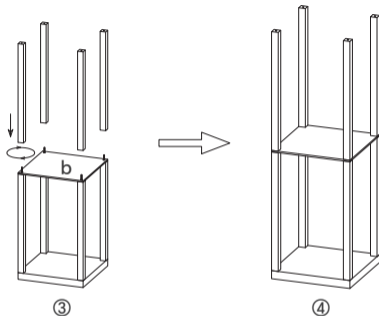
7.Warranty and Our mission

Light the world, Warm your heart, which is the goal that we have been pursuing. We'd like to provide the best lamps and service to you. We provide a 12-month warranty for you. If you have any questions or suggestions, please contact us soon, we would do our best to solve the problem and improve ourselves. Wish you enjoy the lamp and our service.

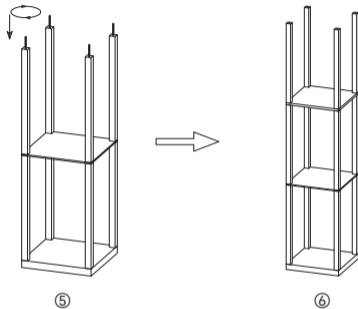


Step 1: Use the hex wrench to fix the bottom panel and the wooden poles(4PCS) firmly with e. screw 1(4 PCS).

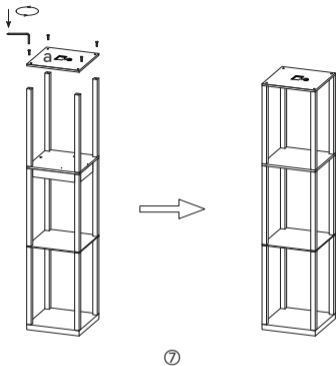
Step 2: Stick the EVA cushion to the bottom of the bottom panel. Rotate f. screw 2(4PCS) and fix them to the top of the wooden poles.



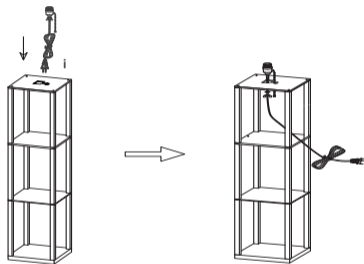
Step 3: Put the middle panel on the wooden poles through f. screw 2.
Step 4: Tighten the wooden poles and fix them on the middle panel.



Step 5: Rotate f. screw 2(4PCS) and fix them to the top of the wooden poles.
Step 6: Pass the other middle panel through f. screw 2 and place it on the wooden poles.

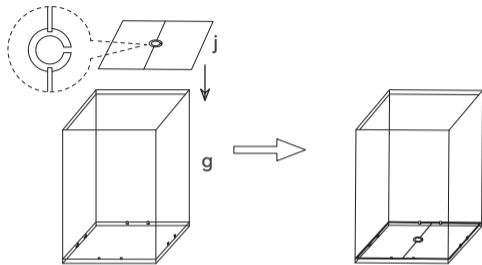


Step 7: Similar to step 6 screw on the wooden poles, and then fix the top panel on the poles firmly with the e. screw1(4PCS) via hex wrench.



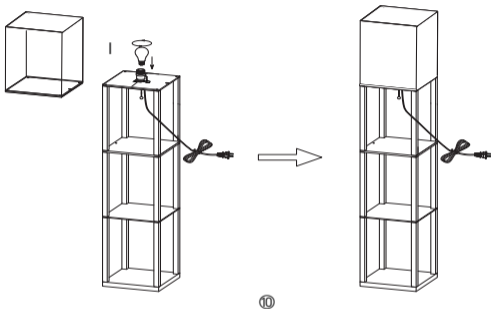
⑧

Step 8: Pass the plug, butterfly nut, and washer through the top panel, and drop the pull chain through the square hole.

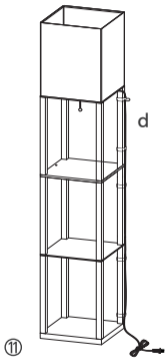


⑨

Step 9: Put the bracket into the lampshade from top to bottom and fix the bracket with the buckle. Where the crossbar intersects with the C-shaped wooden sheet, the protruding part of the crossbar faces downwards.



Step 10: Lift the lamp cap slightly, let the wire pass through the C-shaped notch of the lower bracket. Press the lamp socket firmly against the bracket and then tighten the wing nut under the lamp cap to fix the lamp cap and lampshade. Please note that the notch is facing the pull chain so as not to get caught in the pull chain.



Step 11: Fix the wire with Velcro.