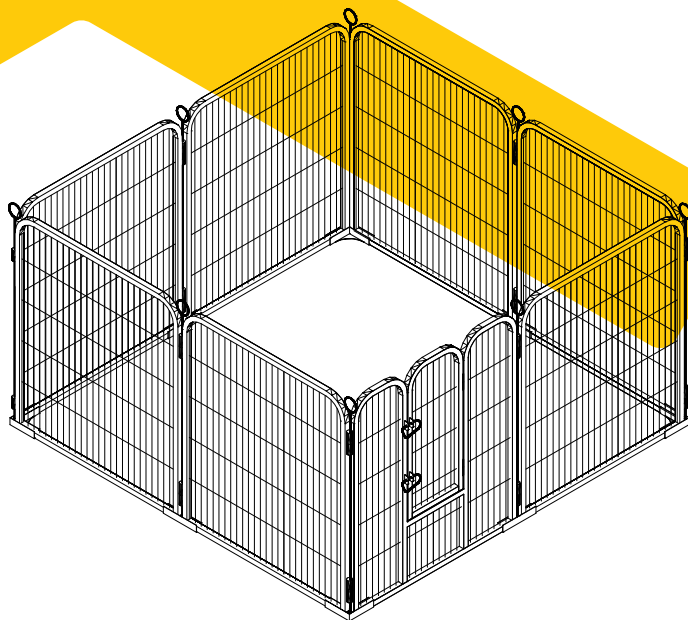


INSTRUCTION MANUAL

AIR 50

AIR 51



aivituvin

www.aivituvin.com

General Guidelines

- Please read the following instruction carefully and use the product accordingly.
- Please keep this manual and hand it over when you transfer the product.
- This summary may not include every detail of all variations and considered steps. Please contact us when further information and help are needed.

Safety Warnings

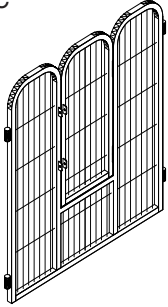
- For pets only. This item is not a toy or intended for the use of children. Children are not allowed to use or play with the product.
- Please do not climb or lean on playpens.
- This product should only be assembled by adults. Always follow the instructions provided with the product to setup the playpen. Please wear work gloves during assembly and disassembly to avoid pinching your fingers caused by improper operations.
- Please assemble this item on an even and flat surface.
- Stick the sound-proof cotton on the gap to reduce the shaking sound of door. animals that dig, chew or claw aggressively. Aivituv is not liable for any damage caused by aggressive, violent or untrained animals.
- Please keep this item away from fire, gas, electricity, chemicals or sharp objects. Failure to follow these warnings or the instructions could result in serious injury or death.
- Periodically inspect this product for damaged hardware, loose joints, missing parts, or sharp edges. Do not use the product if any parts are missing or broken.
- Remove collar and leashes while using this product to prevent suffocation if entangled.
- Do not leave pets in product for prolonged periods of time. Please provide the necessary supervision for the continued safety of your pet while it is playing in the playpen.
- In order to ensure the door can be opened quickly in an emergency, please keep clutter clear in front of the door when your pet is inside the playpen.
- When using outdoors, please check to make sure the ground pegs are assembled securely. Remove this item or shelter it with a waterproof cover under extreme weather conditions. Keep it in a safe place when not use for an extended period of time.

Usage Suggestions

- Please consult a veterinarian before use to ensure the physical and mental health of your pet.
- It is suggested to train and habituate your pet when beginning to use the product. Please consult a veterinarian or other professionals if needed.
- Please change to a suitable playpen according to the size of your pet.

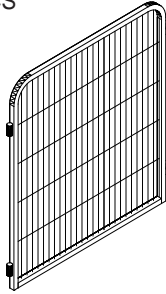
PARTS

Steel Panels with Door
1PC



A

Steel Panels
7PCS



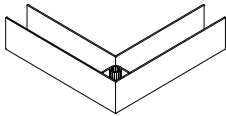
B

Steel Bars
8PCS



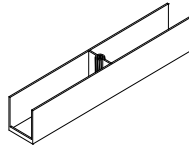
C

Protection Under Pad -
L Shape
4PCS



D

Protection Under Pad -
I Shape
4PCS



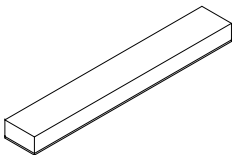
E

Lock
2PCS



F

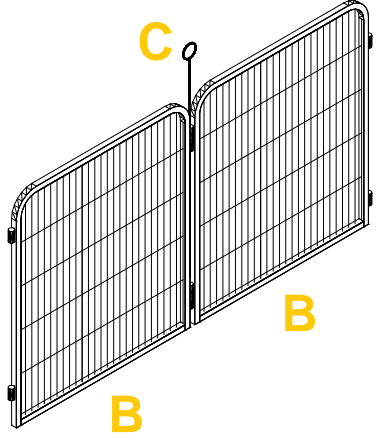
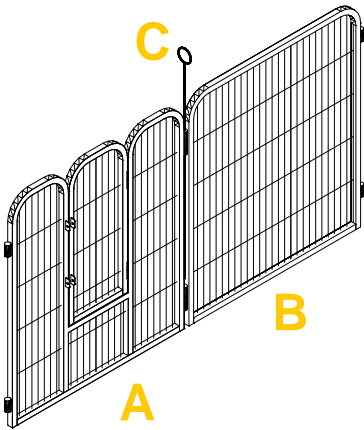
Sound-proof Cotton
2PCS



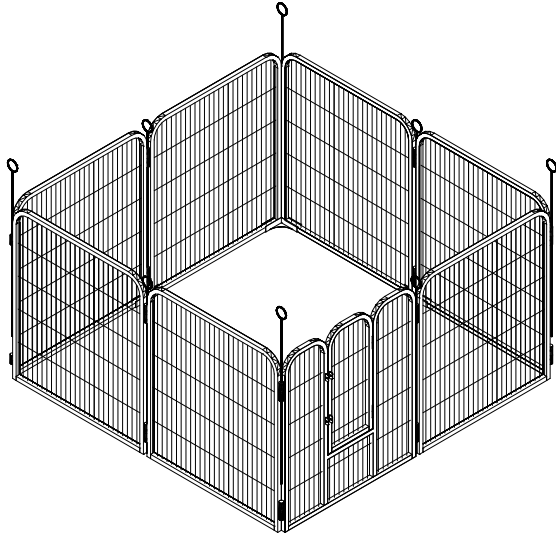
G

PRODUCT ASSEMBLY //

01

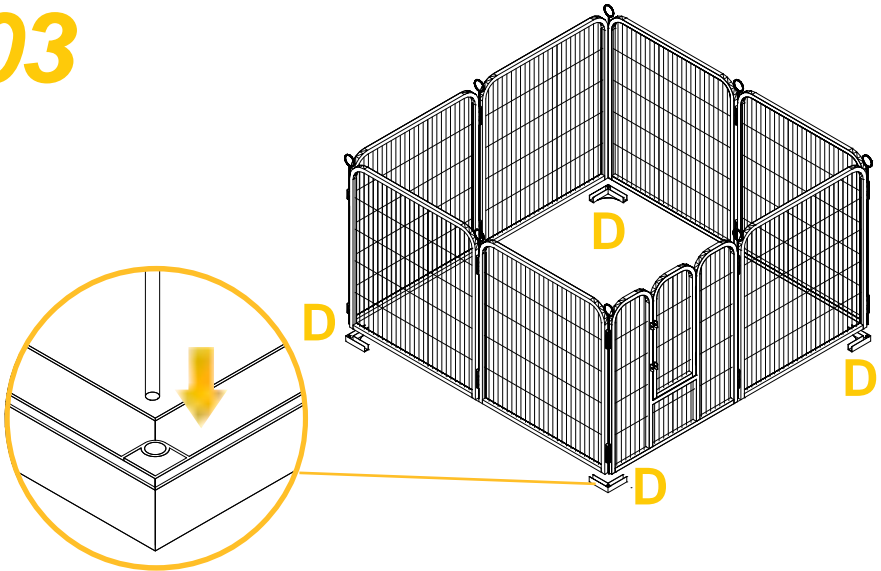


02



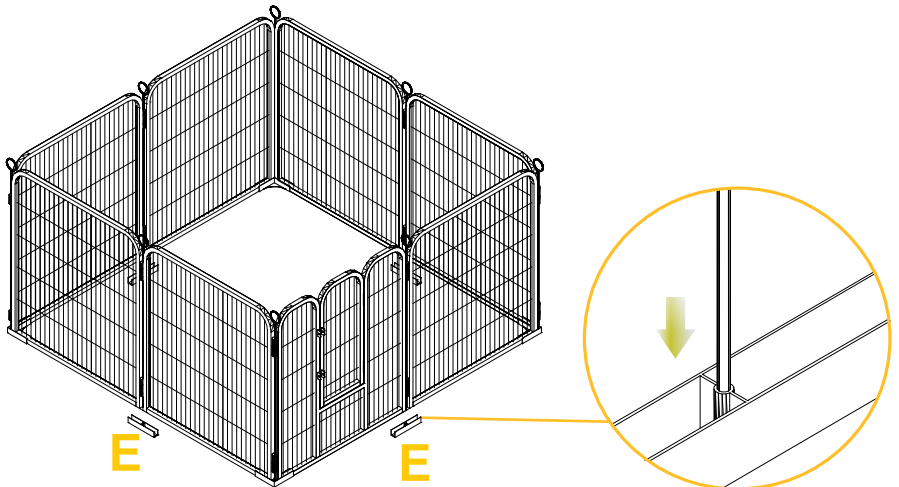
PRODUCT ASSEMBLY //

03



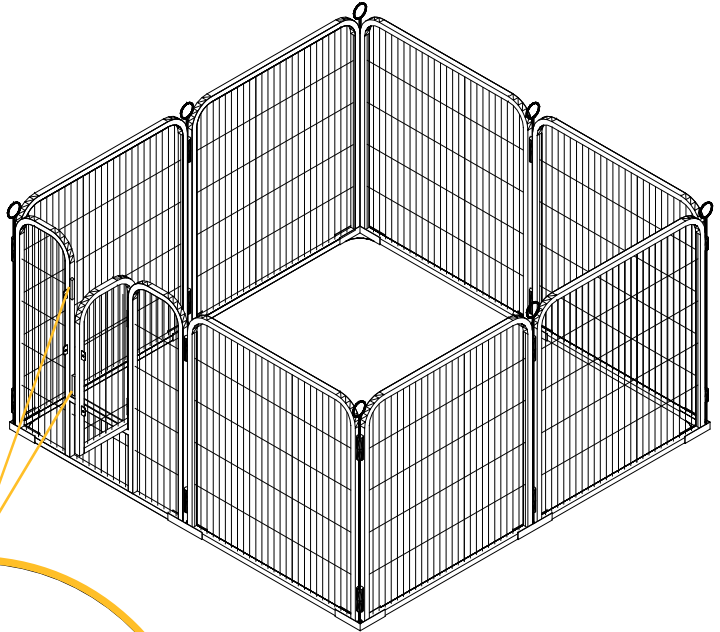
Ensure the steel bars line up with the holes in the pad before assemble together

04

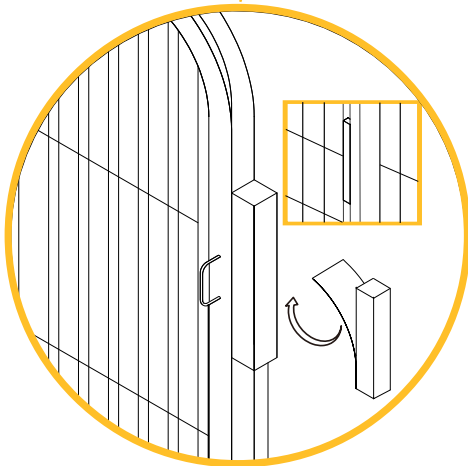


Ensure the steel bars line up with the holes in the pad before assemble together

05

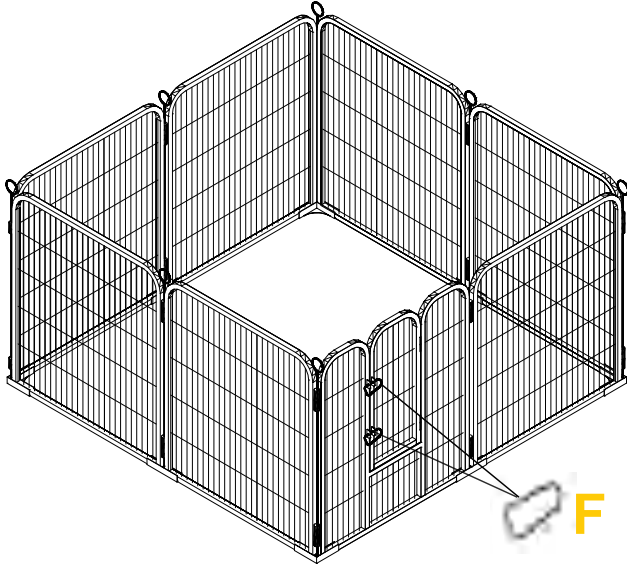


Gx2

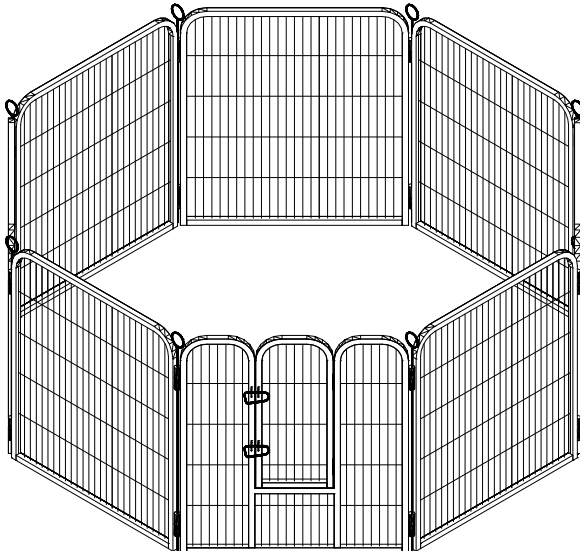


Stick the sound-proof cotton on the gap to reduce the shaking sound of door

06



07





WARNING

Manufacturer and seller expressly disclaim any and all liability for personal injury, property damage or loss, whether direct, indirect, or incidental, resulting from the incorrect attachment, improper use, inadequate maintenance, or neglect of this product.