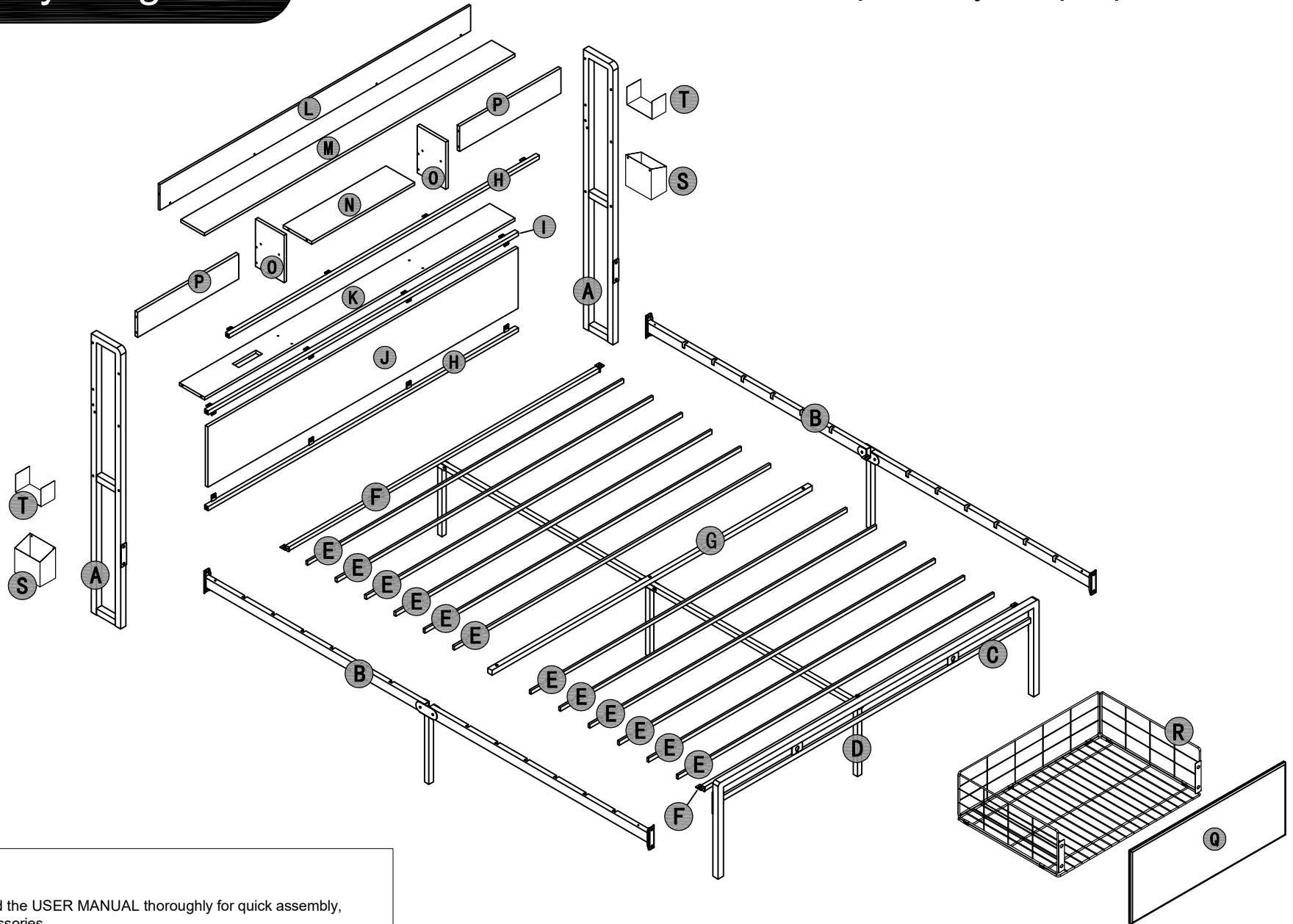


Bed Frame with LED lights  
User Manual

# Disassembly Diagram

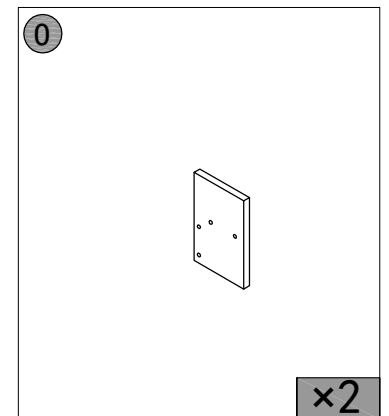
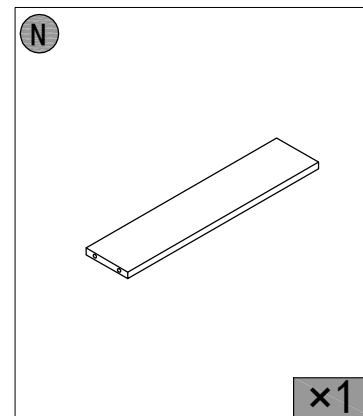
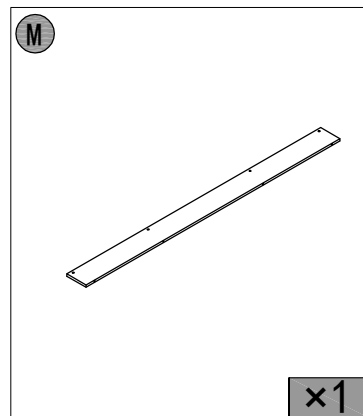
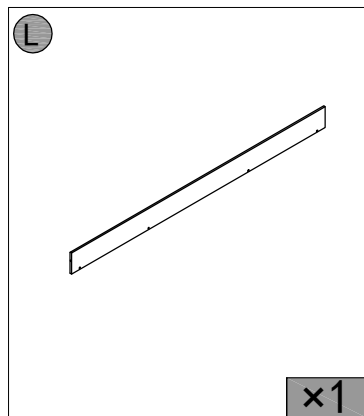
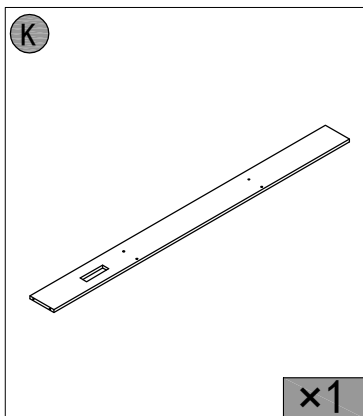
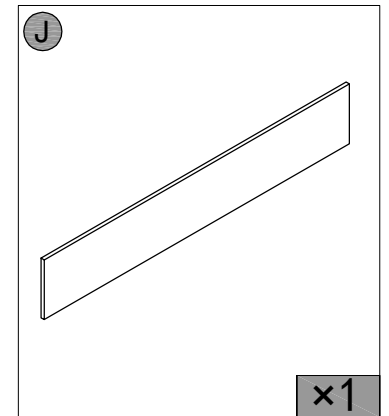
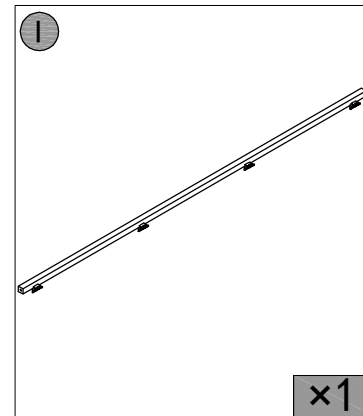
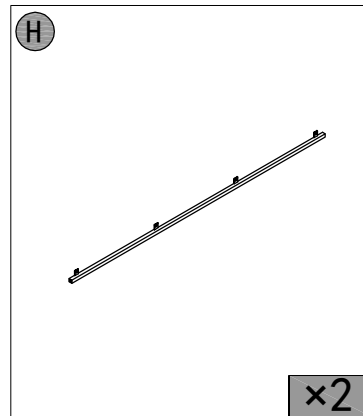
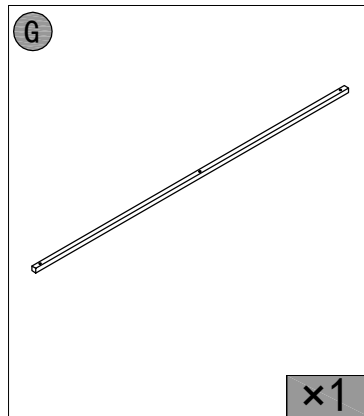
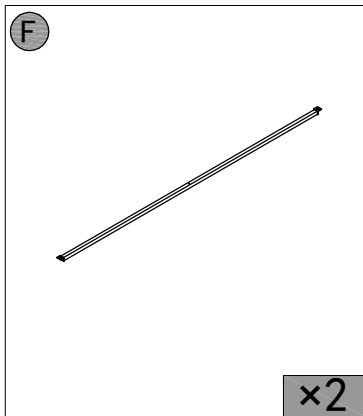
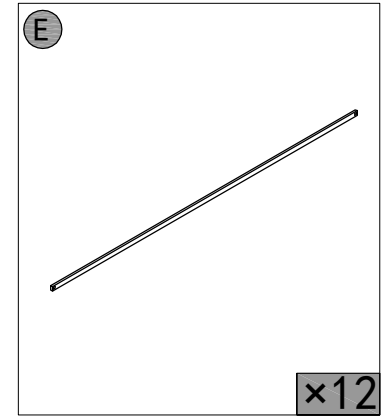
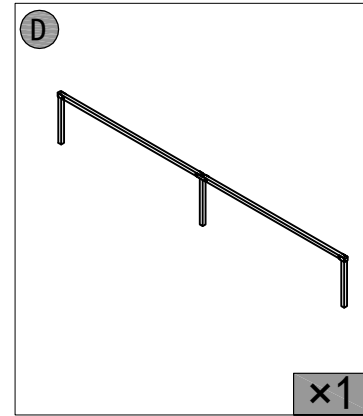
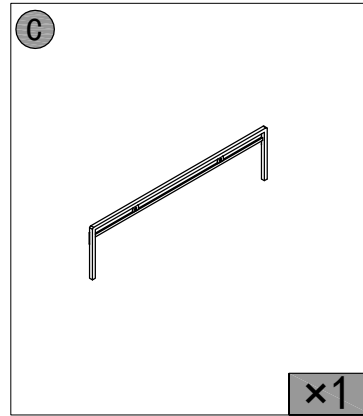
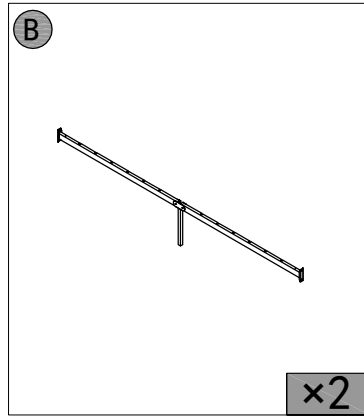
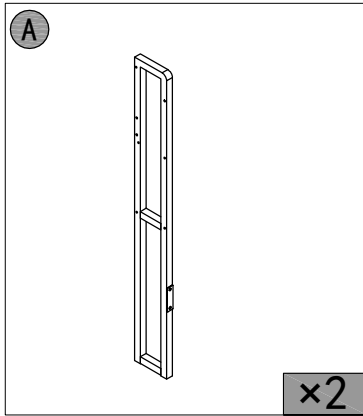
The installation would be easier if completed by two people



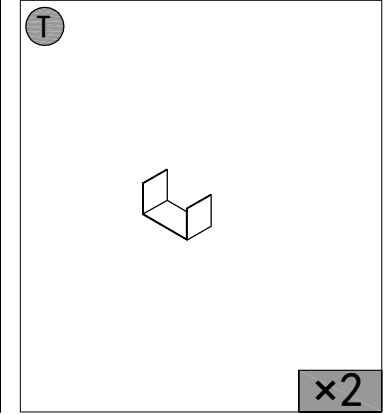
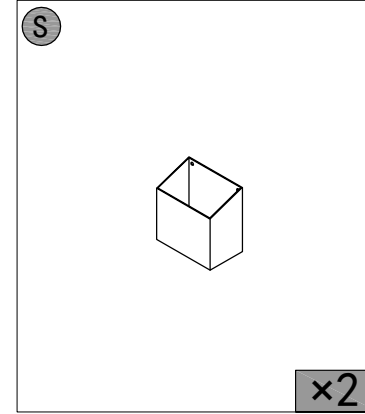
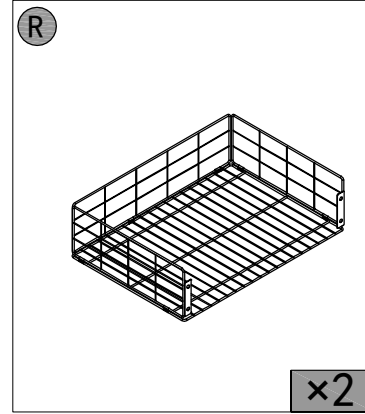
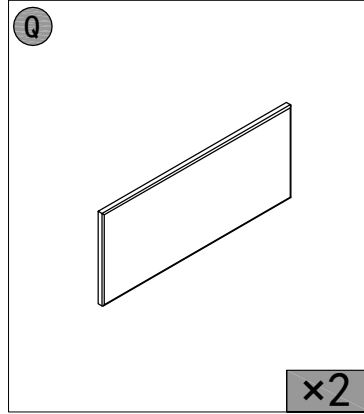
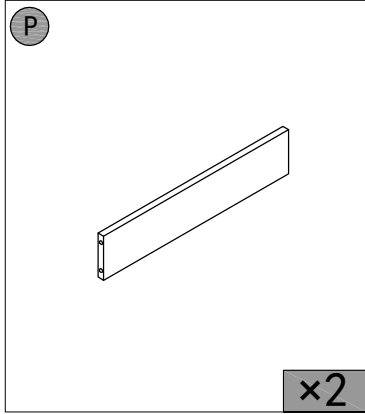
Before assembly, please read the USER MANUAL thoroughly for quick assembly, and check according to Accessories.

If you have any concerns or questions during installation or about product itself, please feel free to contact us via Customer Support Email :

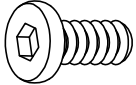
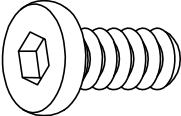
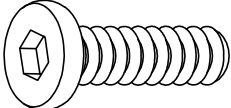
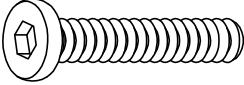


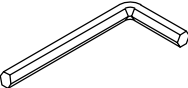
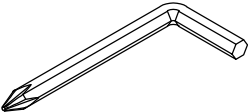
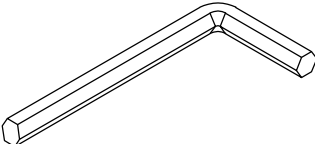
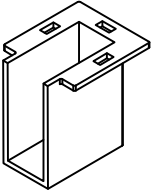
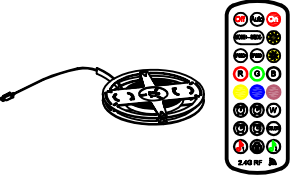

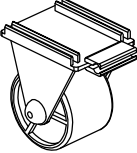
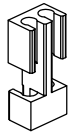
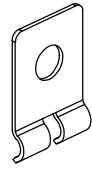
# Accessories



# Accessories

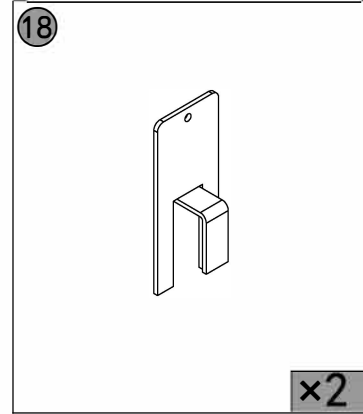
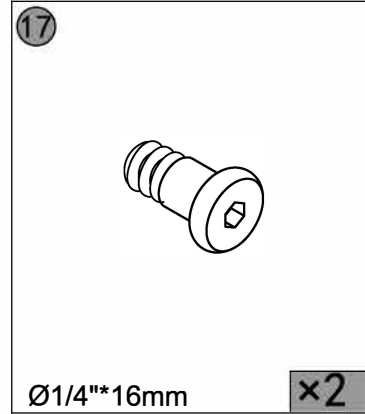
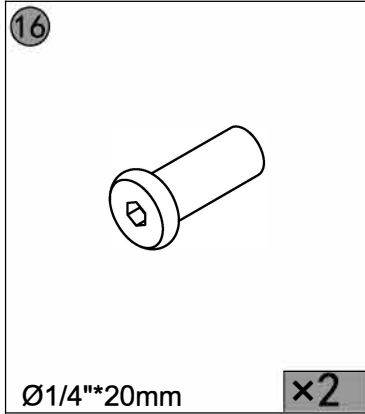


# Accessories

|                                                                                                                         |                                                                                                                         |                                                                                                                      |                                                                                                                          |                                                                                                                        |
|-------------------------------------------------------------------------------------------------------------------------|-------------------------------------------------------------------------------------------------------------------------|----------------------------------------------------------------------------------------------------------------------|--------------------------------------------------------------------------------------------------------------------------|------------------------------------------------------------------------------------------------------------------------|
| <p>1</p>  <p>Ø1/4"*10mm <b>×26</b></p> | <p>2</p>  <p>Ø1/4"*14mm <b>×14</b></p> | <p>3</p>  <p>M8*28mm <b>×2</b></p> | <p>4</p>  <p>Ø1/4"*50mm <b>×9</b></p> | <p>5</p>  <p>Ø5*38mm <b>×24</b></p> |
| <p>6</p>  <p>Ø3.5*12mm <b>×2</b></p>   | <p>7</p>  <p>M3 <b>×1</b></p>          | <p>8</p>  <p>M4 <b>×2</b></p>      | <p>9</p>  <p>M5 <b>×1</b></p>         | <p>10</p>  <p><b>×24</b></p>        |
| <p>11</p>  <p><b>×1</b></p>          | <p>12</p>  <p><b>×1</b></p>          | <p>13</p>  <p><b>×8</b></p>     | <p>14</p>  <p><b>×4</b></p>         | <p>15</p>  <p><b>×2</b></p>       |

If the screws that we've provided does not match your bed frame, please contact us.

## Accessories

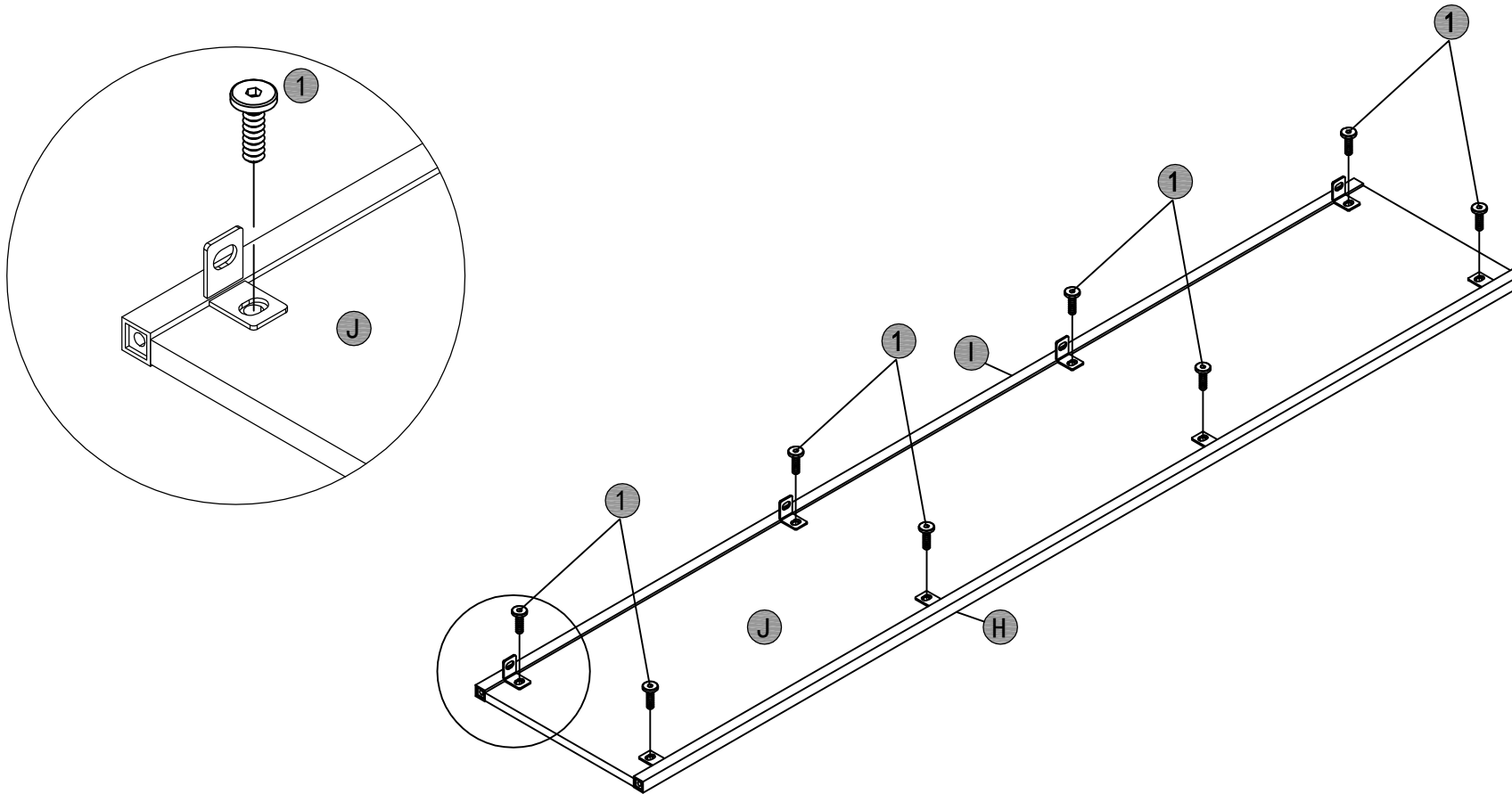


If the screws that we've provided does not match your bed frame, please contact us.



# step 1

Attach frame H & I onto board J using screw 1.



1



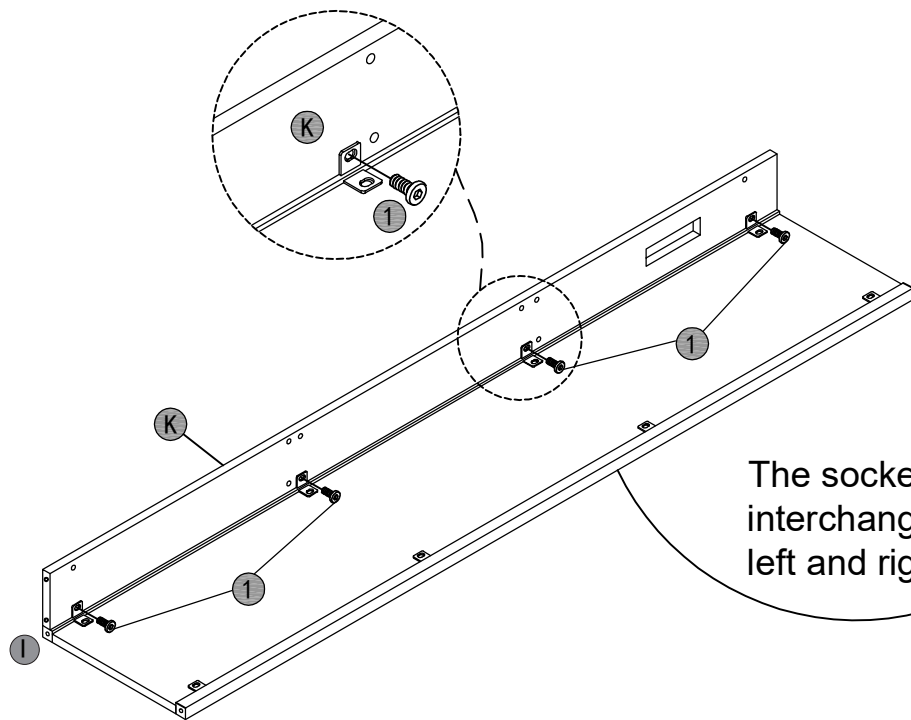
1 × 8 pcs



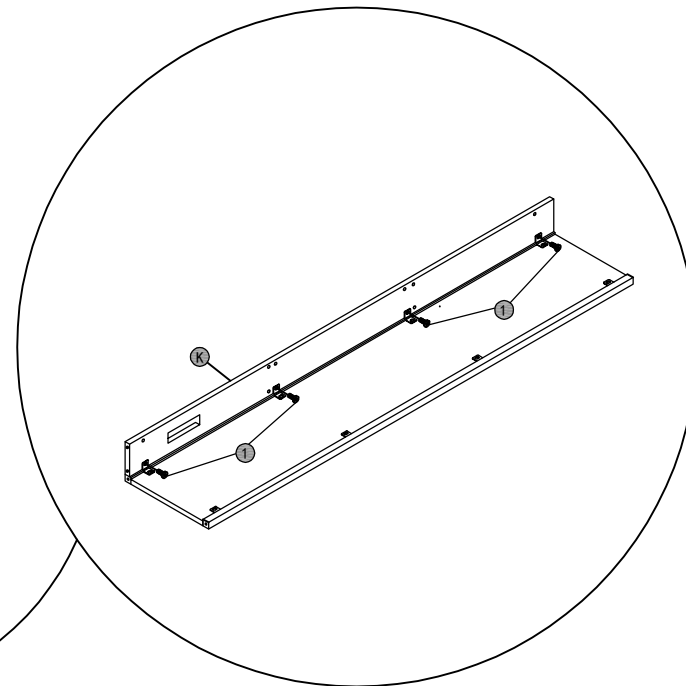
8 × 1 pc

 **step 2**

Use screw 1 to connect board K to frame I.



The sockets are interchangeable left and right



Please tighten the screws **1** to 80% first, and tighten screws **1** 100% after adjusting all the boards line up



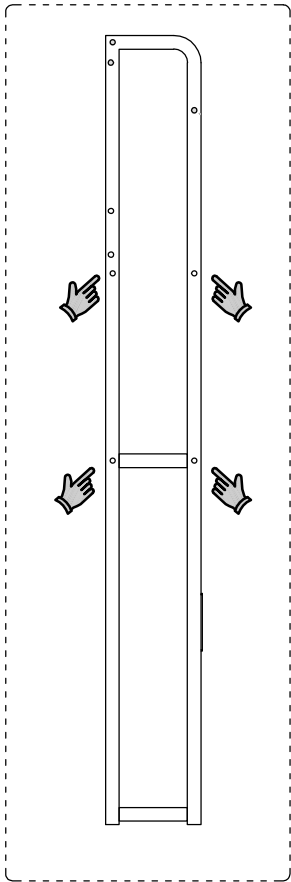
**1** × 4pcs



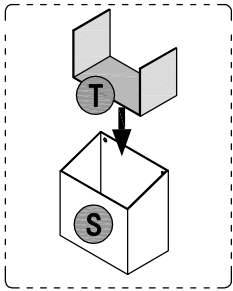
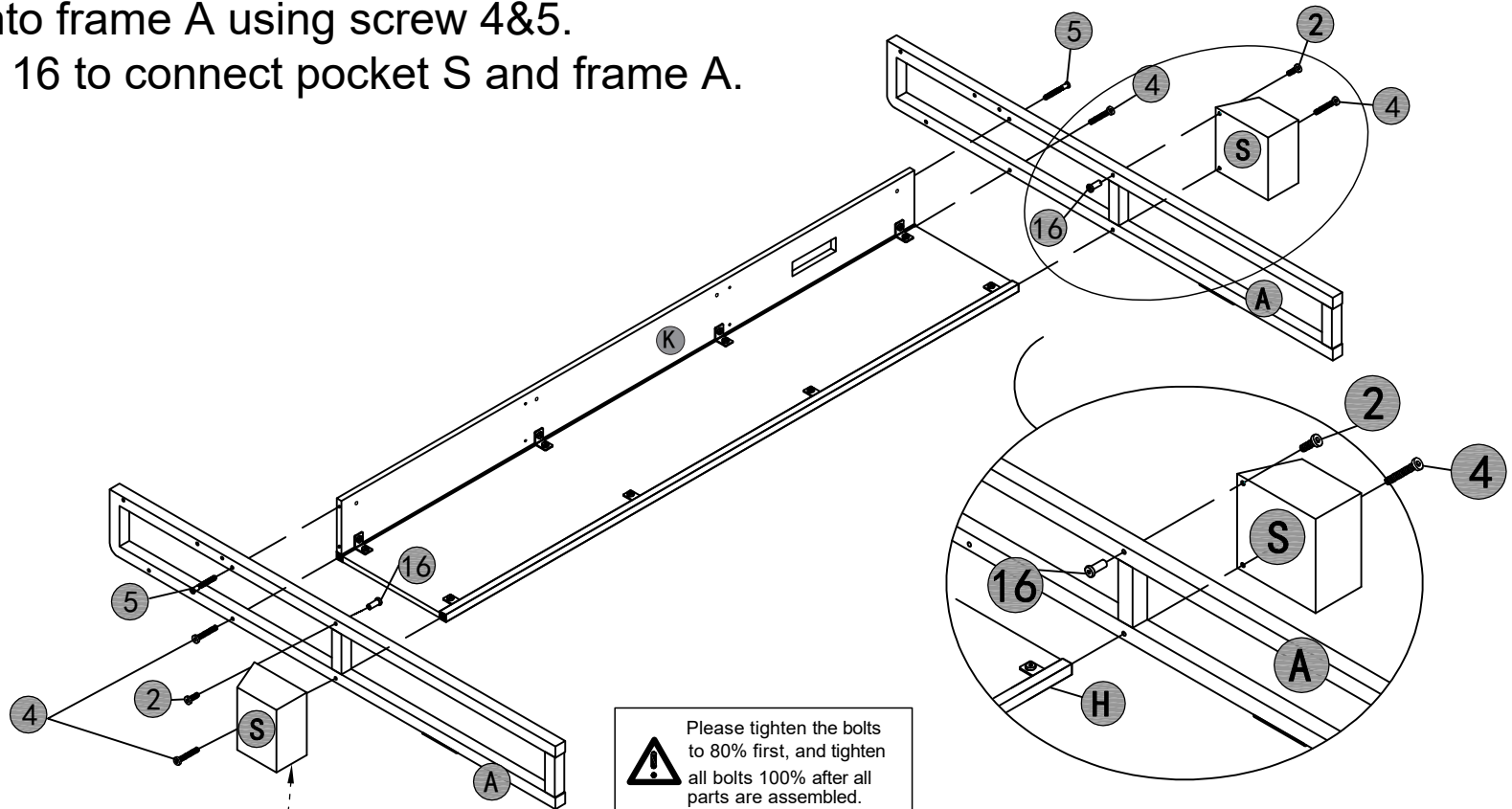
**8** × 1pc


 **step 3**

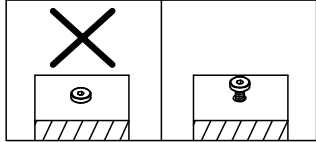
Insert part T into the fabric pocket S.  
 Attach part K&I onto frame A using screw 4&5.  
 Use screws 2 and 16 to connect pocket S and frame A.









Please pay attention to the direction of the metal bolts on Frame A.



 Please tighten the bolts to 80% first, and tighten all bolts 100% after all parts are assembled.

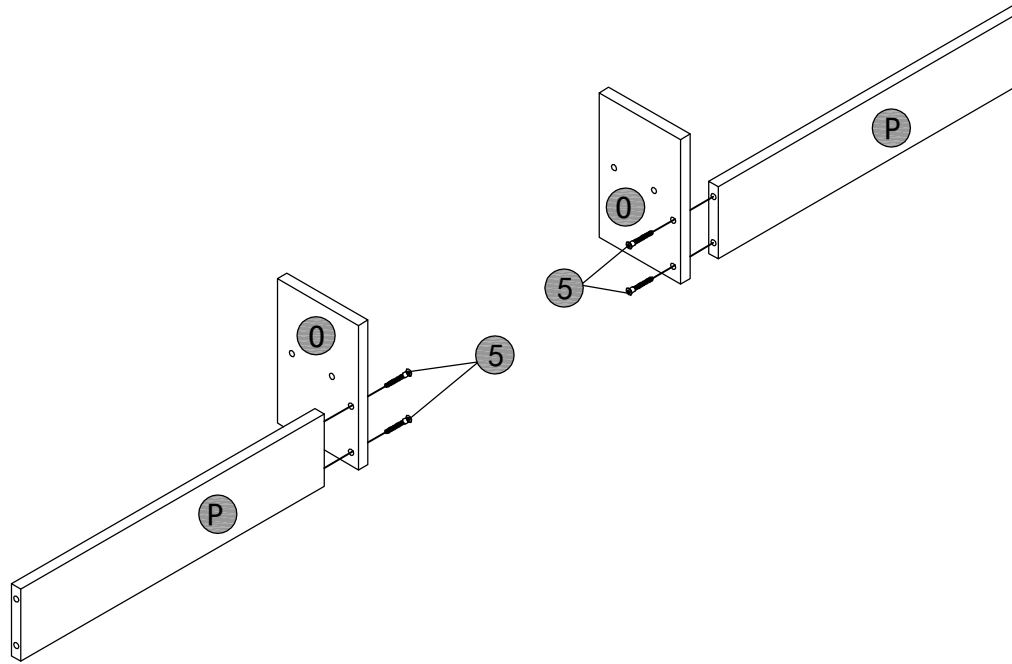


- |                                                                                       |                                                                                       |                                                                                       |                                                                                       |
|---------------------------------------------------------------------------------------|---------------------------------------------------------------------------------------|---------------------------------------------------------------------------------------|---------------------------------------------------------------------------------------|
|  |  |  |  |
| 2 × 2pcs                                                                              | 4 × 4pcs                                                                              | 5 × 2pcs                                                                              | 8 × 2pcs                                                                              |
- 
- |                                                                                       |                                                                                       |
|---------------------------------------------------------------------------------------|---------------------------------------------------------------------------------------|
|  |  |
| 7 × 1pc                                                                               | 16 × 2pcs                                                                             |



# step 4

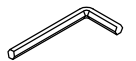
Connect board O & P together using screw 5.



4



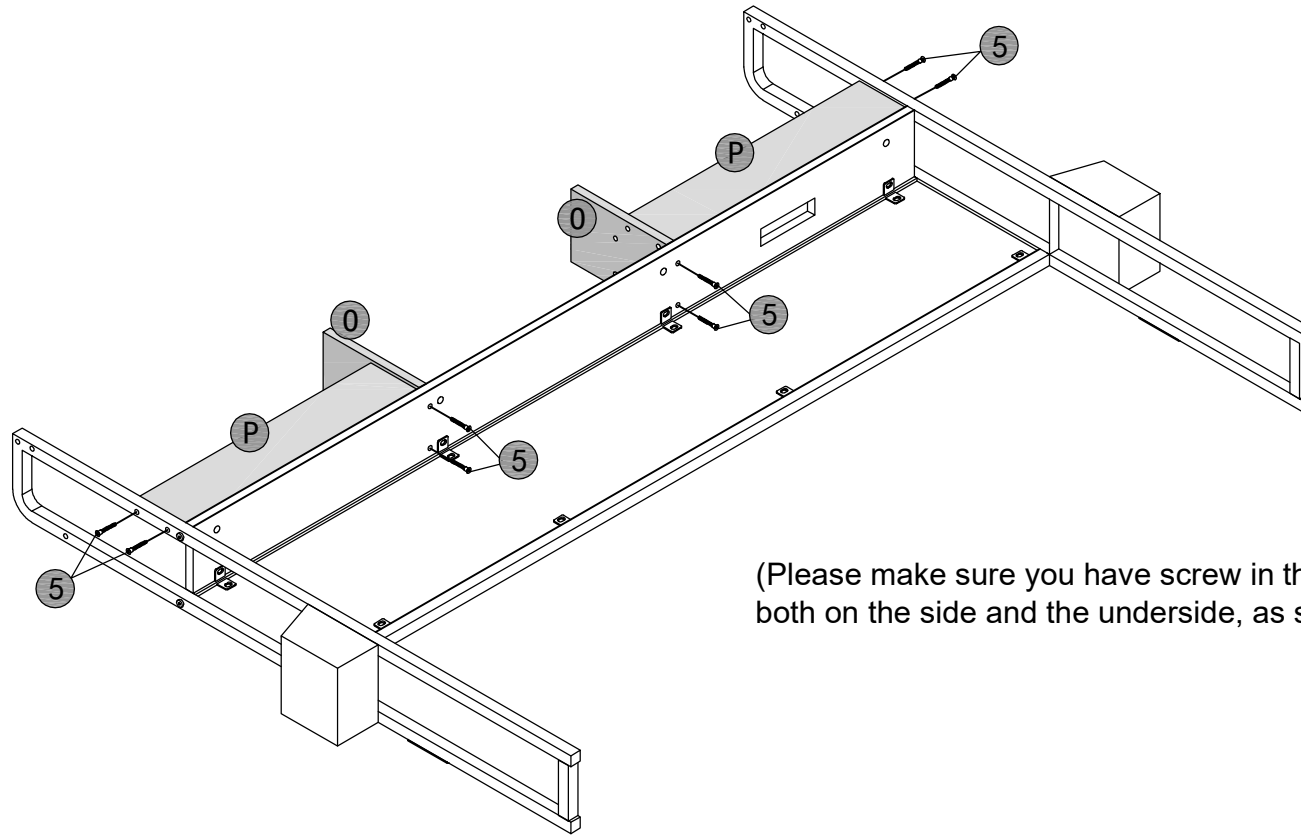
5 x4pcs



7 x1pc

 **step 5**

Attach board O & P onto the structure using screw 5.

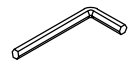


(Please make sure you have screw in the holes both on the side and the underside, as shown.)

5



5 × 8pcs

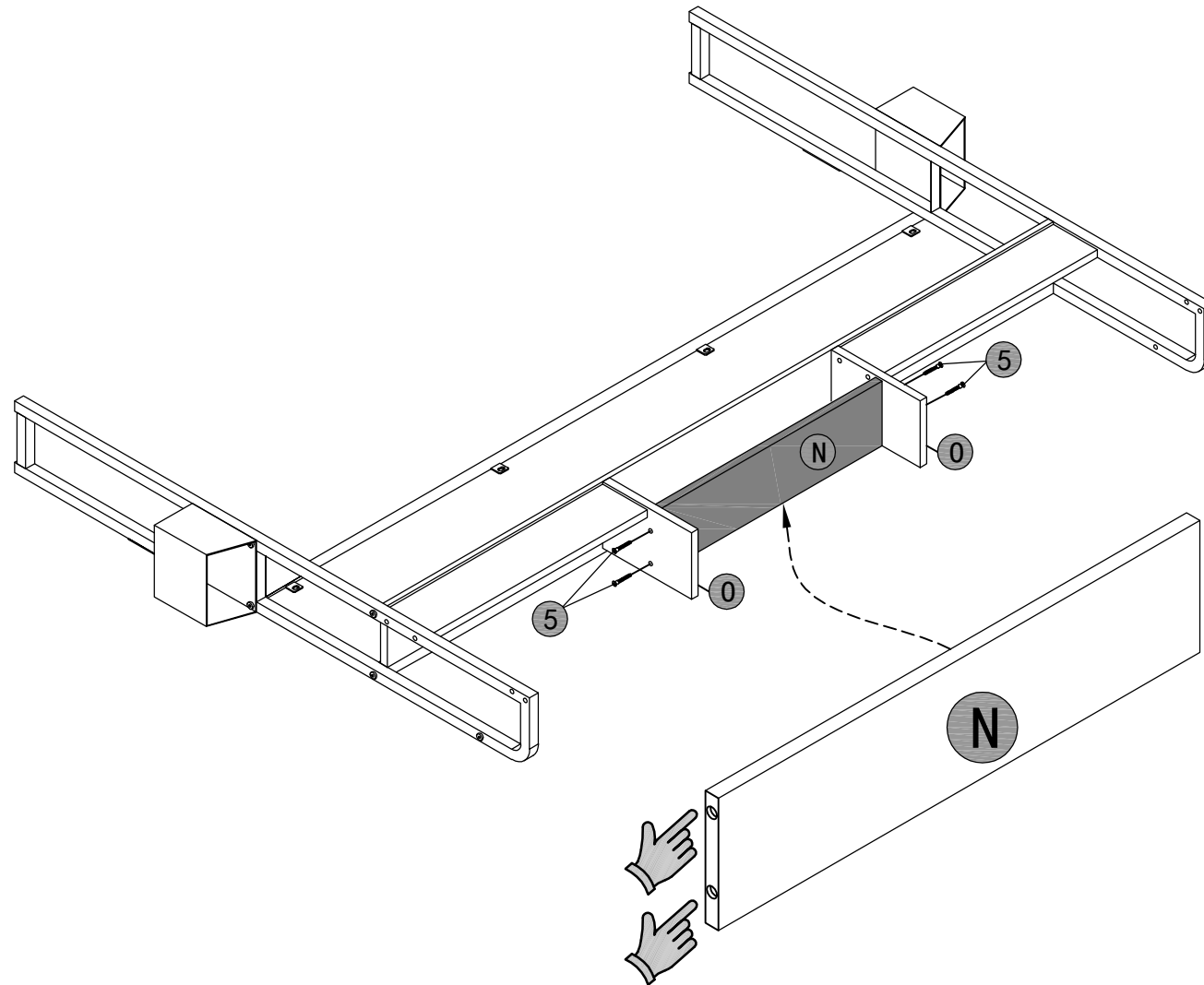


7 × 1pc



# step 6

Connect board N with board O using screw 5.



6



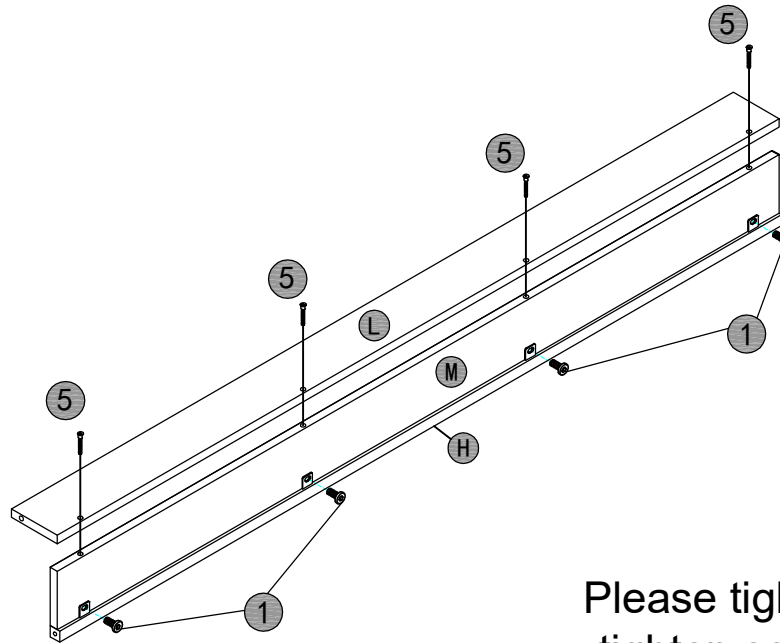
5 × 4pcs



7 × 1pc

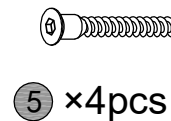
 **step 7**

Connect board L with board M using screw 5.  
Connect board M with frame H using screw 1.



Please tighten the screws **1** to 80% first, and tighten screws **1** 100% after adjusting all the boards line up

7



**5** ×4pcs



**7** ×1pc



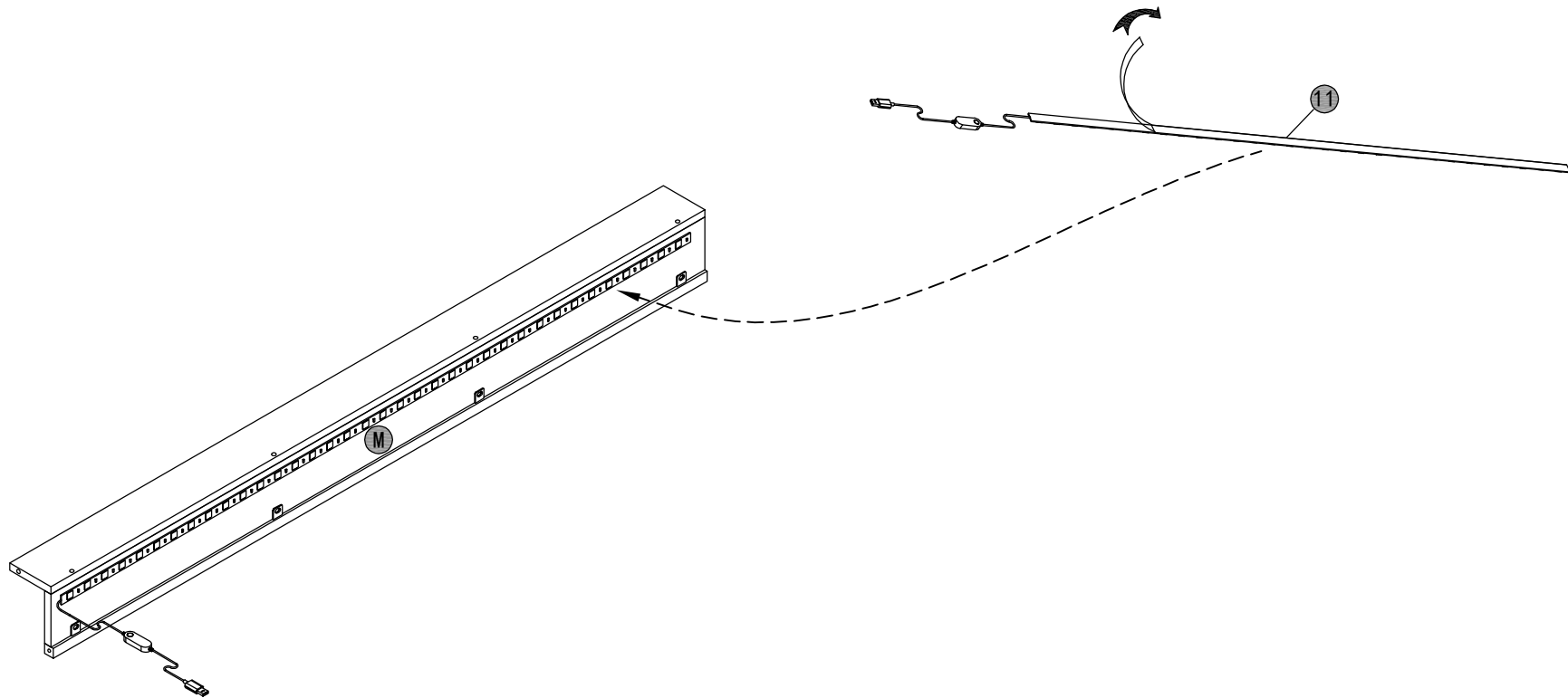
**1** ×4pcs



**8** ×1pc

 step 8

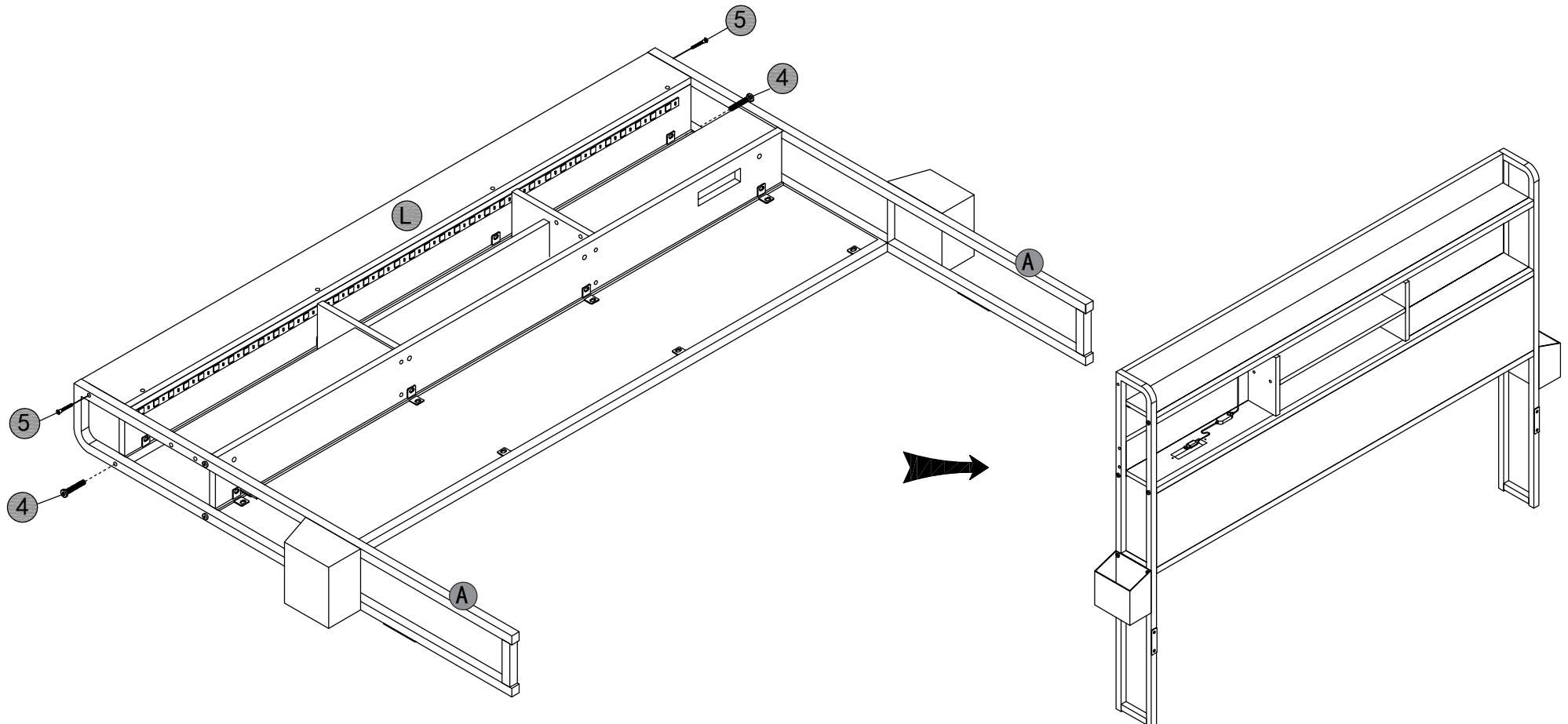
Peel off the sticker on the LED light strip and stick it onto board M (position as shown).



11 × 1pc

 **step 9**

Attach board L onto the big frame using screw 5 and attach frame A with tube H using screw 4.



9



5 × 2pcs



7 × 1pc



4 × 2pcs

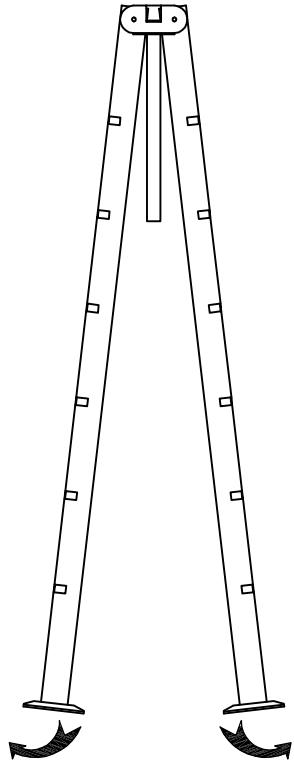


8 × 1pc

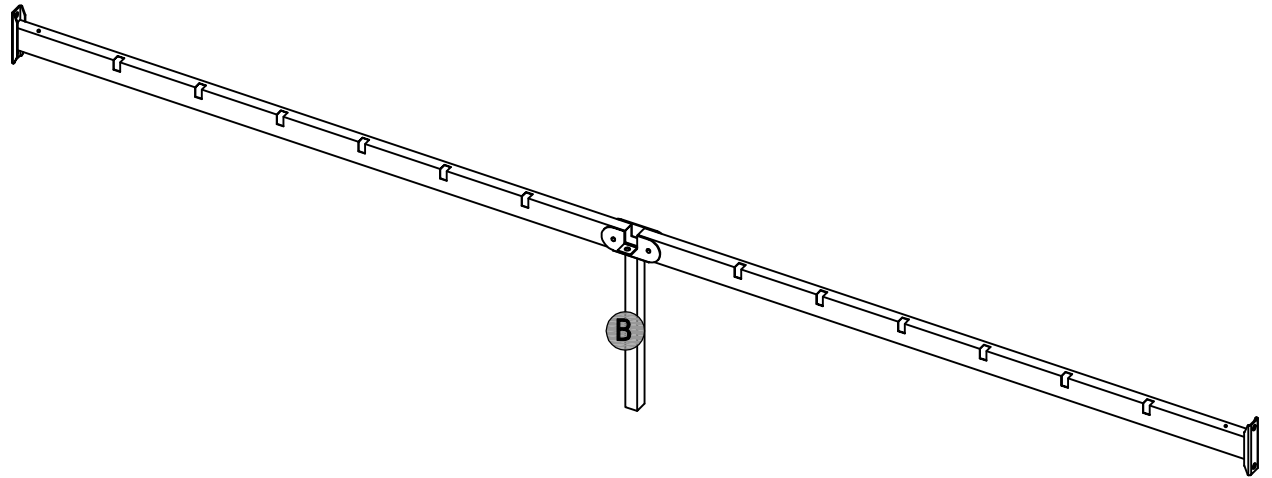


# step 10

Unfold frame B .



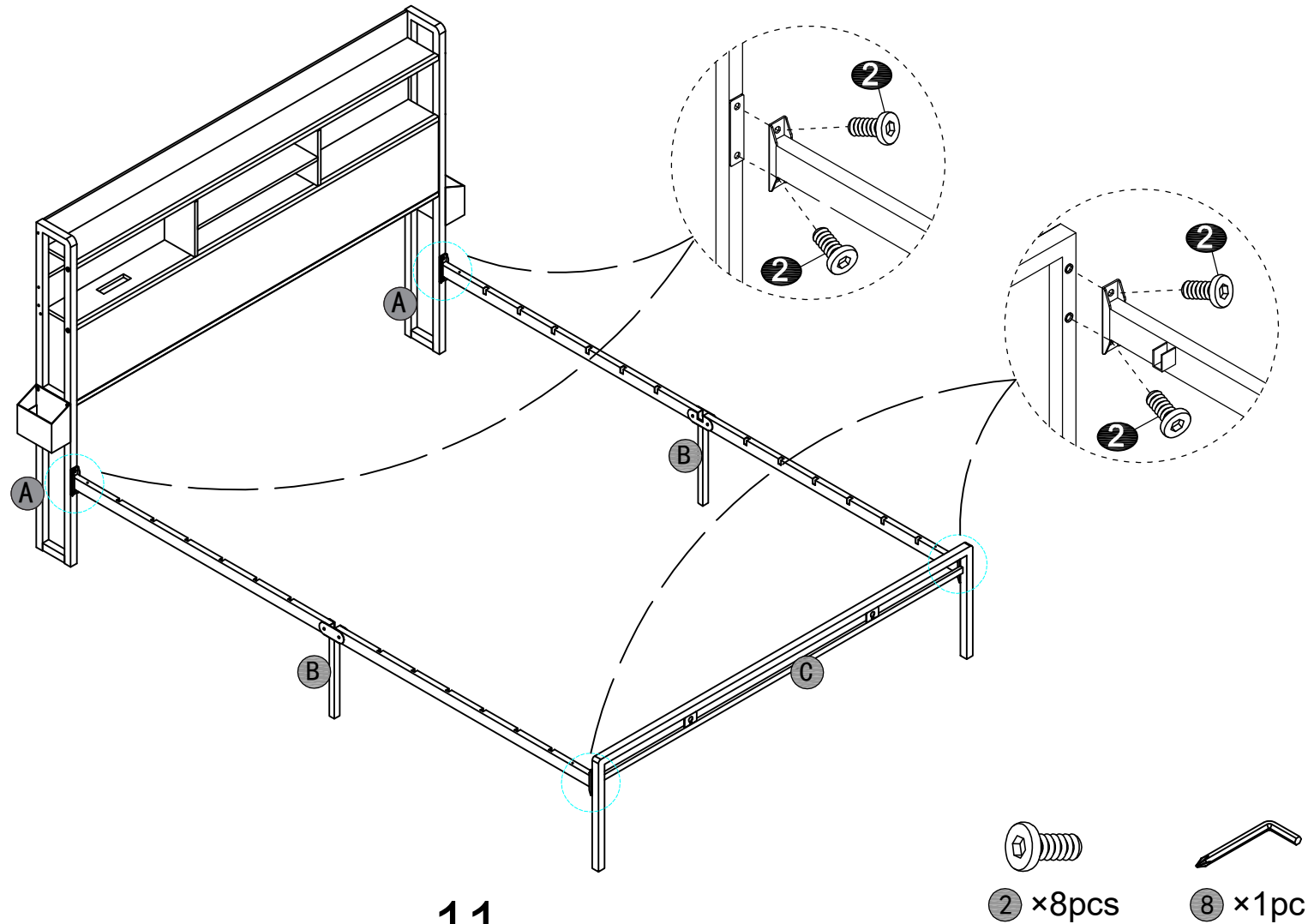
x2



 **step 11**

Connect part B onto the headboard using screw 2.

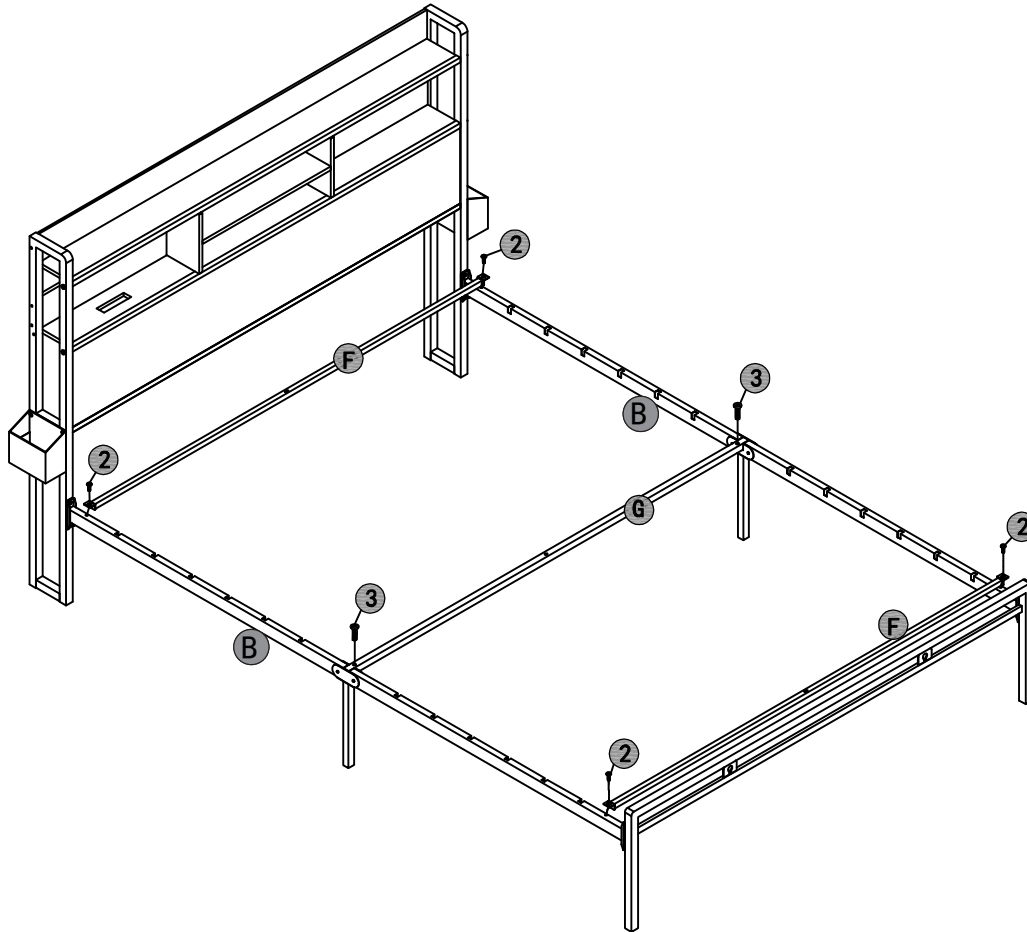
Connect part B to the bed-end of the bed frame using screw 2.



 **step 12**

Insert frame G into the slot (as shown) and fix them with screw 3.

Insert frame F into the middle of the bed beam and secure it with screws 2.



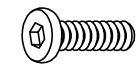
12



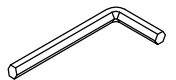
2 × 4pcs



8 × 1pc



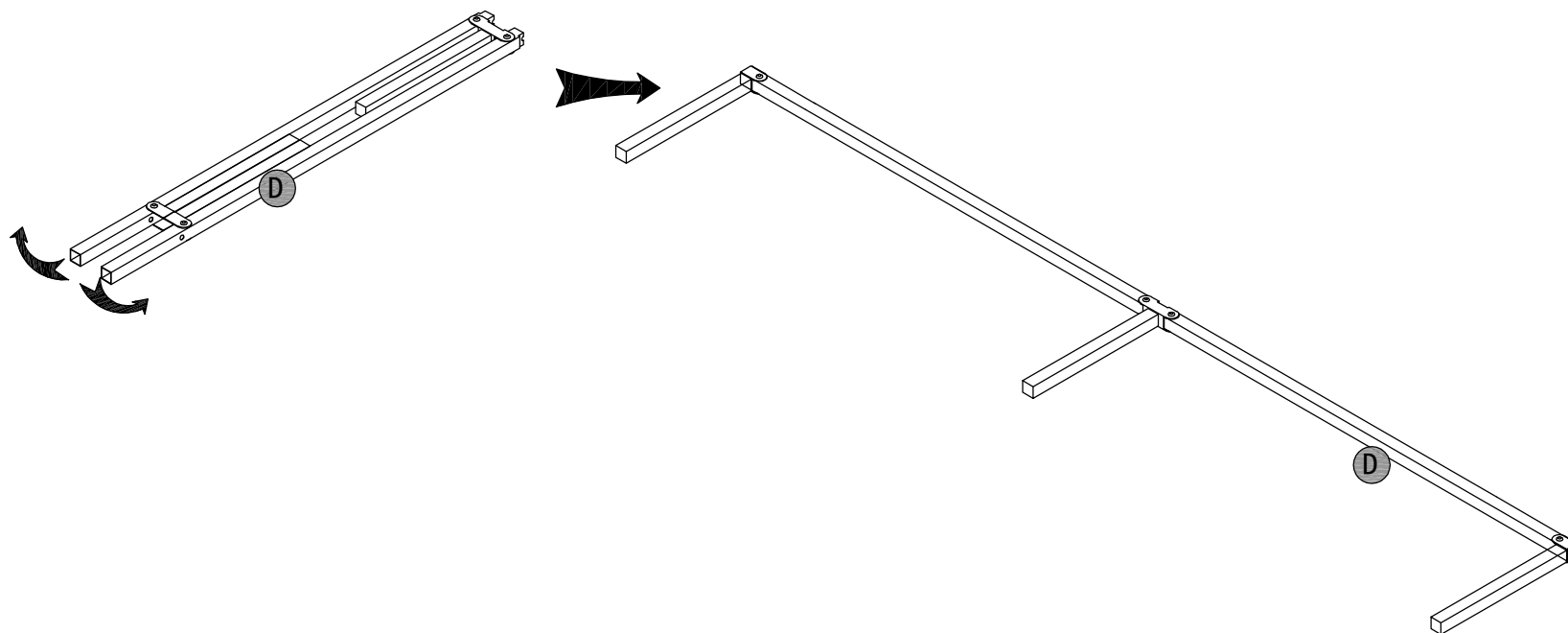
3 × 2pcs



9 × 1pc

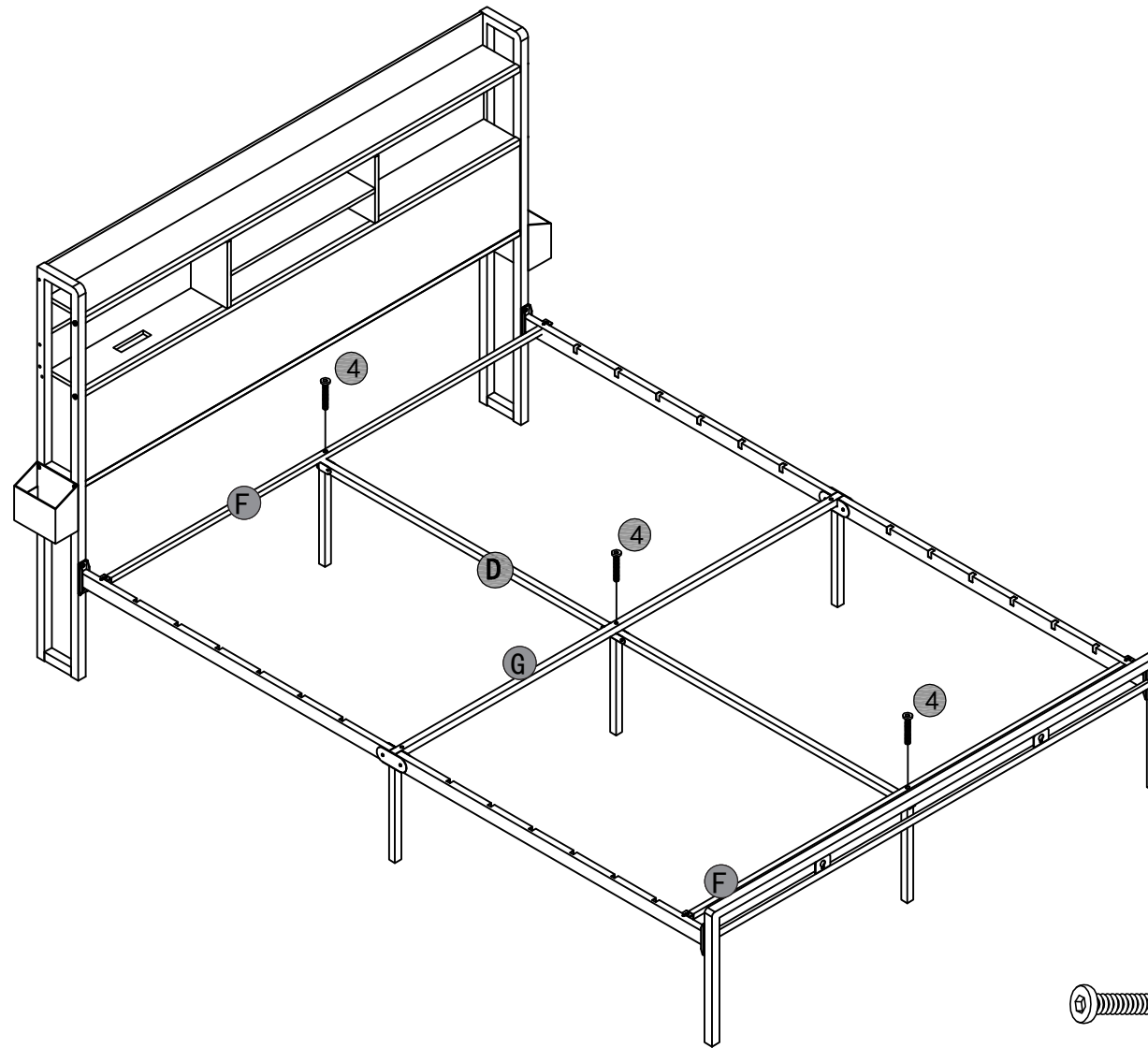
 **step 13**

Unfold frame D.



 **step 14**

Fix frame D onto the underside of the bed frame using screw 4.



4 × 3pcs

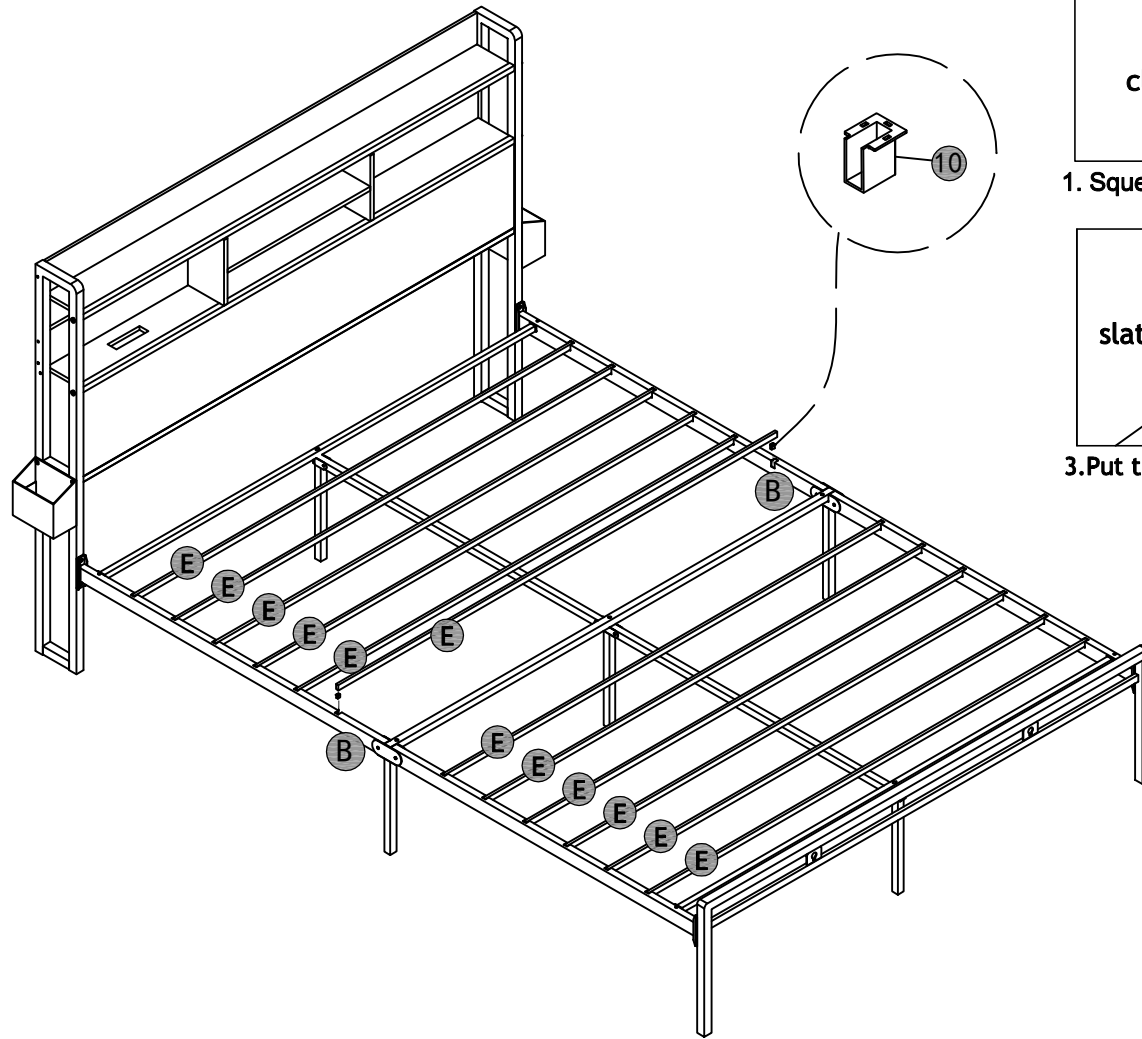


8 × 1pc

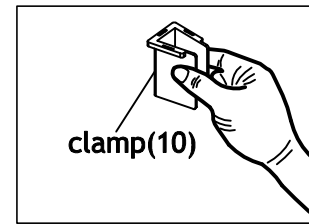


# step 15

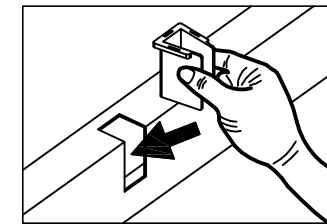
Attach part 10 onto both sides of frame B.  
Insert frame E into the slot shown.



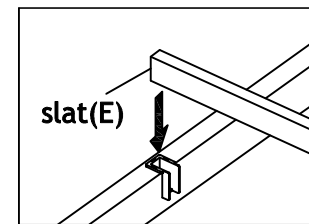
## Assemble the slats



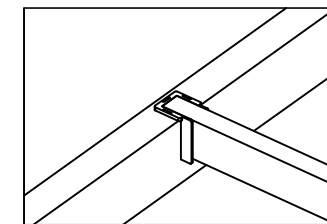
1. Squeeze the clamp (10) tightly.



2. Put the clamp into the gaps.



3. Put the slat (E) into the clamp.



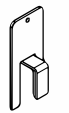
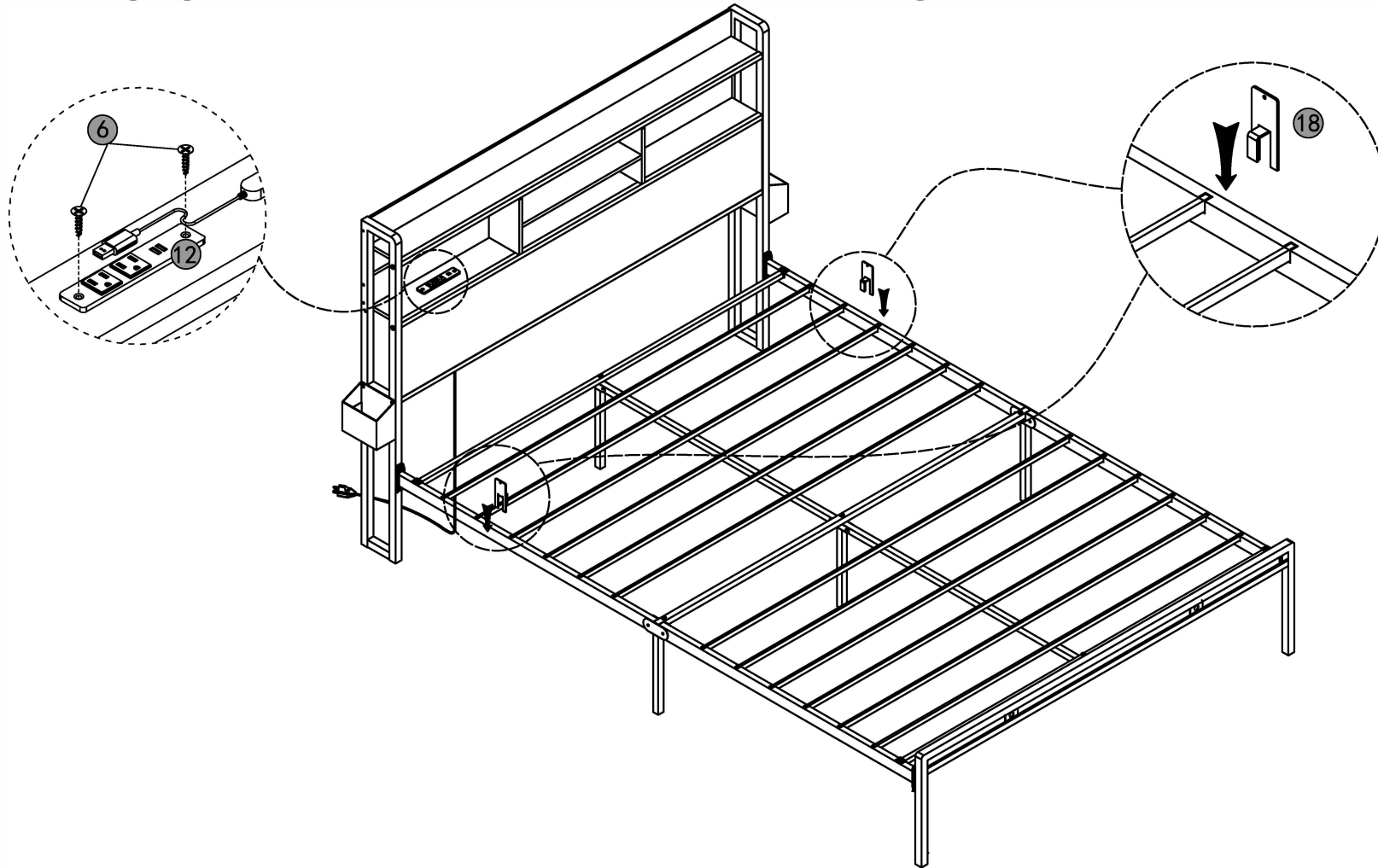
4. Finished.



10 × 24pcs

 **step 16**

Attach charging station 12 onto the headboard slot using screw 6.



18 x2pcs



6 x2pcs



8 x1pc

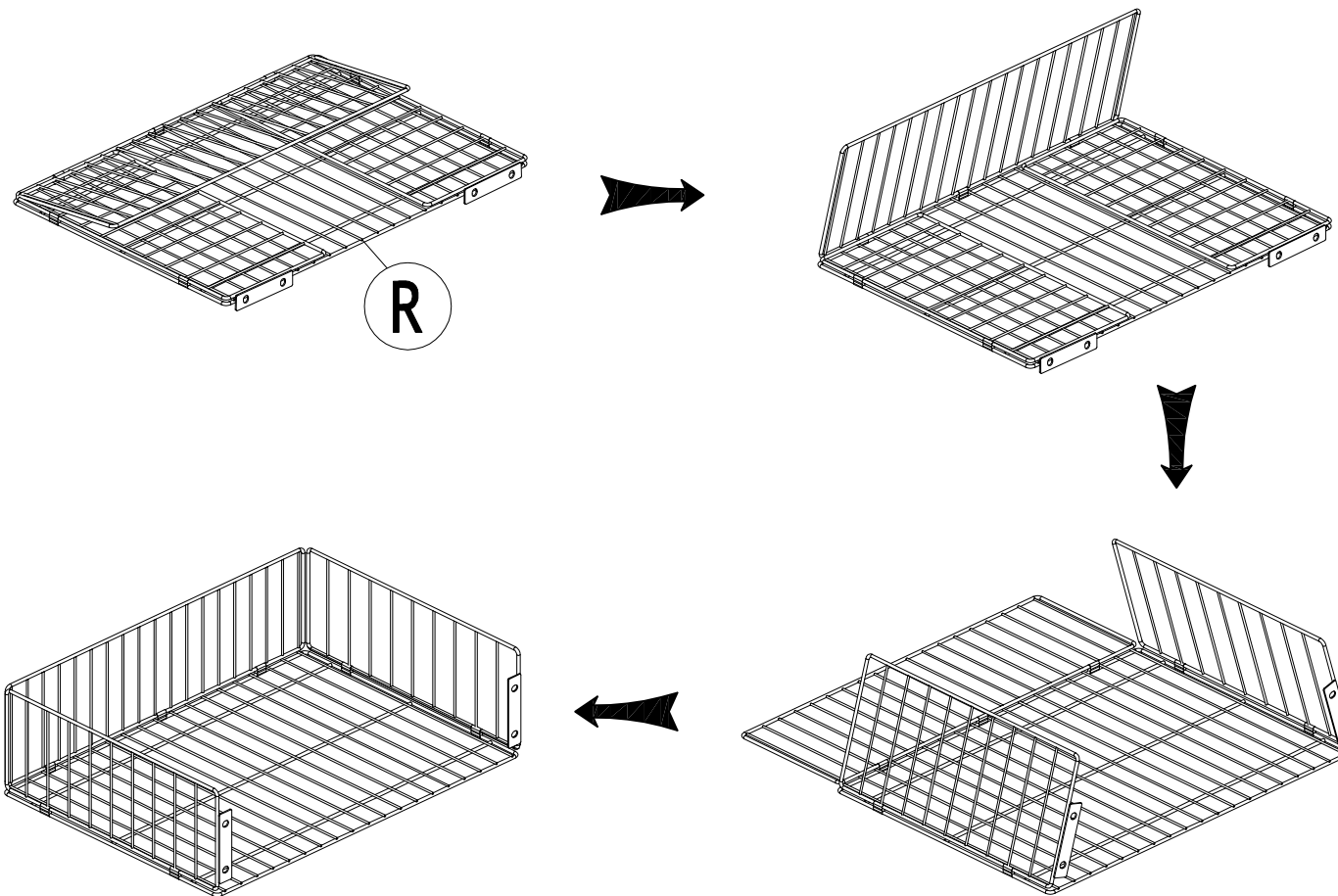


12 x1pc

 step 17

Expand the drawer frame

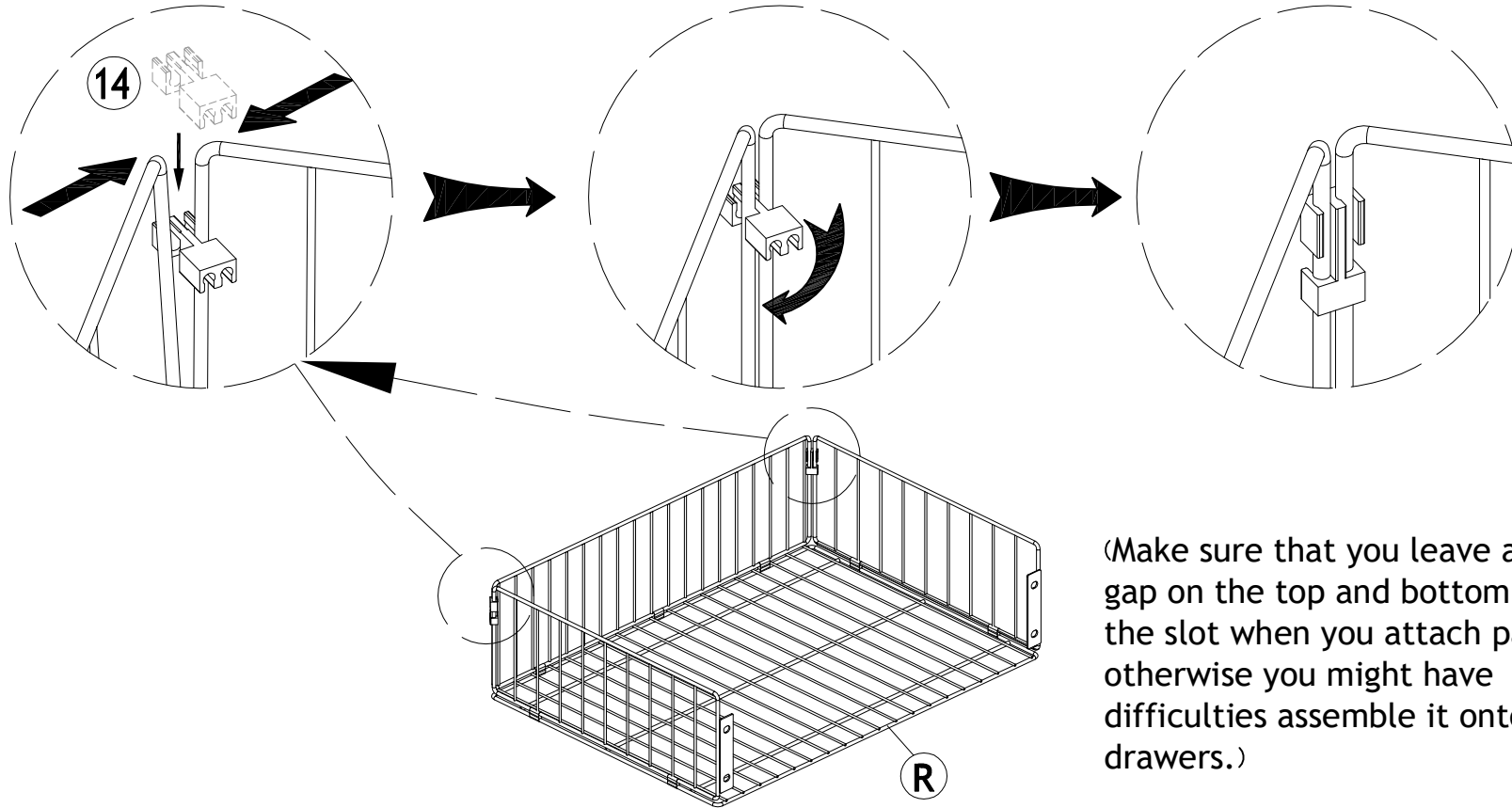
x2



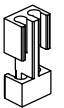
 **step 18**

Attach part 14 onto the drawers (place as shown).

**x2**



(Make sure that you leave an even gap on the top and bottom side of the slot when you attach part 14, otherwise you might have difficulties assemble it onto the drawers.)

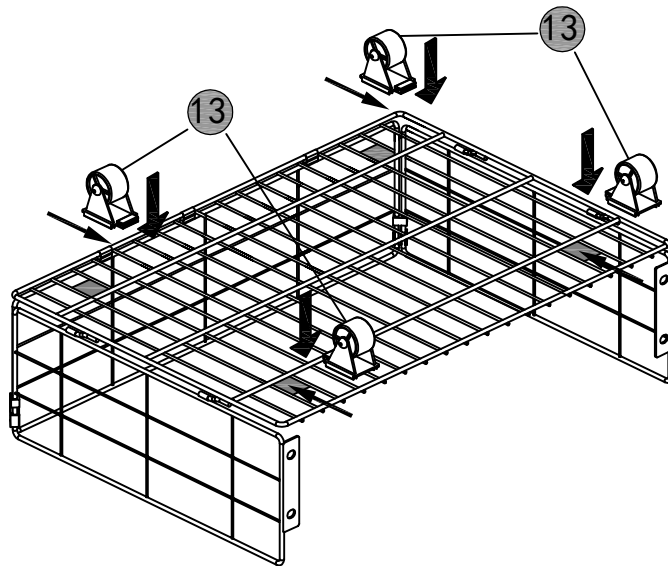
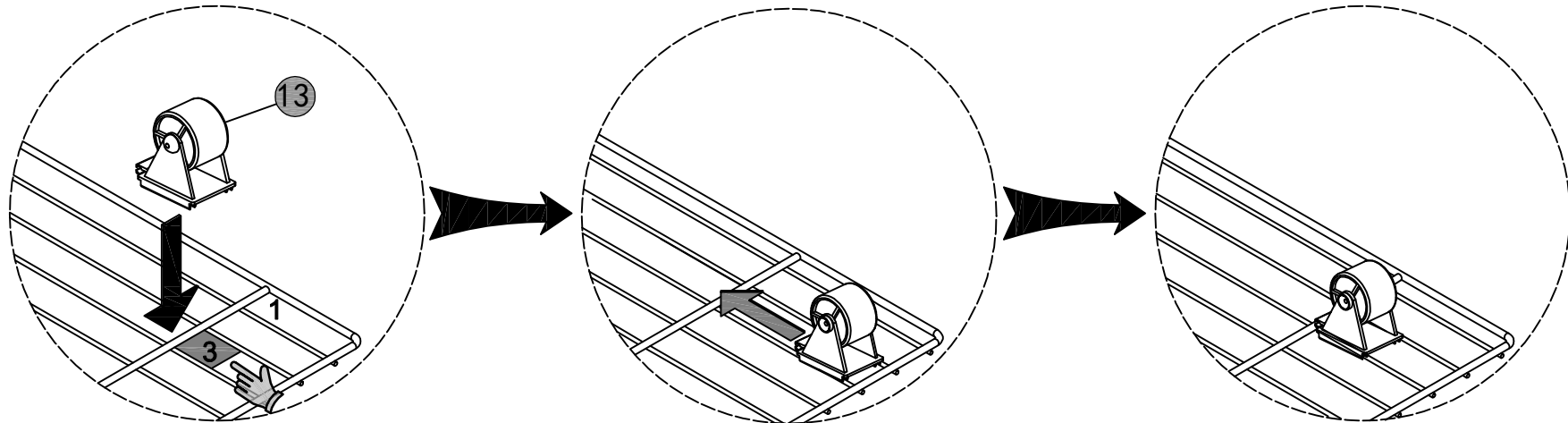


**14** x4pcs

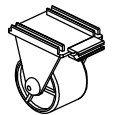
 **step 19**

Click in the rollers.

**x2**



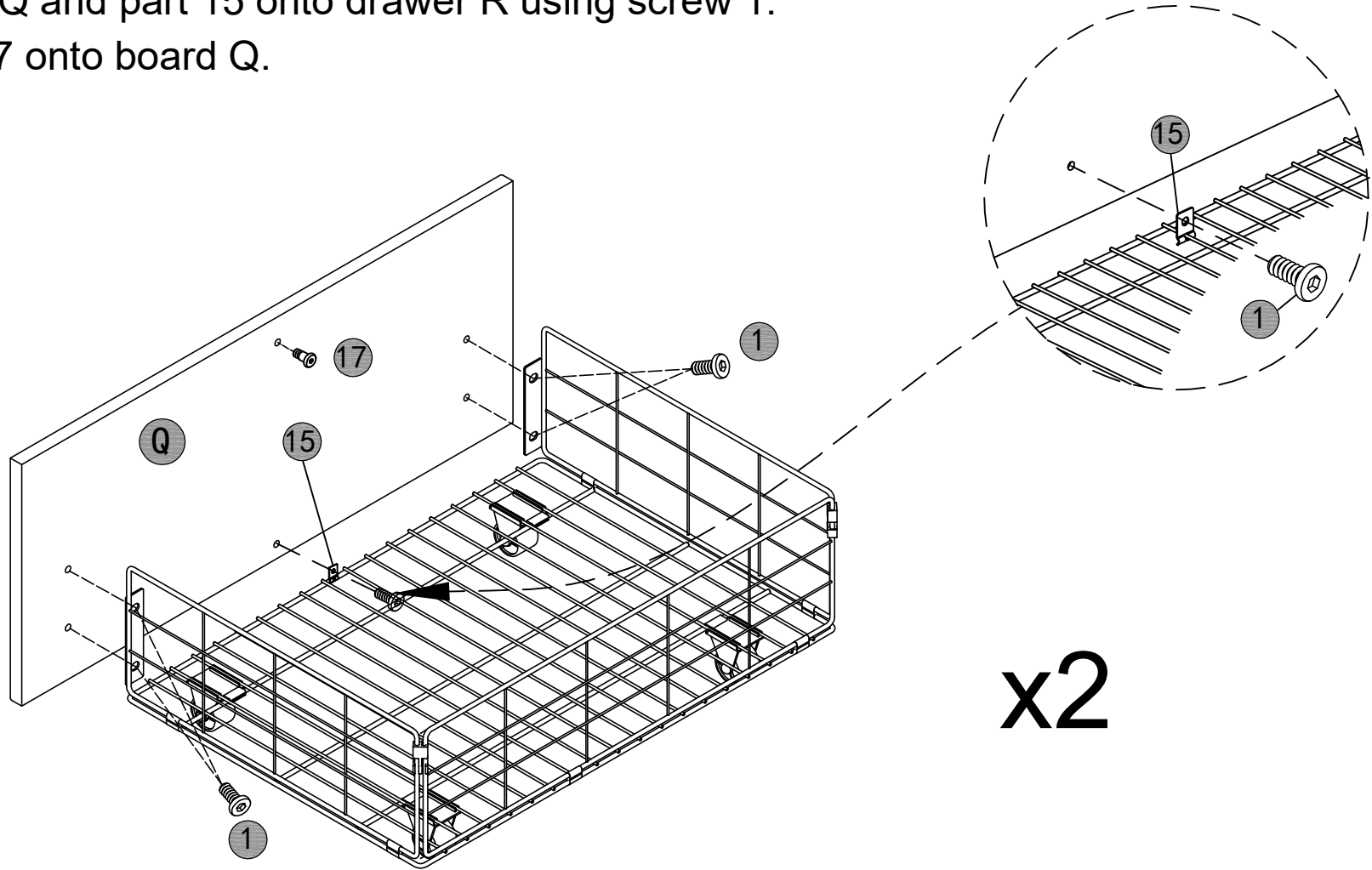
We advise you to place the rollers on each side on the 3rd slot of the metal drawers (as highlighted in gray).



**13** x8pcs


 **step 20**


Attach board Q and part 15 onto drawer R using screw 1.  
Lock screw 17 onto board Q.




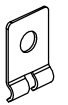
**x2**

**20**

  
**17** x2pcs

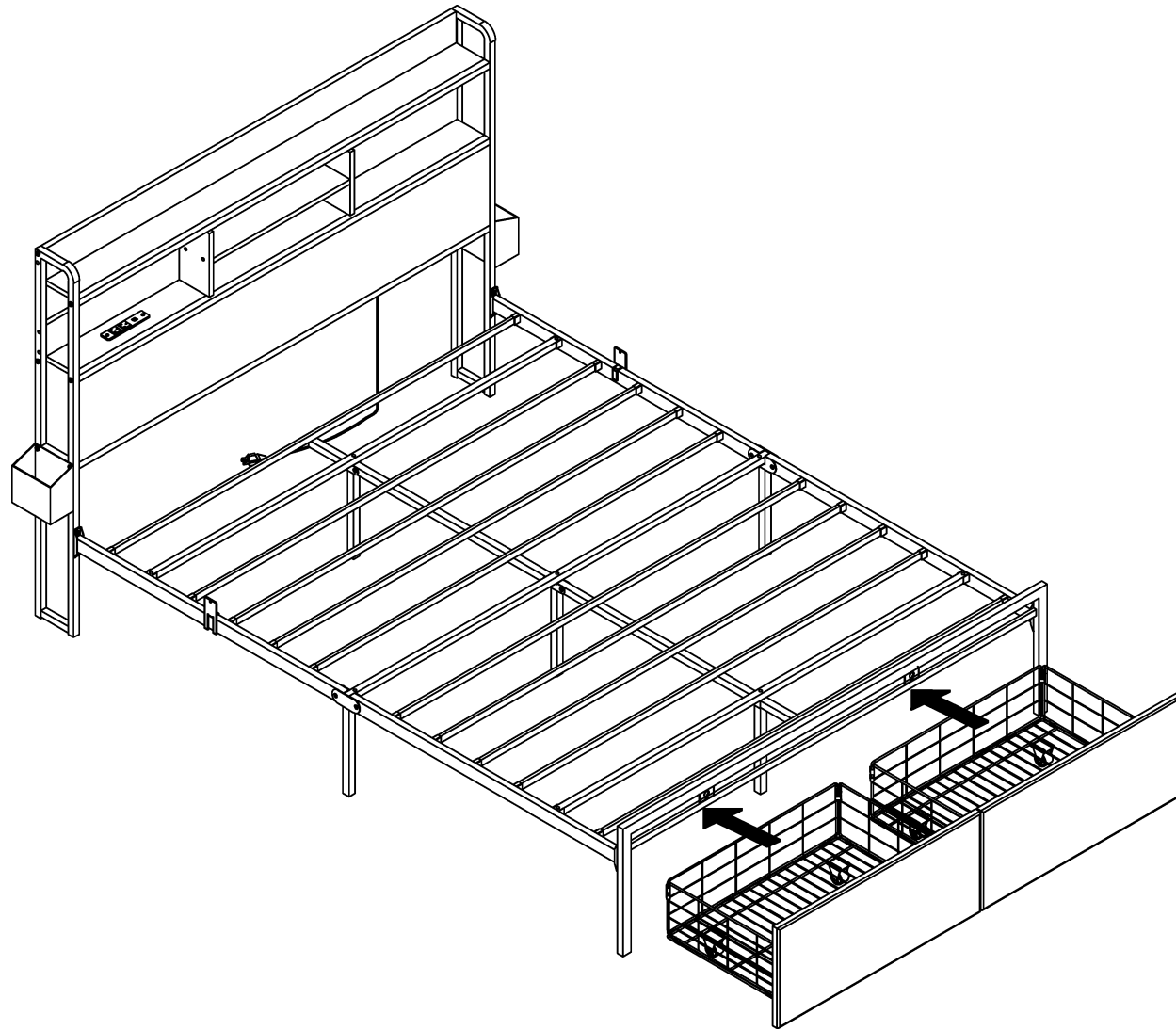
  
**1** x10pcs

  
**8** x1pc

  
**15** x2pcs

 step 21

Insert the metal drawers into the bed frame.



# Customer Service

## 1-Year Warranty

We guarantee your product is free from defects in product material and workmanship for one(1)year starting from the date of purchase during normal use of household conditions. If your appliance fails within the limited warranty period, we will arrange a new replacement free of charge, and cover all the shipping costs.

## Quick Response within 24 Hours

If you are still unable to resolve the issue you are experiencing, please contact us immediately at our support email. It doesn't matter if the product has been installed, our customer support team will respond within 24 hours and assist you quickly and efficiently. The most efficient way to confirm your problem with us is to attach a video or picture illustrating your product issue.

## Problems You May Encounter

| PART          | PROBLEM                                                                    | SOLUTION                                                                                                                                                                                                                                                                              |
|---------------|----------------------------------------------------------------------------|---------------------------------------------------------------------------------------------------------------------------------------------------------------------------------------------------------------------------------------------------------------------------------------|
| Whole Product | Parts are missing, defective or having wrong parts in package.             | You can contact us, and we will get back to you within 24 hours. Or, you can reach US via after-sales email.                                                                                                                                                                          |
|               | Encountering non-human caused damage during usage.                         | If the product is damaged due to non-human causes, please keep the product and send us photos of it. We will ascertain the cause of the product damage within 48 hours and provide you with a satisfactory solution.                                                                  |
| Board Surface | Board Surface is broken, scratched or lack of some screw holes.            | You can contact us, and we will get back to you within 24 hours. Or, you can reach US via after-sales email.                                                                                                                                                                          |
|               | The screw holes that on the board and steel frame don't line up.           | <ol style="list-style-type: none"><li>1. Please tighten the screws on the board by 70%, do not tighten completely.</li><li>2. Adjusting board and steel frame until the screw holes are lined up, then tighten all the screws.</li></ol>                                              |
|               | The wood board is uneven or not tight that has gaps after being assembled. | You can contact us, and we will get back to you within 24 hours. Or, you can reach US via after-sales email.                                                                                                                                                                          |
| Steel Frame   | The steel frame is bent, broken, painted, rusted or damaged.               | You can contact us, and we will get back to you within 24 hours. Or, you can reach US via after-sales email.                                                                                                                                                                          |
|               | The bed frame is unstable after being assembled.                           | <ol style="list-style-type: none"><li>1. Check if the screws are tightened.</li><li>2. Read through out the manual, check are there any parts installed incorrectly or missing assembled.</li><li>3. If your problem still can't be solved, please feel free to contact us.</li></ol> |

If you can't finish the installation, please feel free to contact us via Email.