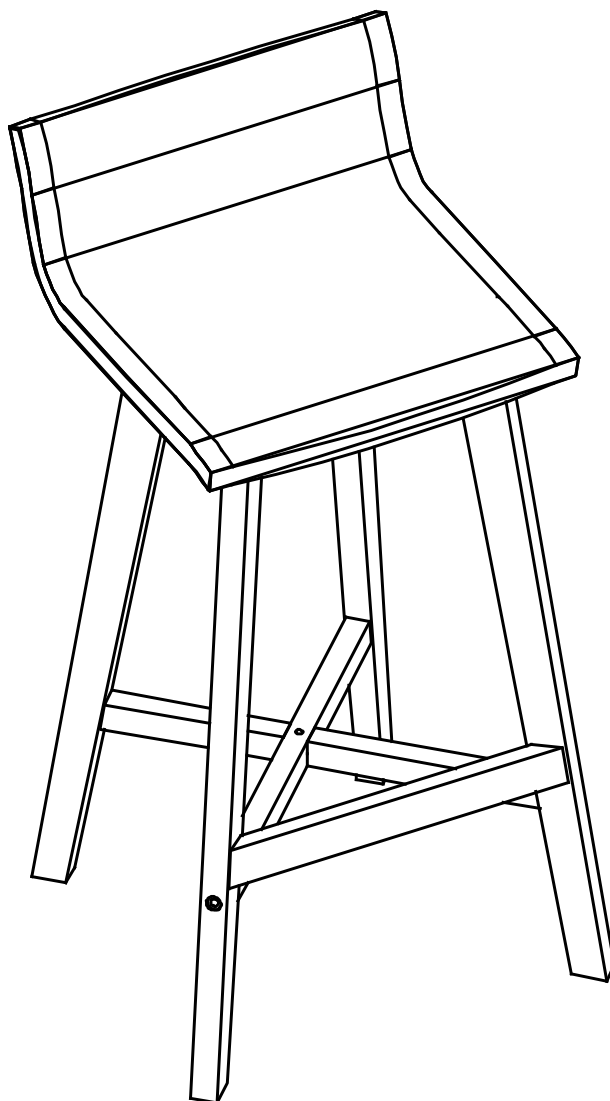


Assembly Instructions

Caution: You must read this before you proceed

Chair

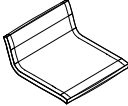



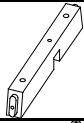
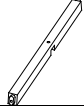
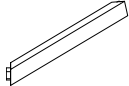


Caution: This Chair is NOT a TOY.

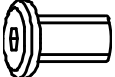







Keep your child/children at bay during the assembly process.

Whenever moving/lifting the Chair and to prevent damage to the Chair, two adults are required to execute these actions.

Part List

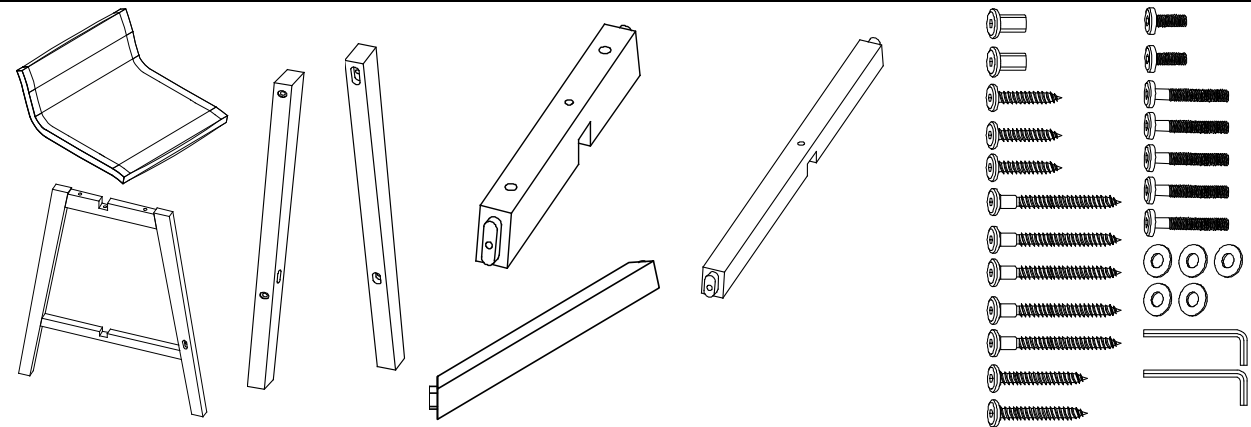
Label	Picture	Description	Qty
A		Seat Panel	1
B		First Leg	1
C		Second Leg	1
D		Third Leg	1
E		First Cross Bar	1
F		Second Cross Bar	1
G		Third Cross Bar	1

Hardware

No.	Picture	Description	Qty
①		Lock Nut (M6x15mm)	2
②		Screw (M7x40mm)	3
③		Screw (M7x70mm)	5
④		Screw (M6x50mm)	2
⑤		Bolt (M6x20mm)	2
⑥		Bolt (M6x75mm)	5
⑦		Flat Washers (M6x16x1)	5
⑧		Allen Key (K4)	2

Assembly Preparation

Before Beginning Assembly:



Read instructions, cover to cover.



Have 2 adults on hand for assembly.



Do not assemble on flooring or carpet.



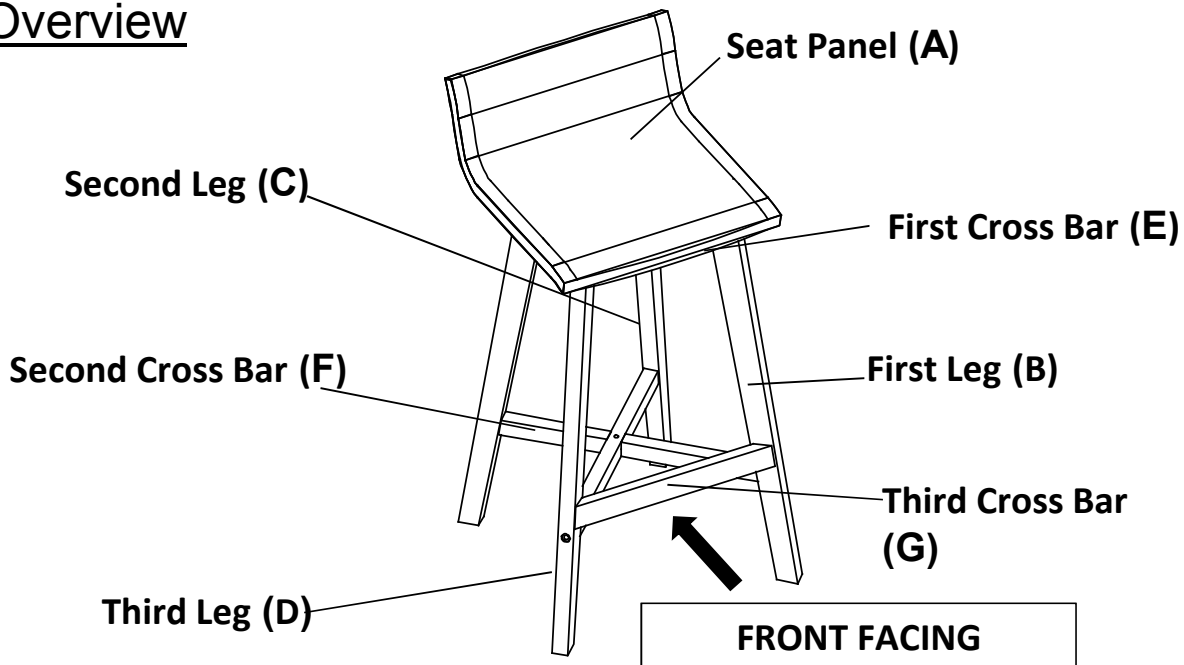
Assemble on a clean non-marring surface (packing foam).



Save all packaging until finished.

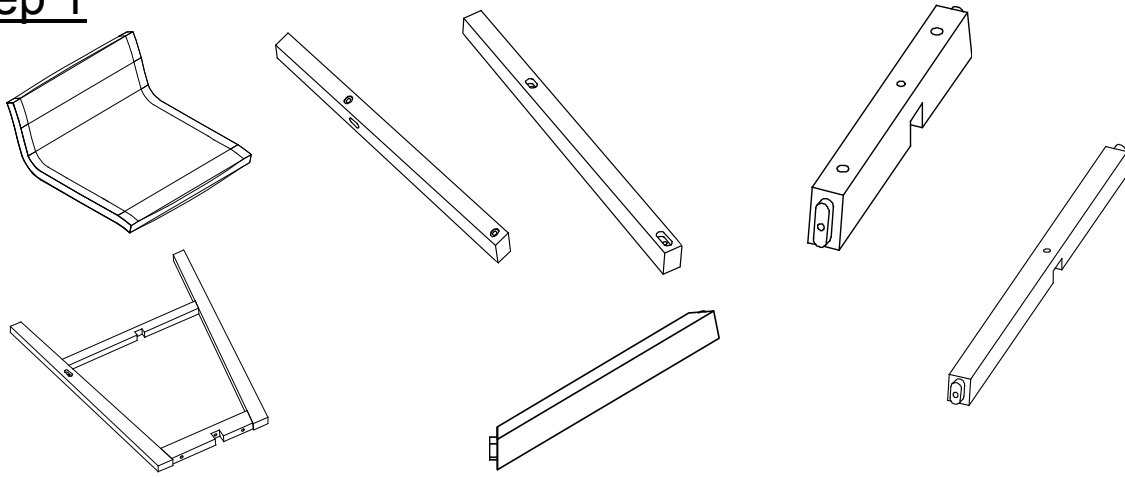
Assembly Steps

Overview



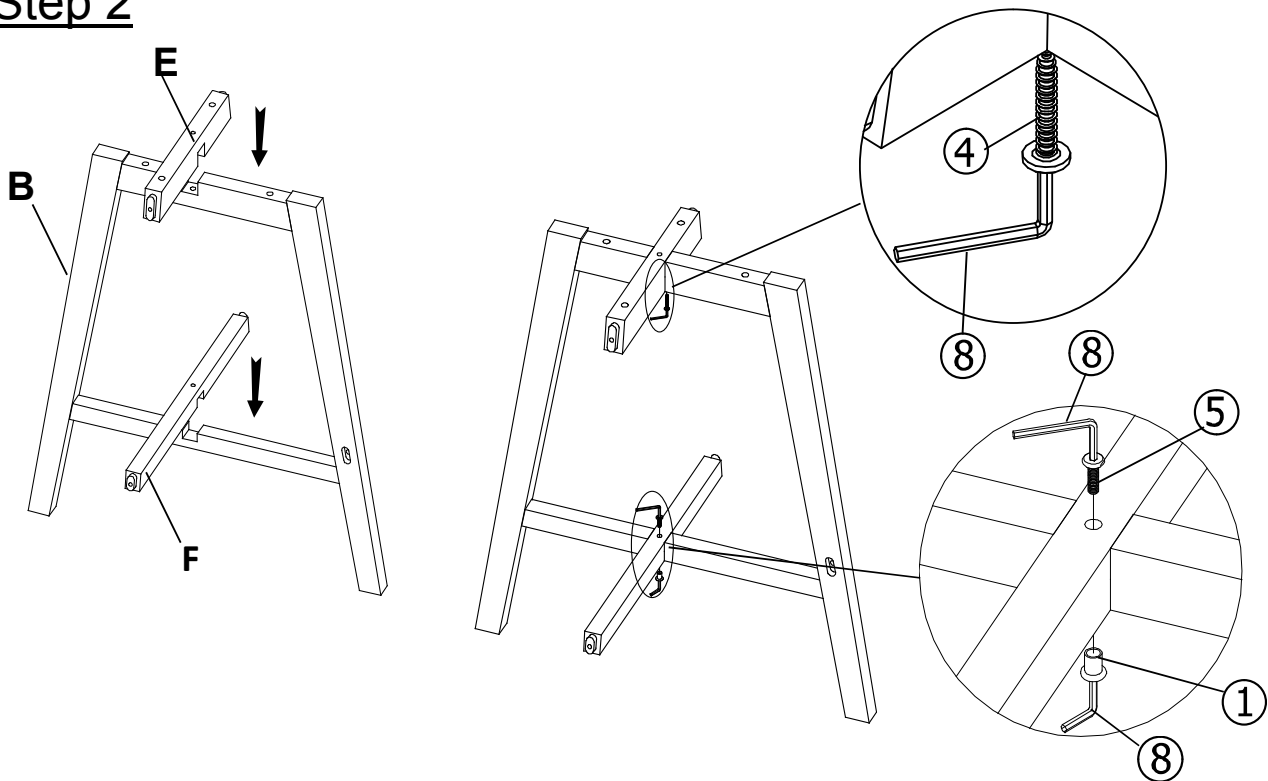
This Chair has multiple parts and may require up to 30 minutes to assemble. To give you an overview of the Chair parts, the above picture is to help you put the various parts into perspective. Please read through the instructions below to familiarise yourself with the parts and steps before assembly.

Step 1



Unpack and place all parts on a clean, non-marring surface.

Step 2



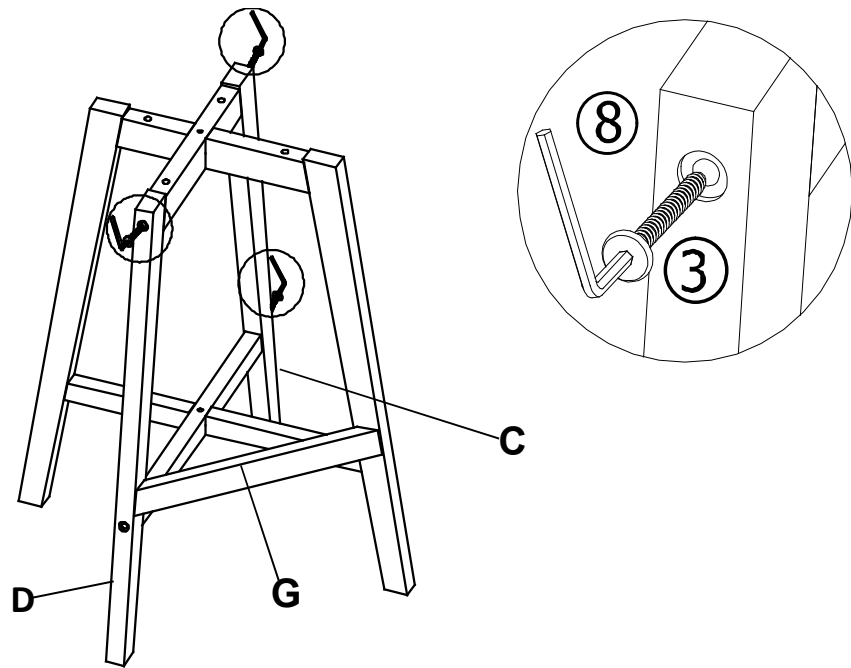
Place First Leg (B), First Cross Bar (E) and Second Cross Bar (F) on a clean, non-marring surface.

Insert tenons on First Cross Bar (E) and Second Cross Bar (F) into the mortises of First Leg (B) as shown above.

Attach First Cross Bar (E) and Second Cross Bar (F) to First Leg (B) using Lock Nut (①), Bolt(⑤) and Screw(④) with Allen Key(⑧) as shown in picture above.

Do not fully tighten the Bolts and Screws.

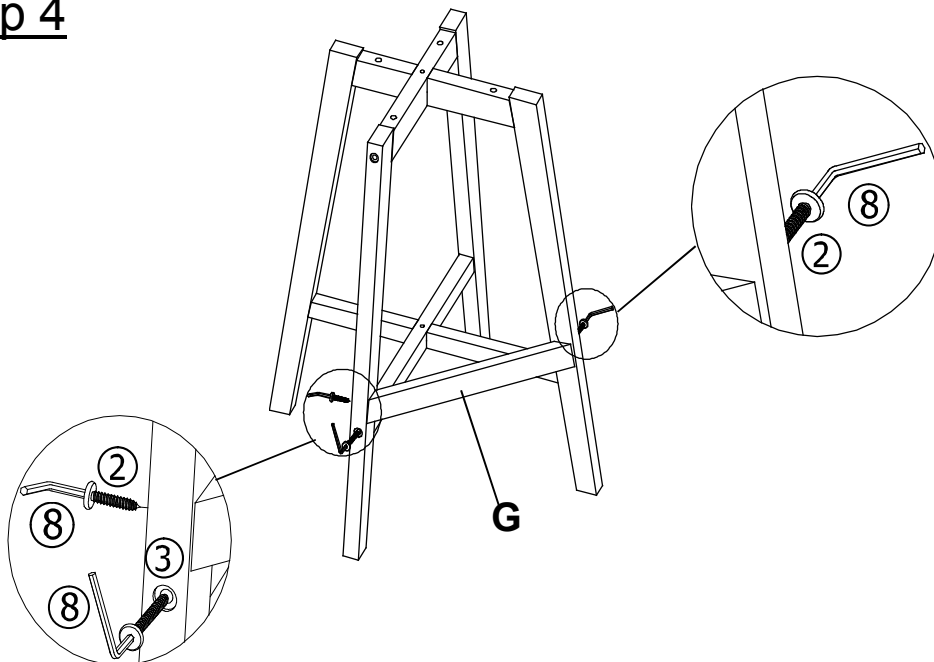
Step 3



Attach Second Leg (C), Third Leg (D), Third Cross Bar (G) to the assemble on step 2 using Bolt (③) and Allen Key(⑧) as shown above.

Do not fully tighten the Bolts

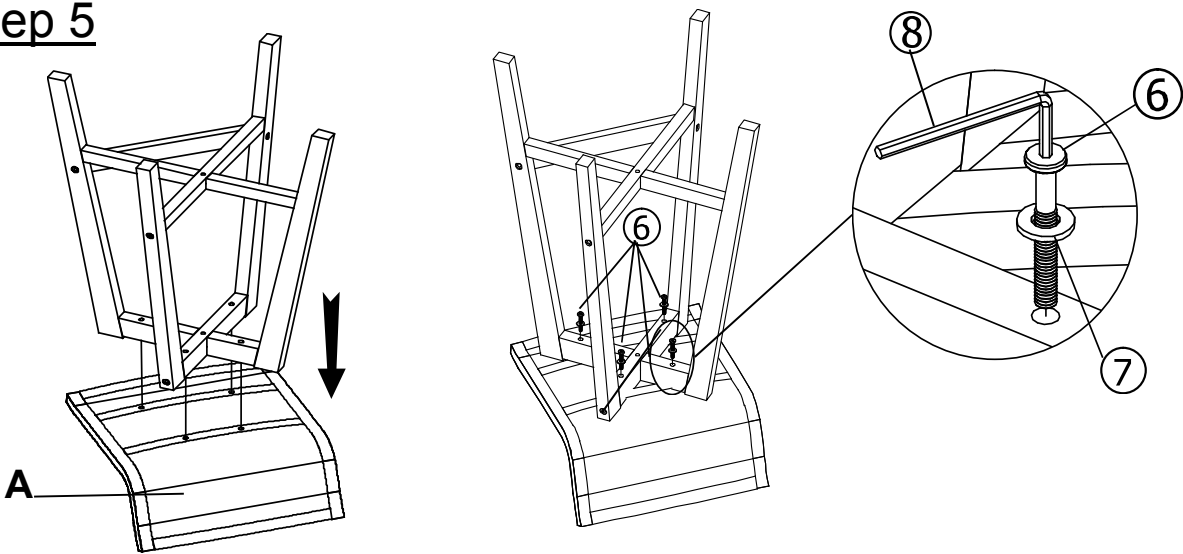
Step 4



Secure Third Cross Bar (G) to the assemble on step 3 by using Screw ((②), (③)) with Allen Key(⑧) as shown in picture above.

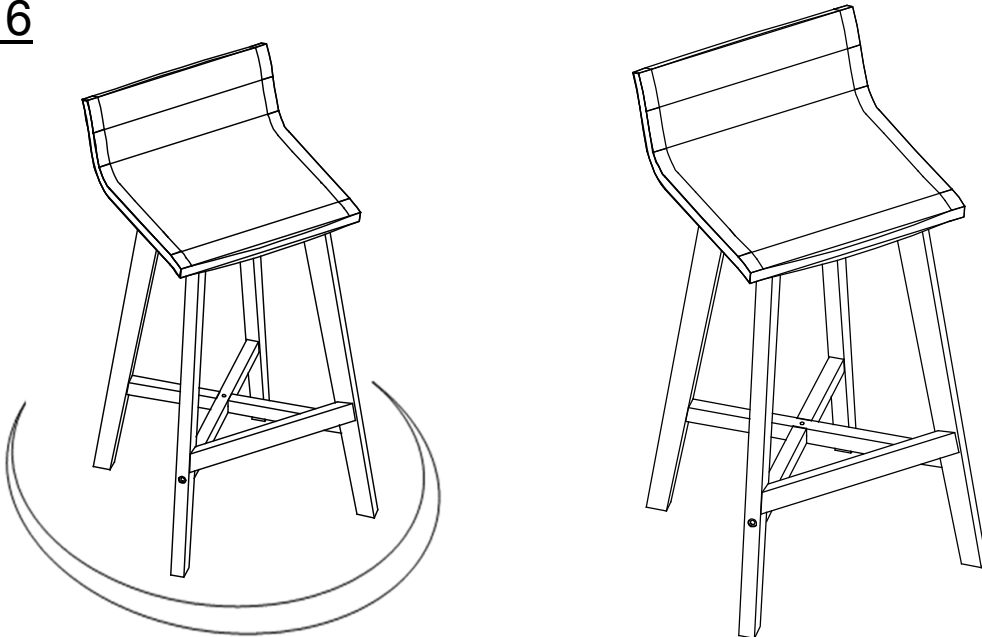
Do not fully tighten the Screws.

Step 5























Place the Seat Panel (A) onto the surface as shown above
Insert assembled frame on step 3 into Seat Panel(A) using Bolts(⑥) and Washers (⑦) with Allen Key(⑧) as pictured above.
Do not fully tighten the Bolts.

Step 6



Place the Chair on a LEVEL SURFACE.
Inspect it and make sure all parts are adequately connected.
Gently and gracefully, sit into to the Chair.
This will help to align all the parts at all joint areas.
Then get off the **Chair** and proceed to tighten the Bolts in a sequential manner.
When tightening the Bolts tighten sequentially.
DO NOT tighten any Bolt fully and then move on towards the next one.
If there are still wobbles, loosen the Bolts and execute this same process.
Your Chair is ready for use.
This Chair can only be used on a flat, level surface.

Care & Maintenance

-   ● Do not put hot items directly on furniture surface
 -   ● Do not clean furniture with harsh cleansers or polish.
 -   ● To obtain the longest lifespan of your outdoor products, minimizing exposure to direct sunlight is recommended.
 -   ● Children should not climb or jump on the furniture.
 -   ● Do not write on furniture without a padded barrier to protect the surface.
 -   ● To obtain the longest lifespan of your outdoor products, avoid extended and lengthy exposure to rain, snow, and direct sunshine. Whenever possible cover the product and /or place under patio or awnings.
 -   ● Not for commercial use. For residential use only .
 -   ● Stains may be removed with mild soap solution and damp cloth.
 -   ● Keep away from sources of ignition.
-
-   ● Dust and pick-up spills using a clean, non-colored, lint-free cloth.