

HX-102411

INSTALLATION AND OPERATING INSTRUCTIONS

WARNING: CHOKING HAZARD

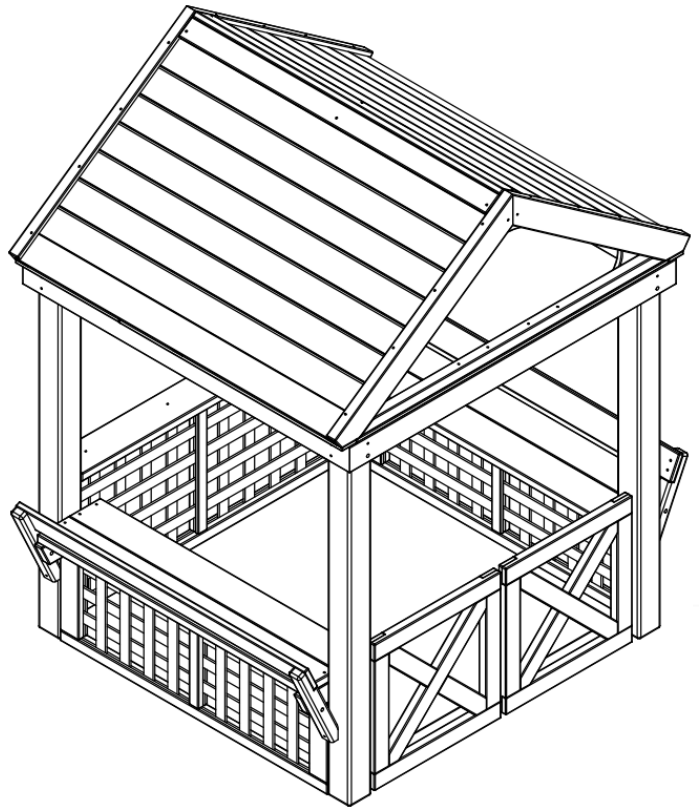
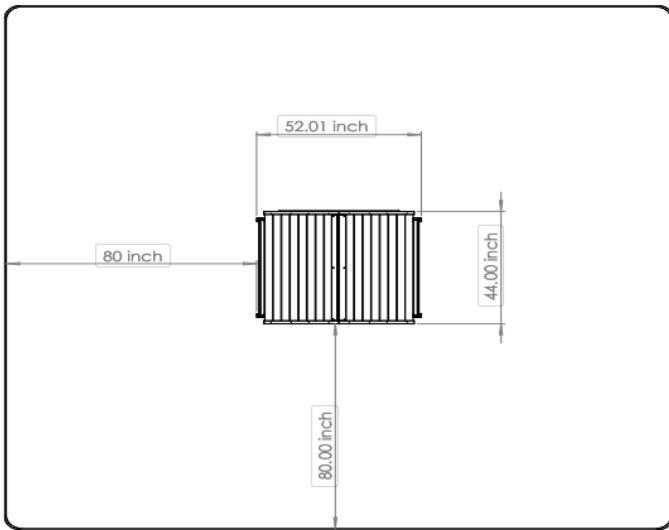
Unassembled parts may be a choking hazard to children 2 years and younger. The plastic bags that contain the hardware may present a choking hazard to small children. Please keep these bags and all plastic bags out of the reach of children. Do not allow children to play with them and dispose of them immediately when empty.

CAUTION: ADULT ASSEMBLY REQUIRED

Hardware contains small pieces with sharp points. Keep parts out of the reach of children until assembled. Parts of this product can present dangers if improperly assembled.



3-4 Hrs



For Outdoor Family Domestic Use Only

FUZHOU XINYANG ENGINEERING DESIGN Co.,LTD
No.101, North street, Zhenghe county, Nanping city,353600,
Fujian province, PRC
0086-0591-87921529
sales8@zhruichang.com

Table of Contents

Installation and Operating Instructions	1
Table of Contents	1
Warnings and Safe Play Instructions	2
Instructions for Proper Maintenance	3
Keys to Assembly Success	4

WARNING

To reduce the risk of serious injury or death, please read and follow these instructions. Keep and refer to instructions as needed and pass along to any future owners of this item.

Installation and Operating Instructions

GENERAL WARNING

To reduce the risk of serious injury you should before you begin, read this document and assembly instructions carefully, make sure that no parts are damaged or missing.

Remove all parts from the packaging and spread them out on a clean work surface. Assemble all parts according to the instructions in this manual and do not skip any step. Treat all parts with a high level of care before and during assembly. At least two people are required to assemble the Playhouse.

Care must be taken when handling the various pieces to avoid a mishap. For safety's sake, please read the information provided in this manual before beginning. Wear gloves when handling parts. Always wear work gloves, safety glasses, and any other kind of clothing with long sleeves when assembling the Playhouse or performing any kind of maintenance work. Always wear safety goggles and always follow the manufacturer's instructions when using power tools.

Capacity: Maximum 5 Users aged between 2 and 10 years of age. Never leave children unsupervised in the Playhouse.

Use: This Playhouse is not suitable for accommodation purposes and not intended for commercial and public use. Residential Home and Domestic outdoor use Only.

Table of Contents

Installation and Operating Instructions	1
Table of Contents	1
Warnings and Safe Play Instructions	2
Instructions for Proper Maintenance	3
Keys to Assembly Success	4


Warnings and Safe Play Instructions


Important

Read, Follow and Enforce All Product, Package Warnings, and Instructions. Use only under competent supervision, never leave children unattended while the Playhouse is in use. To avoid danger of suffocation, keep the anchor bags and all packaging away from babies and children.

Only use in open areas that is level and clear of sharp objects, stones and branches that could injure the user when playing or damage the Playhouse. Inspect the Playhouse after assembly and at the beginning of each use for wear and tear and other damages. Never allow the use of a damaged Playhouse. Do not modify this Playhouse and/or use accessories not supplied by the manufacturer. Go over the warnings and safe play instructions regularly with your children and make sure that they understand and follow them.

FAILURE TO FOLLOW ALL INSTRUCTIONS, WARNINGS AND SAFETY RULES MAY RESULT IN PRODUCT DAMAGE OR OTHER SERIOUS INJURY TO THE USER.

 Warning	
ASTM F963-23 Disclosure	
<p>STRANGULATION HAZARD Never allow children to play with ropes, clotheslines, pet leashes, cables, chains or cord-like items when using this playhouse or to attach these items to playhouse. Never allow children to wear loose fitting clothing, ponchos, hoods, scarves, capes, necklaces, items with draw-strings, cords or ties when using this playhouse. Never allow children to wear bike or sport helmets when using this playhouse. Failure to prohibit these items, even helmets with chin straps, increases the risk of serious injury and death to children from entanglement and strangulation.</p> <p>TIP OVER HAZARD Choose a level location for the equipment. This can reduce the likelihood of the playhouse tipping over and loose-fill surfacing materials washing away during heavy rains. Do Not allow children to play on the playhouse until the assembly is complete.</p>	<p>COLLISION HAZARD Place Playhouse on level ground at least 2m from any obstruction such as a garage or house, fences, poles, trees, sidewalks, walls, landscape timbers, rocks, pavement, planters, garden borders, overhanging branches, laundry lines, and electrical wires.</p> <p>CHOKING HAZARD/SHARP EDGES & POINTS Adult assembly required. This product contains small parts and parts with sharp edges and points. Keep parts away from children until fully assembled.</p> <p>SERIOUS HEAD INJURY HAZARD Installation over concrete, asphalt, dirt, grass, carpet and other hard surface creates a risk of serious injury or death from falls to the ground. Install and maintain shock absorbing material under and around playhouse.</p>

 Warning – Safe Play Instructions	
ASTM F963-23 Disclosure	
<ul style="list-style-type: none"> ✓ Observe capacity limitations of your playhouse. See above. ✓ Dress children with well-fitting and full foot enclosing footwear. ✓ Check for splintered, broken or cracked wood; missing, loose, or sharp edged hardware. Replace, tighten and or sand smooth as required prior to playing. 	<ul style="list-style-type: none"> ✗ Do not allow children to wear open toe or heel footwear like sandals, flip-flops or clogs. ✗ Do not permit climbing on playhouse when it is wet. ✗ Do not permit rough play or use of equipment in a manner for which it was not intended. Standing on or jumping from the roof can be dangerous.

Instructions for Proper Maintenance

Keeping your playhouse in good condition is essential to reduce injuries. Save this document and assembly instructions so you can order parts that break or wear out. Inspect your playhouse at regular intervals to make sure that assembly integrity has been maintained. The following maintenance schedule is recommended:

Hardware

Inspect all nuts and bolts and tighten if required. Hardware should be firmly against, but not crushing the wood. Over-tightening hardware crushes wood fibers and can split wooden components resulting in the bolt thread extending beyond the wood. This poses a severe safety hazard. If bolt threads protrude beyond the wood surface, replace the bolt with a shorter one that will not protrude. If splintering has occurred from over-tightening, larger washers can be purchased at your local hardware store and installed under the bolt head. Be sure to reuse or replace your lock washers.

Major Wooden Parts

Inspect for structural defects and splintering. If necessary, lightly sand and refinish with an exterior water repellent stain. Seasonal checking or cracking of the grain on wooden parts is quite natural, water and heat are the most frequent causes of expansion and contraction of wood fibers. Our wood set has been treated with stain to resist weathering. But it needs to be maintained periodically by applying new stain or paint. Inspect for structural defects and splintering. If necessary, lightly sand and refinish with a clear water repellent, exterior sealant or boiled linseed oil. Do NOT paint, varnish or finish rungs with any substance that may reduce your child's ability to firmly grasp or step on the rungs.

Play Area

Inspect to assure that the playhouse has settled properly, and the location of the set is still level.

Nuts and Bolts

Check nuts and bolts twice a month and tighten as needed.

Protective Caps and Plugs

Check to make sure protective caps and plugs that cover bolt ends and ends of tubing are in place and tight. Inspect twice a month and replace as needed.

General Condition

Check the condition of the playhouse, looking for signs of wear and tear such as broken or missing components, bent pipes or tubing, and splintering wooden surfaces. Repair as necessary.

Rusted Areas

Clean, sand, and repaint rusted areas with a non-lead-based paint, as needed.

Disassembly and Disposal

Please disassemble and dispose of your playhouse in a manner that does not create any avoidable hazards and follow your local waste disposal ordinances and requirements.



Caution

- Do not stand, sit or store items on playhouse roof.
- Funphix is not responsible for damage caused by weather or misuse.
- Repair or replace broken parts immediately.



Warning

For outdoor use only. To be played in an open area with adult supervision. For family domestic use only. As an extra precaution, check this product regularly for signs of wear or damage. Packaging materials are not toys. Please remove all packaging and packing tags/wires before allowing children to use.

Maintenance to be carried out under the direct supervision of a responsible adult. Colour, designs and decorations may vary from those shown in the photographs.

Keys to Assembly Success

Required Tools

- Carpenters Level
- Carpenters Square
- Claw Hammer
- Pencil
- Power Drill
- Ratchet with extension and 7/16" sockets
- Safety Glasses and Gloves
- Tape Measure

Part Identification instructions

The Parts required for each step can be found in the bottom right part of every page

Part Numbers

Part Numbers are referenced on the first page of the step-by-step instructions below. To avoid damage to the playhouse or injury from incorrect assembly, please ensure you have properly identified and prepared each part required for the relevant step before assembly.

Basic Safety - Powered Hand Tools - Electric Tools

When and how should you inspect powered hand tools?	What should you do while using powered hand tools?	What should you avoid when using powered tools?
<p>Inspect tools for any damage prior to each use. Check the handle and body casing of the tool for cracks or other damage. If the tool has auxiliary or double handles, check to see that they installed securely. Check for damaged switches and ones with faulty trigger locks. Inspect the plug for cracks and for missing, lose or faulty prongs.</p> <p>What should you do before using powered hand tools?</p> <p>Ensure that you have been properly trained to use the tool safely. Ensure that the power tool has the correct guard, shield or other attachment that the manufacturer recommends. Ensure that the tools are properly grounded.</p>	<p>Wear or use personal protective equipment (PPE) or clothing that is appropriate for the work you are doing; this may include items such as safety glasses or goggles, or a face shield (with safety glasses or goggles), hearing protection, dust mask, gloves, safety boots or shoes, or rubber boots. Switch off the tools before connecting them to a power supply. If a power cord feels more than comfortably warm or if a tool is sparking, please let us know. Remove any wrenches and adjusting tools before turning on a tool. During use, keep power cords clear of tools and the path that the tool will take. Use clamps, a vice or other devices to hold and support the piece being worked on, when practical to do so. Follow good housekeeping procedures – keep the work area free of clutter and debris that could be tripping or slipping hazards.</p>	<p>Do not wear gloves, loose clothing or jewellery while using revolving power tools. Tie back long hair or wear appropriate hair protection to prevent hair from getting caught in moving parts of equipment. Do not use a tool unless you have been trained to use it safely and know its limitations and hazards. Avoid accidental starting by ensuring the tool is turned off before you plug it in. Also do not walk around with a plugged-in tool with your finger touching the switch. Do not leave a running tool unattended. Do not leave it until it has been turned off, has stopped running completely, and has been unplugged. Stop using an electric power tool if you feel a tingle in your fingers. This is a warning that the tool is faulty and needs repair. Do not carry electrical tools by the power cord. Do not brush away sawdust, shavings or turnings while the tool is running. Do not surprise or touch anyone who is operating a tool. Startling a tool operator could end up causing an accident or injury.</p>

Protrusion Hazard

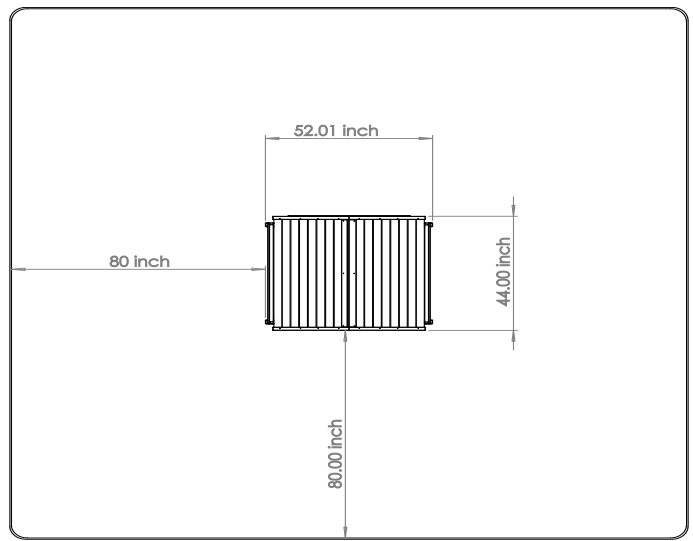
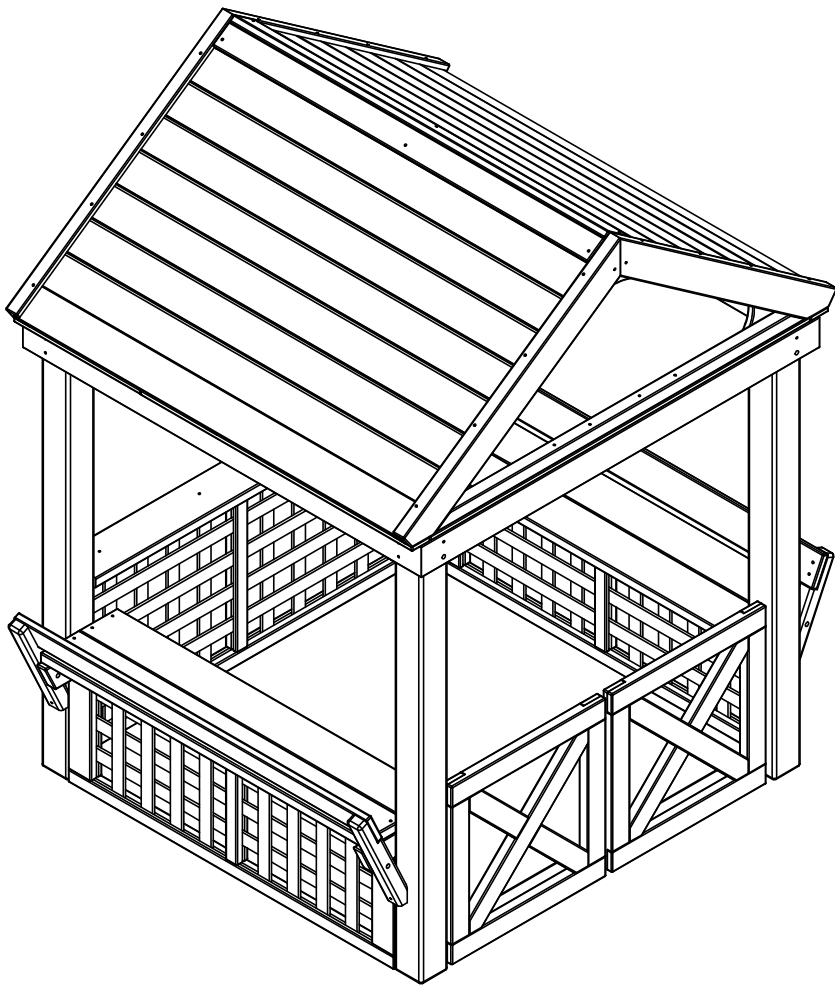
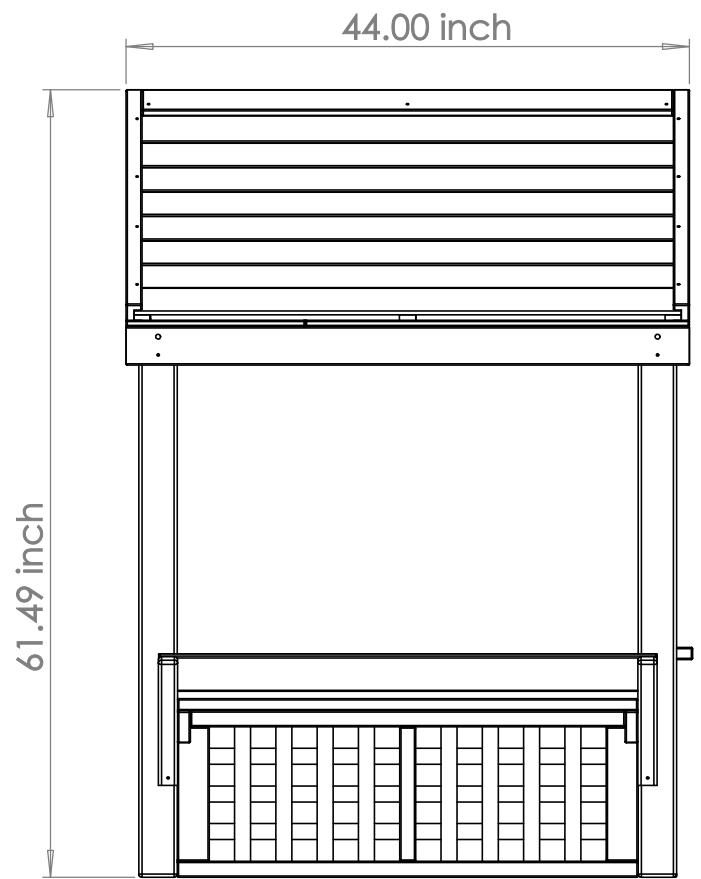
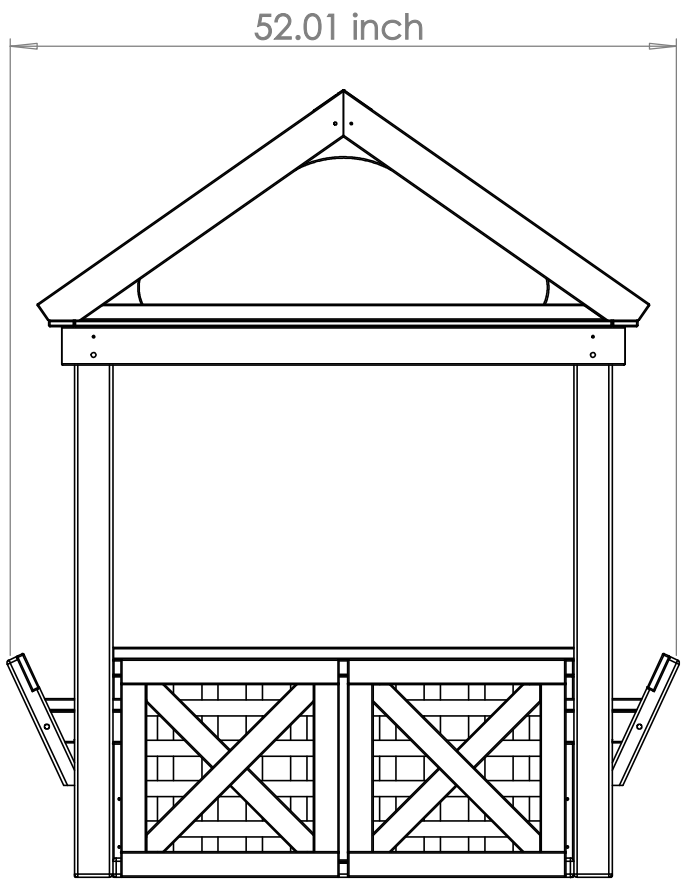
Protrusion hazard means a component or piece of hardware that could impale or cut a child if the child falls against it. After you have completed a assembly step, please inspect the part for exposed

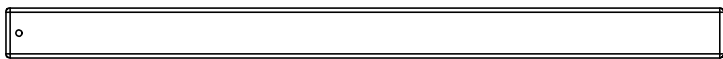
threads. If a thread protrudes from the T-Nut, undo the entire bolt, and add washers to eliminate the risk of a protrusion hazard.

Proper Hardware Assembly

As a general rule of thumb, your pilot hole should be slightly smaller than the diameter of your screw. This will remove as much material as possible, which will reduce the likelihood of splitting, but will still leave enough material for the screw's threads to grip into. Once the pilot hole is drilled, you can install the screw. Drive the screw in, being careful to angle it to follow the path of the hole. Repeat this process for each screw used. For large screw please first slip a flat washer over the screw.

For bolts, gently tap the relevant T-Nut into the hole using a hammer on the opposing site. Following the placement of the T-Nut, first slip a lock washer and a flat washer over the bolt. During the initial assembly you are not required to fully tighten the bolt to allow room for adjustment. Once your playhouse has been fully assembled, please ensure all bolts are fasten properly and that you have fully tightened all bolts used and no protrusion hazard has been created. Wafer head bolts with blue lock tight or a bolt with a Ny-Lok nut do **NOT** require a lock washer.

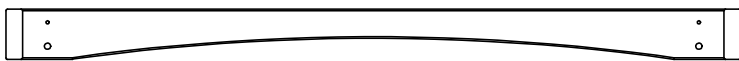




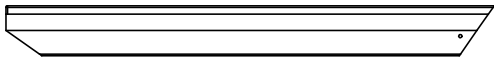
2406006 X4 3" x 3" x 43"



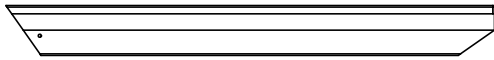
2406007 X3 1" x 3" x 44"



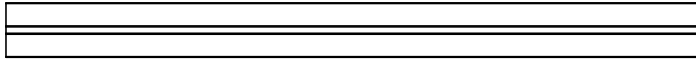
2406008 X1 1" x 3" x 44"



2406009 X2 1 1/4" x 3" x 29 1/4"



2406010 X2 1 1/4" x 3" x 29 1/4"



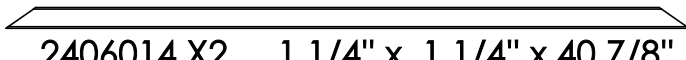
2406011 X1 1 3/8" x 3 1/4" x 41 7/16"



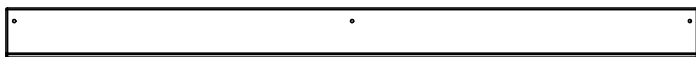
2406012 X2 5/8" x 3 3/8" x 14 1/2"



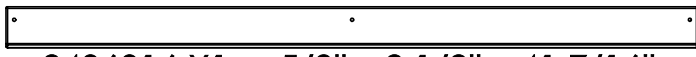
2406013 X4 5/8" x 3 1/2" x 5 1/2"



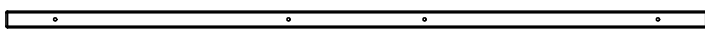
2406014 X2 1 1/4" x 1 1/4" x 40 7/8"



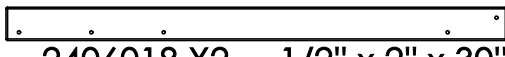
2406015 X1 5/8" x 3" x 41 7/16"



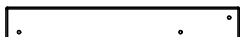
2406016 X1 5/8" x 2 1/2" x 41 7/16"



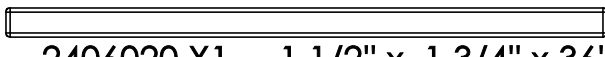
2406017 X2 1/2" x 1" x 42"



2406018 X2 1/2" x 2" x 30"



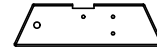
2406019 X2 1/2" x 2" x 14"



2406020 X1 1 1/2" x 1 3/4" x 36"



2406021 X6 1" x 1" x 10 1/2"



2406022 X4 1" x 2 1/2" x 9"



2406023 X4 1 1/2" x 1 1/2" x 11"



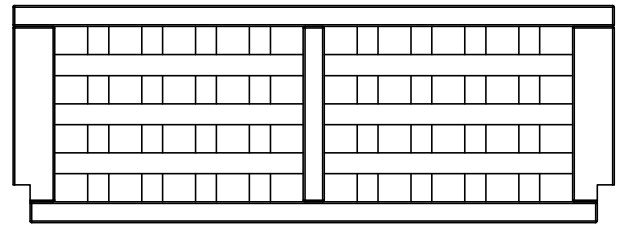
2406024 X2 5/8" x 3" x 38 15/16"



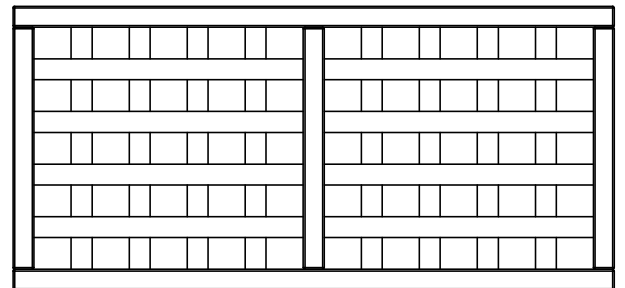
2406025 X4 15/16" x 4 1/4" x 35 15/16"



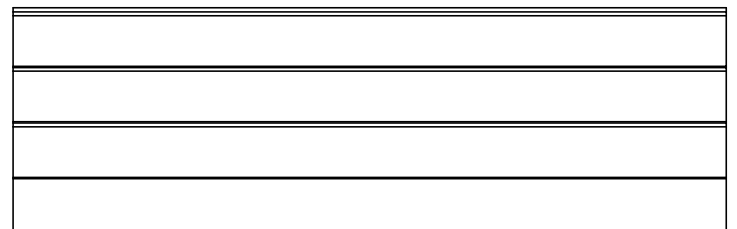
2406026 X1 15/16" x 4 1/4" x 38 1/4"



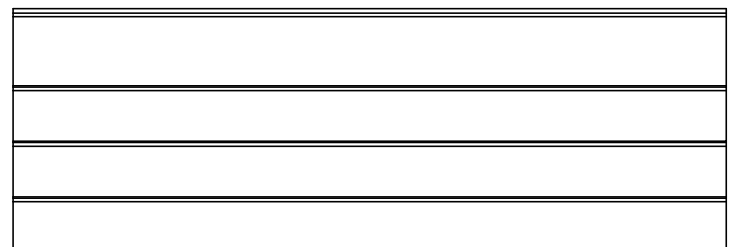
2406002 X2 1 1/4" x 13" x 36"



2406003 X1 1 1/4" x 17" x 36"

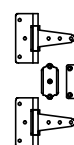


2406004 X2 7/8" x 13 21/64" x 42 23/32"



2406005 X2 7/8" x 14 1/2" x 42 23/32"

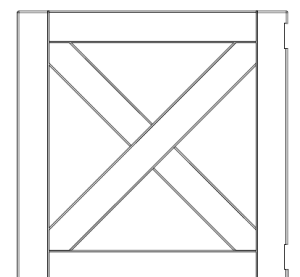
Hardware	Description	Qty
XFW2	Washer Flat 5/16	10
XLW2	Washer Lock Finish 5/16	10
XTN2	Tee Nut 5/16"	10
XFW1	Washer Flat 1/4	6
XLW1	Washer Lock 1/4	6
XTN1	Tee Nut 1/4"	6
XS0	Truss Head Screw #8 x 7/8	35
XS1	Wood Screw #8 x 1 1/8	6
XS3	Wood Screw #8 x 2 1/2	19
XS11	Wood Screw #8 x 2	65
XS20	Wood Screw #8 x 1 3/8	80
XH3	Hex Bolt 1/4 x 2 1/2	5
XG4	Hex Bolt 5/16 x 4	9



Door Hardware Bag X2

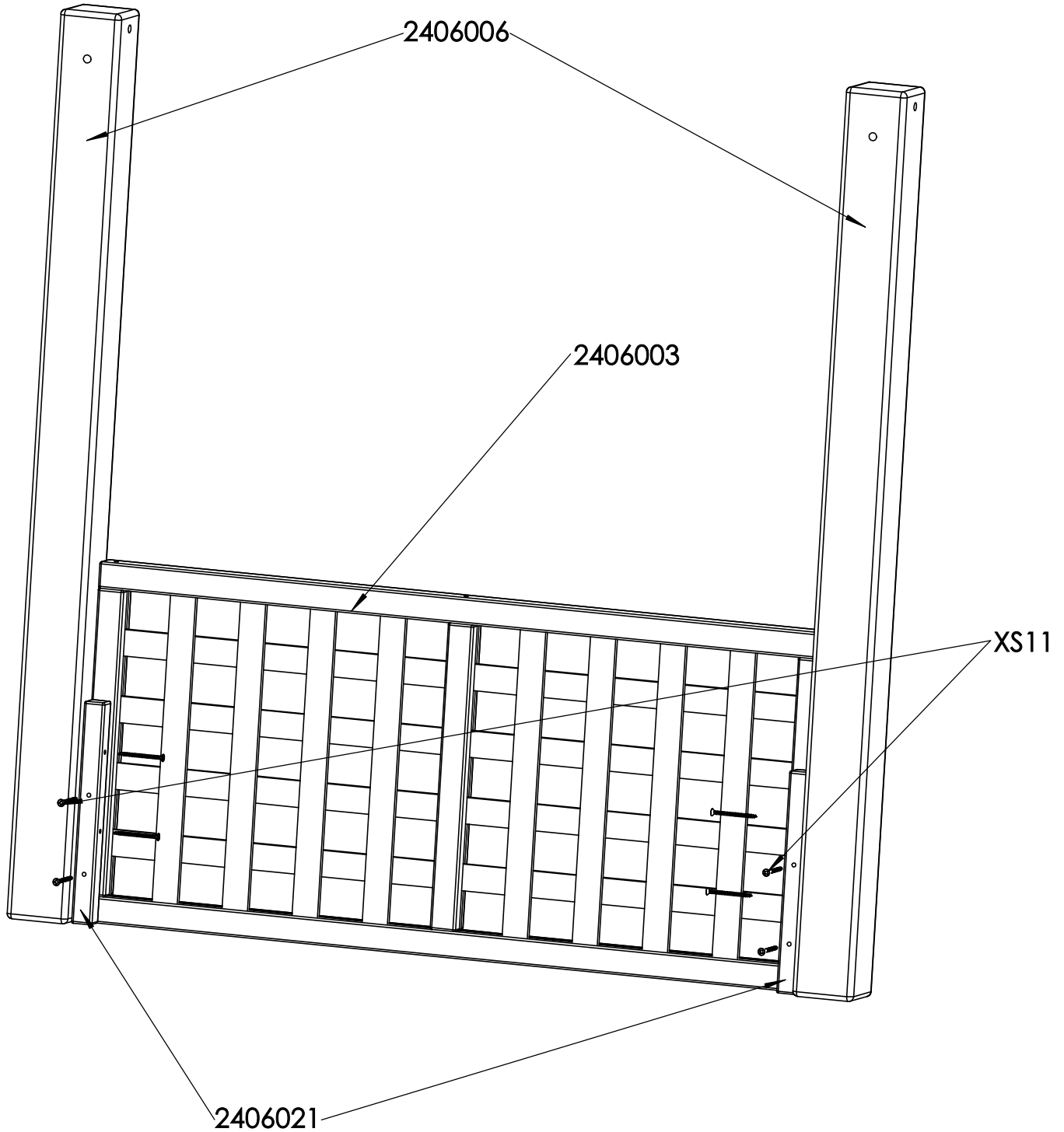


L-Bracket X2

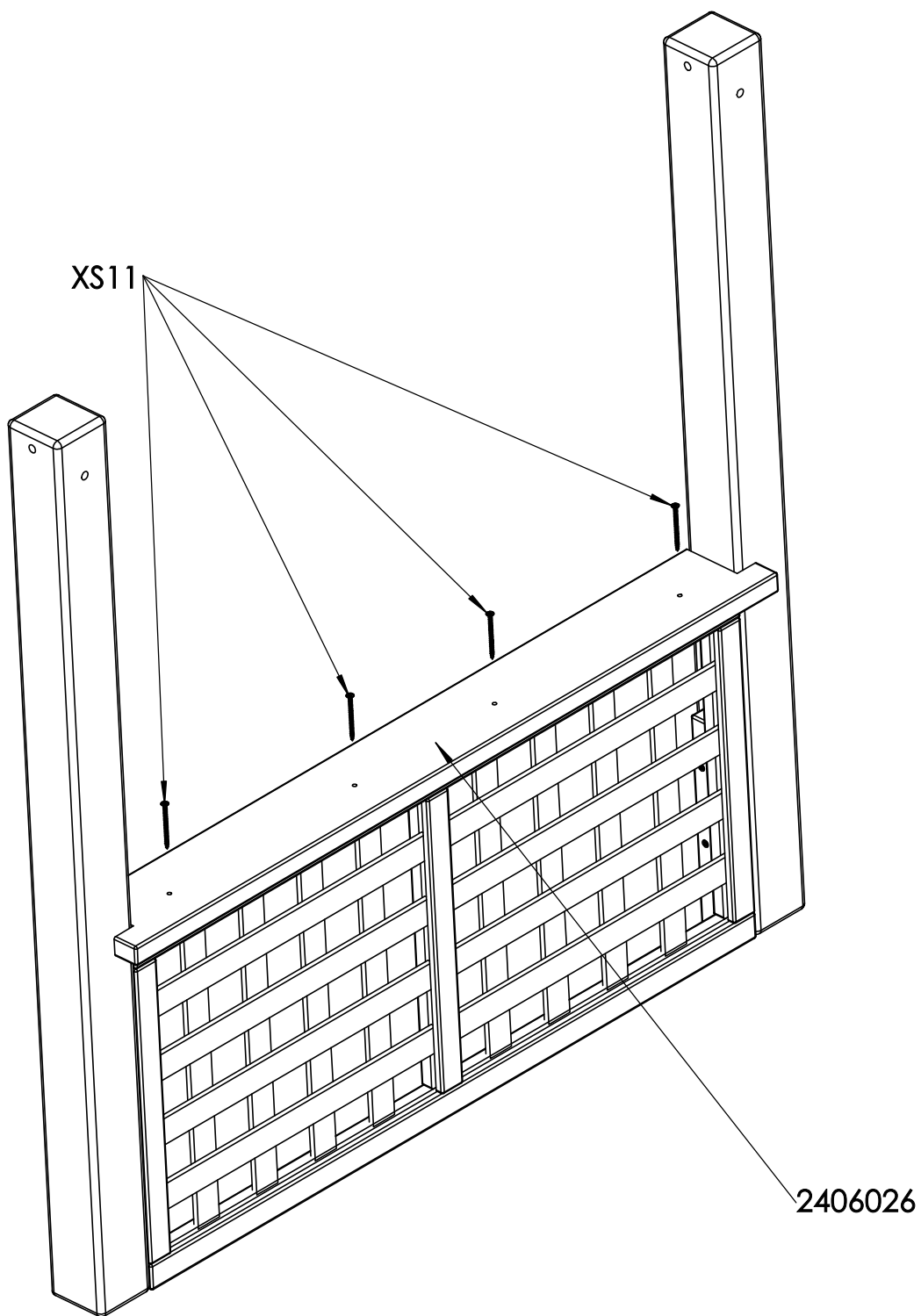


2406001 X2 1" x 17 3/64" x 17 3/64"

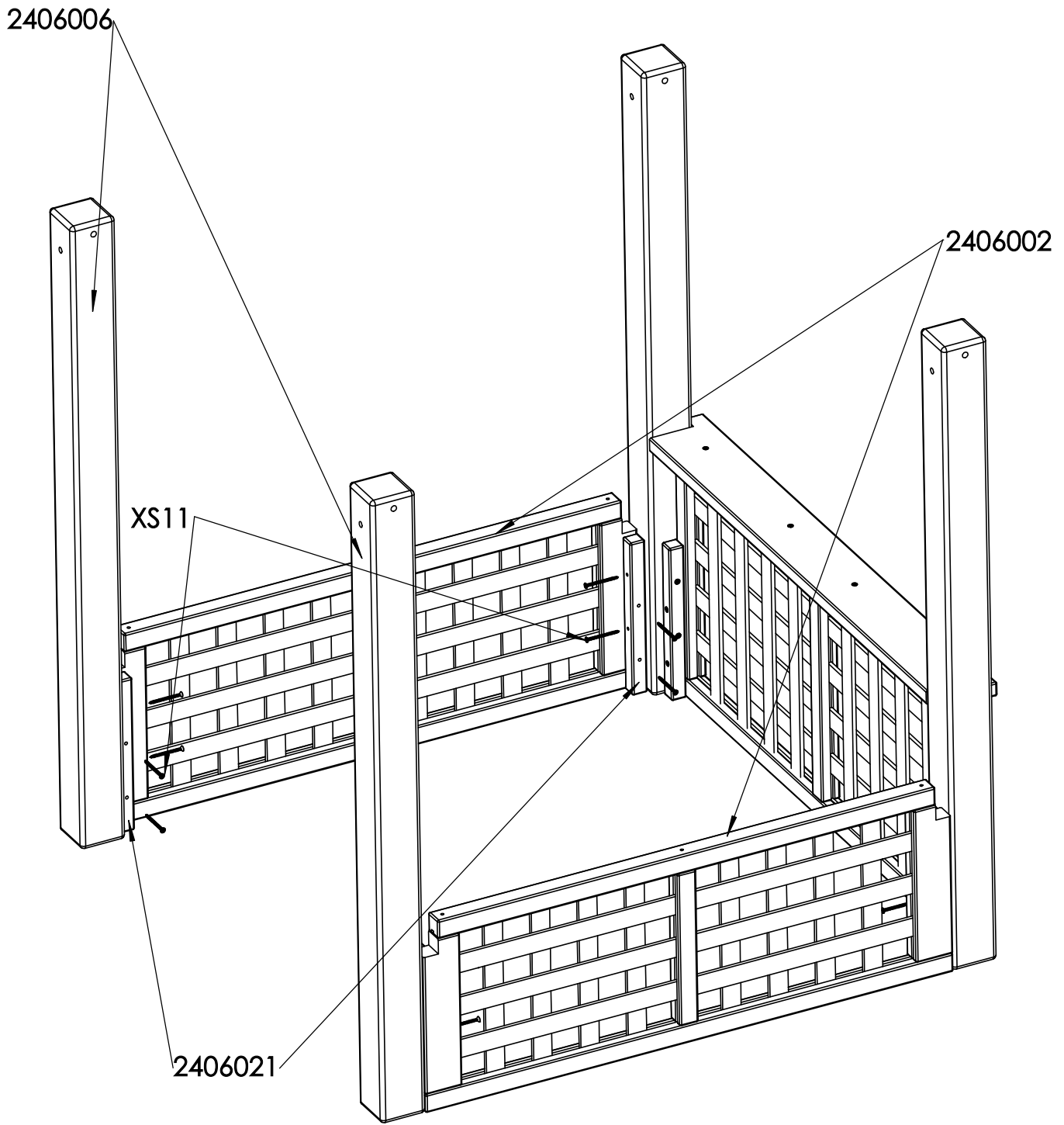
Note the position and direction of hole 2406006



Parts	Qty
2406003	1
2406006	2
2406021	2
XS11	8

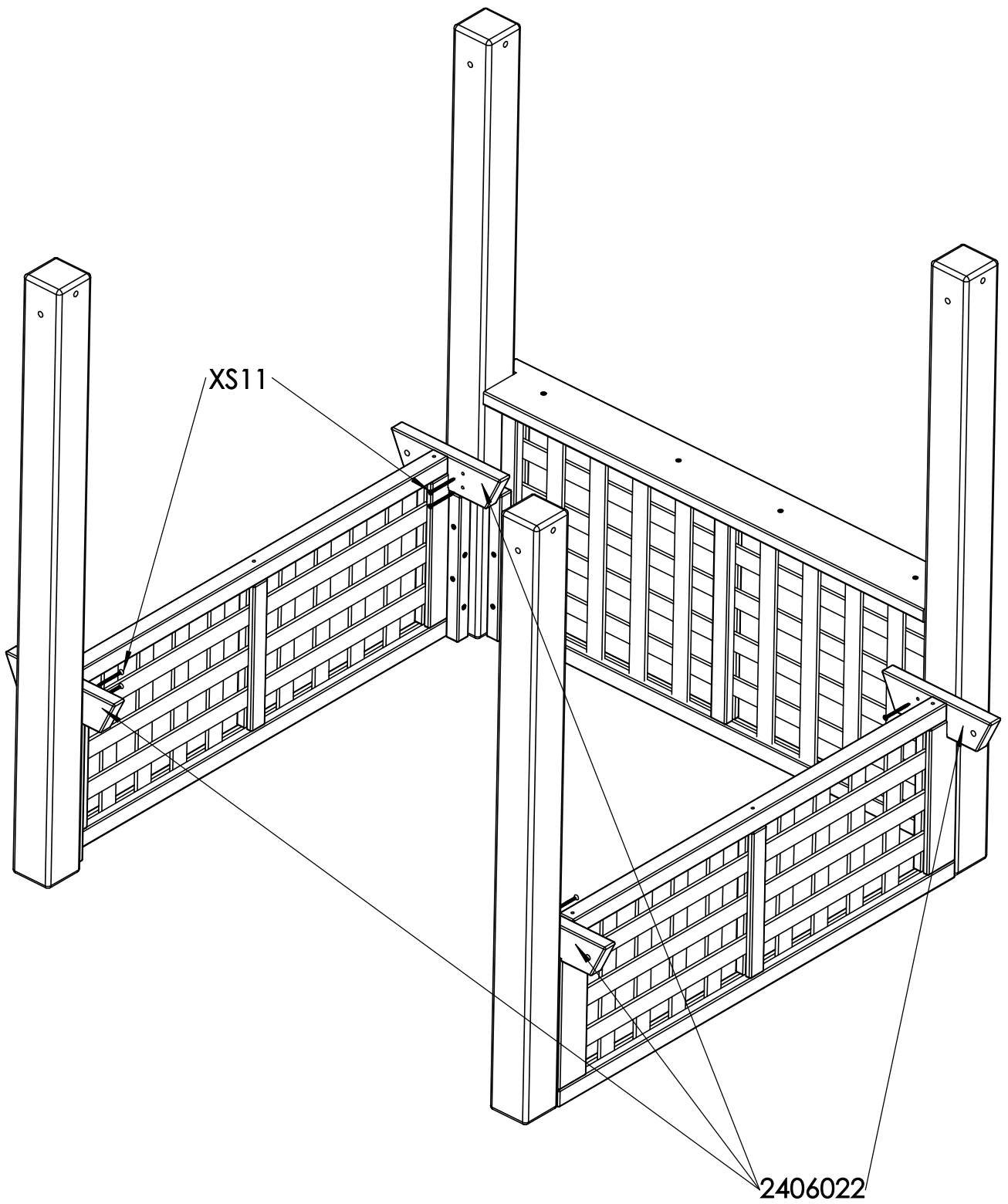


Parts	Qty
2406026	1
XS11	4

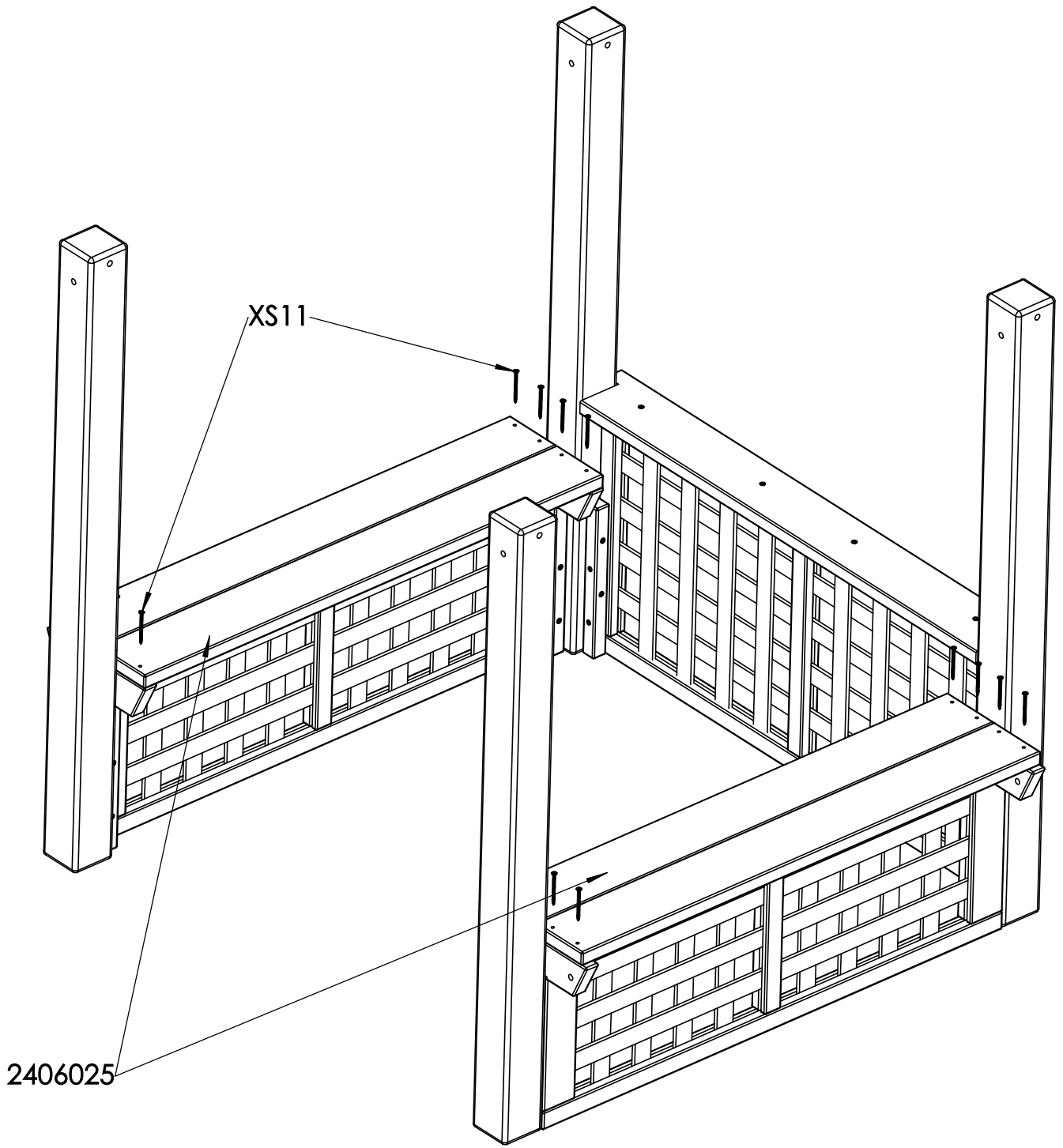


Note the position and direction of hole 2406006

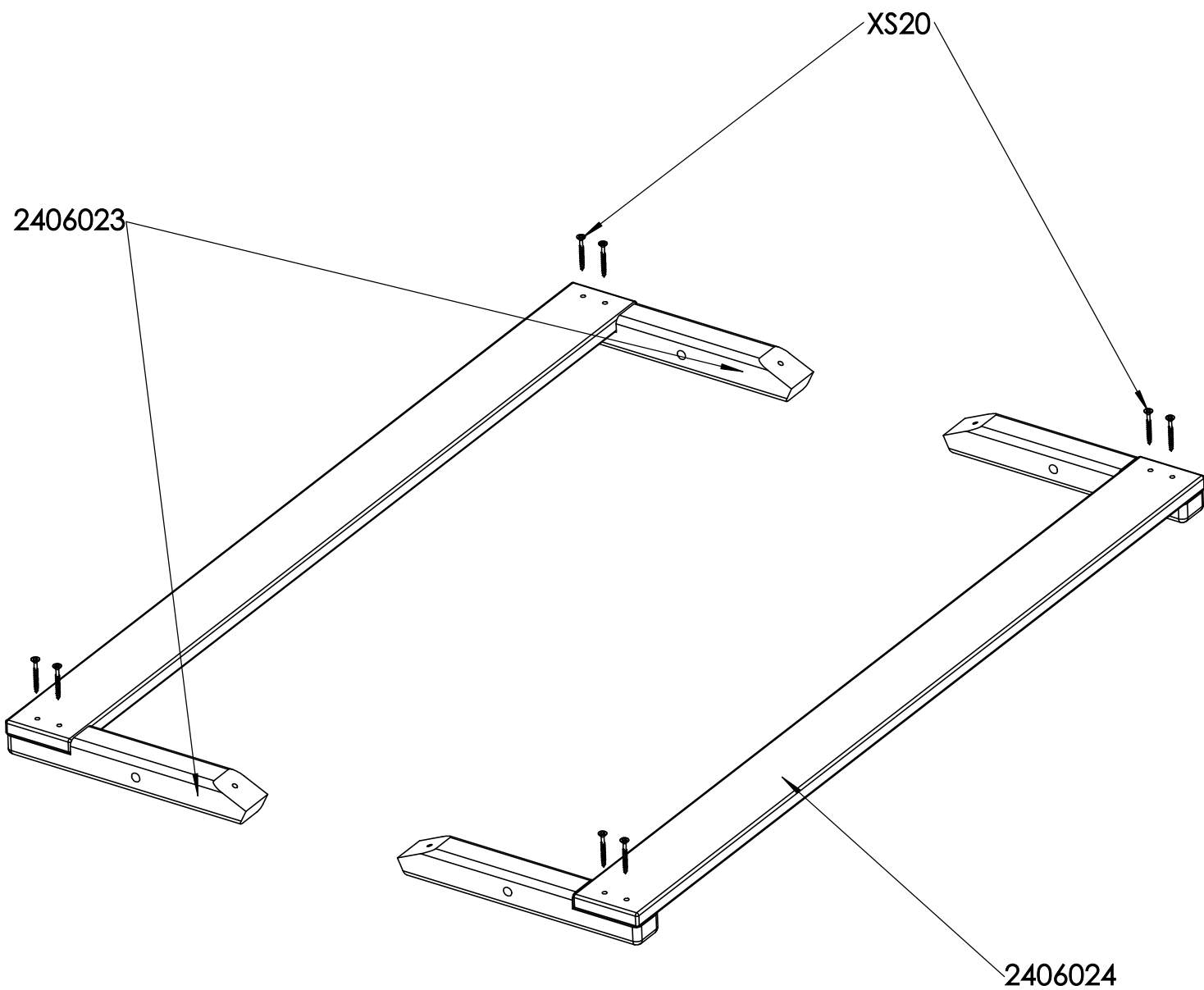
Parts	Qty
2406002	2
2406006	2
2406021	4
XS11	16



Parts	Qty
2406022	4
XS11	8

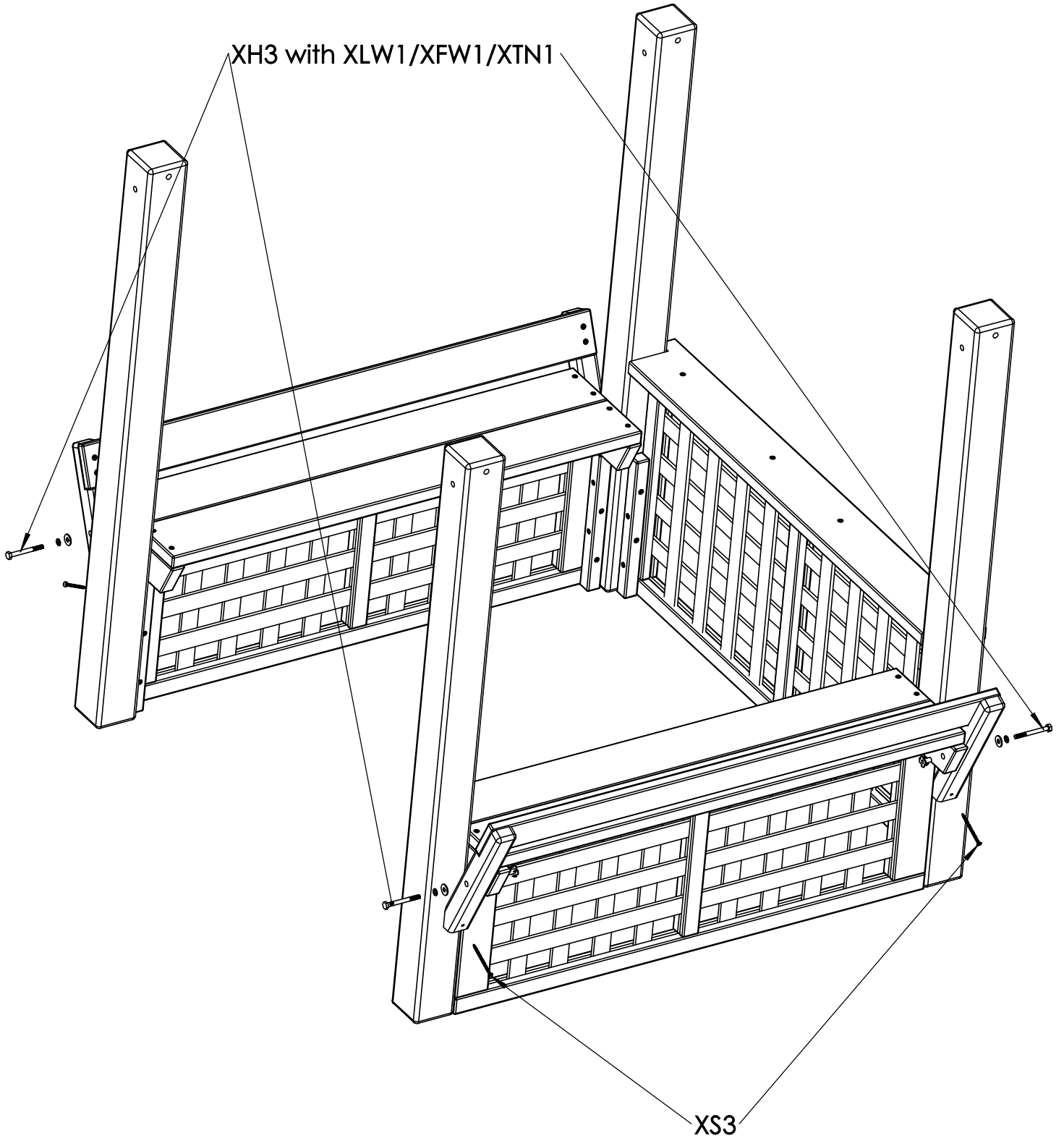


Parts	Qty
2406025	4
XS11	16

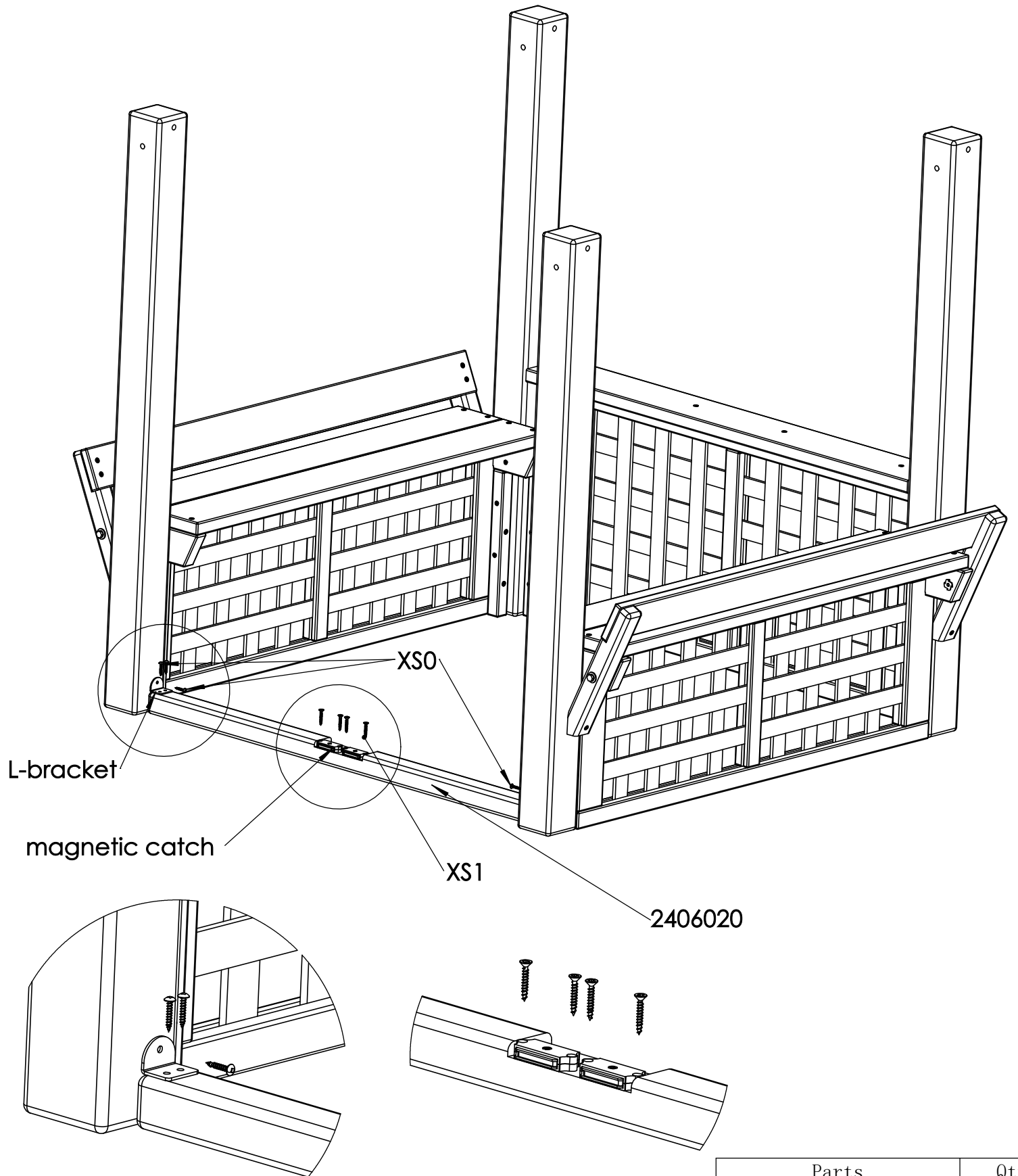


2406024

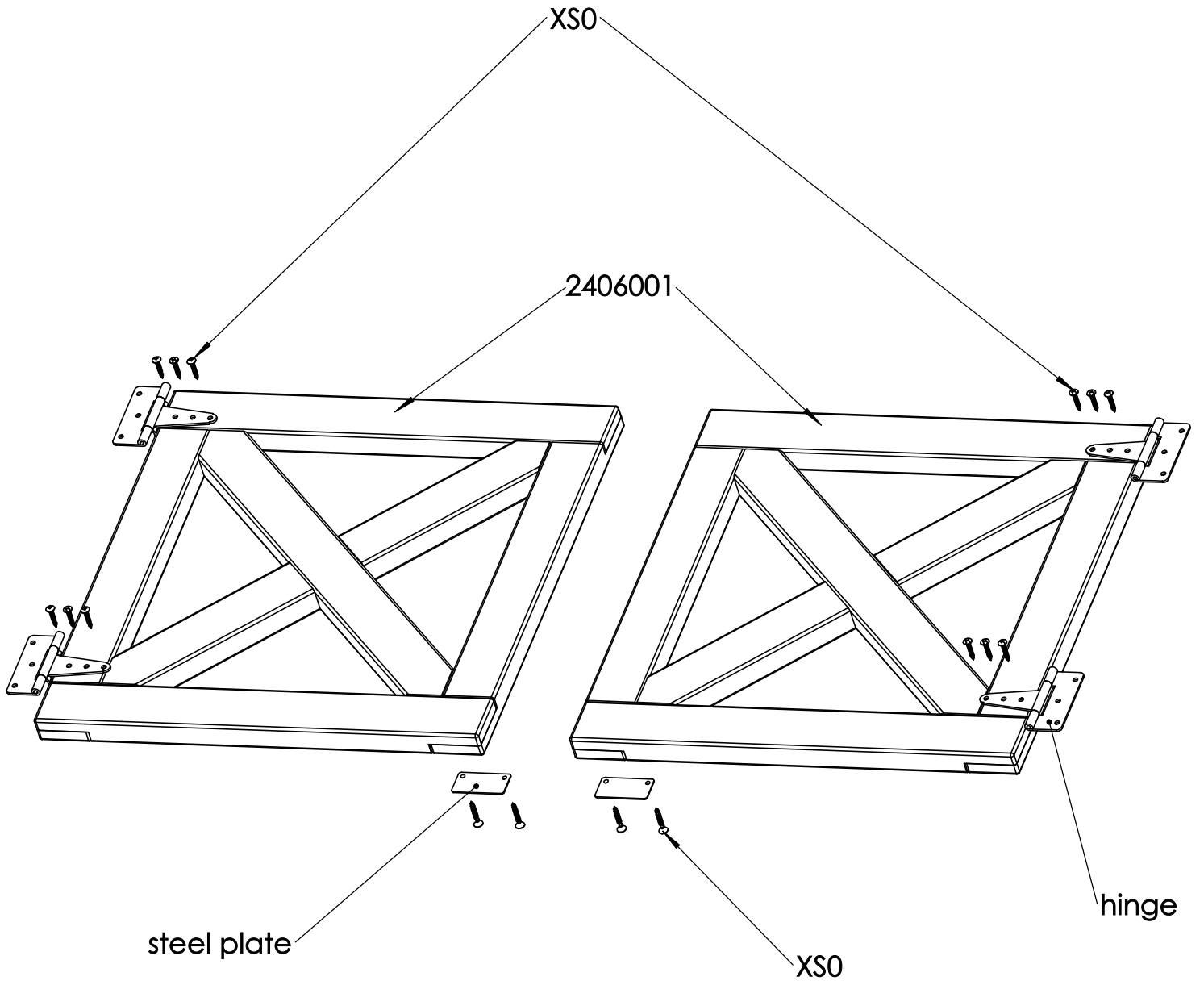
Parts	Qty
2406023	4
2406024	2
XS20	8



Parts	Qty
XH3	4
XLW1	4
XFW1	4
XTN1	4
XS3	4

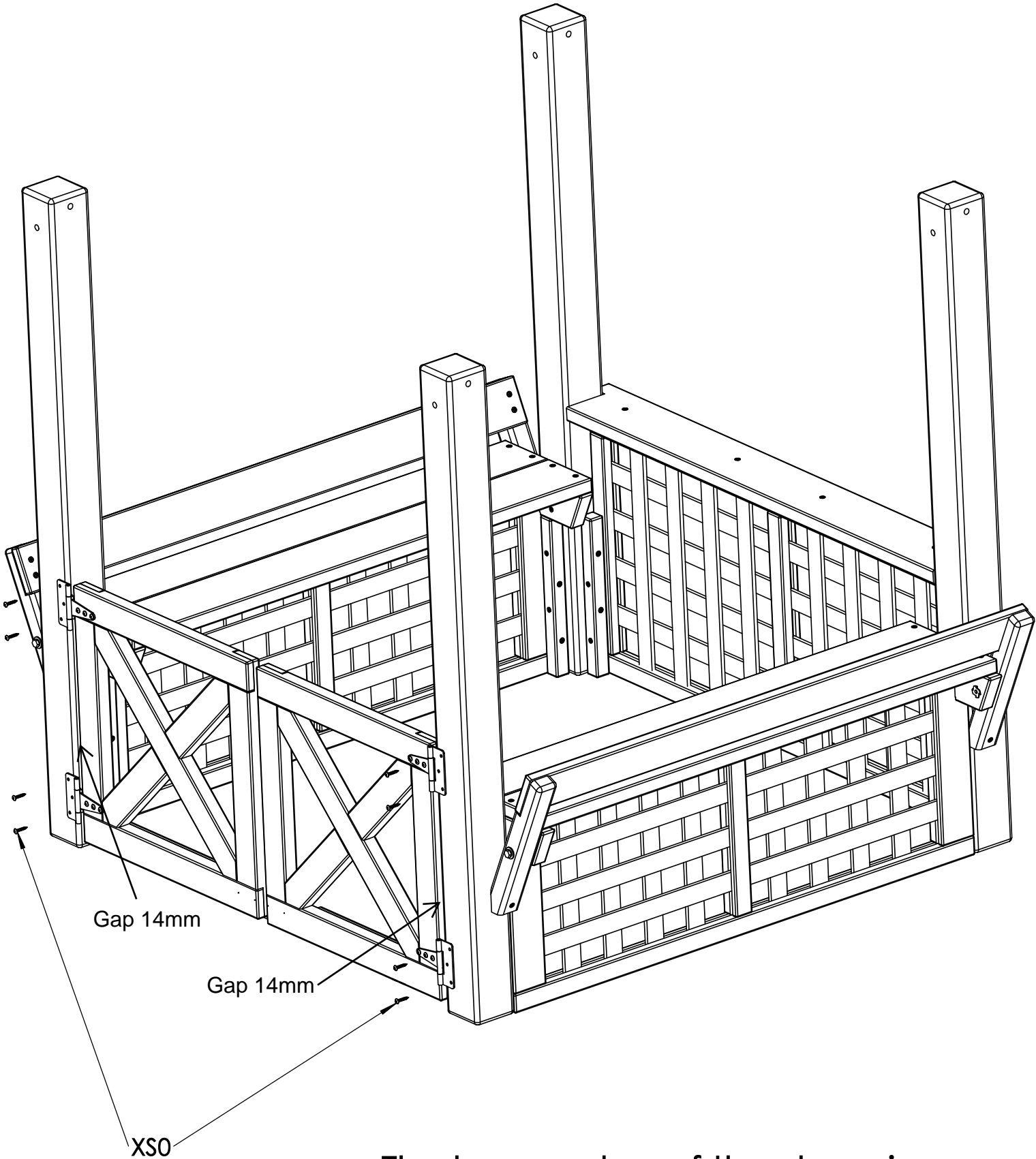


Parts	Qty
2406020	1
magnetic catch	2
L-bracket	2
XS0	6
XS1	4



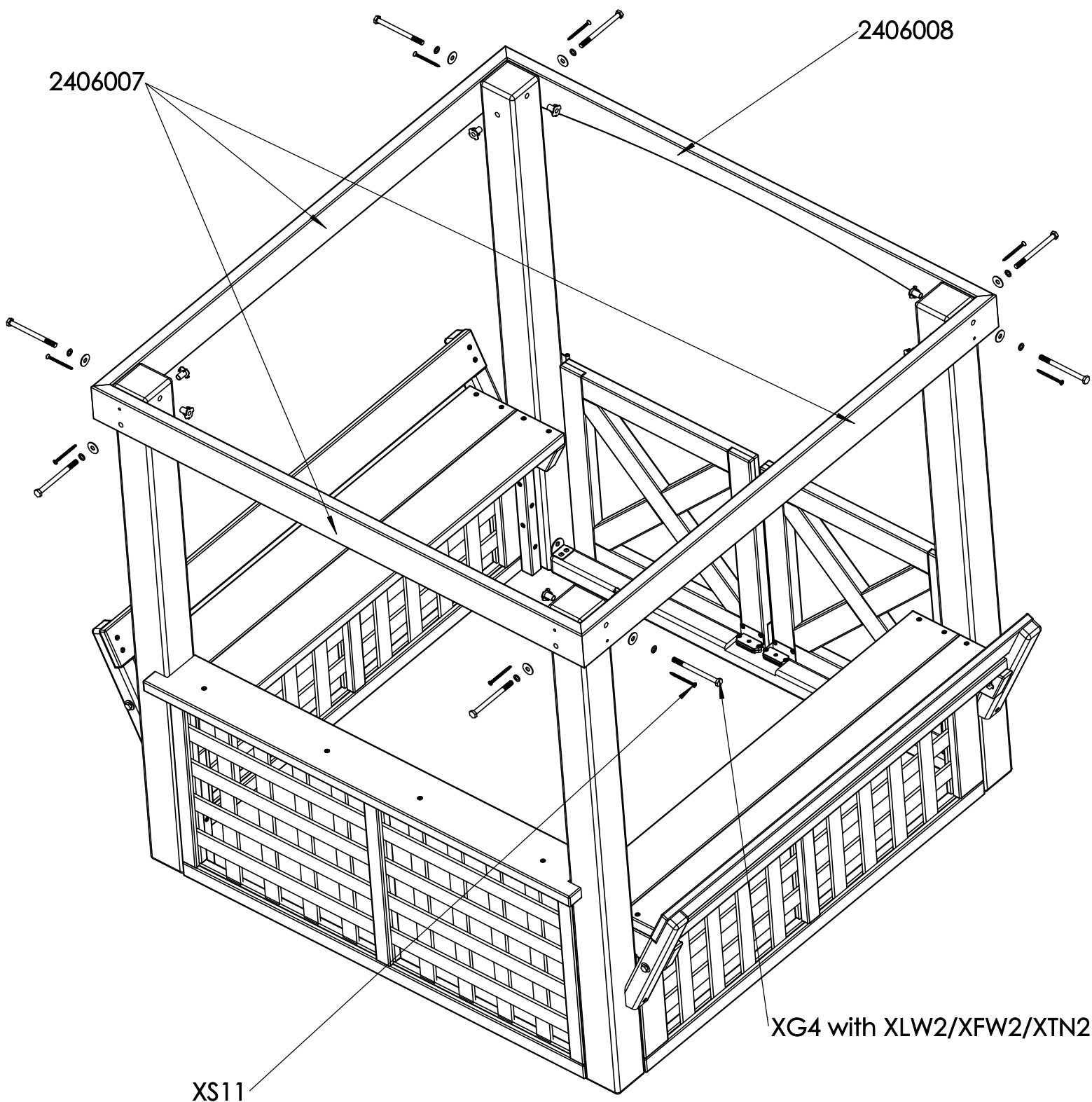
Parts	Qty
2406001	2
hinge	4
steel plate	2
XS0	16

Pre-drill each hole using a 1/8" drill bit for XS0

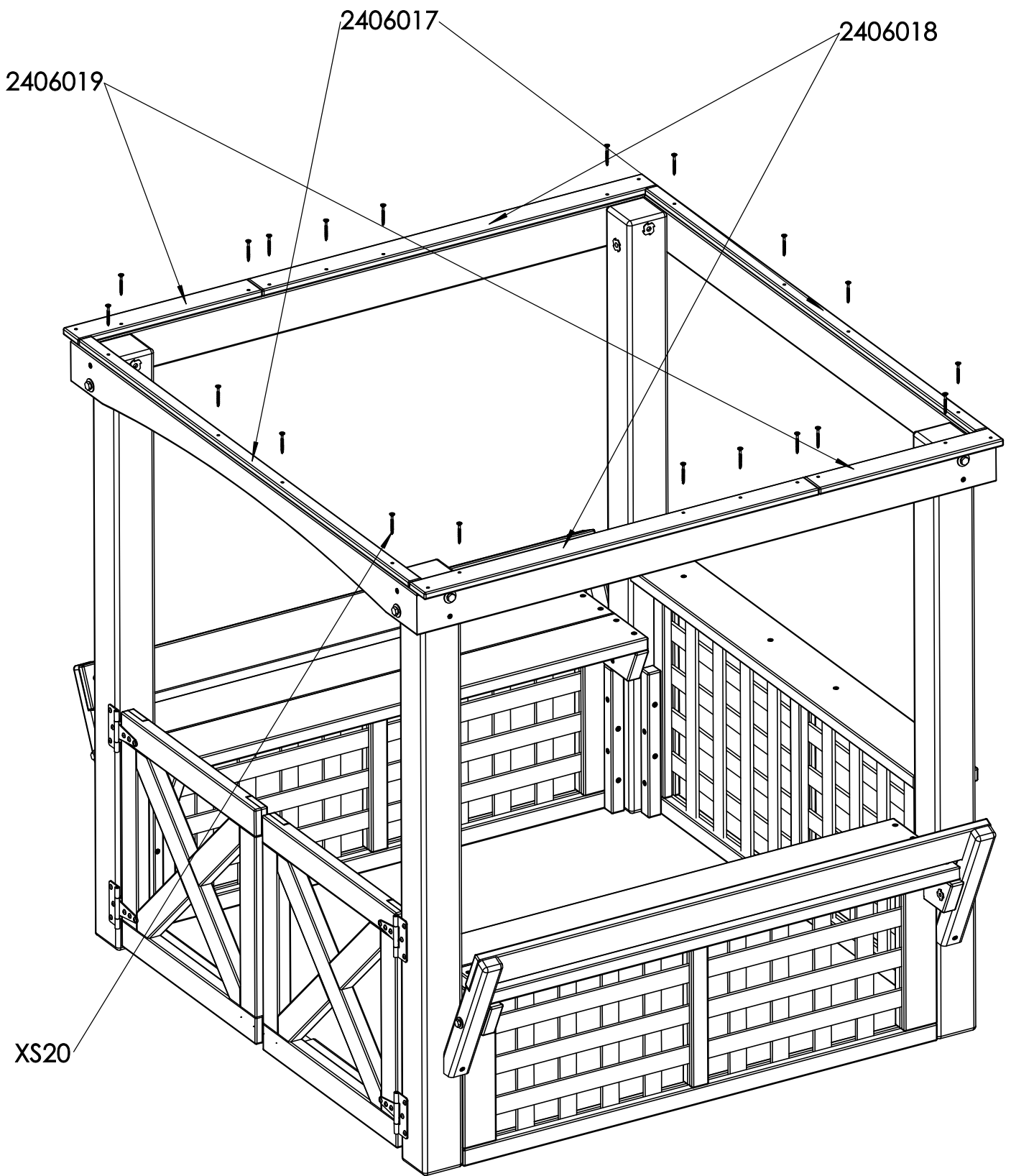


The lower edge of the doors is
15.9mm above ground level

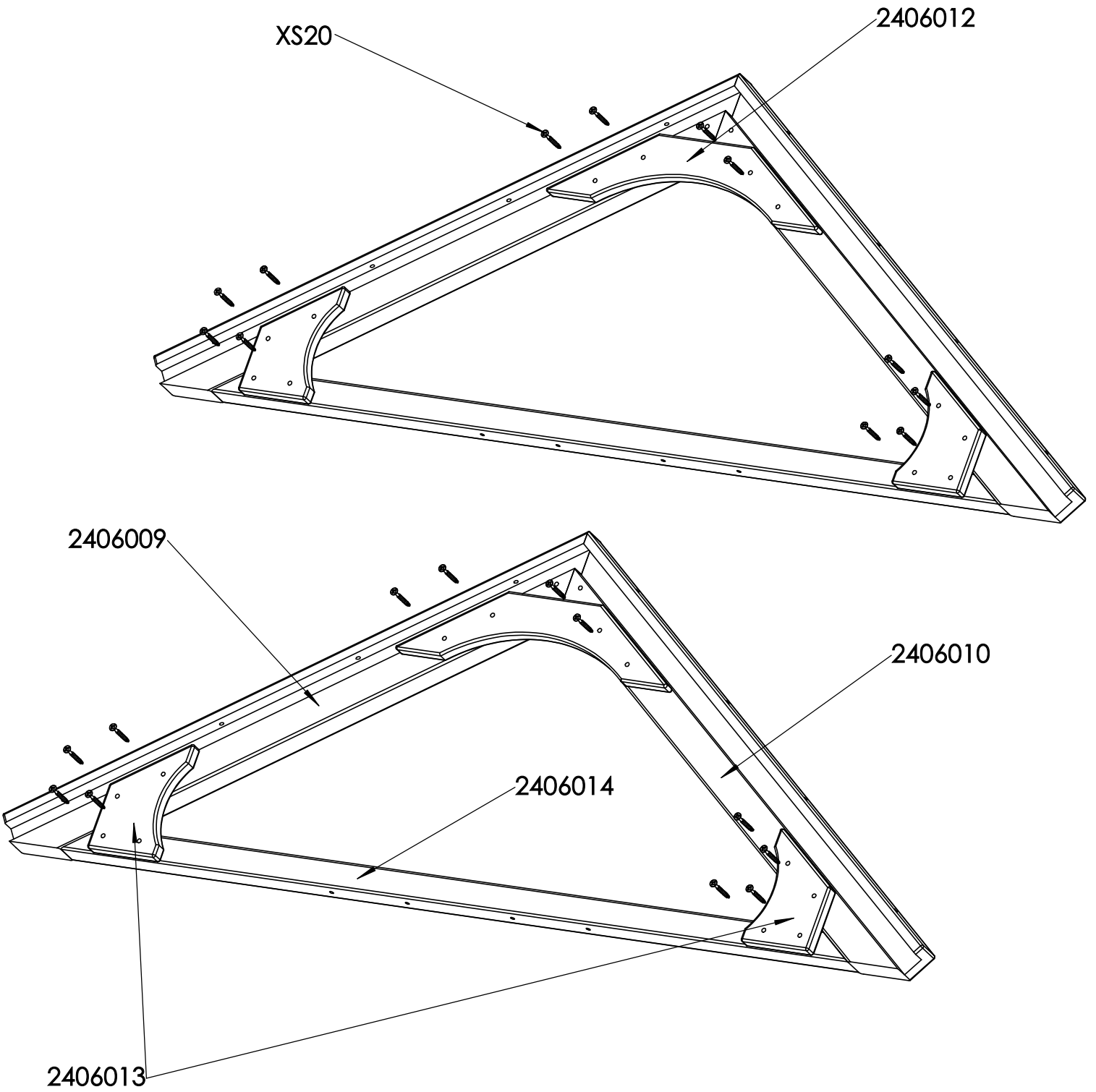
Parts	Qty
XS0	8



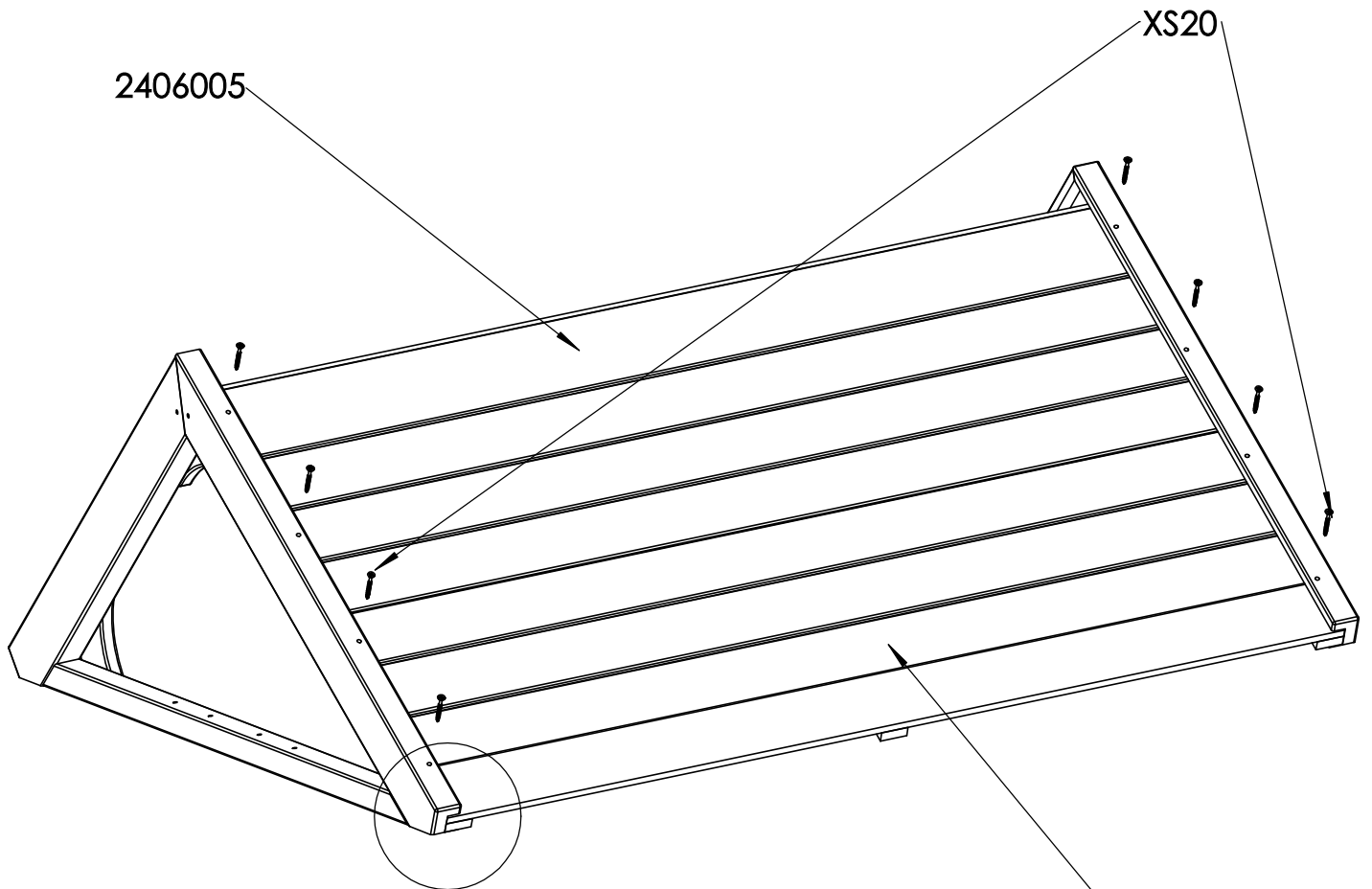
Parts	Qty
2406007	3
2406008	1
XG4	8
XLW2	8
XFW2	8
XTN2	8
XS11	8



Parts	Qty
2406017	2
2406018	2
2406019	2
XS20	20



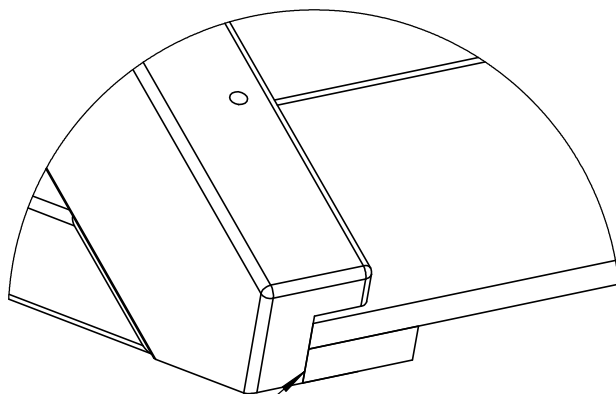
Parts	Qty
2406009	2
2406010	2
2406012	2
2406013	4
2406014	2
XS20	24



2406005

XS20

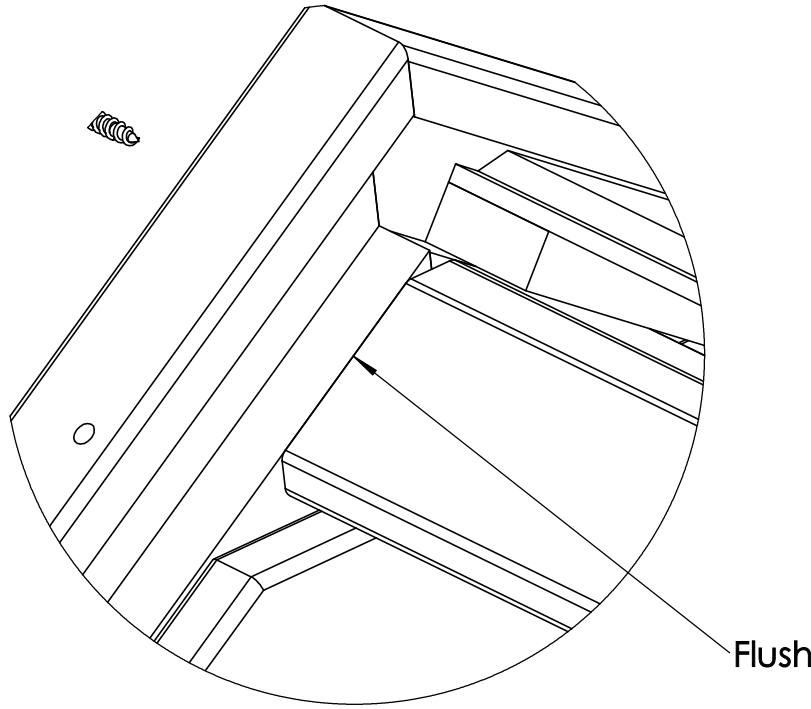
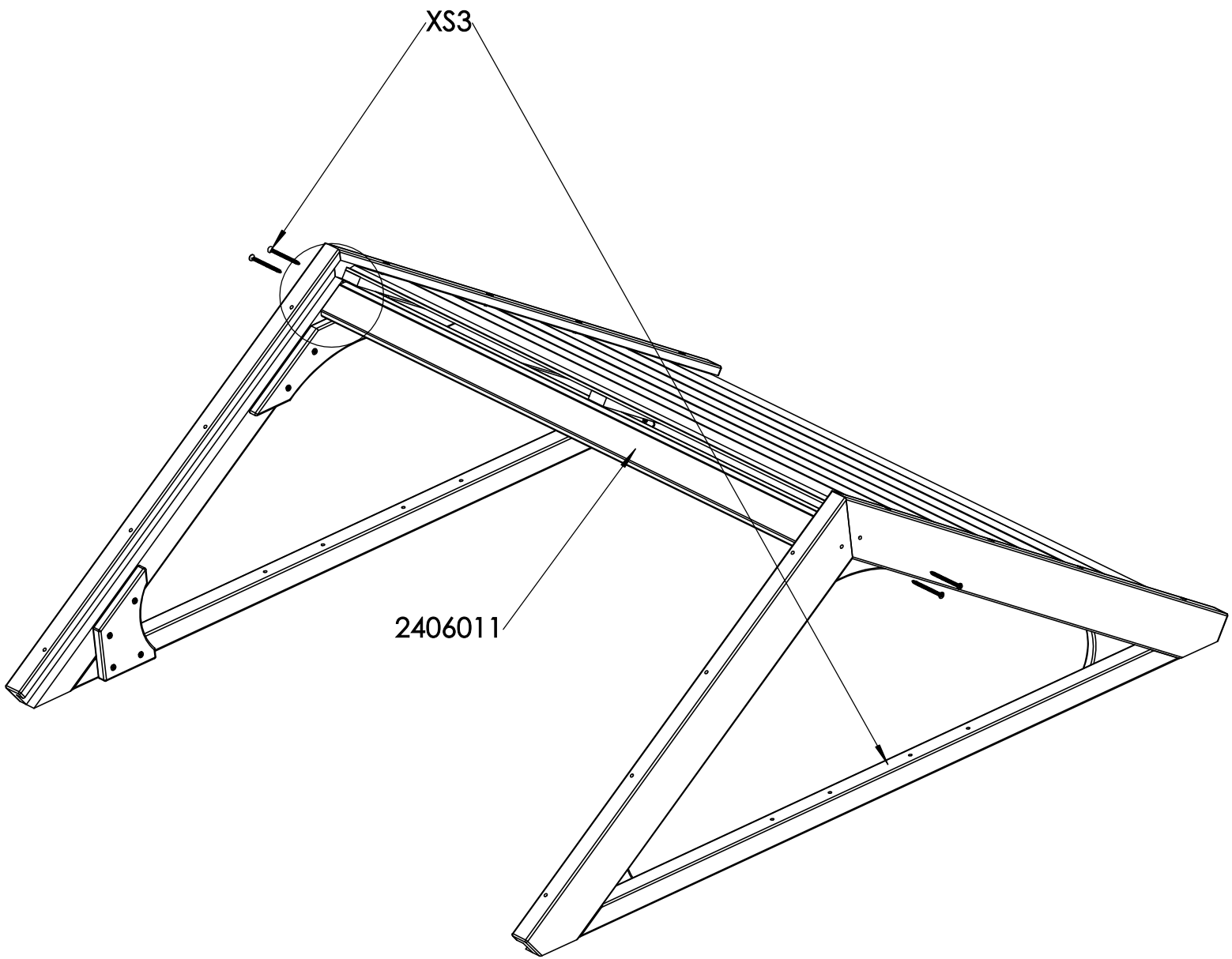
2406004



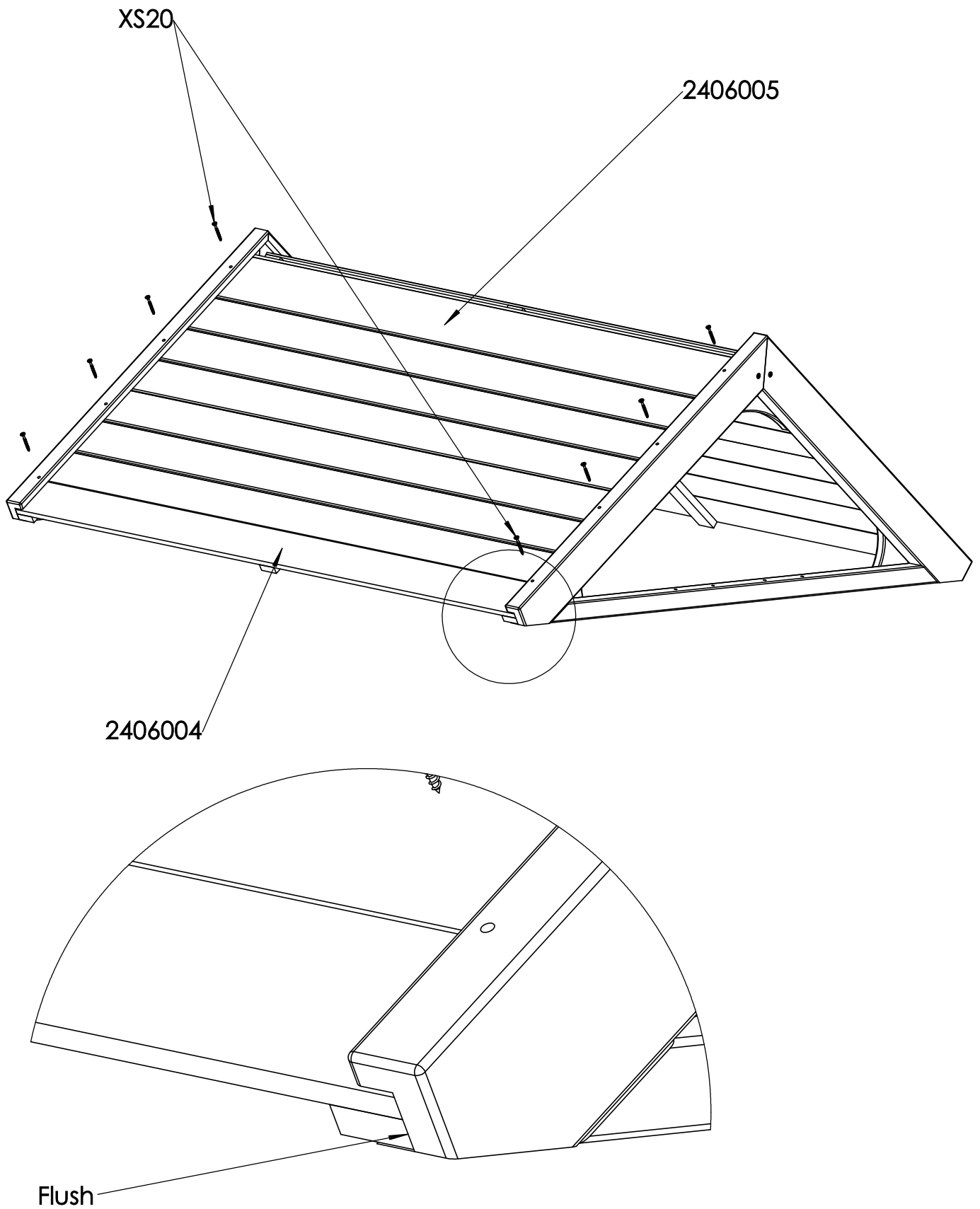
Flush

The triangular frame fits closely to the roof panel without gaps

Parts	Qty
2406004	1
2406005	1
XS20	8

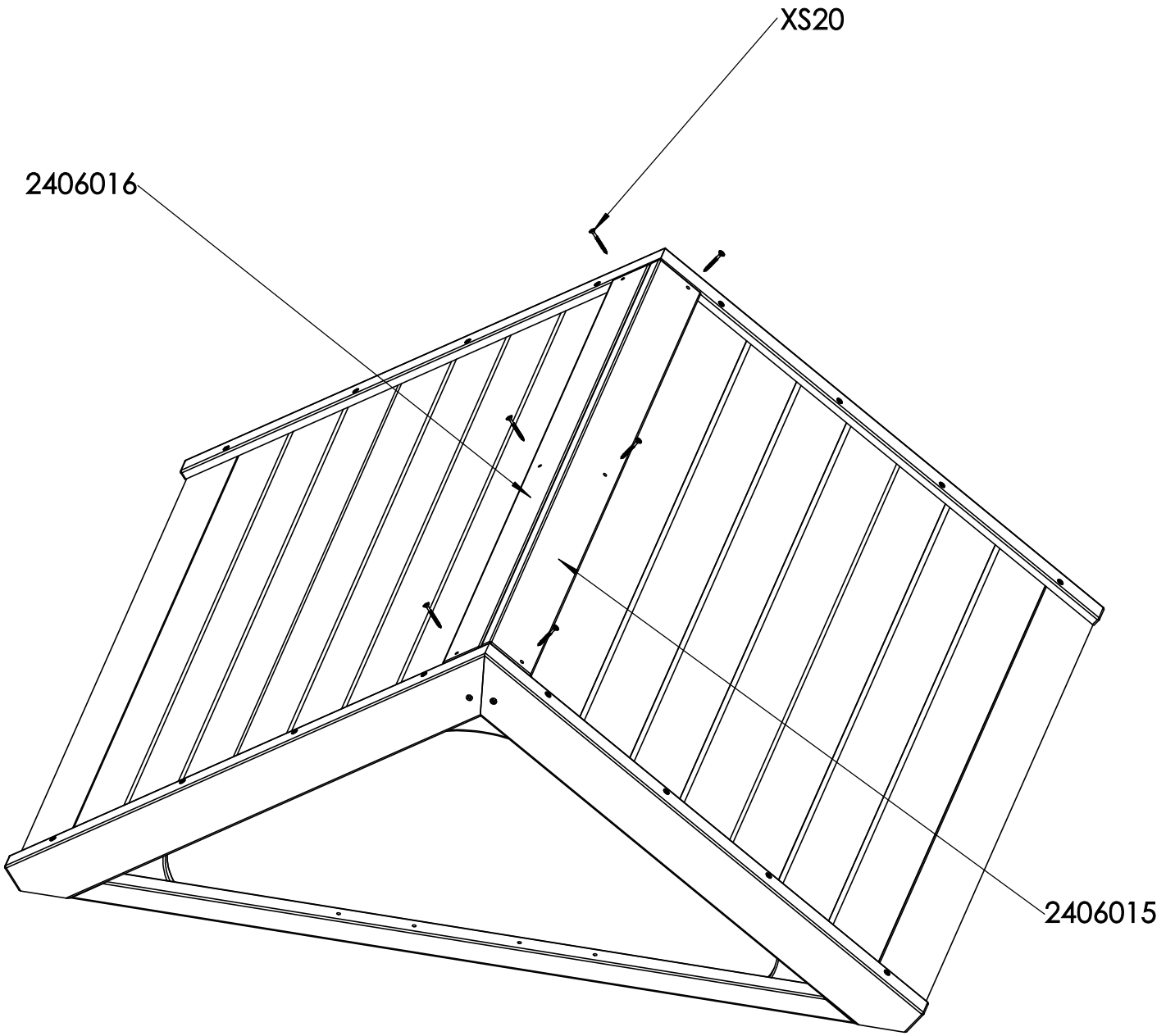


Parts	Qty
2406011	1
XS3	4

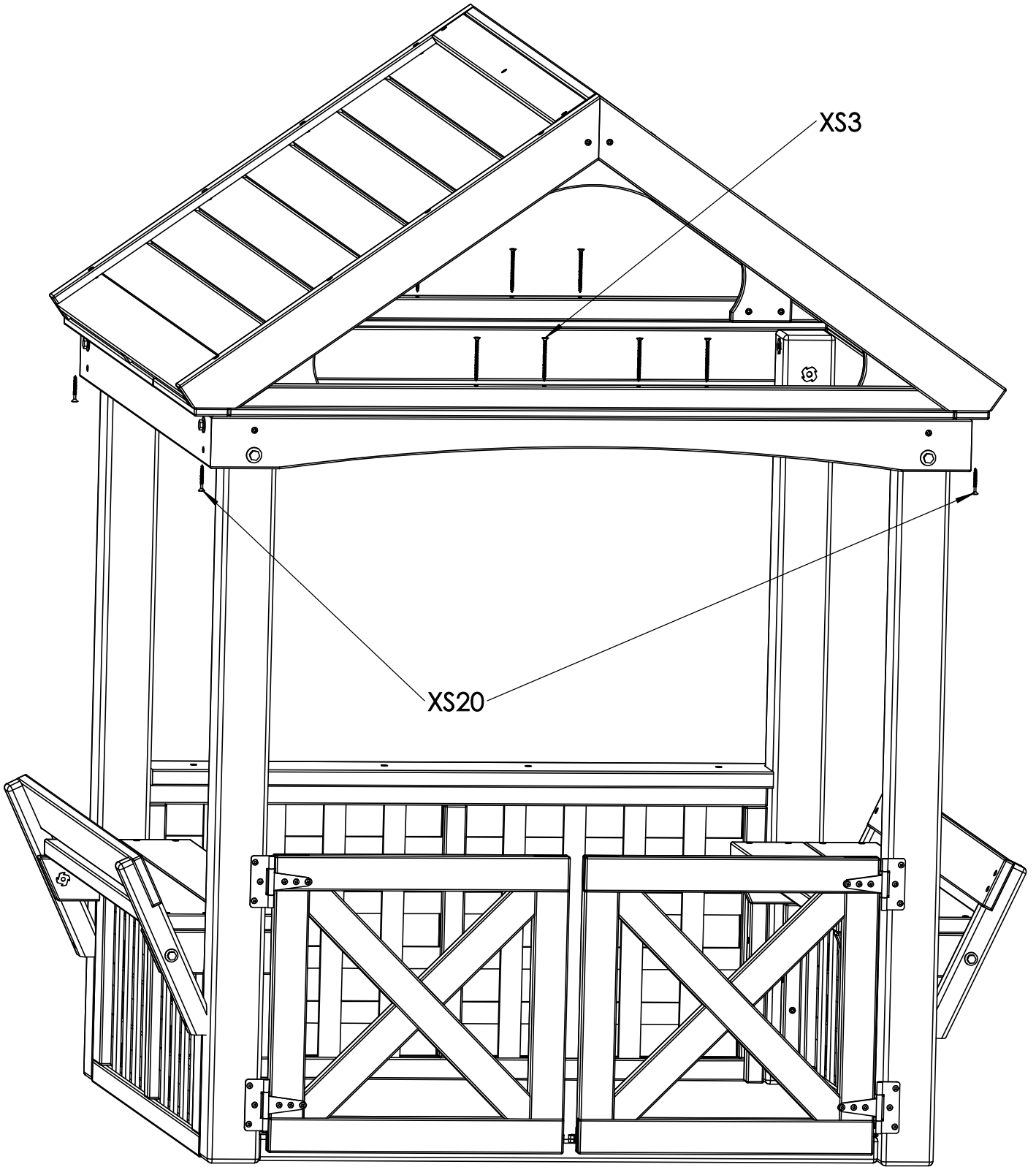


The triangular frame fits closely to the roof panel without gaps

Parts	Qty
2406004	1
2406005	1
XS20	8



Parts	Qty
2406015	1
2406016	1
XS20	6



Parts	Qty
XS3	8
XS20	4