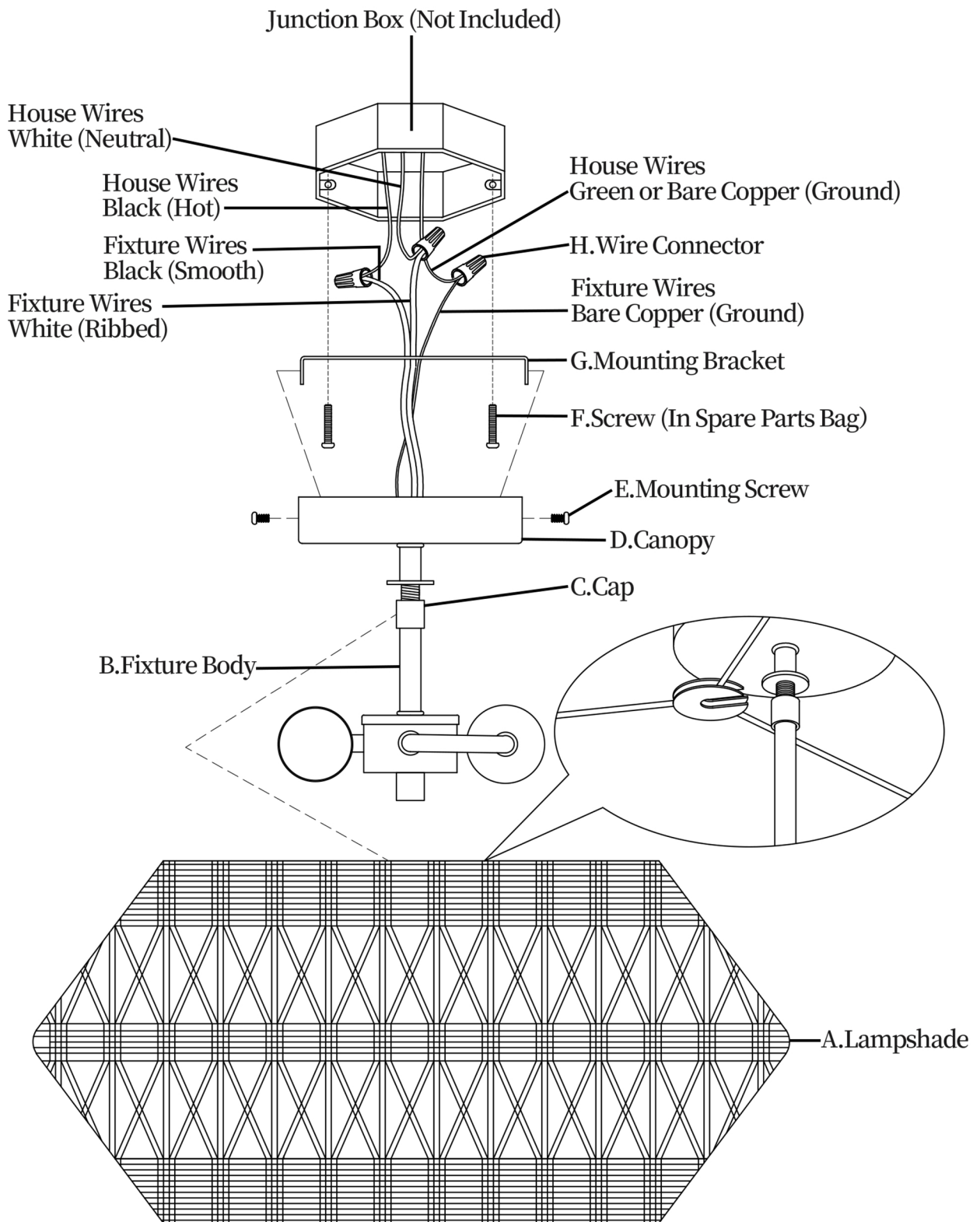


Assembly and Installation Instructions



Warning

1. To prevent electrical shock, always turn off the power at the circuit breaker before installing or servicing this flush mount light.
2. it's recommended to consult a professional electrician to ensure the branch circuit conductor is correct and for help with complex installations.
3. For added safety during installation, consider wearing appropriate protective gear such as gloves and safety glasses.

Tools Required

Step ladder
Phillips head screwdriver
Pliers
Wire strippers
Voltage tester

Package Contents

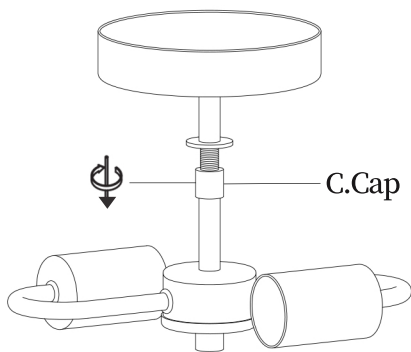
Fixture Body x 1
Lampshade x 1
Mounting Bracket x 1
Mounting Screws x 2
Spare Parts Bag x 1
Assembly and Installation Instructions x 1

Product Specifications

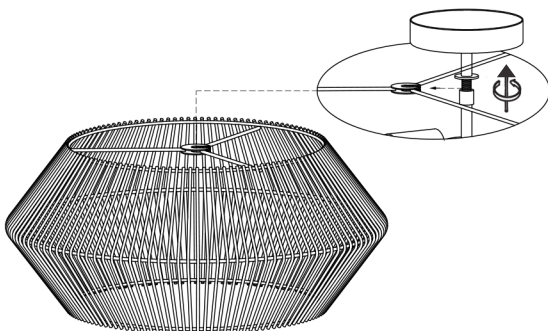
2-Light Flush Mount Light
2 medium base (E26) bulb,
max 60W (bulb not included)
Voltage: 120V

Assembly Instructions

1. Carefully unpack the fixture, checking all parts for completeness and free of damage. If you find any missing or damaged parts, please reach out at your earliest convenience for a resolution.
2. Locate cap (C), screw cap (C) down about half inch as below.



3. Attach the lampshade (A) to the top of cap (C) by inserting the cut-out of the center shade washer to the threaded tubing and tighten it by screw cap (C) up.



Installation Instructions

1. Using a voltage tester, ensure no power is running through the junction box. Verify that the junction box is structurally secure and without any exposed wires.
2. Remove the two mounting screws (E) on both sides of the canopy (D) to release the mounting bracket (G).
3. Securely fasten the mounting bracket (G) to the ceiling junction box using the provided screws (F) from the spare parts bag.

4. Wire Connection Steps

- a. Locate the wire connectors (H) supplied with the fixture.
 - b. Attach the fixture's ground wire to the green screw on the mounting bracket (G). To do this, wrap the ground wire around the green screw, ensuring that the wire is securely in contact with the screw. Tighten the screw firmly to hold the ground wire in place. **Make sure that there is enough excess ground wire to allow for a secure connection to the house's ground wire.**
 - c. Take the house wire end and the fixture wire end, black (hot) to black (smooth), white (neutral) to white (ribbed), and green/bare copper (ground) to bare copper (ground).
 - d. Align the two ends and insert them together into the wire connector (H). Once they are in place, twist the connector (H) until it feels tight. A good indication of secure connection is when the wires remain connected when tugged lightly. Repeat the process for each wire pair.
5. Gently raise the canopy (D), aligning it with the mounting bracket (G). Secure it using the provided mounting screws (E) at both sides. Hide any visible wiring properly.
 6. Once the fixture is secure, carefully screw in the light bulbs, ensuring not to exceed the recommended wattage.
 7. Restore power at the breaker and maintain a safe distance from the fixture until it's confirmed to be functioning correctly. This measure is necessary for maintaining safety during the post-installation phase.

Friendly Reminder

If you encounter any difficulties during the installation process, never hesitate to seek assistance, we're committed to ensuring your installation process is as smooth and successful as possible.

Maintenance Instructions

1. Inspect the flush mount light periodically for any loose connections or signs of wear and tear. Secure any loose parts and replace worn out components promptly to enhance it's longevity.
2. Clean with a soft, dry cloth, a feather or microfiber duster. Avoid using liquid cleaners or abrasive materials.
3. When replacing bulbs, ensure the flush mount light is switched off and cooled down before handling. Use bulbs of appropriate wattage to prevent heat damage.
4. This flush mount light is intended for indoor and dry conditions only. Exposure to outdoor or moist environments can lead to damage.