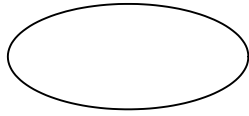


Product Assembly Instructions

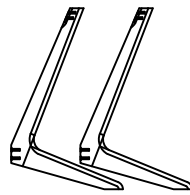
DINING TABLE

PART LIST



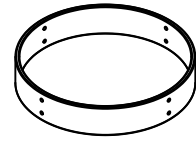
A : TABLE TOP

x1



B : TABLE LEG

x4



C : METAL ROUND SUPPORT

x1

HARDWARE LIST



D : JCBB SCREW M8 x 70MM

x8



E : SPRING WASHER 5/16"

x8



F : FLAT WASHER 5/16"

x8



G : JCBB SCREW M6 x 30mm (BLACK)

x8



H : ALLEN KEY M4 BALL SHAPE (LONG)

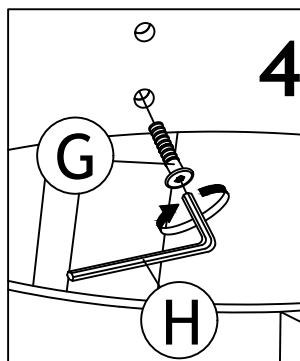
x1



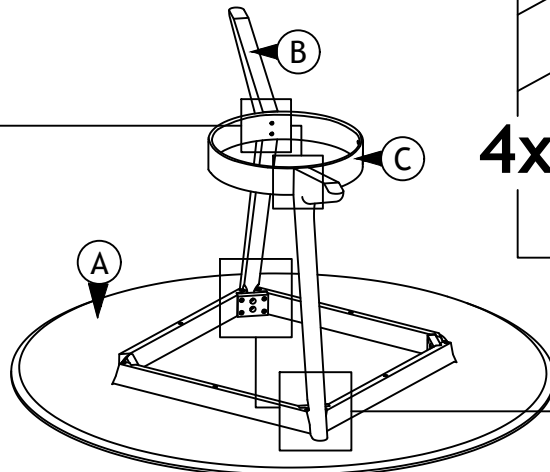
I : ALLEN KEY M5

x1

STEP 1

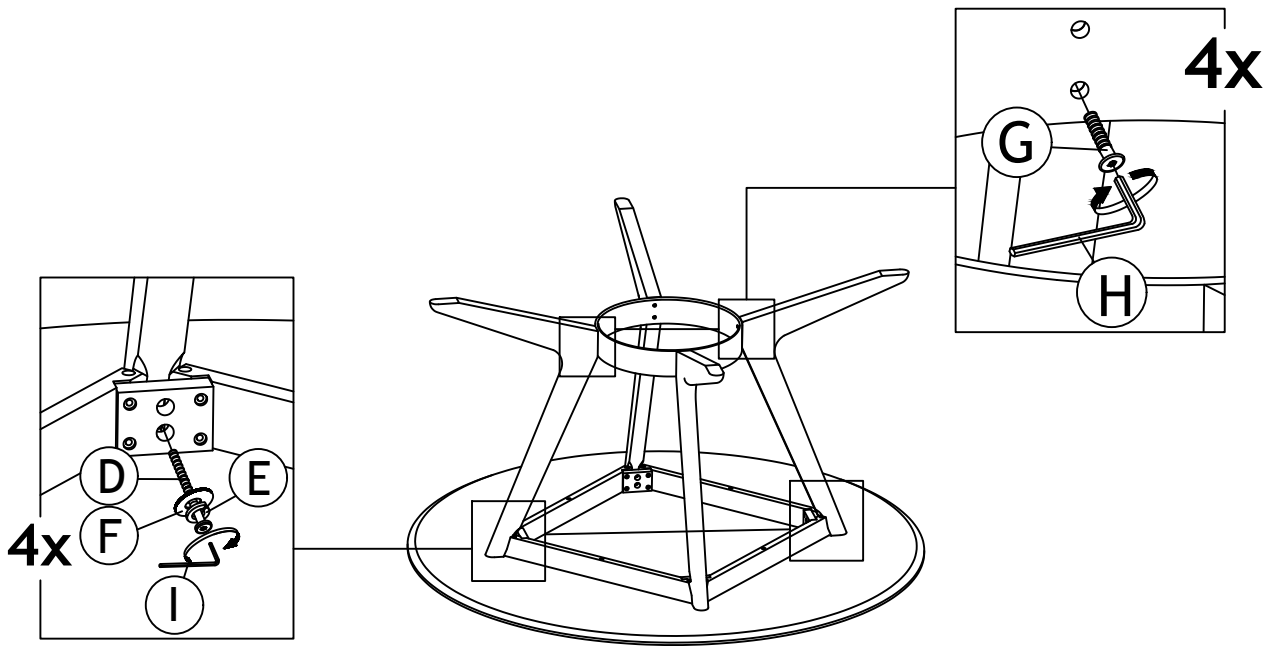


4x



4x

STEP 2



STEP 3

