



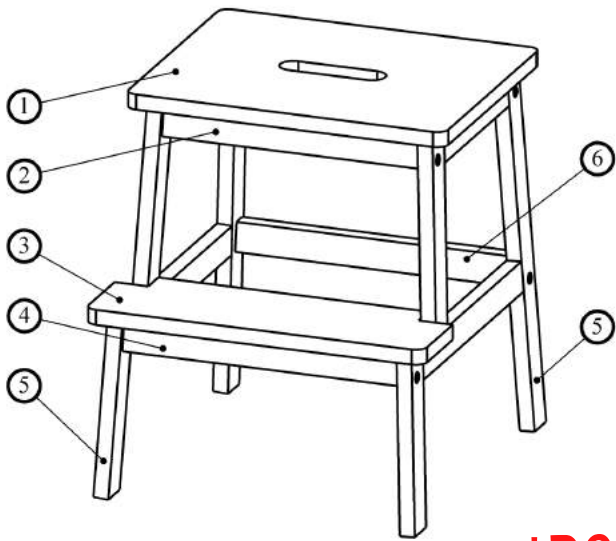
WARRANTY REGISTRATION




Thank you very much for choosing our product. We want to remind you that in the unlikely event of a manufacturing defect, we will happily replace free of charge within one year of your purchase date.

Please take a few minutes and register your product warranty by sending an email to support@beefurni.com:

1. Email title "Warranty"
2. Write "Order ID, Name & Address"
3. Click to send

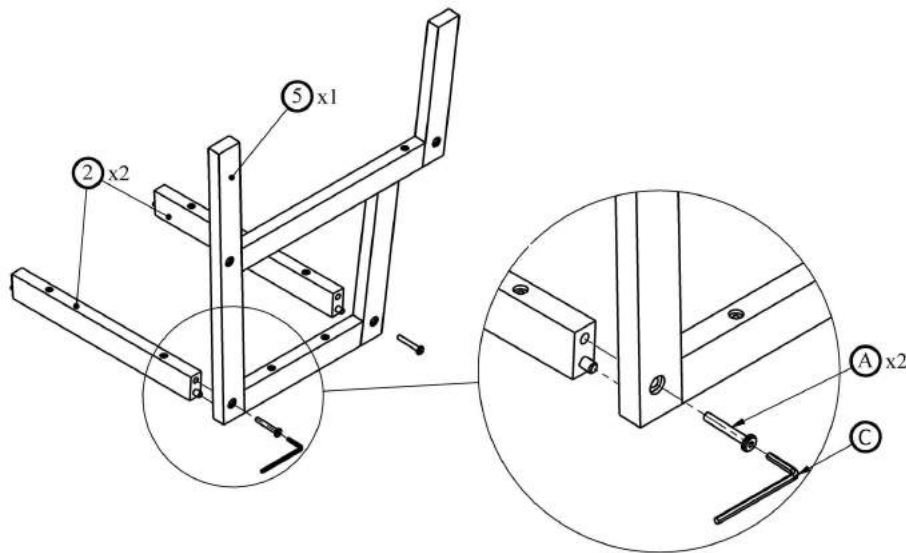
PARTS AND HARDWARE LIST



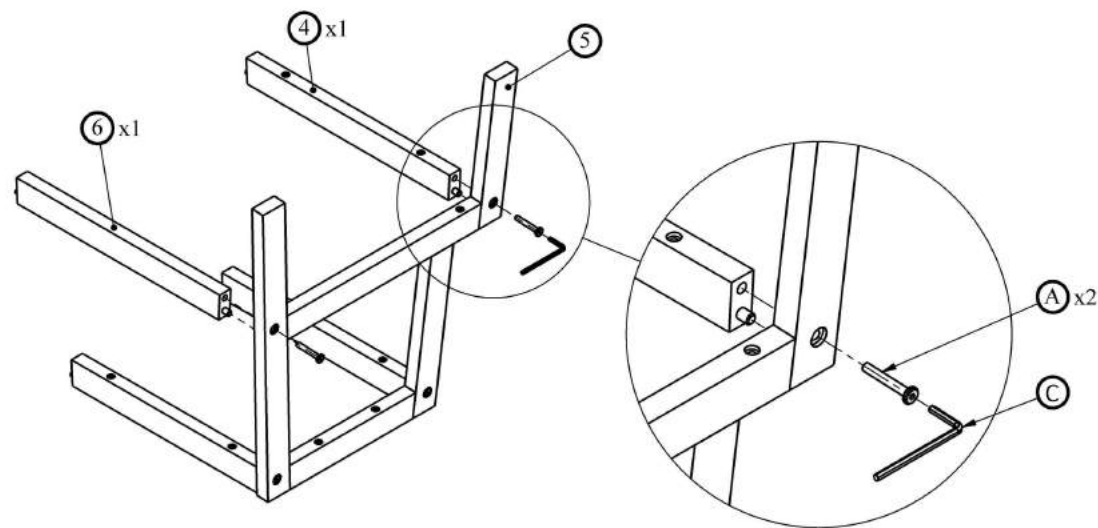
NO	DESCRIPTION	QTY	IMAGES
1	TOP 1	1	
2	SUPPORTING BAR 1	2	
3	TOP 2	1	
4	SUPPORTING BAR 2	1	
5	LEGS	2	
6	SUPPORTING BAR 3	1	
A	SCEW M6x40	8	
B	SCEW M4x40	10	
C	ALLEN KEY K4	1	

***DO NOT tighten the screws until all of parts set into correct position!**

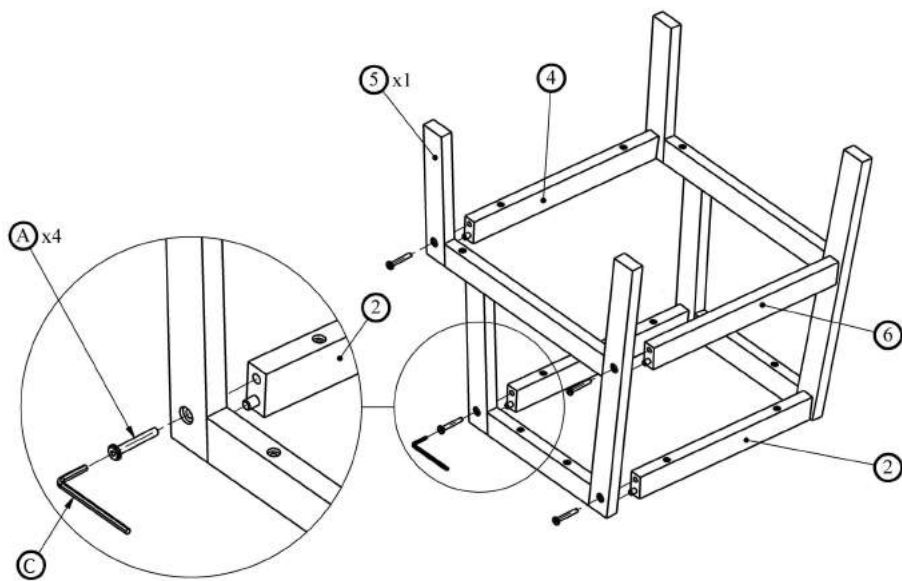
Step 1: Fix Supporting Bar 1 (2) with legs (5) by using Screw (A) with Allen Key K4 (C).



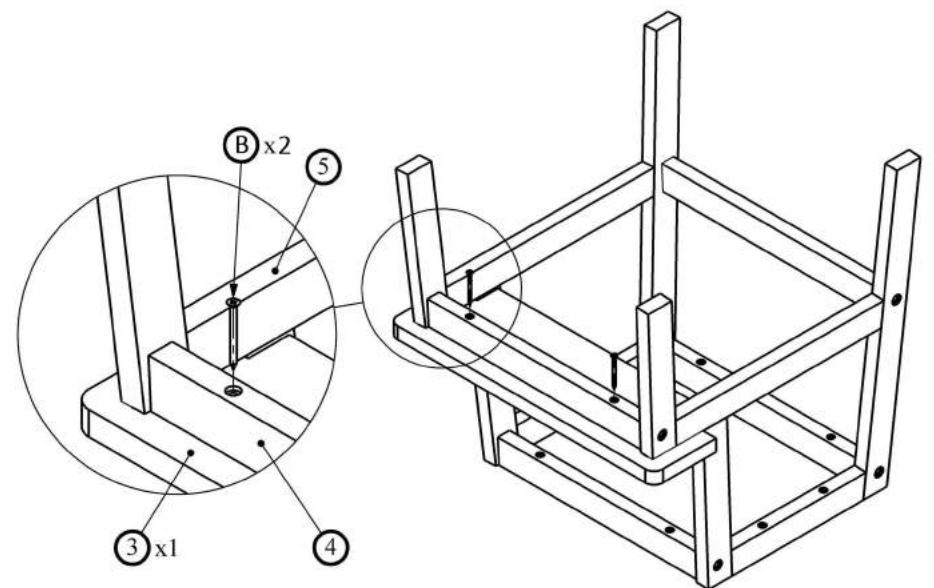
Step 2: Fix Supporting Bar 2 and 3 (4,6) with legs (5) by using Screw (A) with Allen Key K4 (C).



Step 3: Fix Legs (5) With Supporting Bar 1, 2 and 3 (2,4,6) by using Screw (A) with Allen Key K4 (C).



Step 4: Fix Top 2 (3) with Supporting Bar 2 (4) and Legs (5) by using Screw (B) with Screwdriver.



Step 5: Fix Top 1 (1) with Supporting Bar 1 (2) and Legs (5) by using Screw (B) with Screwdriver.

ASSEMBLY IS COMPLETE!

