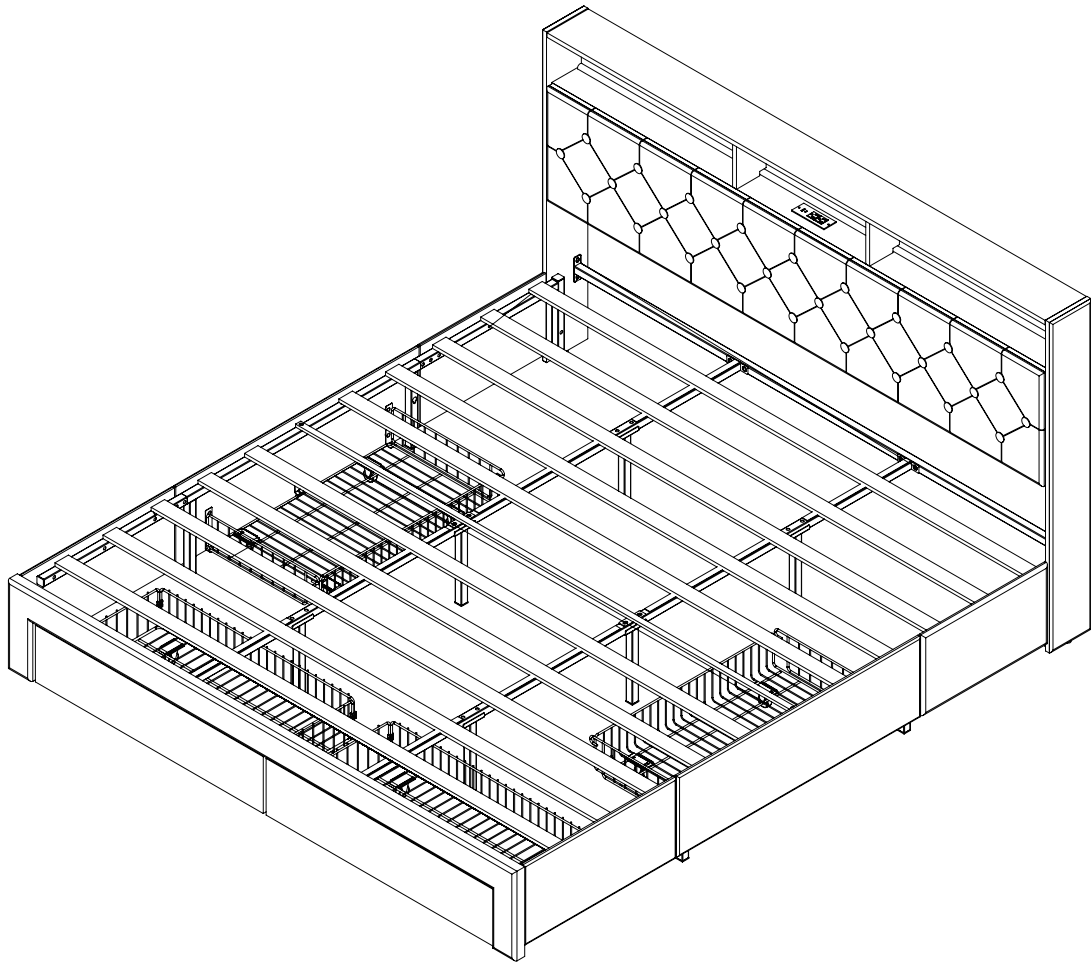


ASSEMBLY INSTRUCTIONS

DEAR CUSTOMER,

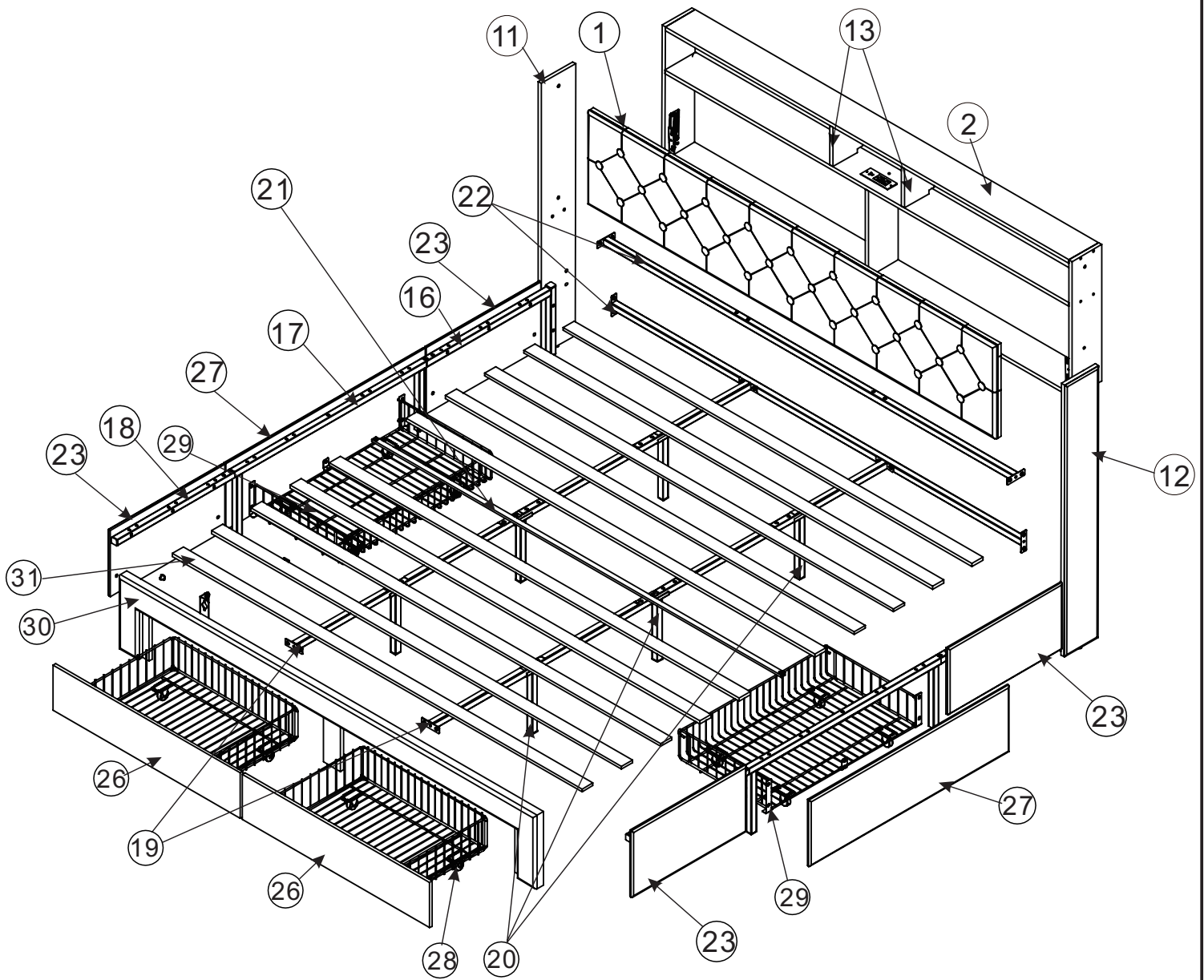
Caution:

1. Please read all instructions before assembly and check the carton for any parts that may have come loose during shipment. It is recommended to use two or more persons during the assembly process.
2. Please do not discard any packaging before you have checked all the parts and fittings are included. If for any reason this product needs to be returned it must be returned packed in its original packaging.
3. Assemble this product on a flat and clean surface to avoid scratching.



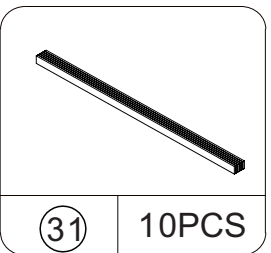
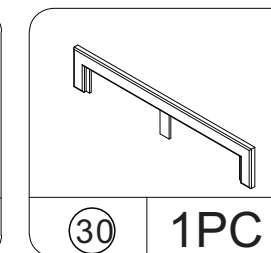
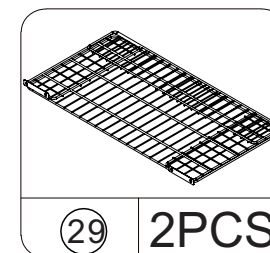
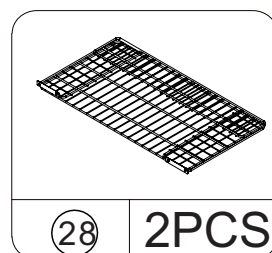
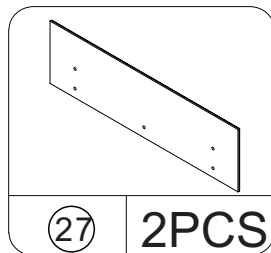
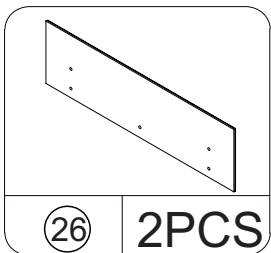
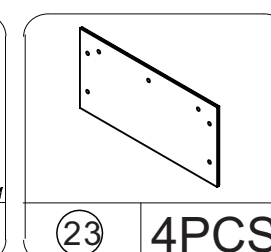
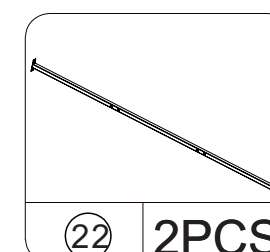
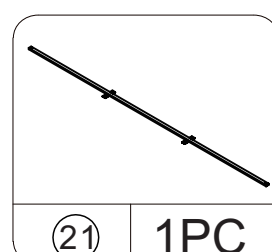
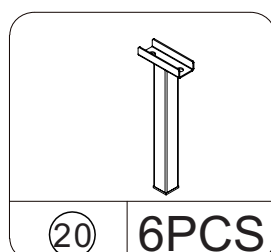
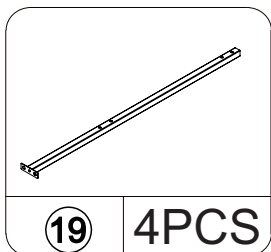
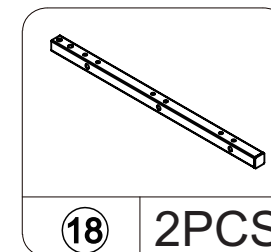
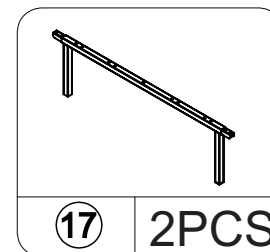
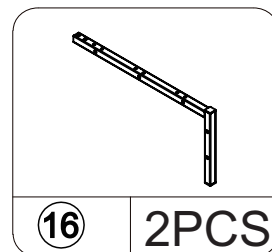
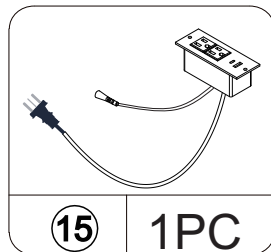
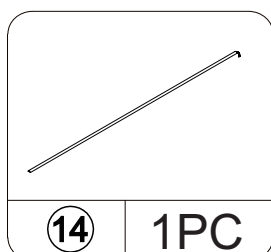
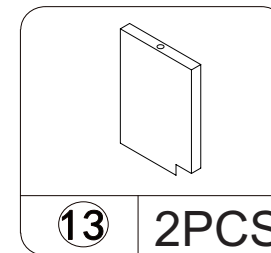
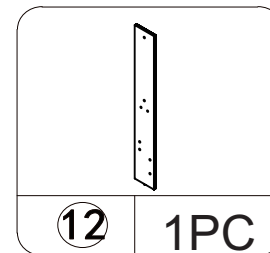
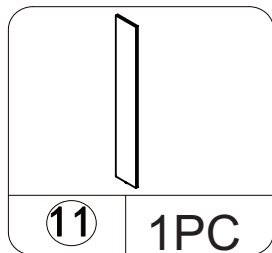
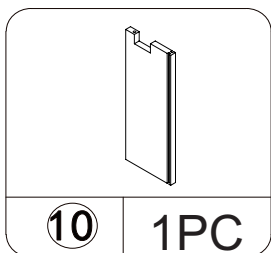
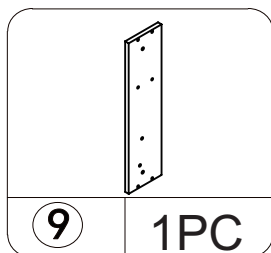
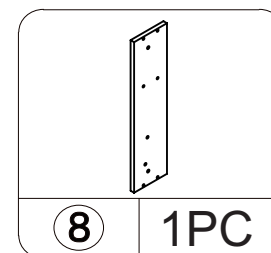
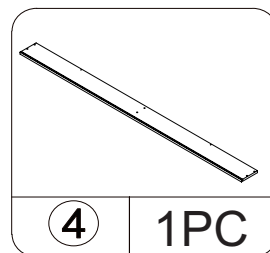
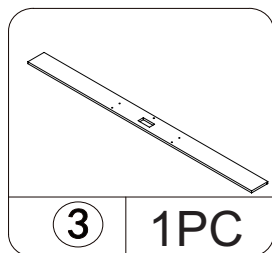
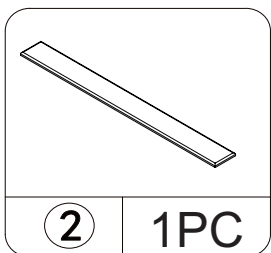
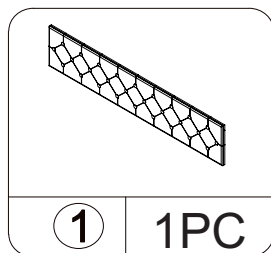
- I. Ensure that all parts and hardware are available before beginning assembly.
- II. Follow each step carefully to ensure the proper assembly of the product.
- III. Two people are recommended for ease in the assembly of this product.

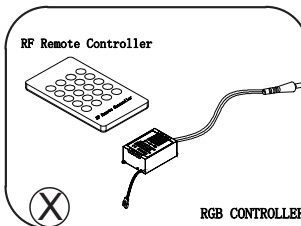
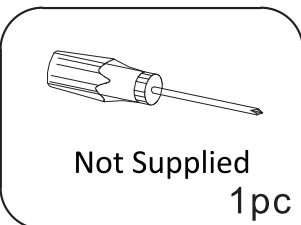
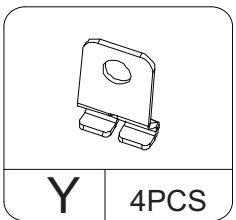
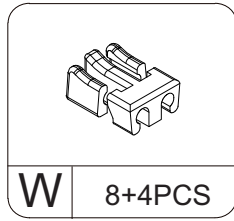
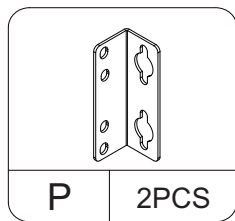
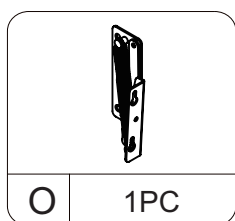
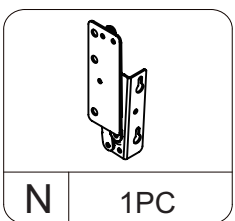
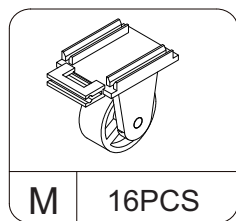
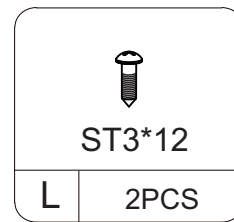
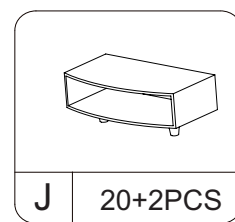
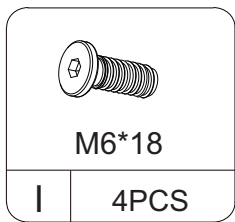
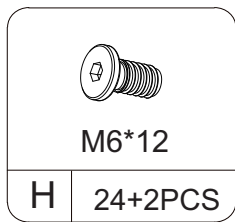
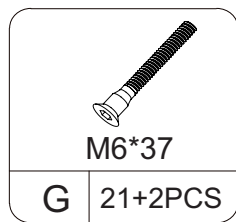
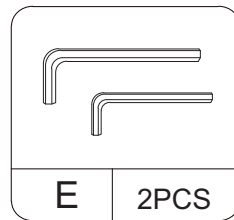
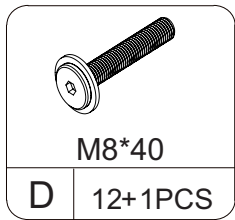
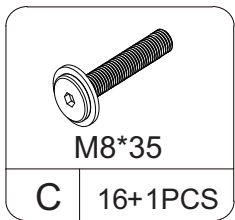
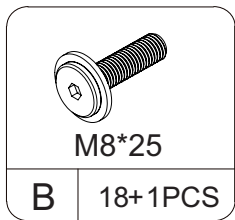
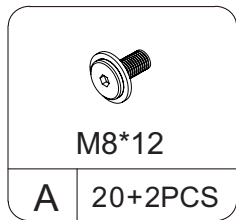
GENERAL ASSEMBLY GUIDELINES



Hardware List

 **Pls make sure all the accessories are complete!**





You can choose mobile control or RF Remote Control

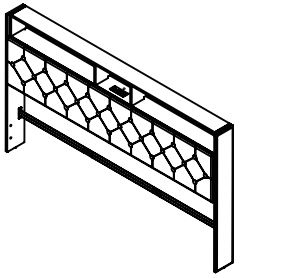
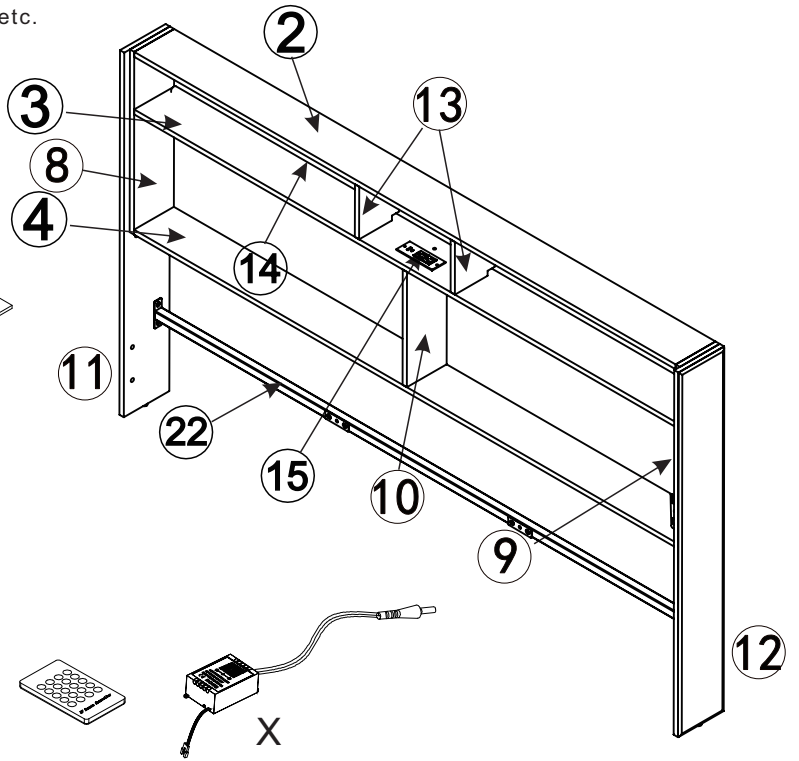
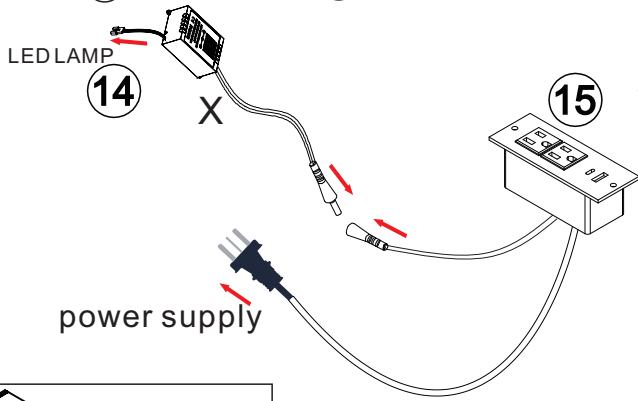
pull out the plastic card on the RF Remote Controller and power on the RF Remote Controller.


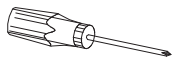
Mobile phone control steps:

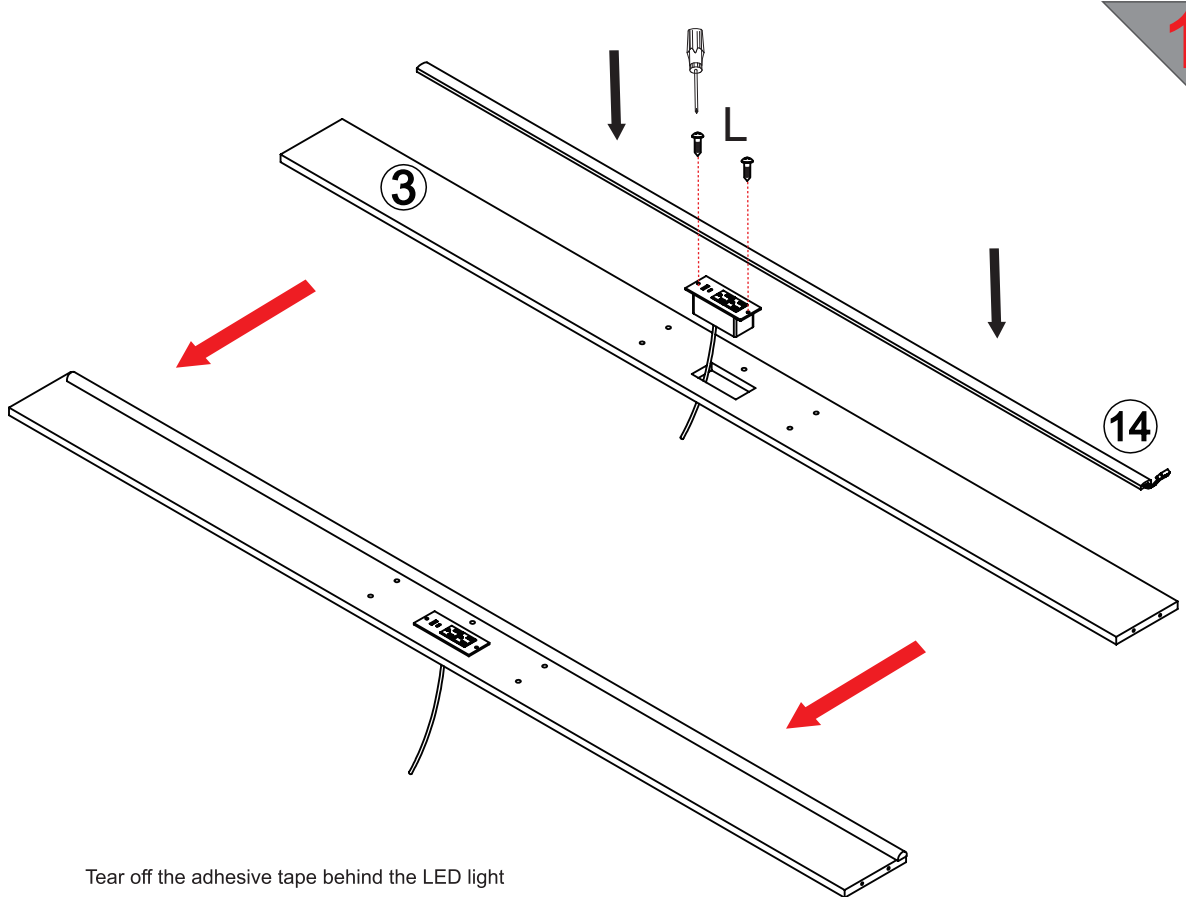
1. Connect LED Lamp and RF RGB Controller.
2. Plug in the Adaptor Power supply.
3. Scan the RF RGB Controller QR code on the controller and download the software HappyLighting.
4. Turn on the Bluetooth function of the mobile phone and search for Bluetooth pairing "Trinoes".
5. Open the "Happy lighting" APP and switch colors change, etc.

LED LAMP (14) connected to (X)

Part (X) connected to (15)




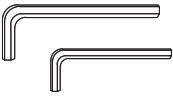
	
ST3*12	
L	2PCS
	
Not Supplied 1pc	

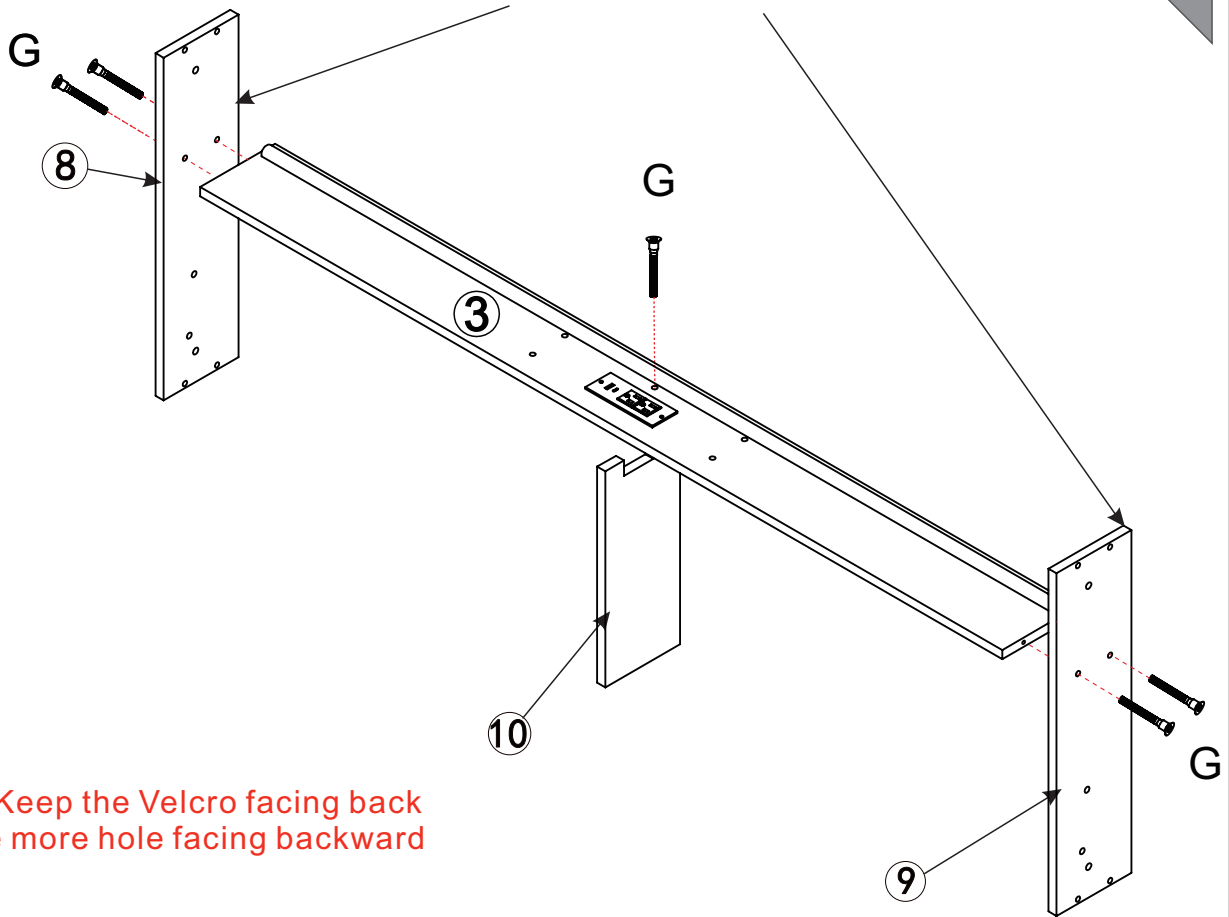


Tear off the adhesive tape behind the LED light
LED light pasted on the board


Velcro facing back

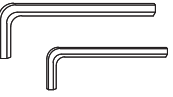
	
M6*37 mm	
G	5 PCS

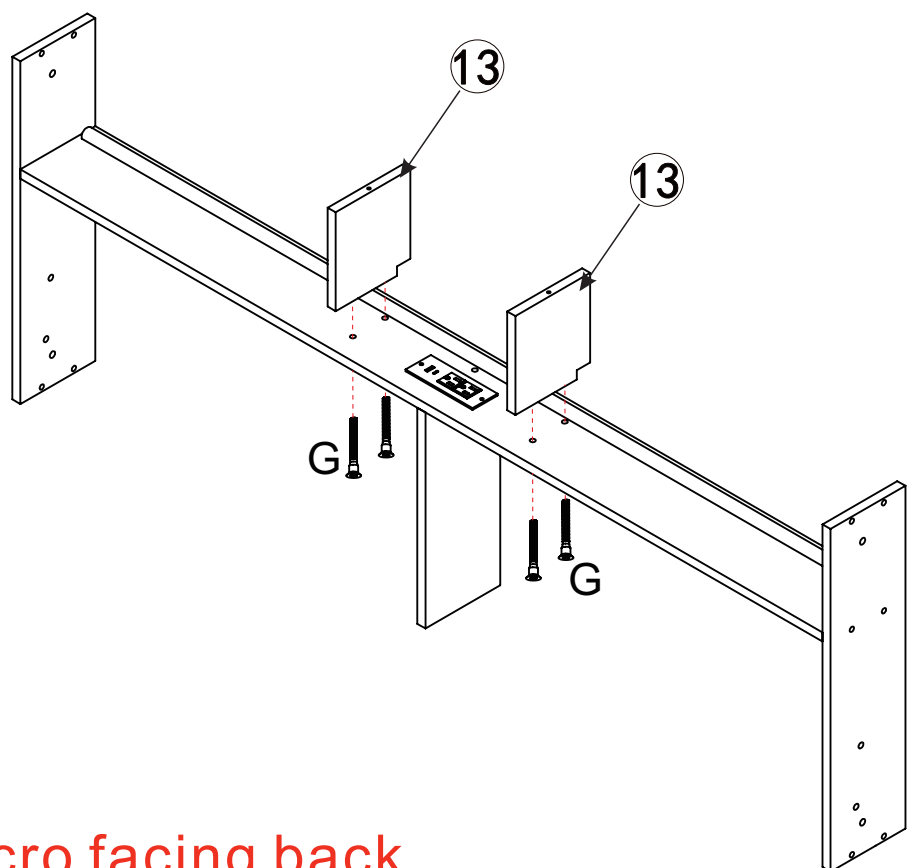
	
E	
2PCS	



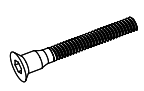
Parts 8 and 9 Keep the Velcro facing back
Unit 3 has one more hole facing backward

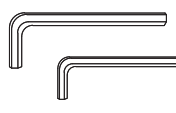
	
M6*37 mm	
G	4 PCS

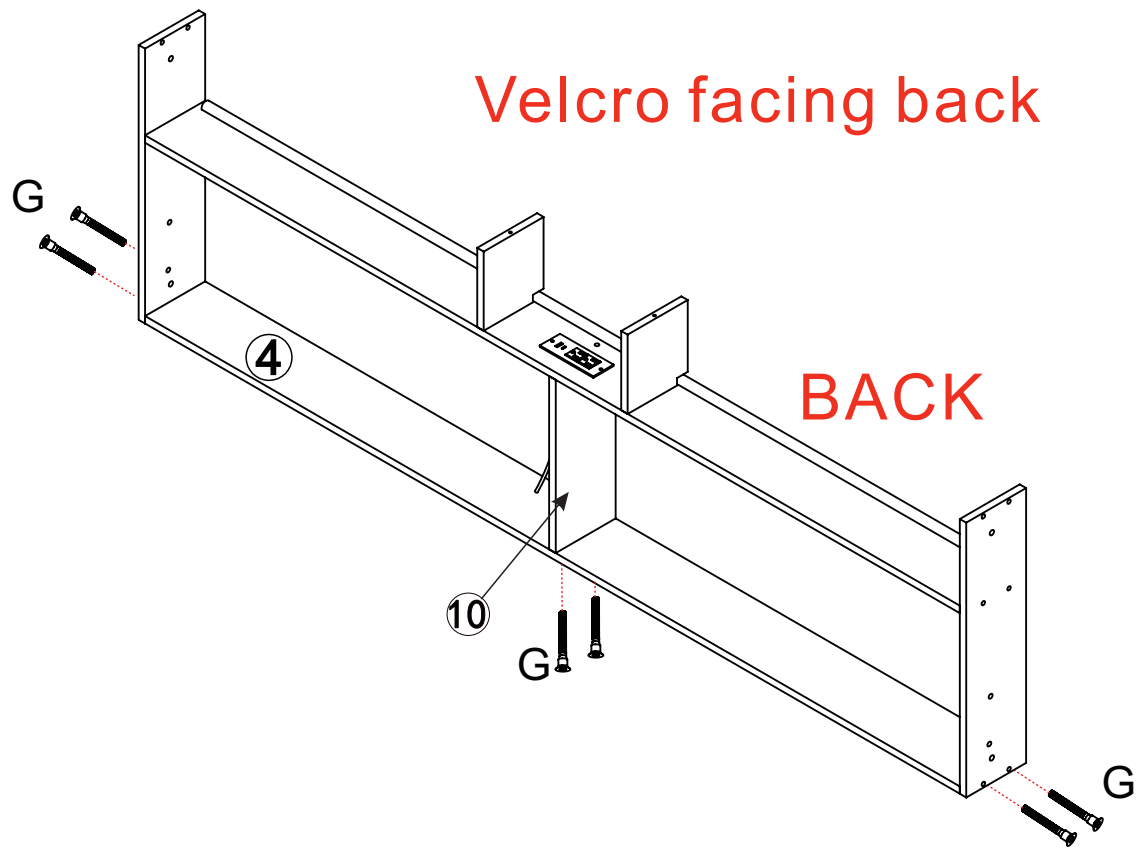
	
E	
2PCS	




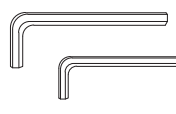
Velcro facing back

	
M6*37 mm	
G	6 PCS

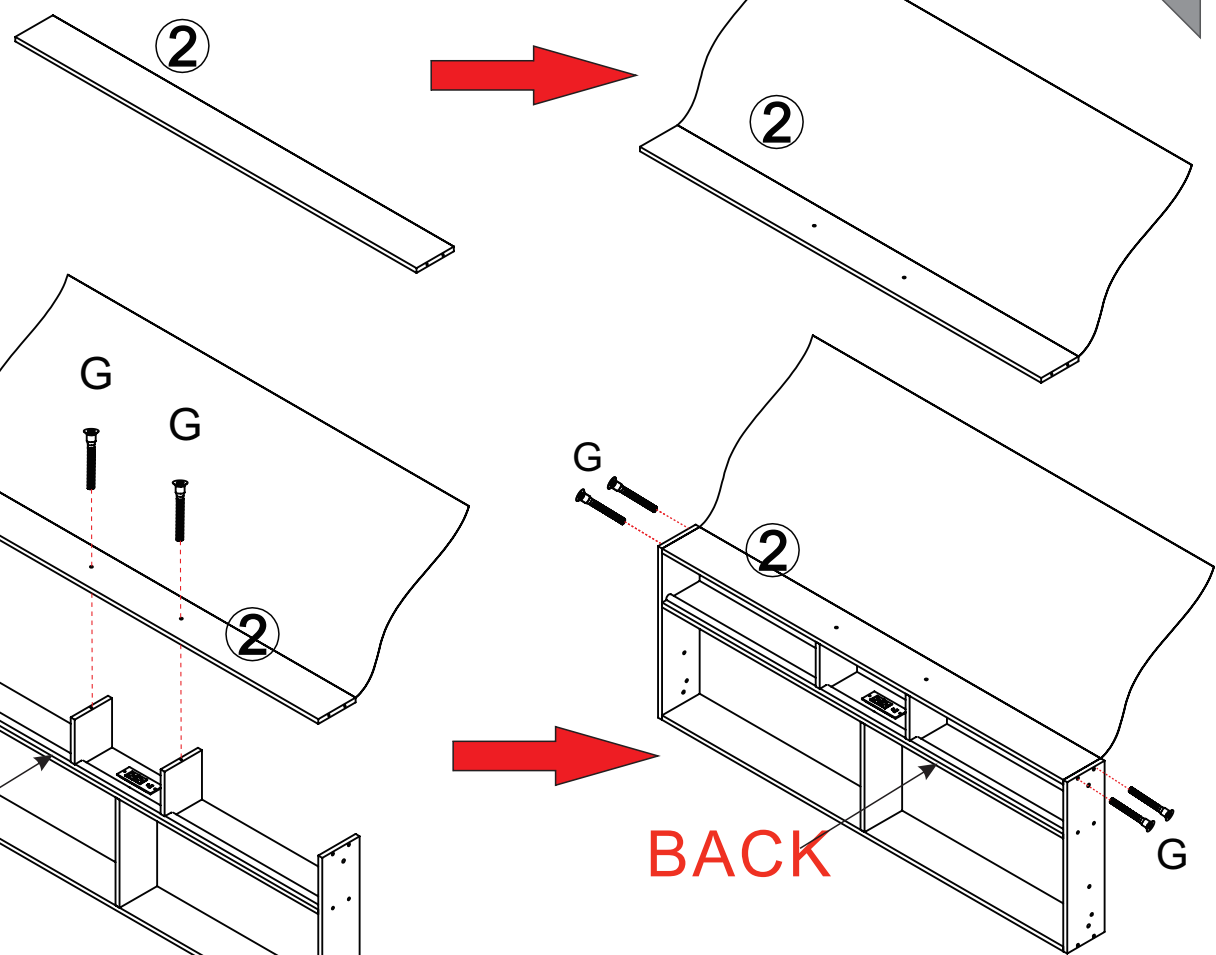
	
E 2PCS	



	
M6*37 mm	
G	6PCS

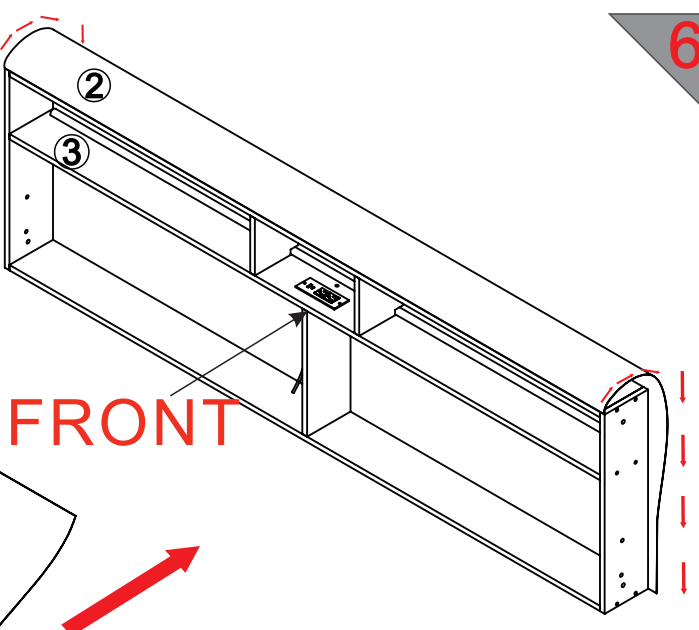
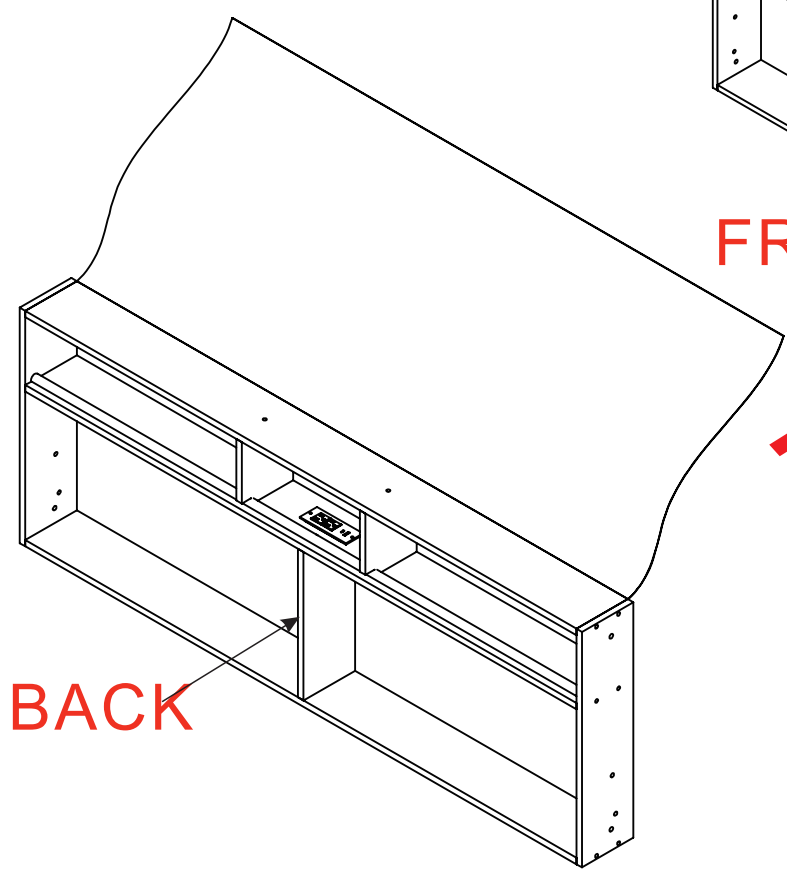
	
E 2PCS	

Velcro facing back



BACK


BACK




Please don't put the Velcro on yet

Velcro facing back

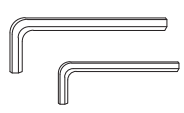
M6*18



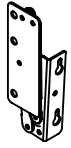
I 4pcs



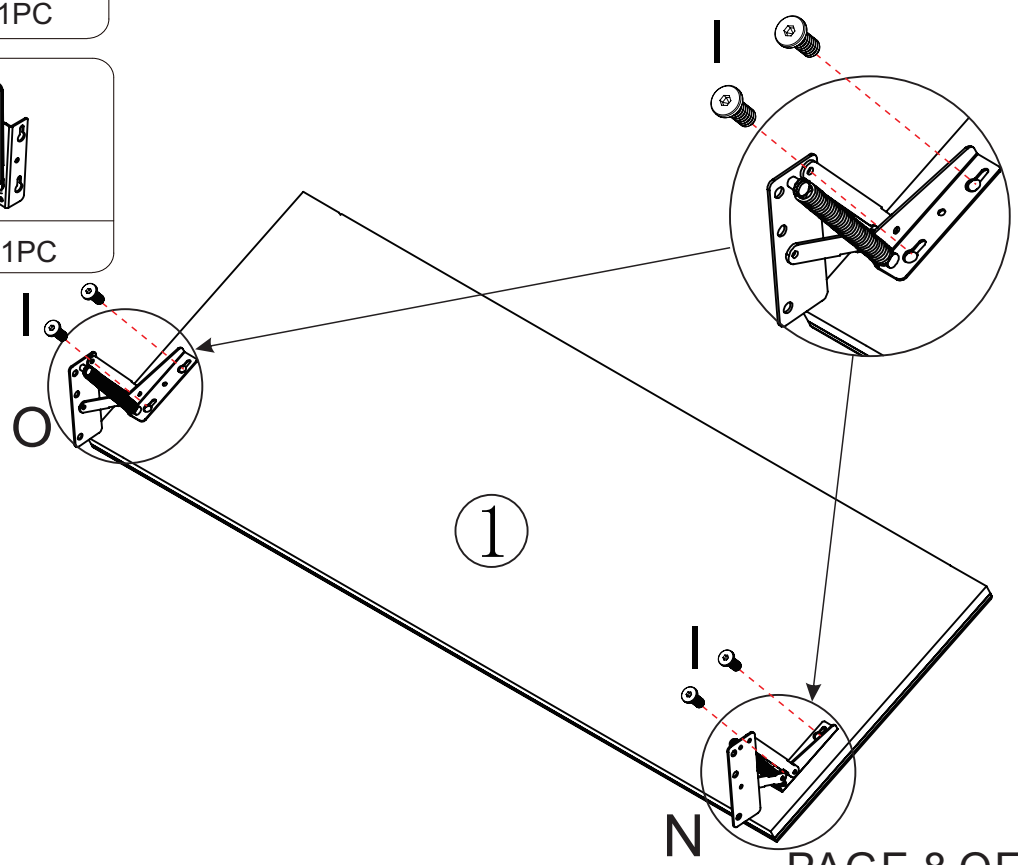
O 1PC



E 2PCS



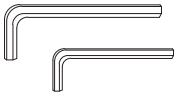
N 1PC



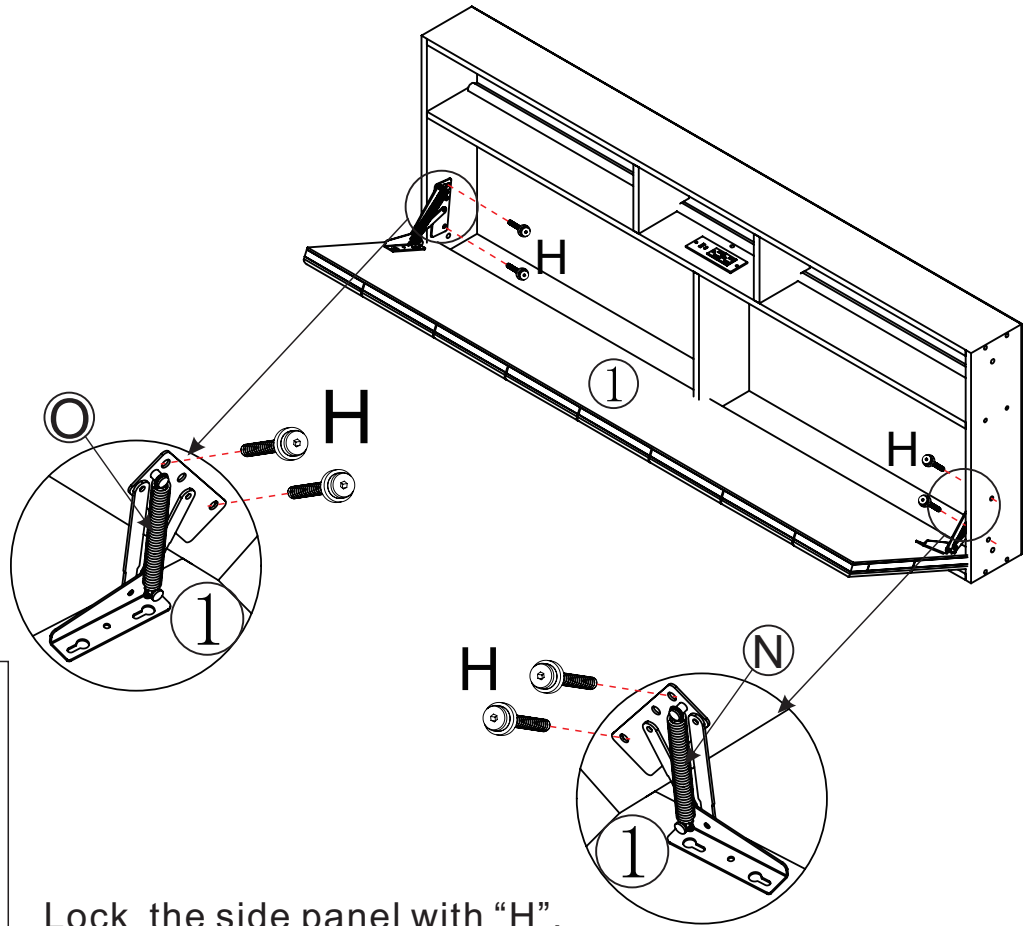
M6*12



H 4pcs

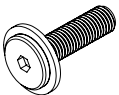


E 2PCS

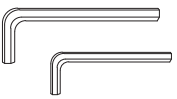


Lock the side panel with "H".

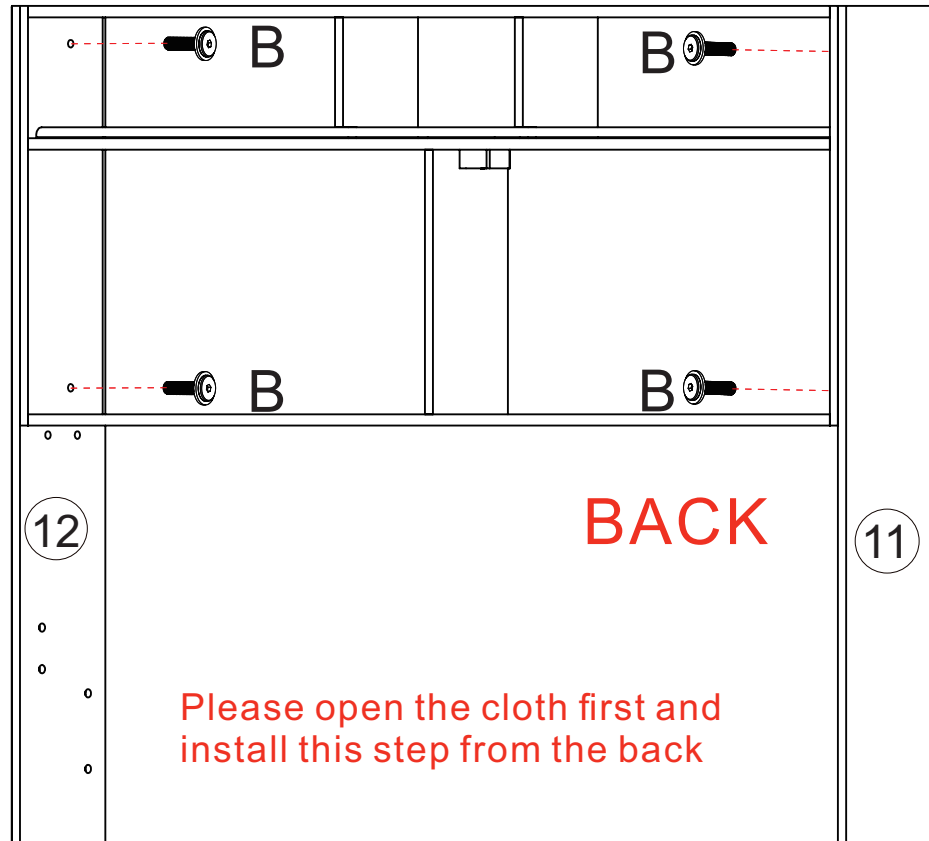
M8*25



B 4PCS



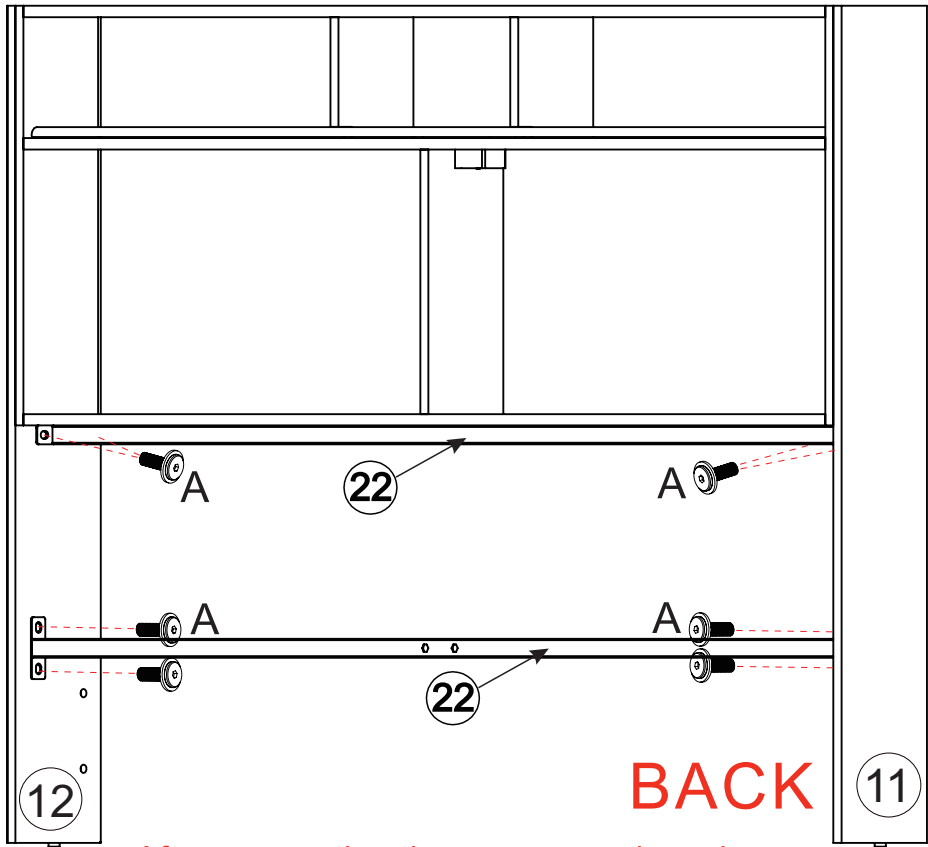
E 2PCS



Please open the cloth first and install this step from the back

M8*12
A 8PCS

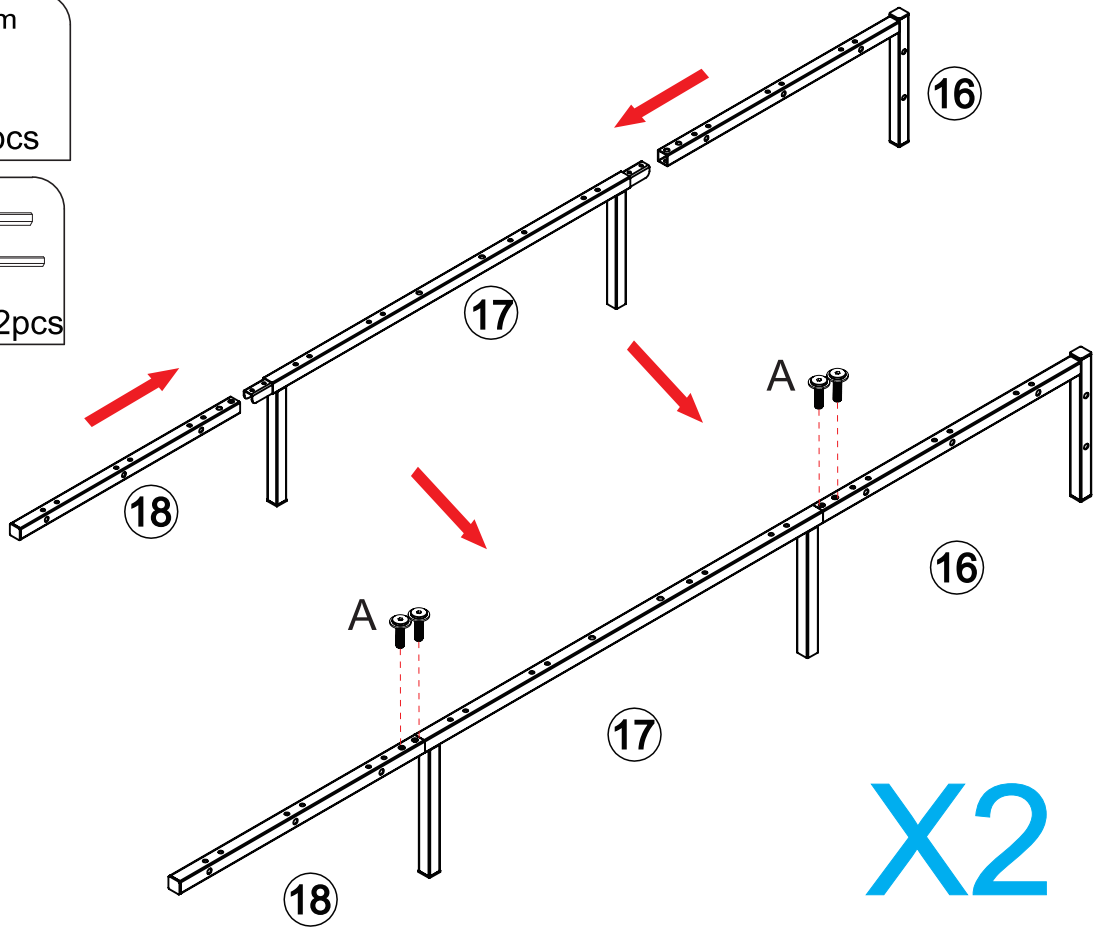
E 2PCS



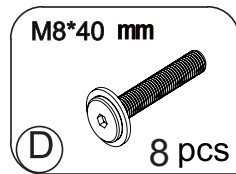
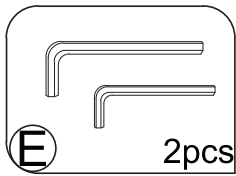
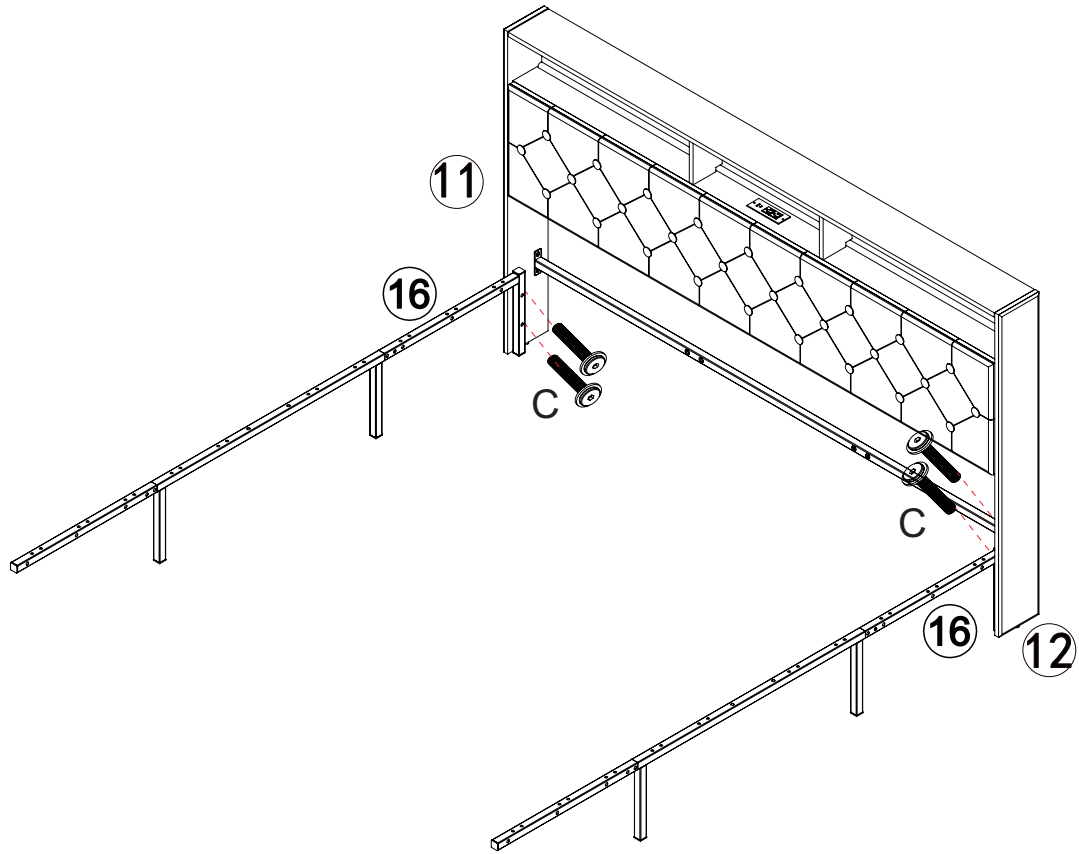
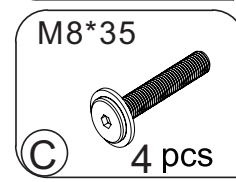
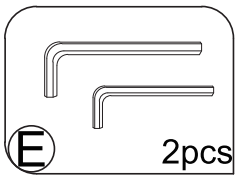
After connecting the power supply and adapter according to the wiring diagram on page 5, please cover the cloth and glue the Velcro.

M8*12mm
A 8 pcs

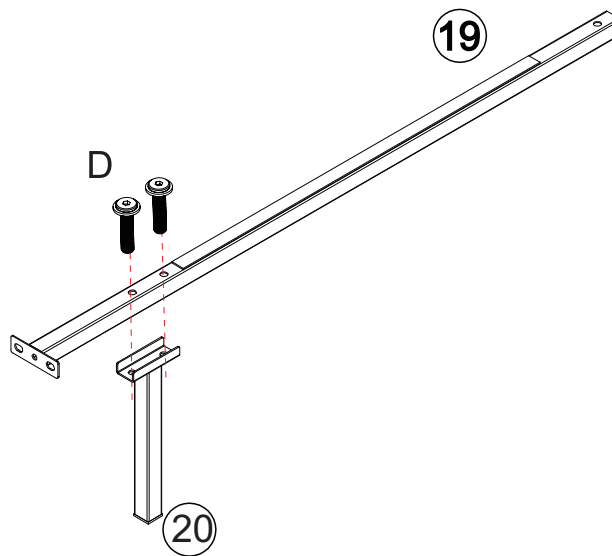
E 2pcs

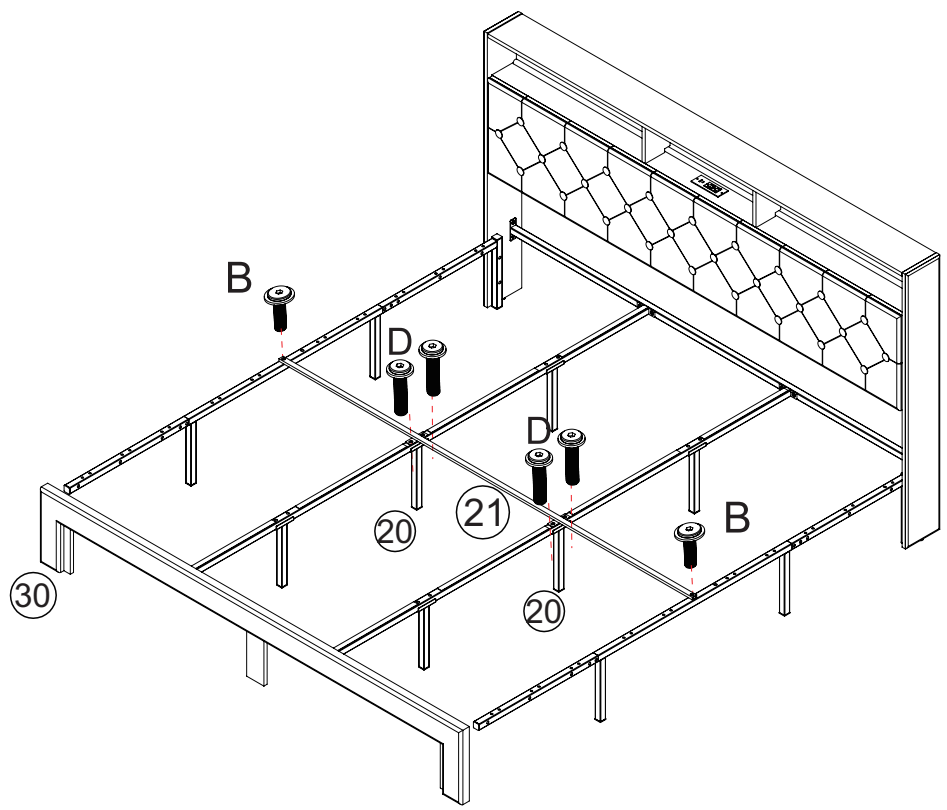
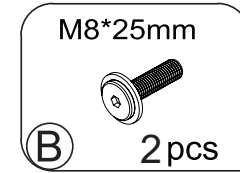
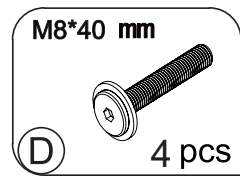
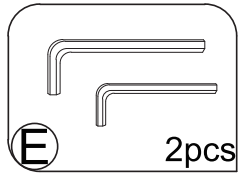
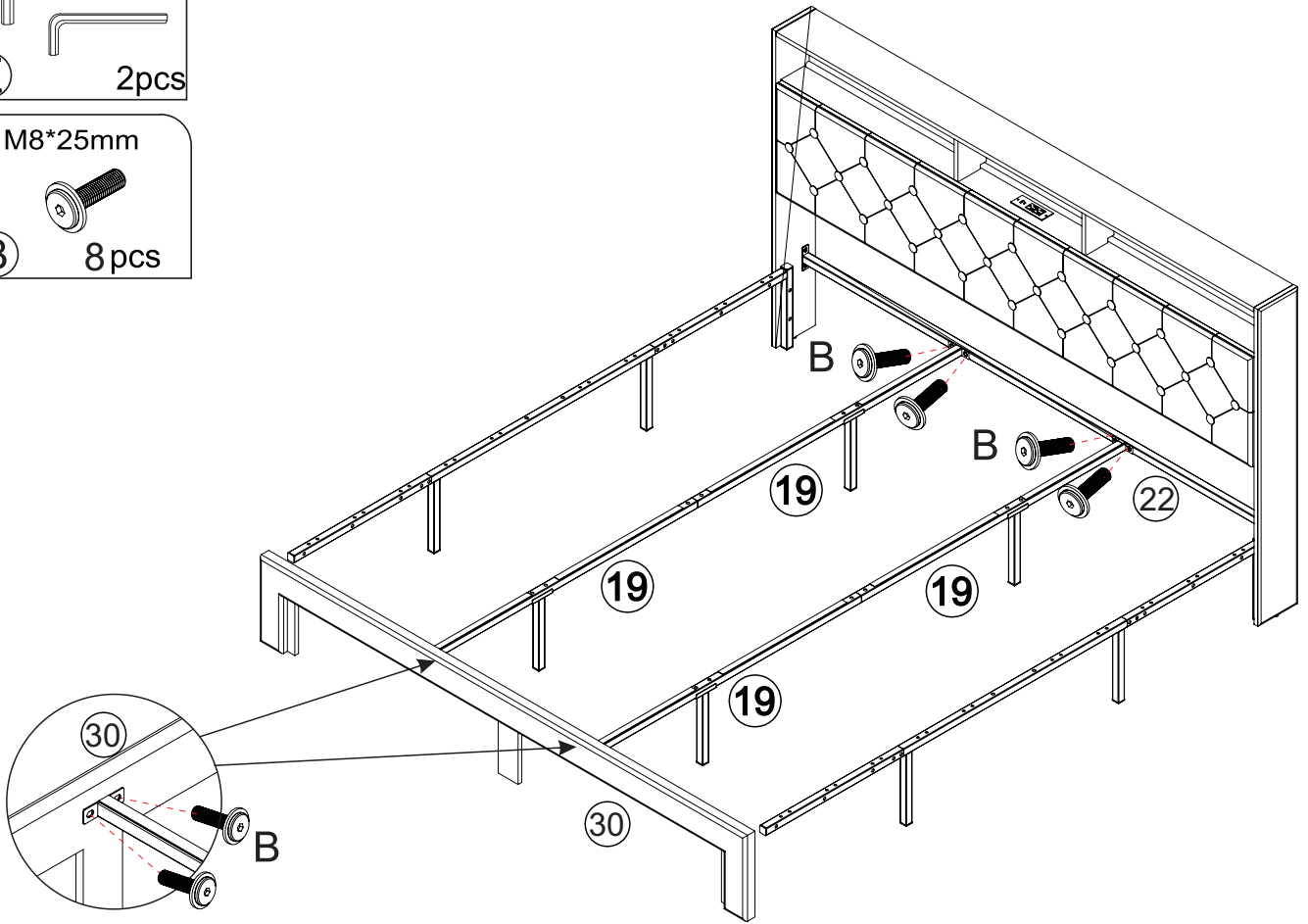
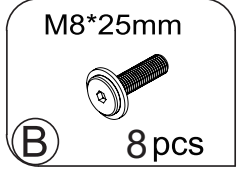
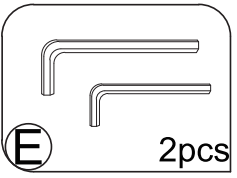


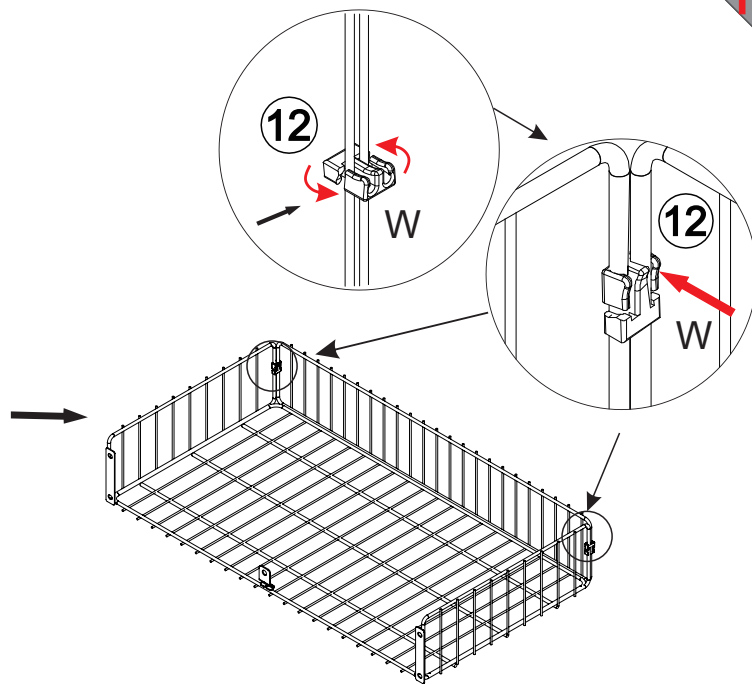
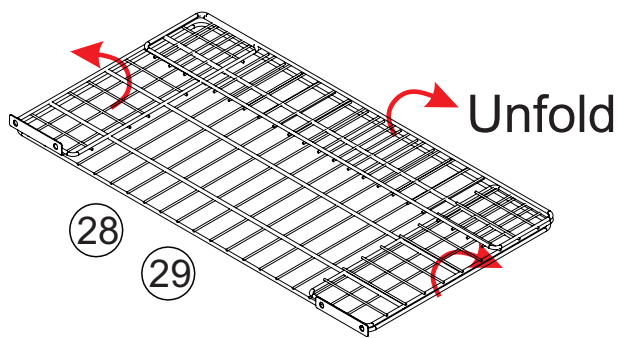
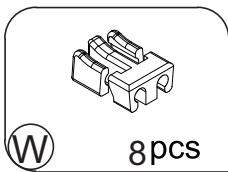
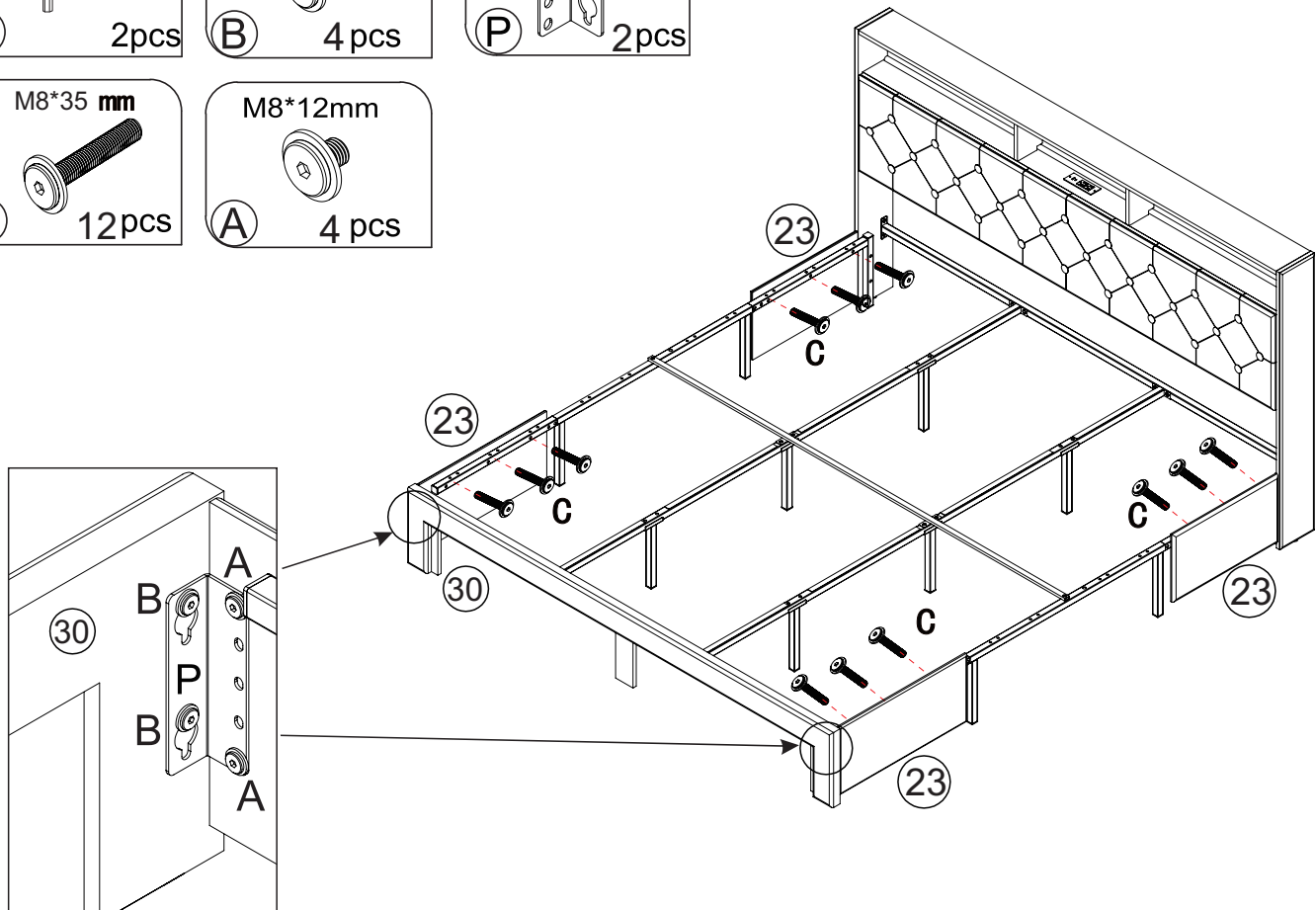
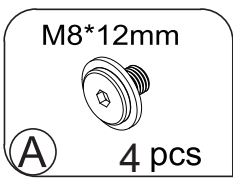
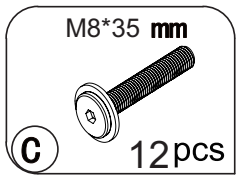
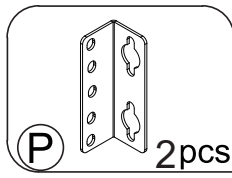
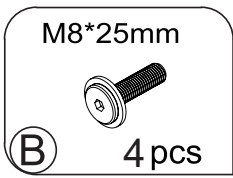
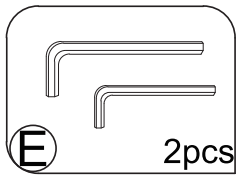
X2

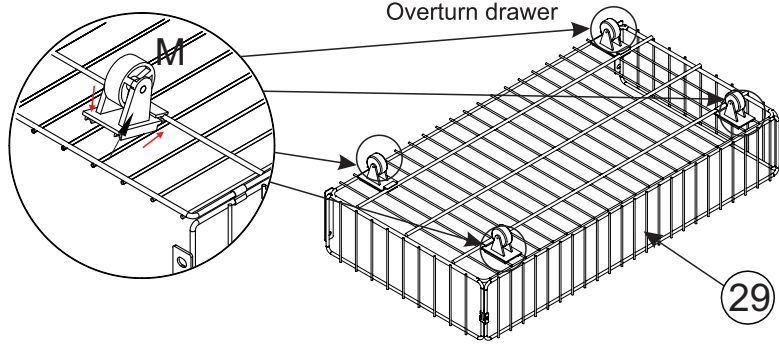
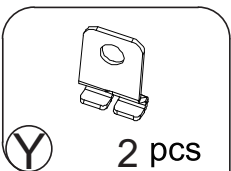
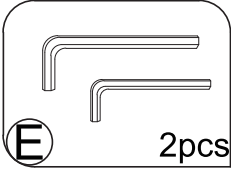
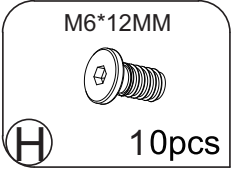


X4

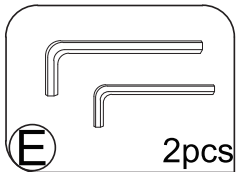
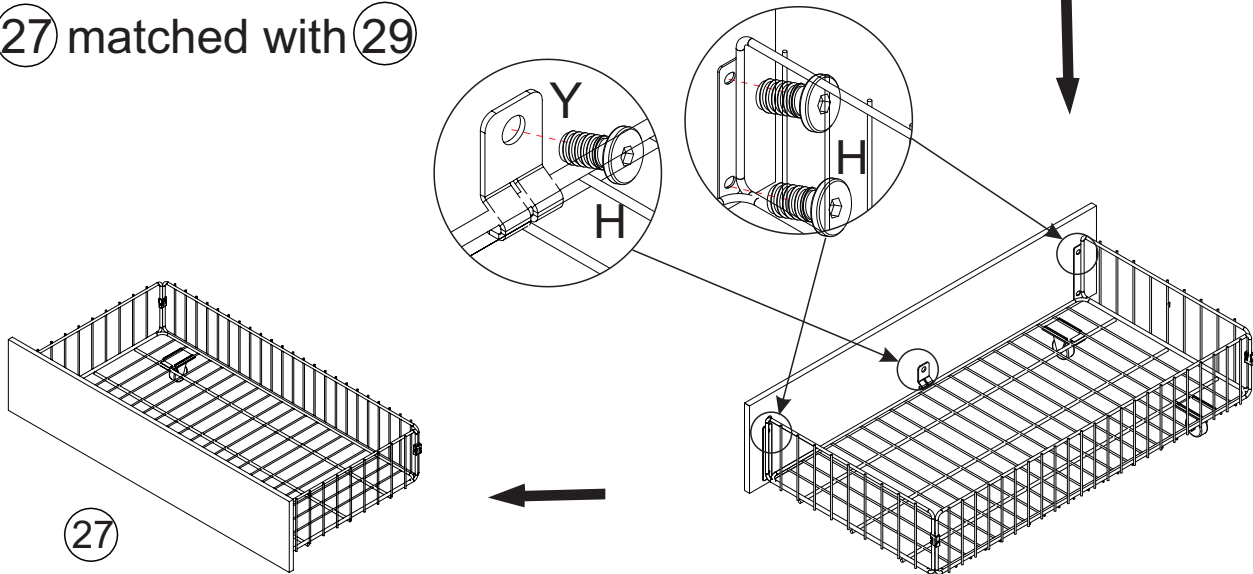






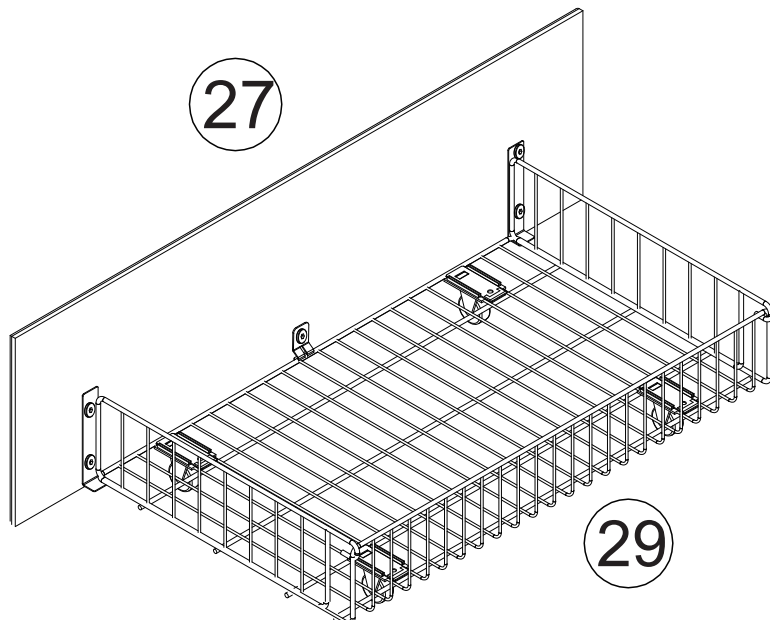


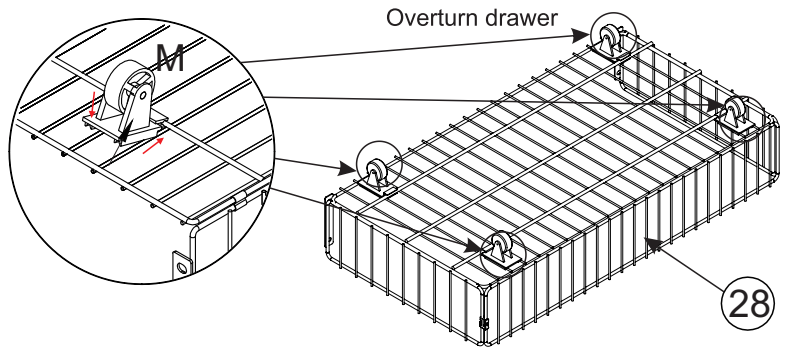
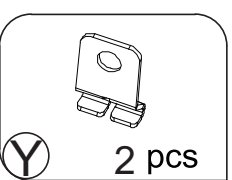
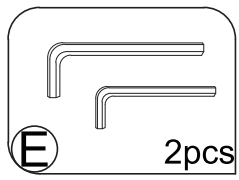
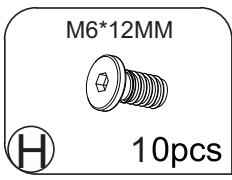
27 matched with 29



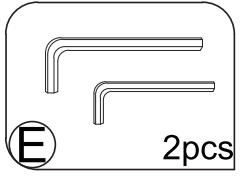
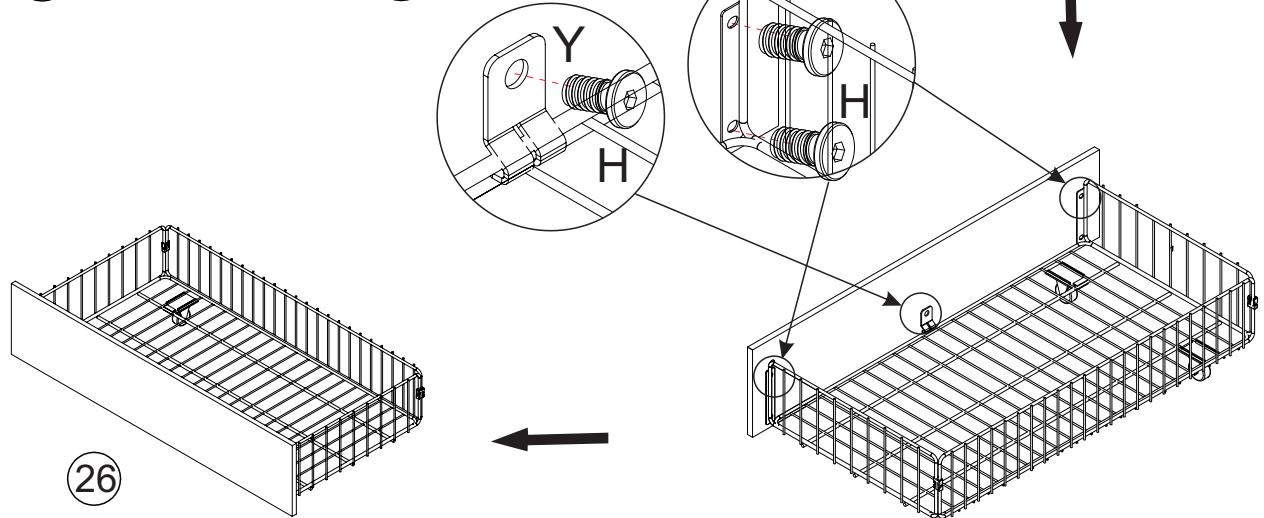
X2

SIDERAIL BRACKET





26 matched with 28



X2

FOOTBOARD BRACKET

