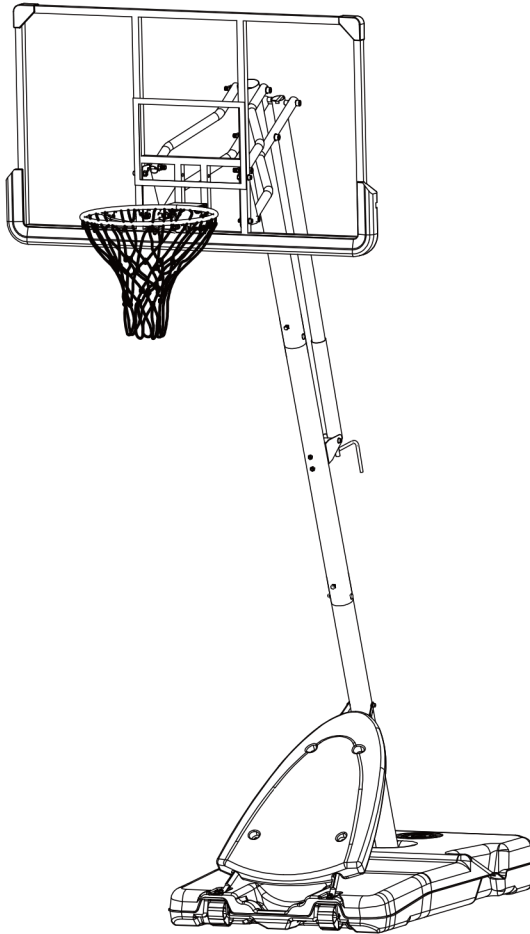
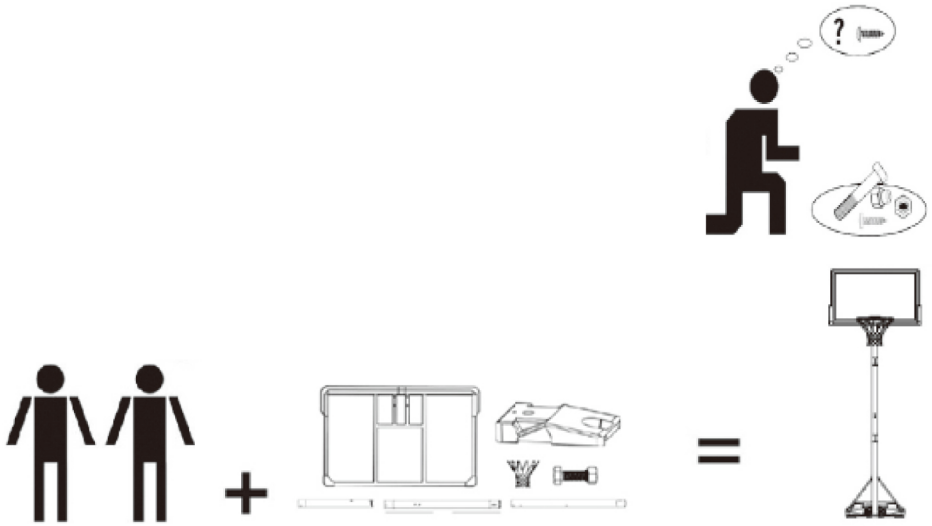


User Manual



Portable Basketball System







Warranty & Customer Support

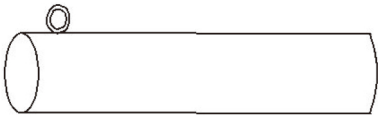



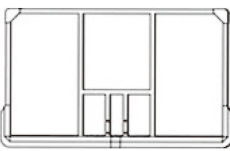

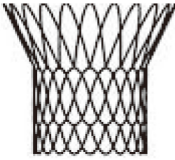
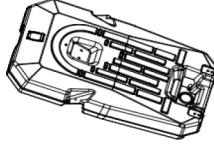
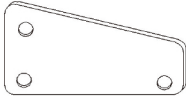
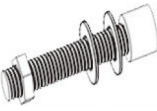


We offer 30-day full refund if there is any defective, 12-month manufacturer's warranty if there is any defect or shipping damage. If you have any problems or need any assistance, please with your product model number and Amazon order number or contact us via Amazon. Then our service team absolutely will help you solve the problems.


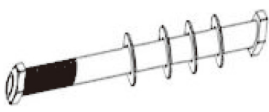
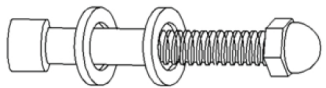
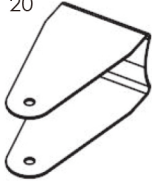



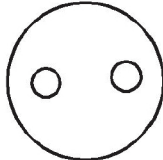
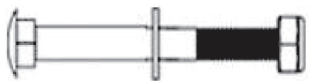

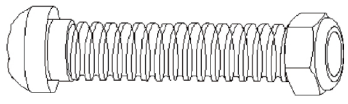
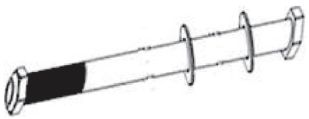
*Note: You need not buy any warranty from the third party aftersale service or register it on any website.

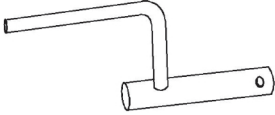
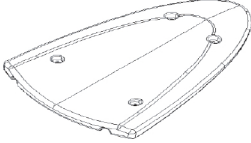
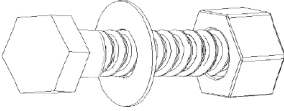


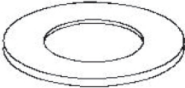


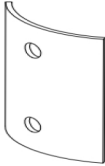
Part List

Part#, Description, Picture, Quantity








<p>1</p>  <p>Bottom Pole Φ75*1090mm QTY:1</p>	<p>2</p>  <p>Middle Pole Φ75*1090mm QTY:1</p>
<p>3</p>  <p>Top Pole Φ75*1035mm QTY:1</p>	<p>4</p>  <p>Bottom Pole Brace Φ25*905mm QTY:1</p>

<p>5</p>  <p>Lower Handle Bar QTY:1</p>	<p>6</p>  <p>Upper Handle Bar QTY:1</p>
<p>7</p>  <p>Short Backboard Connecting Tube Φ32*495mm QTY:2</p>	<p>8</p>  <p>Long Backboard Connecting Tube Φ32*695mm QTY:2</p>
<p>9</p>  <p>Backboard QTY:1</p>	<p>10</p>  <p>Rim QTY:1</p>
<p>11</p>  <p>Net QTY:1</p>	<p>12</p>  <p>Base QTY:1</p>
<p>13</p>  <p>Backboard Connecting Plate QTY:2</p>	<p>14</p>  <p>Bolt, Washer and Nut Set M8*65mm QTY:1</p>
<p>15</p>  <p>Bolt, Washer and Nut Set M10*40mm QTY:4</p>	<p>16</p>  <p>Bolt, Washer Set M8*40mm QTY:2</p>

<p>17</p>  <p>Bolt, Washer and Nut Set M8*90mm QTY:2</p>	<p>18</p>  <p>Bolt, Washer, Nut M12*160mm QTY:2</p>
<p>19</p>  <p>Bolt, Washer, Nut M8*100mm QTY:1</p>	<p>20</p>  <p>Middle Pole Mounting Plate QTY:1</p>
<p>21</p>  <p>Wheel QTY:2</p>	<p>22</p>  <p>Wheel Axle QTY:2</p>
<p>23</p>  <p>Tube Washer Φ13Φ19*14mm QTY:2</p>	<p>24</p>  <p>Round Plate Φ110*2.0mm QTY:1</p>
<p>25</p>  <p>Bolt, Washer and Nut Set M8*85mm QTY:4</p>	<p>17 26 27</p>  <p>Bolt, Washer and Nut Set QTY:2</p>
<p>30</p>  <p>Bolt, Nut 5*25mm QTY:1</p>	<p>31</p>  <p>Bolt, Washer, Nut M12*160mm QTY:1</p>

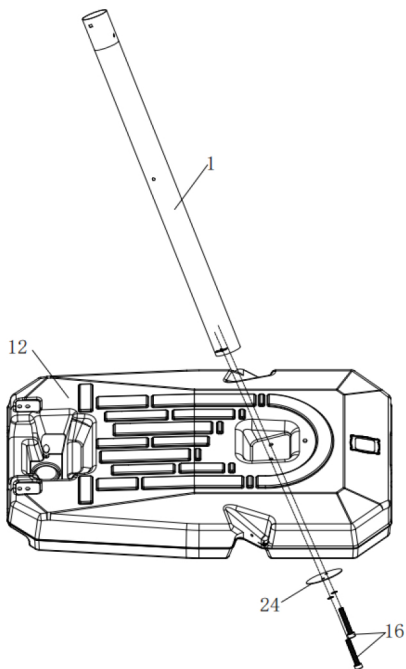
<p>32</p>  <p>Crank Handle $\phi 10*200 + \phi 16*54\text{mm}$ QTY:1</p>	<p>33</p>  <p>Cover QTY:1</p>
<p>34</p>  <p>Bolt, Washer and Nut Set M8*25mm QTY:4</p>	<p>35</p>  <p>Bolt, Washer and Nut Set M6*45mm QTY:4</p>
<p>36</p>  <p>Bolt, Washer and Nut Set M12*55mm QTY:4</p>	<p>37</p>  <p>Washer 25*12.5*1.0mm QTY:2</p>
<p>28</p>  <p>Short Spring $\Phi 12*\phi 16*18\text{mm}$ QTY: 2</p>	<p>29</p>  <p>Bolt, Washer and Screw Set M8*60mm QTY: 2</p>
<p>38</p>  <p>Plate QTY: 1</p>	

REQUIRED TOOLS

a	8*10mm Wrench		1pc	Included	d	M5 Wrench		1pc	Included
b	10*13mm Wrench		1pc	Included	e	M6 Wrench		1pc	Included
c	17*19mm Wrench		1pc	Included	f	M8 Wrench		1pc	Included
					g	M10 Wrench		1pc	Included

STEP 1

Attach Bottom Pole (#1) to Base (#12) as shown. Secure the bottom pole to the base with 2 sets of Bolts and Washers (#16) and round plate (#24) as shown.



Hardware Needed



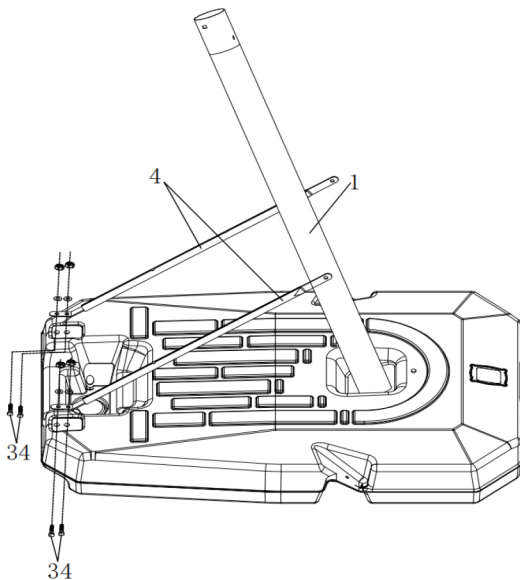
Bolt, Washer Set

M8*40mm

QTY: 2

STEP 2

Lock the Bottom Pole Braces (#4) to Base (#12) with 4 sets of Bolts, Washers, and Nuts (#34).



Hardware Needed



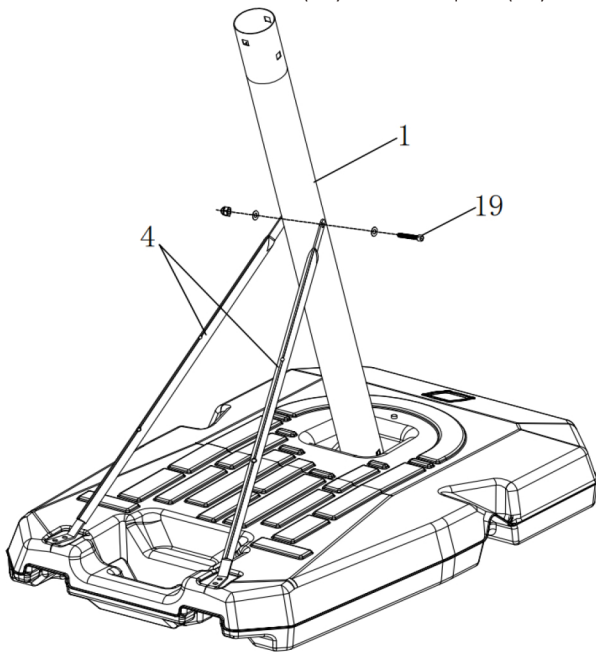
Bolt, Washer and Nut Set

M8*25mm

QTY: 4

STEP 3

Attach the Bottom Pole Braces (#4) to Bottom pole (#1) with a set of Bolt, Washer and Nut (#19).



Hardware Needed

19



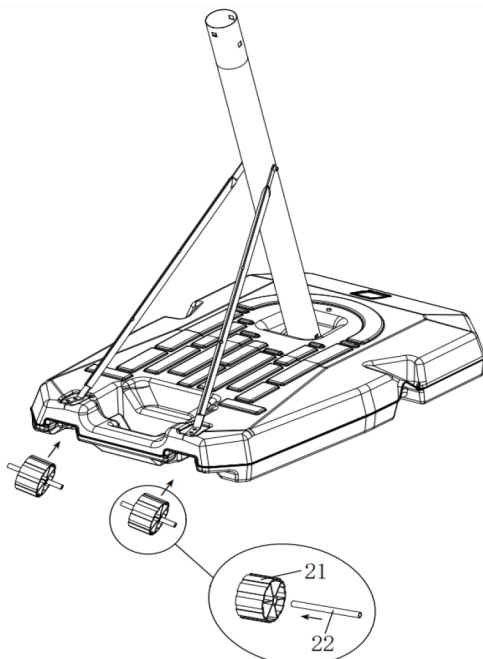
Bolt, Washer, Nut

M8*95mm

QTY:1

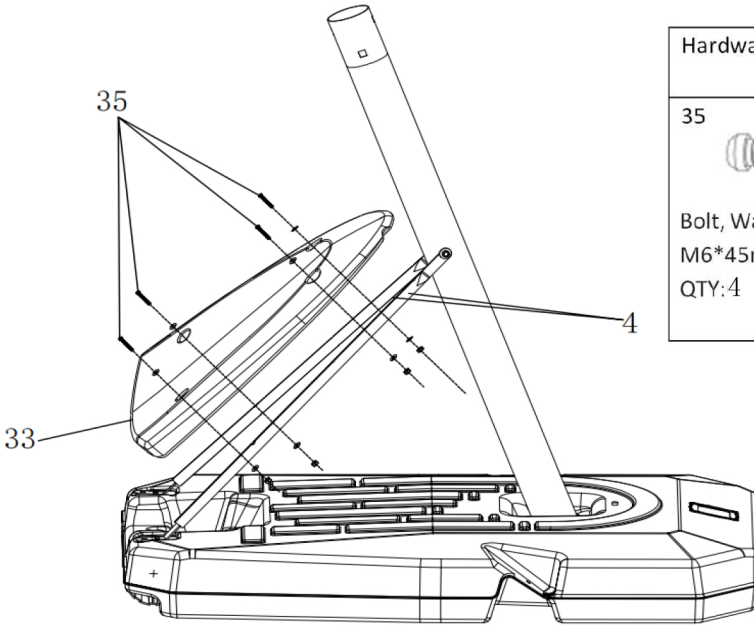
STEP 4

Insert Axles (#22) into the Wheels (#21) as shown. Then press down over the wheels to snap the Axles in place.



STEP 5

Secure Cover (#33) to Bottom Pole Braces (#4) using 6 sets of Bolts, Washers and Nuts (#35).



Hardware Needed

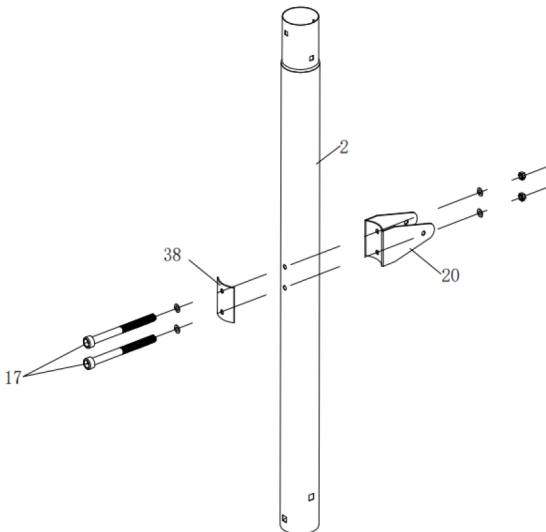
35



Bolt, Washer and Nut
M6*45mm
QTY:4

STEP 6

Secure Mounting Plate (#20) and Plate (#38) to Middle Pole (#2) with 2 sets of Bolts, Washers, and Nuts (#17).



Hardware Needed

17



Bolt, Washer and Nut

M8*90mm

QTY: 2

2



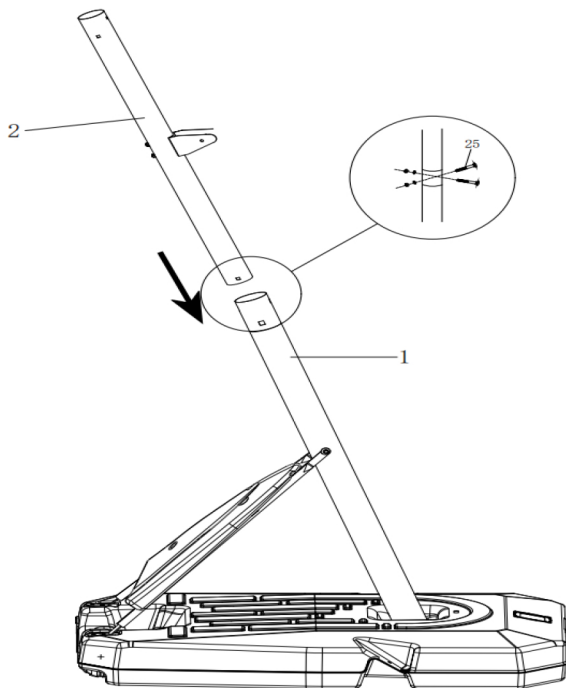
Middle Pole

Φ 75*1090mm

QTY:1

STEP 7

Secure Middle Pole (#2) to Bottom Pole (#1) with 2 sets of Bolts, Washers, and Nuts (#25).



Hardware Needed

25

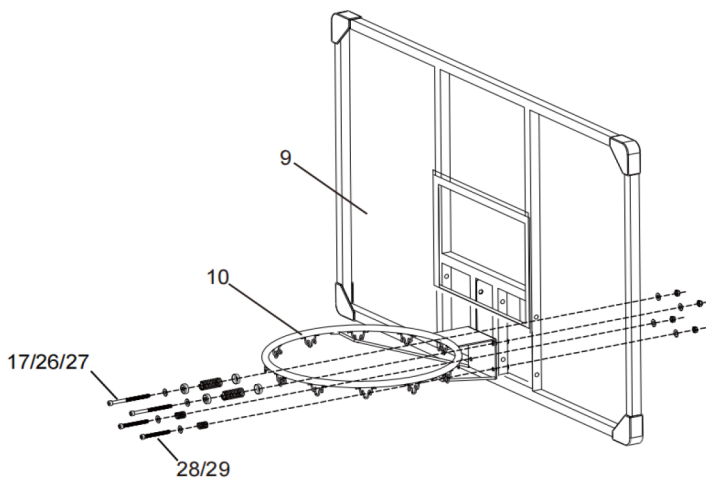


Bolt, Washer and Nut

M8*85mm

QTY: 2

STEP 8



Hardware Needed

28/29



Bolt, Washer and Screw Set

M8*60mm

QTY: 2

17/26/27



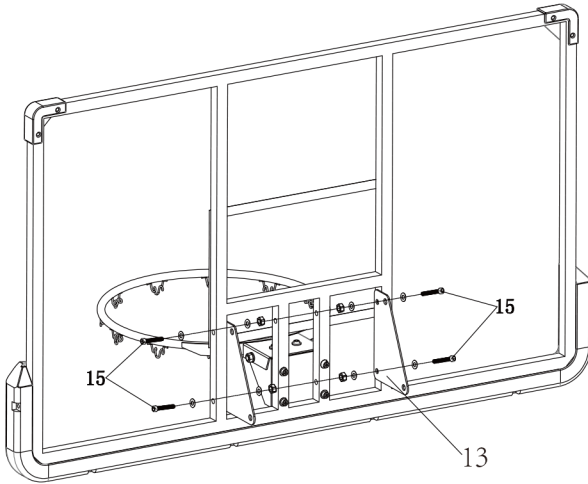
Bolt, Washer and Screw Set

M8*90mm

QTY:2

STEP 9

Secure two Backboard Connecting Plates (#13) to Backboard (#9) with 4 sets of Bolts, Washers, and Nuts (#15).



Hardware Needed

15



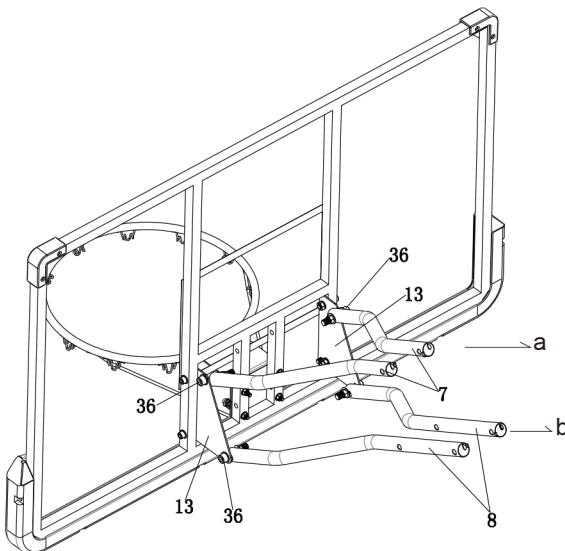
Bolt, Washer, Nut

M10*40mm

QTY: 4

STEP 10

- a. Attach two Short Connecting Tubes (#7) to Upper Parts of two Backboard Connecting Plates (#13) with 2 sets of Bolts, Washers, and Nuts (#36).
- b. Attach two Long Connecting Tubes (#8) to Lower Parts of two Backboard Connecting Plates (#13) with 2 sets of Bolts, Washers, and Nuts (#36).



Hardware Needed

36



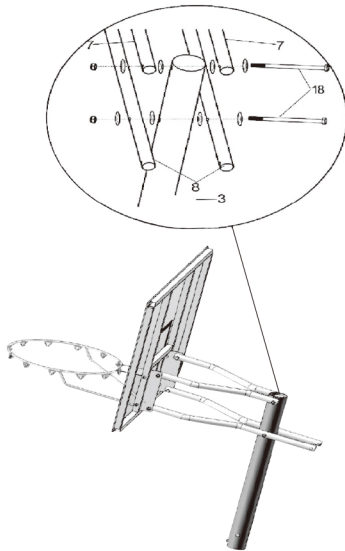
Bolt, Washer and Nut

M12*55mm

QTY: 4

STEP 11

Attach Short Connecting Tubes (#7) and Long Connecting Tubes (#8) to the Top Pole (#3) as shown. Secure them with 2 sets of Bolts, Washers, and Nuts (#18).



Hardware Needed

18



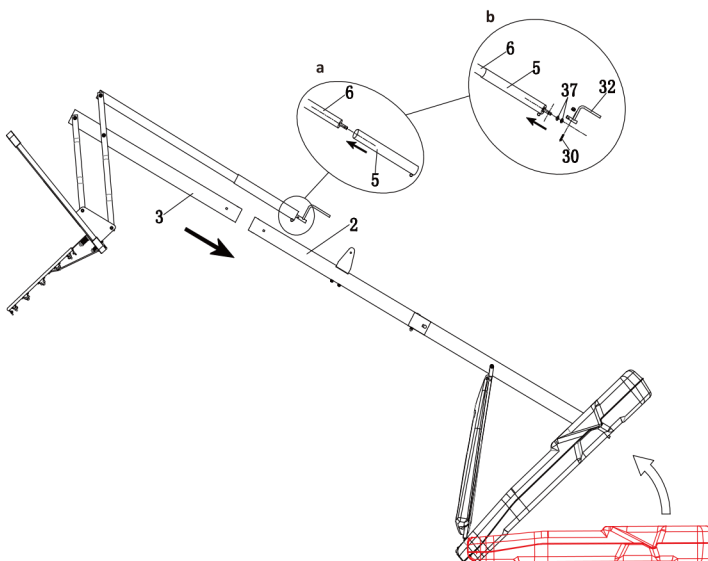
Bolt, Washer, Nut

M12*160mm

QTY: 2

STEP 12

- Screw the Lower Handle Bar (#5) to the Upper Handle Bar (#6).
- Put the 2 washers (#37) to the Lower Handle Bar (#5) first, then align the holes of the Lower Handle Bar (#5) and the rocker lever (#32) to insert the Bolt (#30) to lock them. Finally, tighten the Nut (#30).



Hardware Needed

30



Bolt, Washer, Nut

M5*25mm

QTY: 1

32



Crank Handle

φ 10* 200 + φ16*54mm

QTY: 1

37

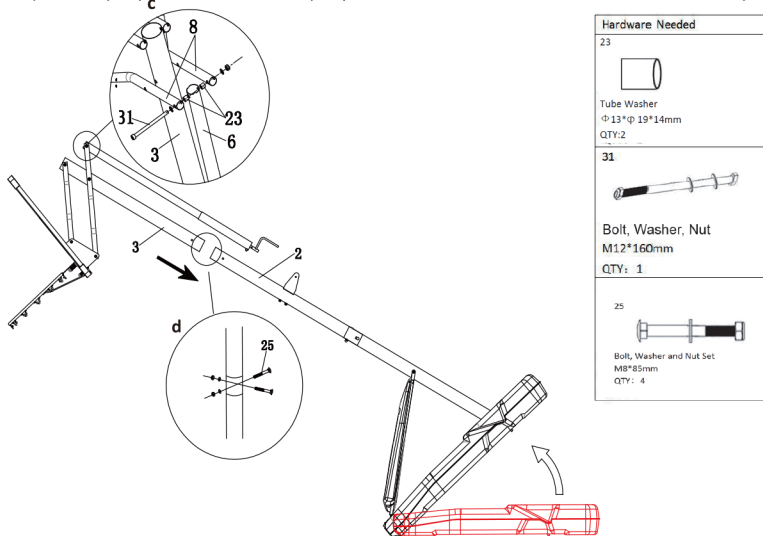


Washer

25*12.5*1.0mm

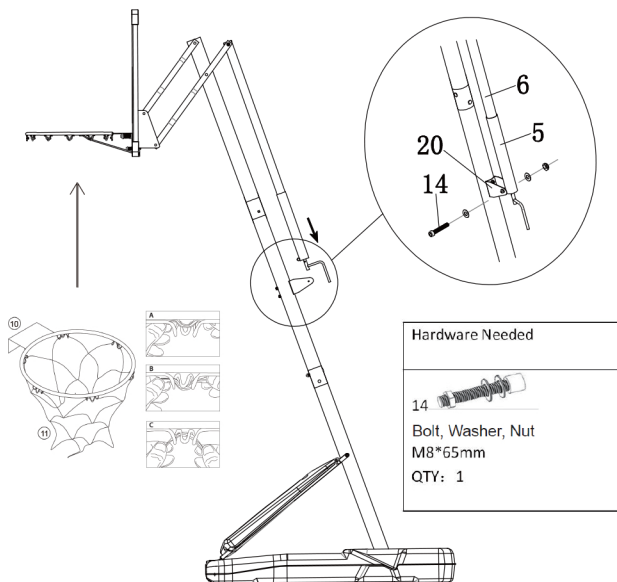
QTY: 2

- c. Insert the Bolt (#31) through a Long Connecting Tube (#8), a Tube Washer (#23), the Upper Handle Bar (#6), the other Tube Washer (#23) and the other Long Connecting Tube (#8) in order. Then tighten the nut to lock them.
- d. Secure Top Pole (#3) to Middle Pole (#2) with 2 sets of Bolts, Washers and Nuts (#25).



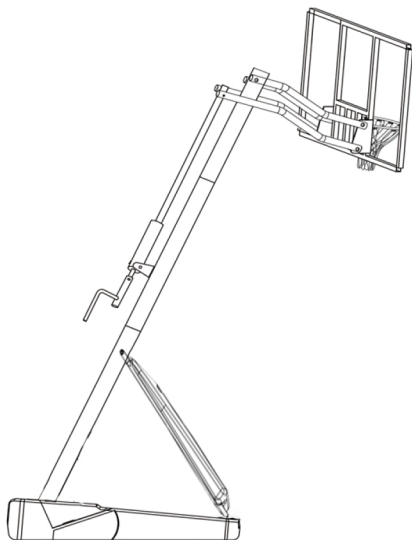
STEP 13

- a. Rotate the rocker lever (#32) to align the holes of the Lower Handle Bar (#5) and the Mounting Plate (#20). Then attach them with a set of Bolt, Washer, and Nut (#14).
- b. Attach Net (#11) to Rim (#10) as shown.



STEP 14

Please check all the bolts and nuts are all tightened after assembly. Always check the unit to ensure that the base is full of water or sand, and all fittings and hardware are tight before each use.

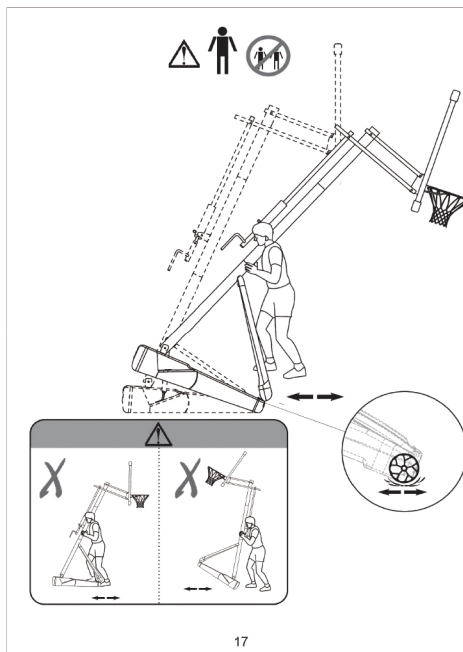


WARNING

Sand is more recommended instead of water. If a leak develops, water could run out unnoticed, allowing the system to fall over, resulting in serious personal injuries, or property damage.

STEP 15

Please move the basketball system as below shown.



STEP 16

Please follow the below pictures to rotate the Crank Handle (#32) to adjust height.

