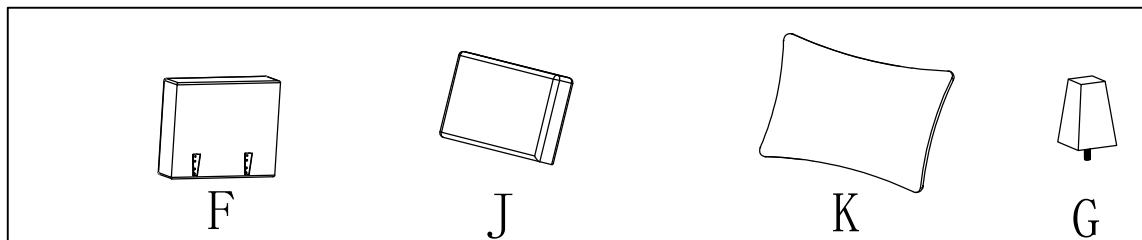
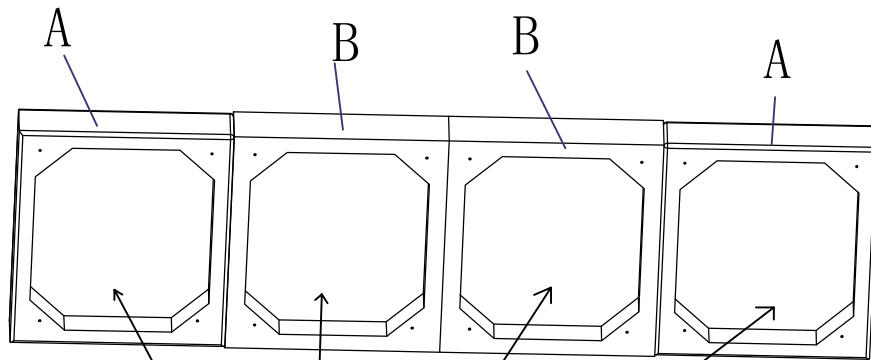
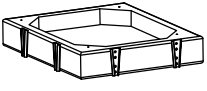
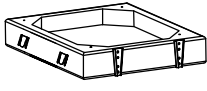
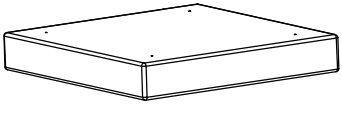
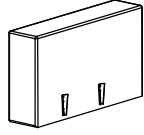
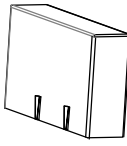
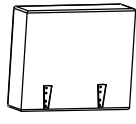

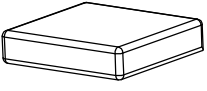
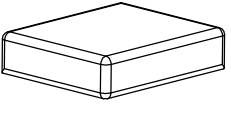
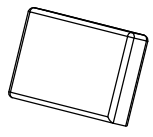
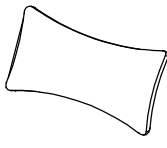




# 01 / packing list



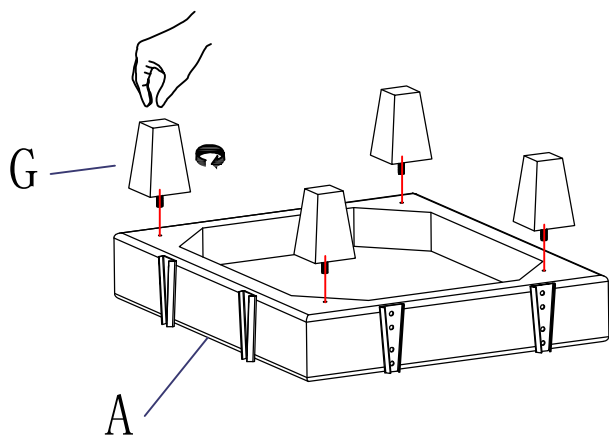
# 02 / part list

<p>A</p>  <p>2PCS</p>	<p>B</p>  <p>2PCS</p>	<p>C</p>  <p>1PCS</p>
<p>D</p>  <p>1PCS</p>	<p>E</p>  <p>1PCS</p>	<p>F</p>  <p>4PCS</p>
<p>G</p>  <p>24PCS</p>	<p>H</p>  <p>1PCS</p>	<p>I</p>  <p>4PCS</p>
<p>J</p>  <p>4PCS</p>	<p>K</p>  <p>4PCS</p>	

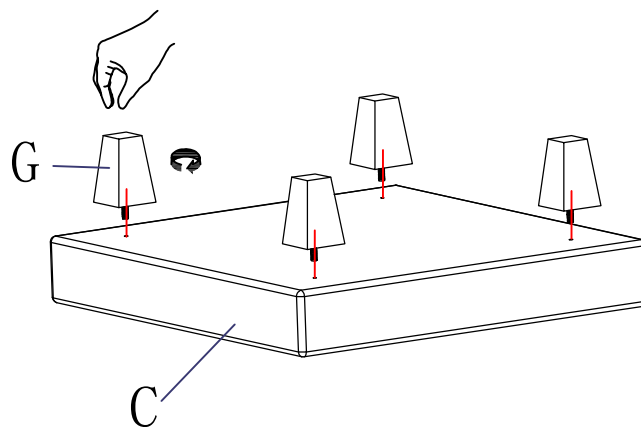
# 03 / installation steps

## Assemble the legs

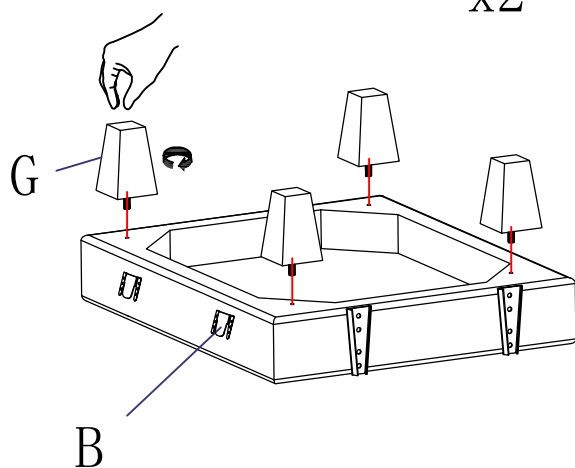
x2



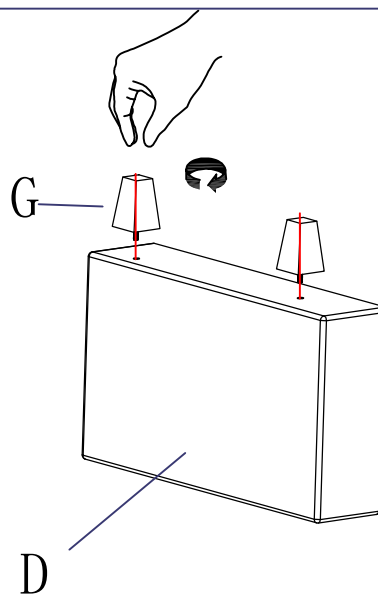
x1



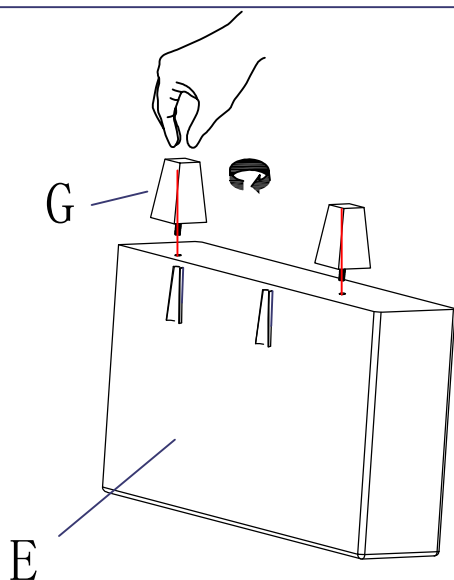
x2



x1

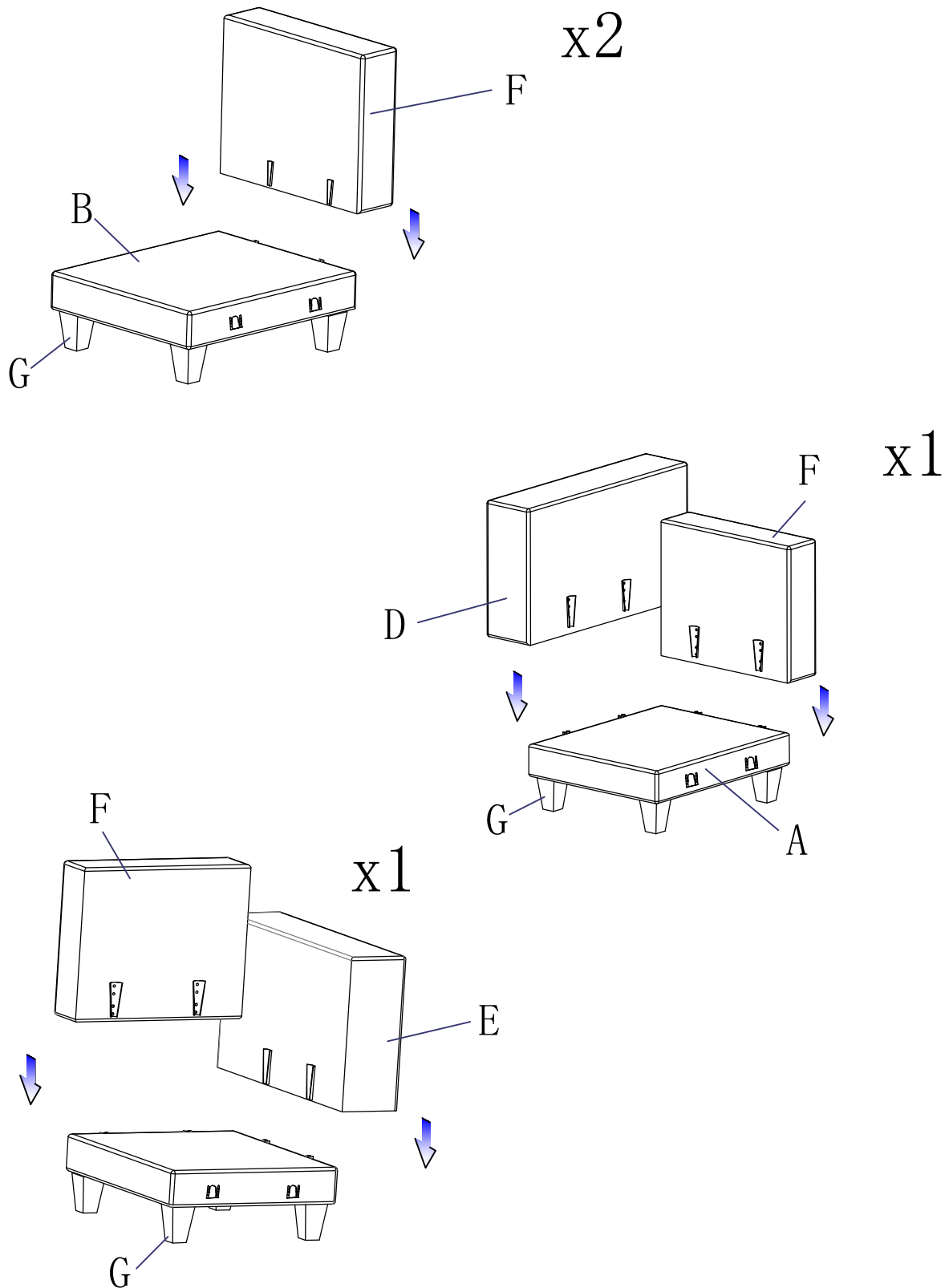


x1

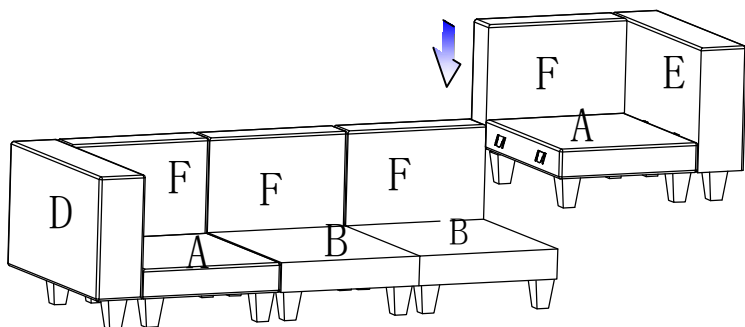
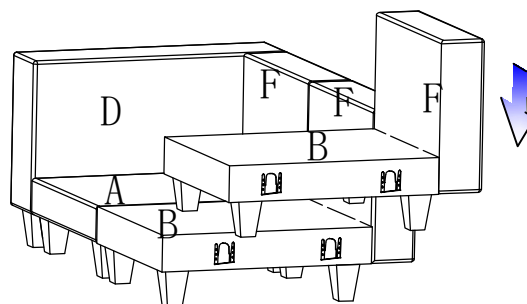
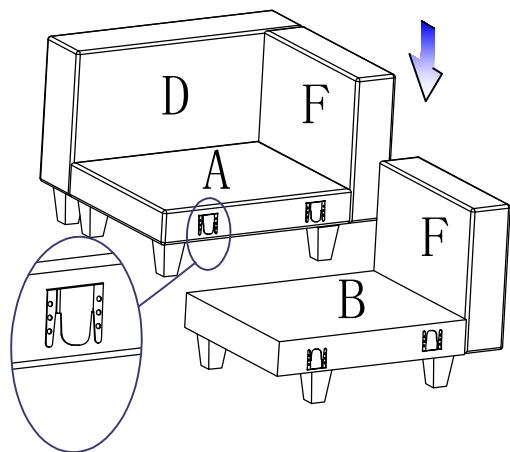


# 04 / installation steps

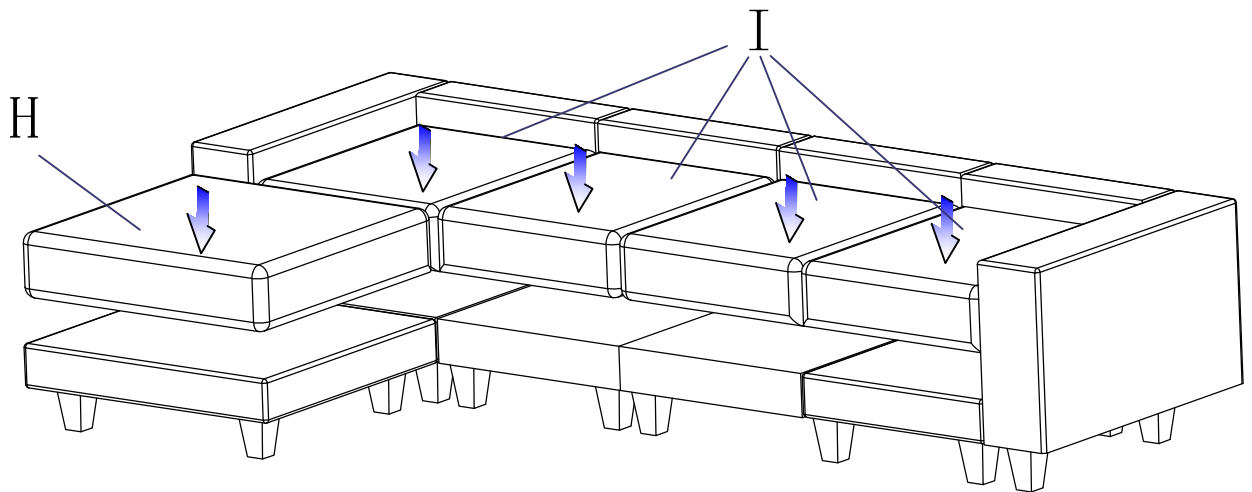
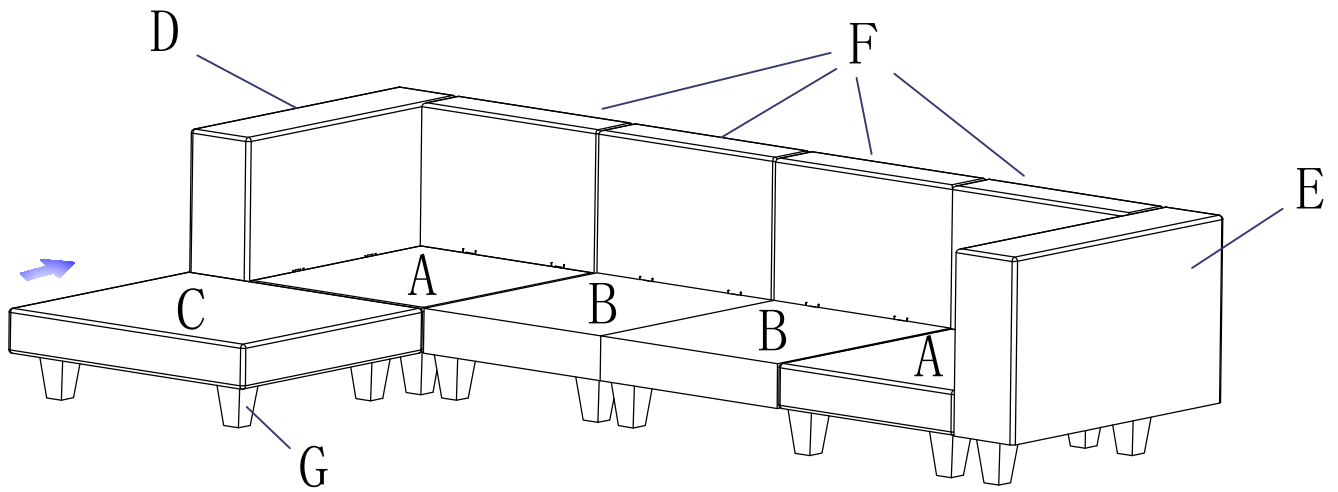
Insert the back & arms



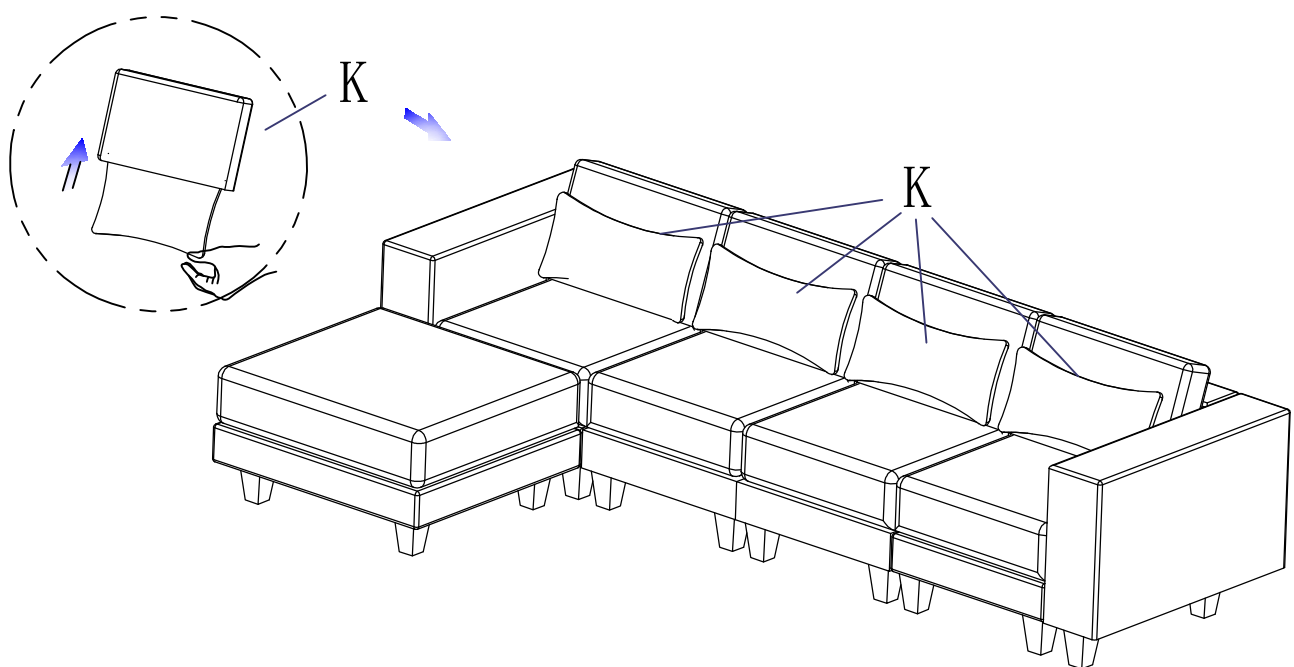
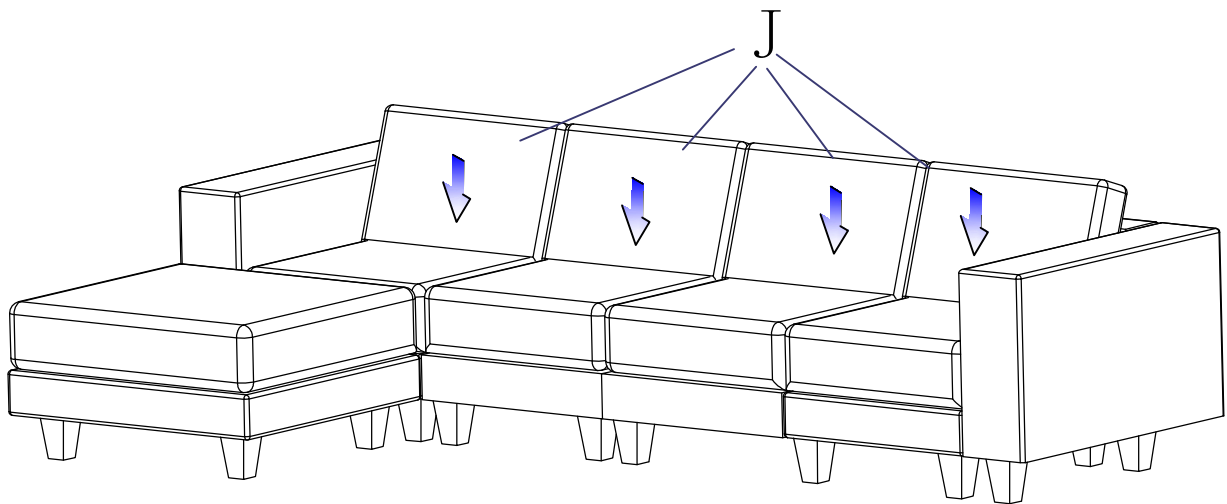
# 05 / installation steps



# 06 / installation steps

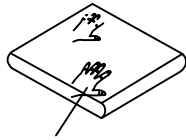


# 07 / installation steps



**TIPS:**

- 1, Please do not open the compress packaging until your sofa frame is completely assembled.**
- 2, Compress cushions or pillows need to be fully fluffed within 72 hours for your perfect use.**
- 3, Please keep children away from plastic bag or any small pieces of stuff.**
- 4, After assembly is completed, don't forget to pat the back cushions and seat cushions, make them recovering better. And wait 72 hours for fully rebound.**

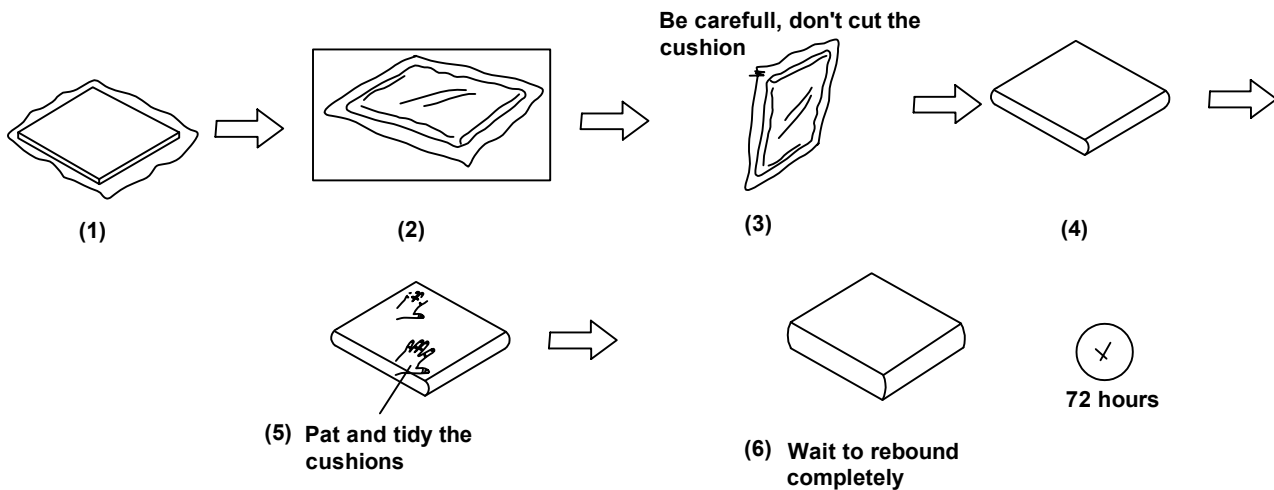


Pat and tidy the cushions

- 5, Cushions should be regularly maintained for perfect use.**

**STEPS for compressed pack:**

- (1) open the carton -- (2) take out the compressed pack -- (3) cut from edge and take out the cushion -- (4) Put the cushion on floor -- (5) Pat and tidy the cushion -- (6) Wait to rebound completely after 72 hours.**



**CAUTION:**

**PLEASE DO NOT OPEN COMPRESSED PLASTIC CUSHION BACK UNTIL YOUR SOFA FRAME IS COMPLETELY ASSEMBLED, OTHERWISE, IT CAN'T BE REPACKED IN ORIGINAL PACKING WAY TO RETURN.**