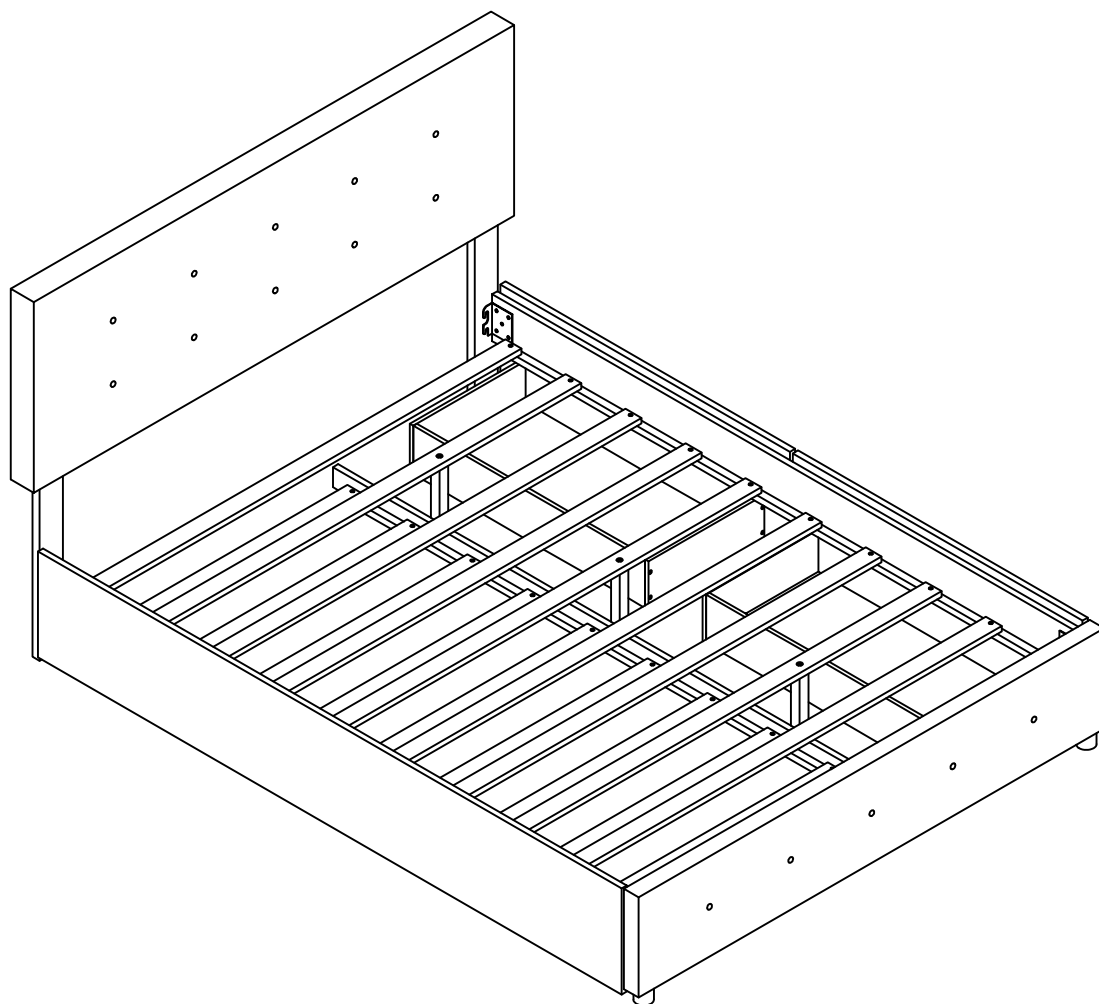


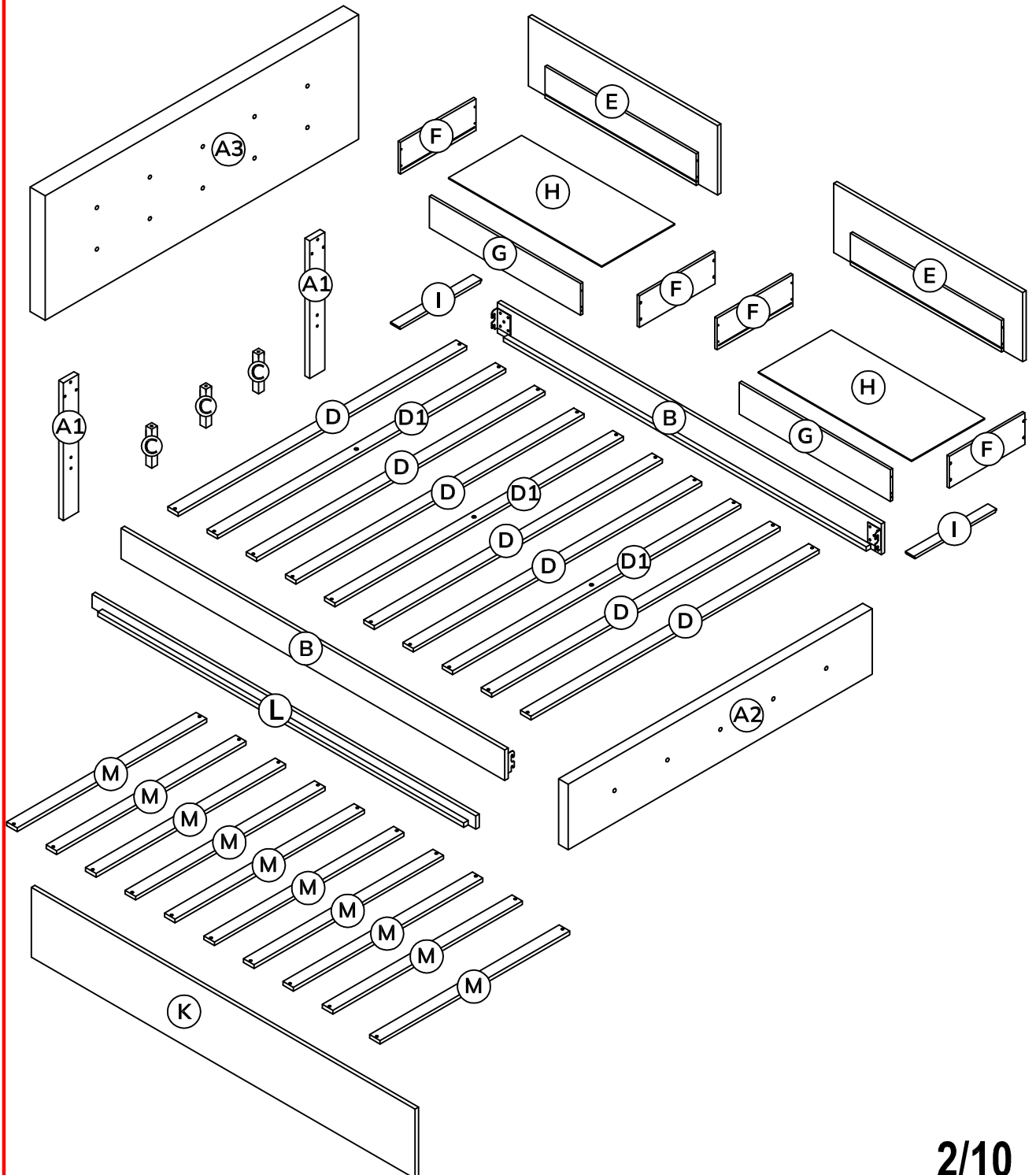
# ASSEMBLY INSTRUCTION


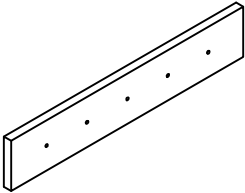
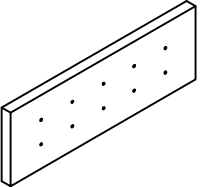

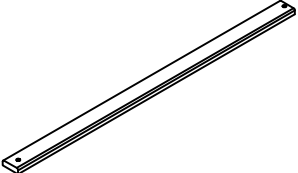
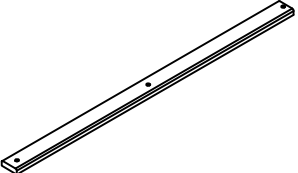
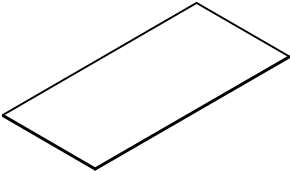


## **! SAFETY WARNINGS !**


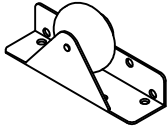



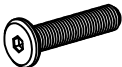


1. This bed is designed for use Queen Mattress 80 inch Long and 60 inch Wide
2. Always use the recommended size mattresses or mattress supports, or both, to help prevent the likelihood of entrapment or falls.
3. Do not allow horseplay on or under the bed and prohibit jumping on the bed
4. Do not use substitute parts. Contact the manufacturer or dealer for replacement parts.
5. Keep these instructions for future reference

# ASSEMBLY INSTRUCTION

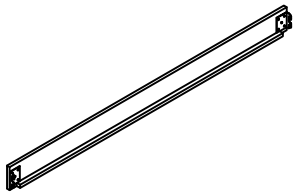


<p><b>A1</b></p>  <p>Leg (HB Font) - 2pcs</p>	<p><b>A2</b></p>  <p>FB Frames - 1pcs</p>	<p><b>A3</b></p>  <p>HB Frames - 1pcs</p>
<p><b>C</b></p>  <p>Support Leg - 3pcs</p>	<p><b>D</b></p>  <p>Slats - 7pcs</p>	<p><b>D1</b></p>  <p>Slats Mount Leg- 3pcs</p>
<p><b>H</b></p>  <p>Drawers - Bottom Panel - 2pcs</p>		

## Hardware List (WF297126)

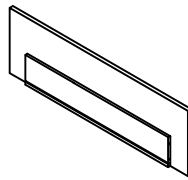
<p><b>1</b></p>  <p>Plastic Feet (50x40) 2pcs</p>	<p><b>2</b></p>  <p>Wheels 12pcs</p>	<p><b>3</b></p>  <p>M4 x 15 mm Wood Screws 40pcs</p>
<p><b>4</b></p>  <p>M4 x 30 mm Wood Screws 56pcs</p>	<p><b>5</b></p>  <p>1/4" x 25 mm Hex-Head bolts 11pcs</p>	<p><b>6</b></p>  <p>1/4" x 40 mm Hex-Head bolts 6pcs</p>
<p><b>7</b></p>  <p>Allen Key 1pcs</p>	<p><b>8</b></p>  <p>Steel Bracket 3pcs</p>	

**B**



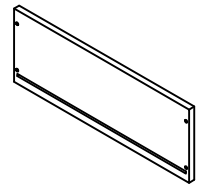
**Side Rails - 2pcs**

**E**



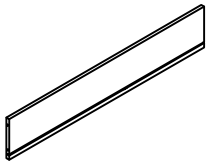
**Drawers - Front Panels - 2pcs**

**F**



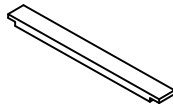
**Drawers - Side Panels - 4pcs**

**G**



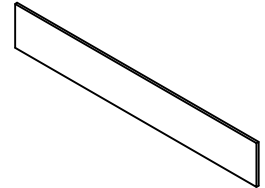
**Drawers - Back Panel - 2pcs**

**I**



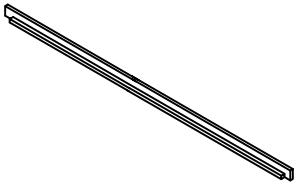
**Drawers - Support Bottom - 2pcs**

**K**



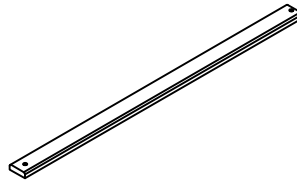
**Front Trundle Panel - 1pcs**

**L**

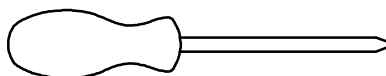


**Back Trundle panel - 1pcs**

**M**

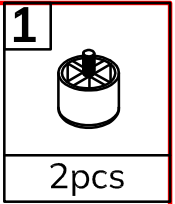
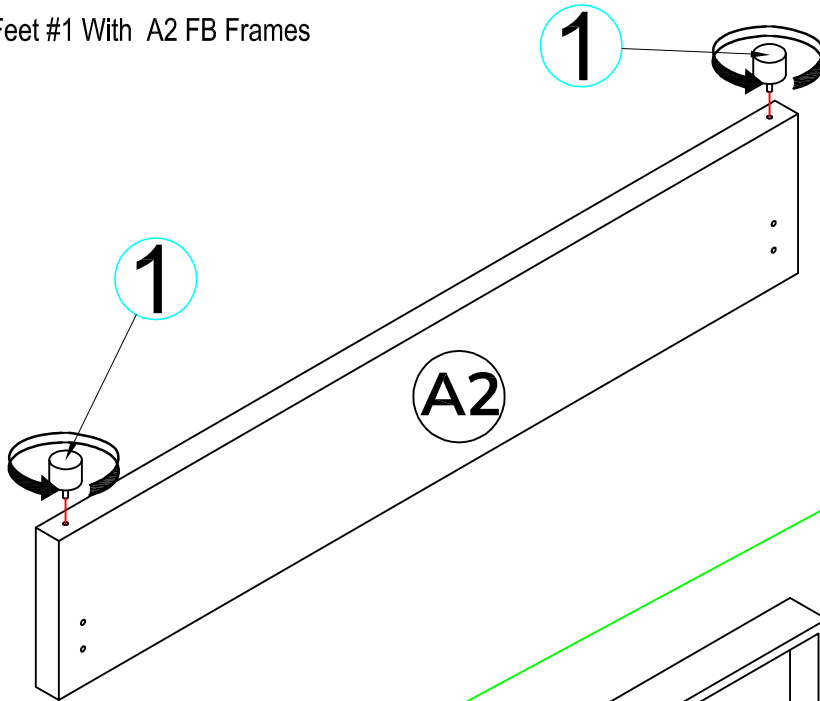


**Slats - 10pcs**

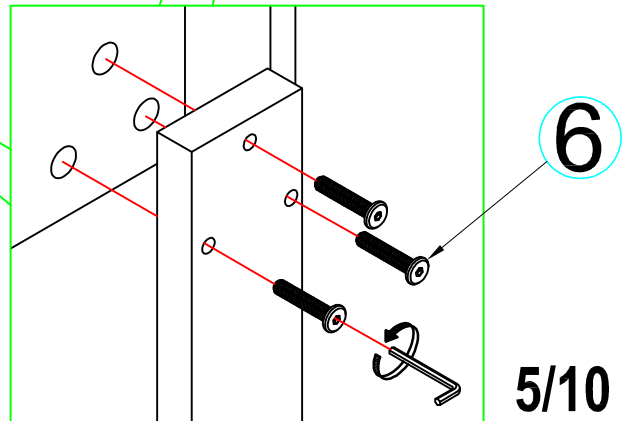
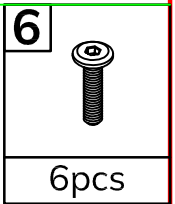
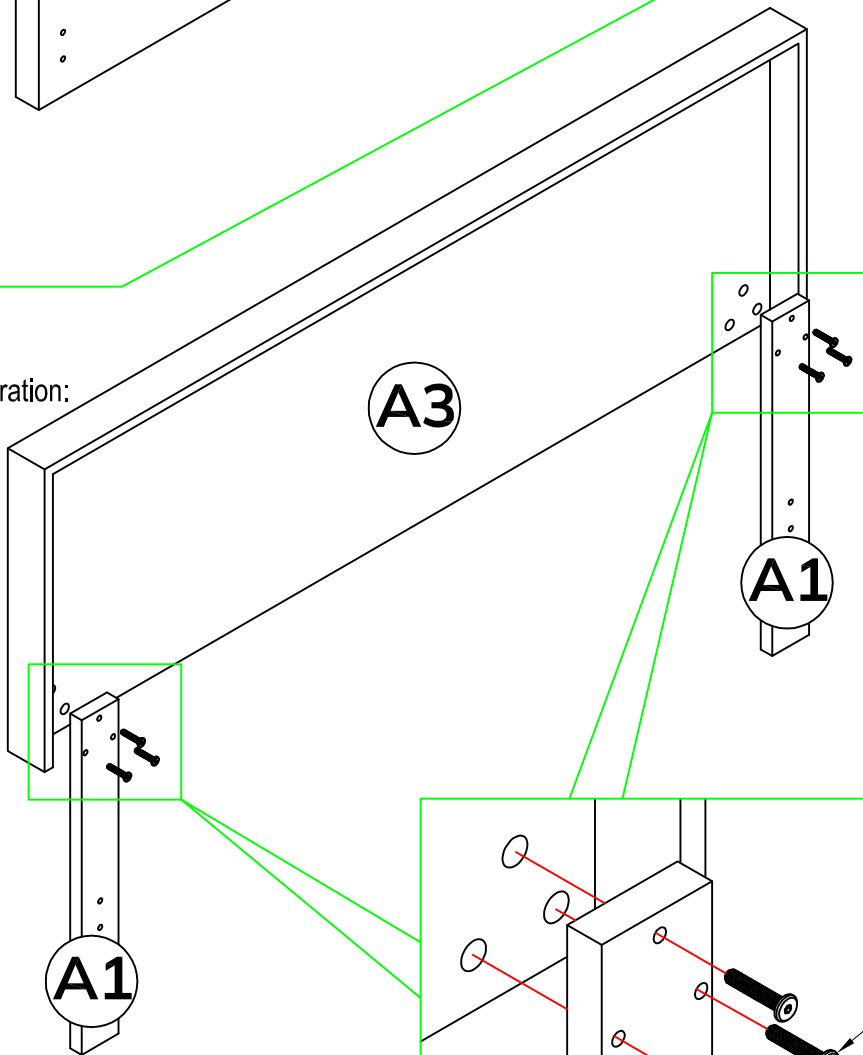


**Assembly Tools Required (Not Included)**


**STEP 1-1:** Following below illustration:  
Assembly Plastic Feet #1 With A2 FB Frames

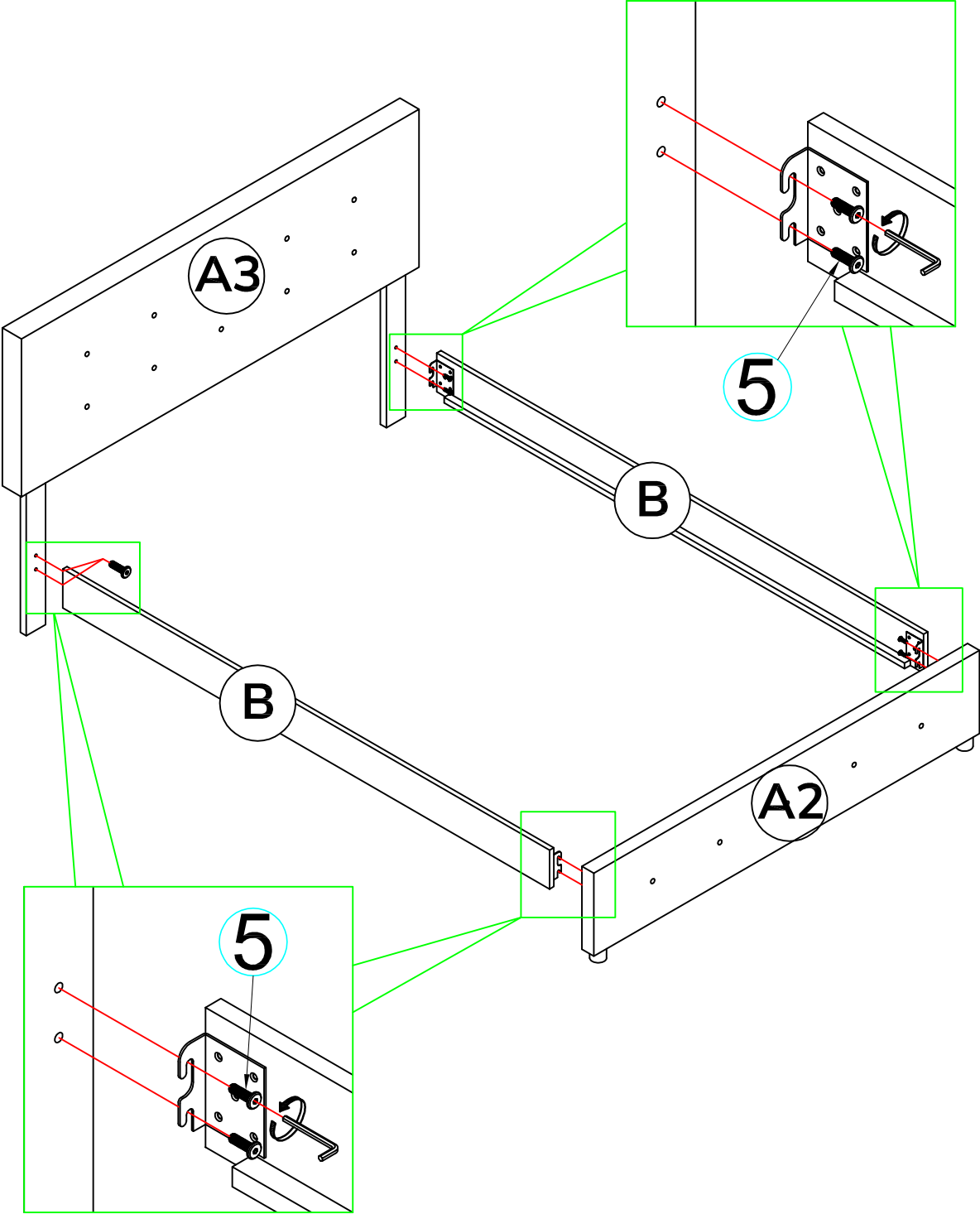


**STEP 1-2:**  
Following below illustration:

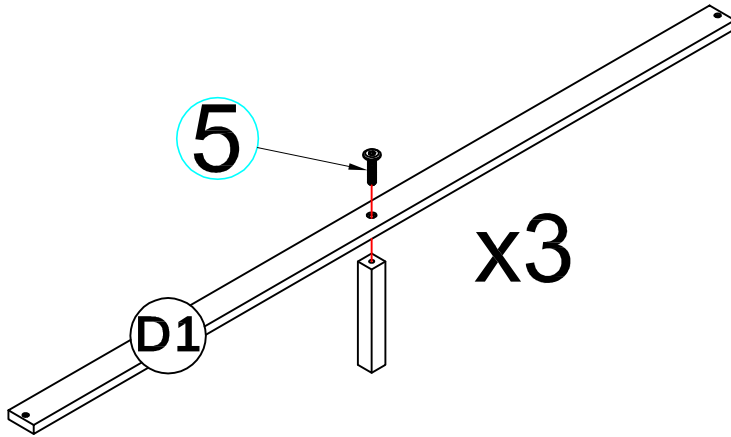
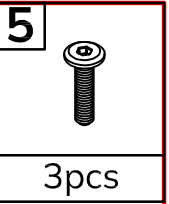


**STEP 2:** Following below illustration:

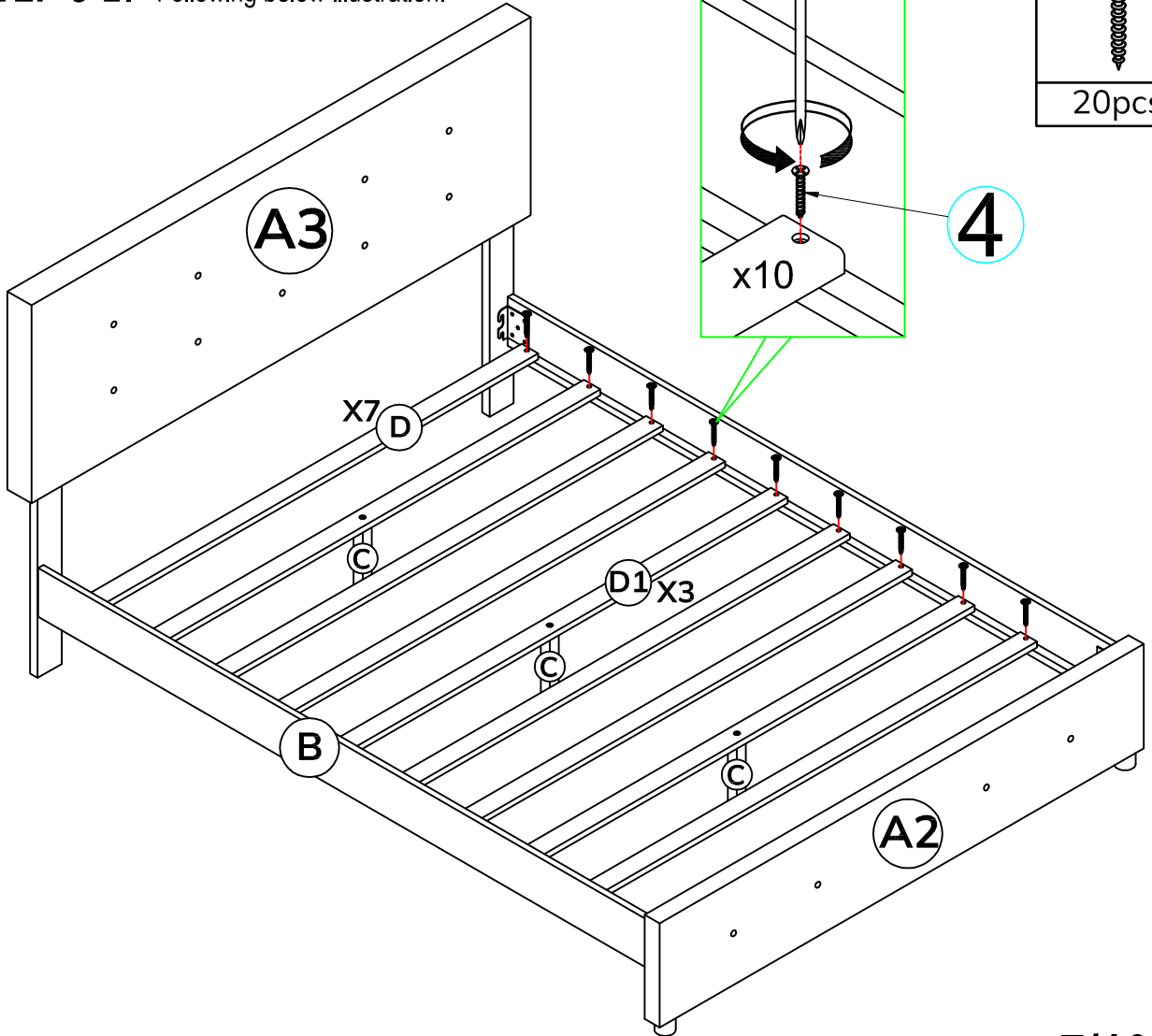
<b>5</b>	
8pcs	




**STEP 3-1:** Following below illustration:

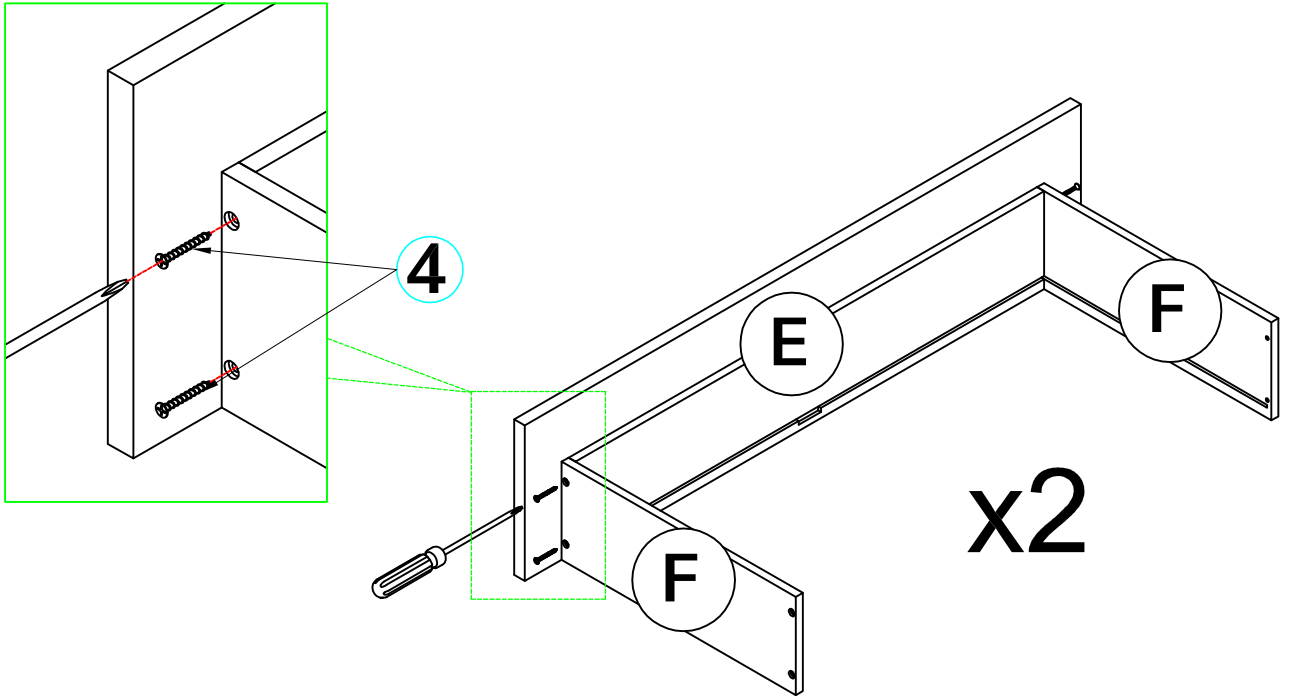


**STEP 3-2:** Following below illustration:

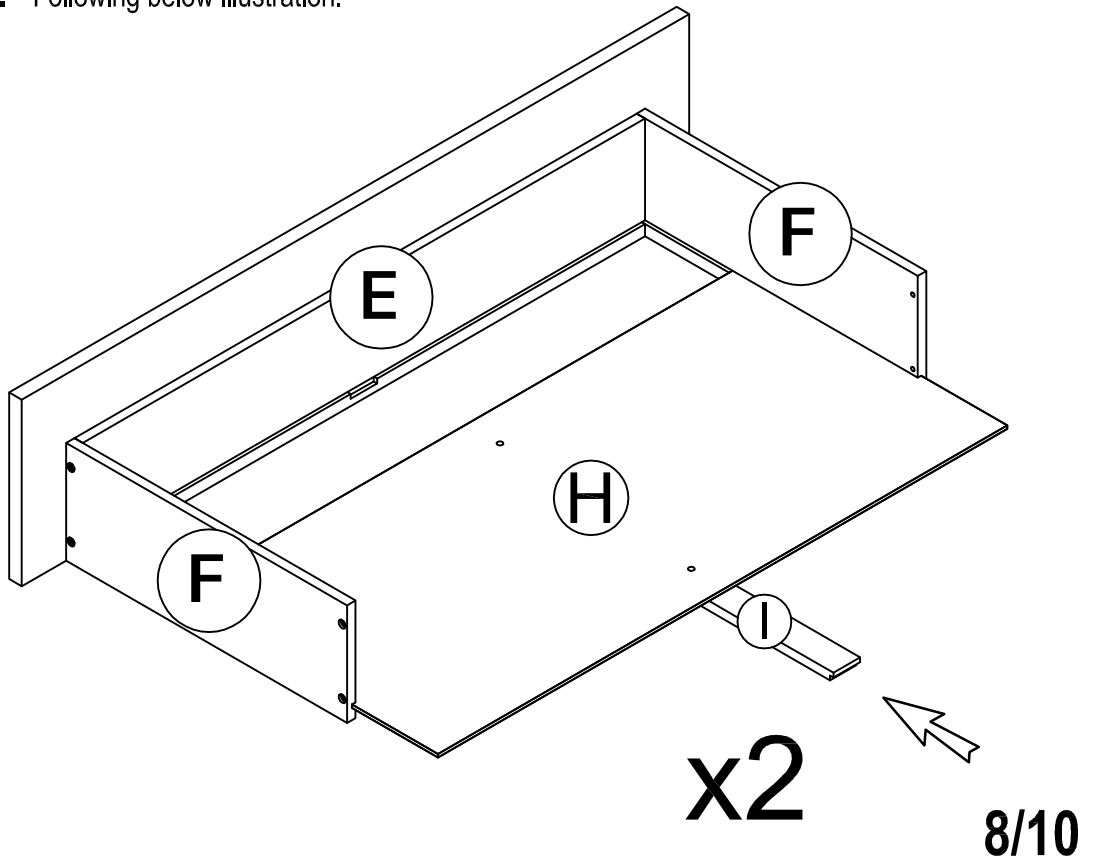


**STEP 4-1:** Following below illustration:

<b>4</b>	
8pcs	



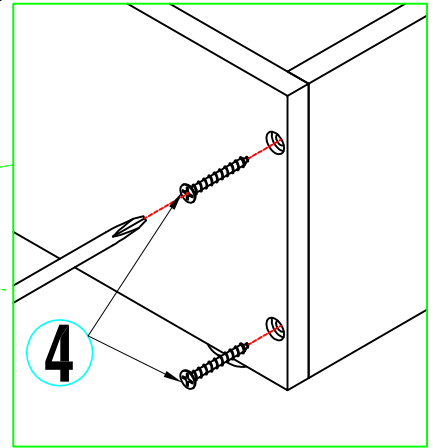
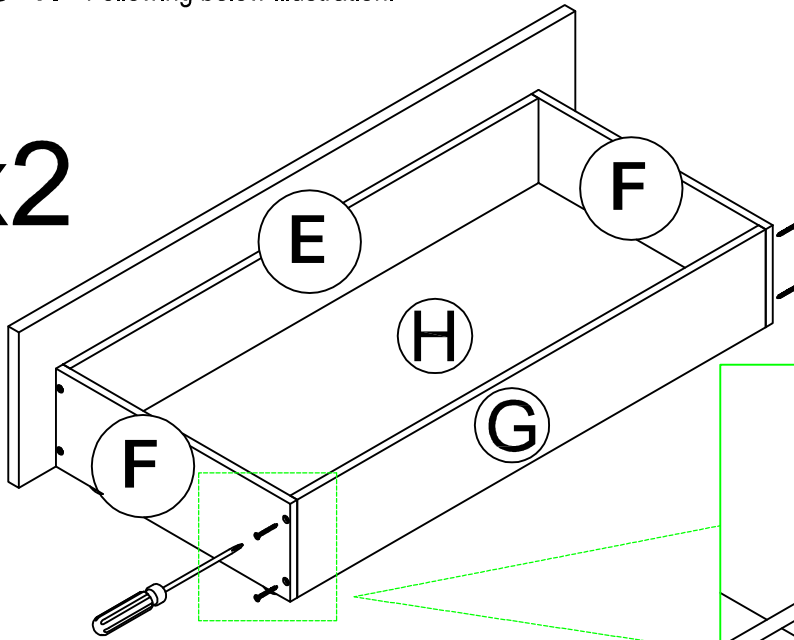
**STEP 4-2:** Following below illustration:



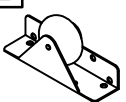

**STEP 5-1:** Following below illustration:

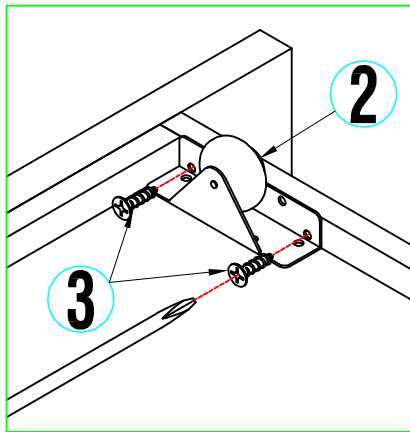
<b>4</b>	
8pcs	

**x2**

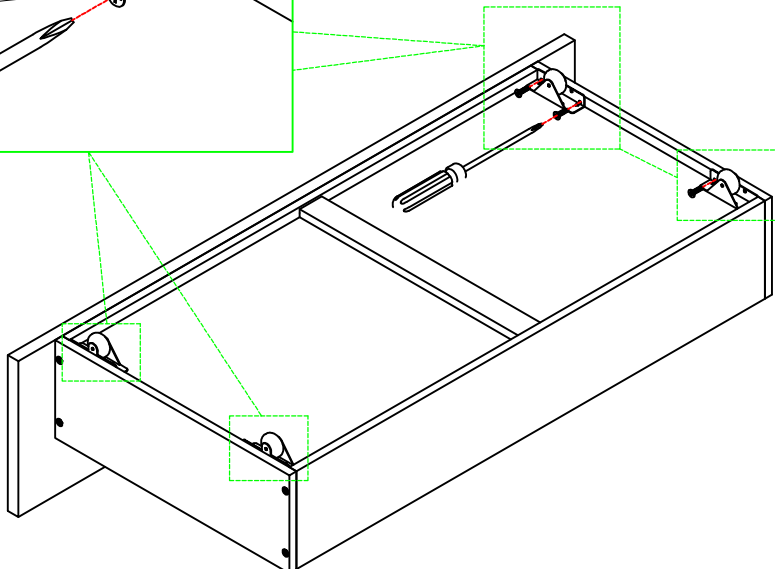


**STEP 5-2:** Following below illustration:


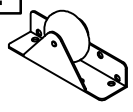
<b>2</b>		<b>3</b>	
8pcs		16pcs	

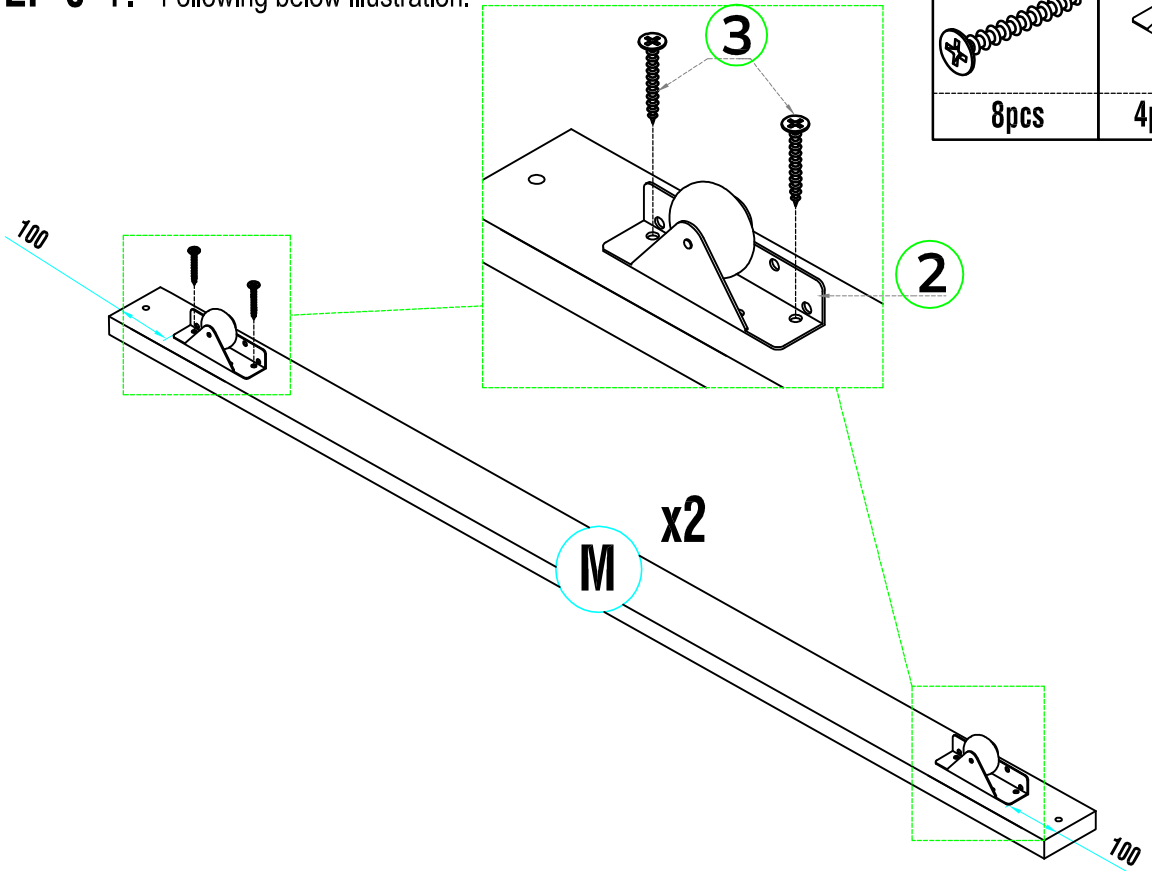


**x2**






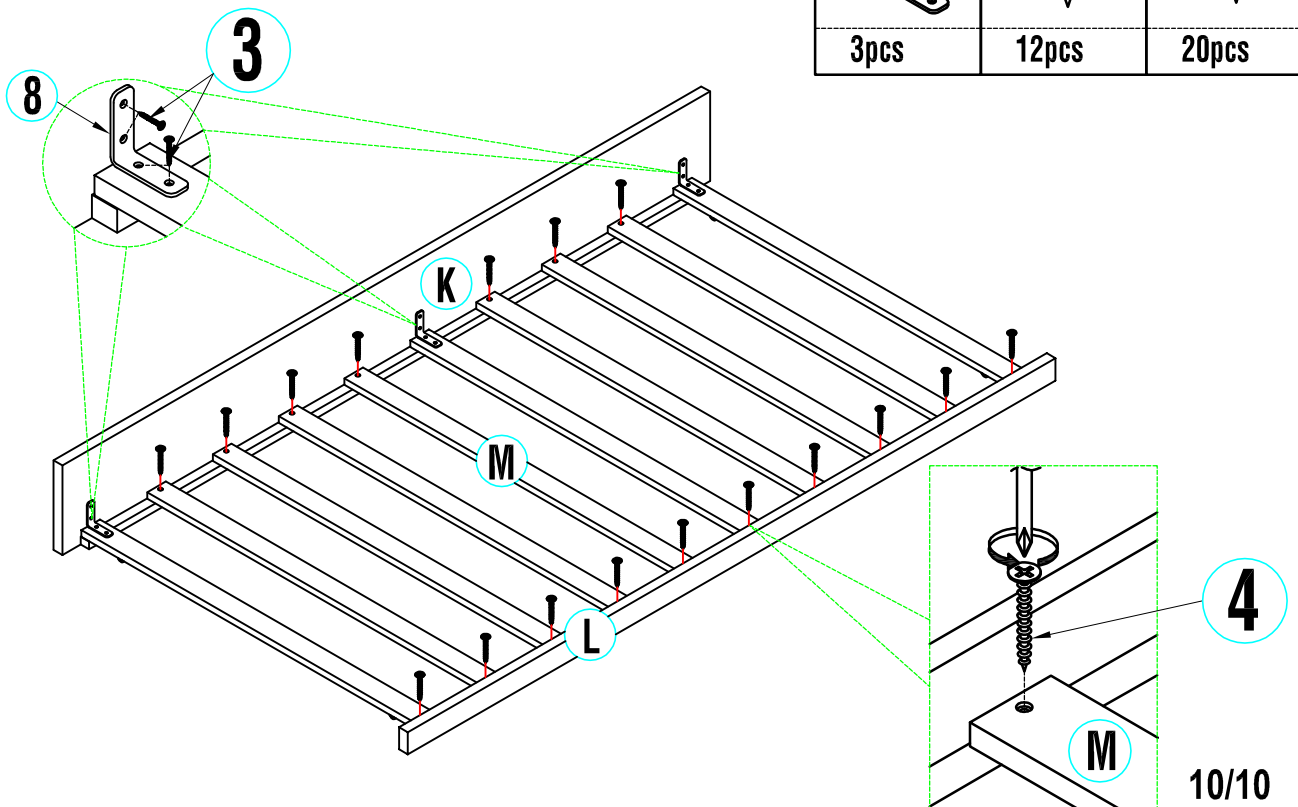
**STEP 6-1:** Following below illustration:

<b>3</b> 	<b>2</b> 
8pcs	4pcs

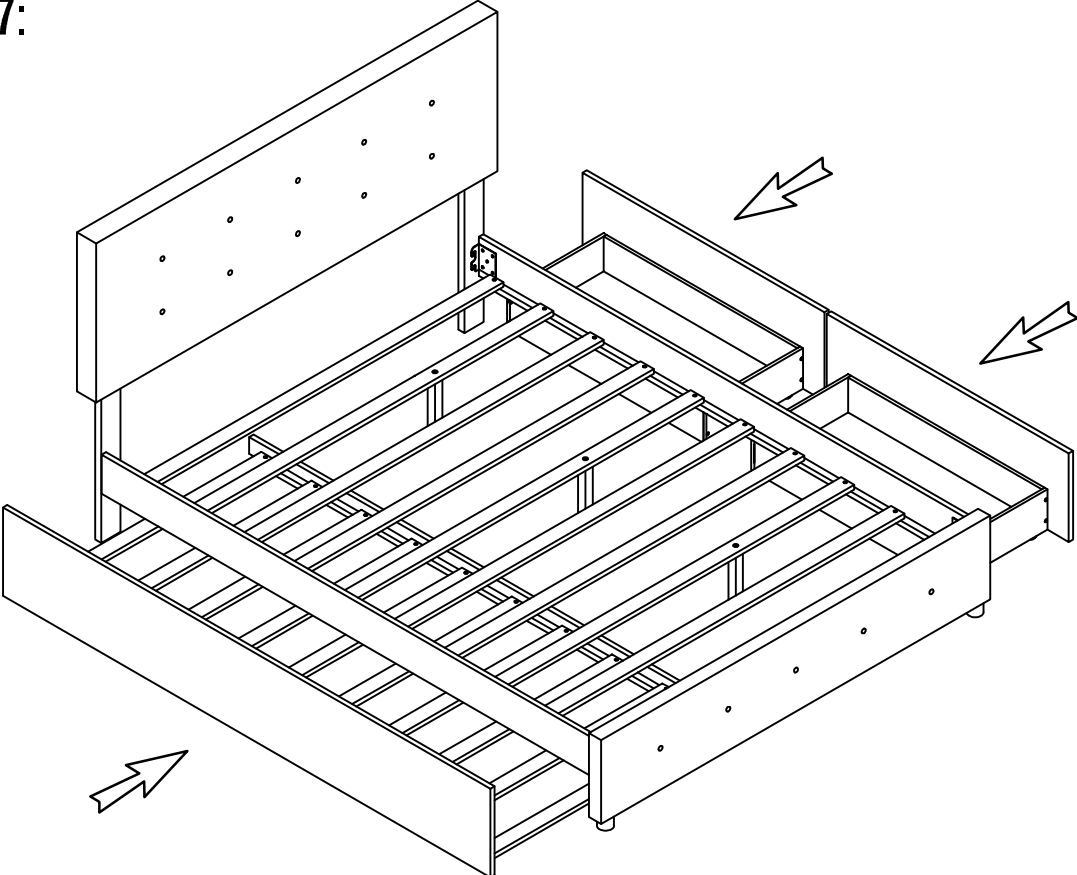


**STEP 6-2:** Following below illustration:

<b>8</b> 	<b>3</b> 	<b>4</b> 
3pcs	12pcs	20pcs



**STEP 7:**



**FINISH**

