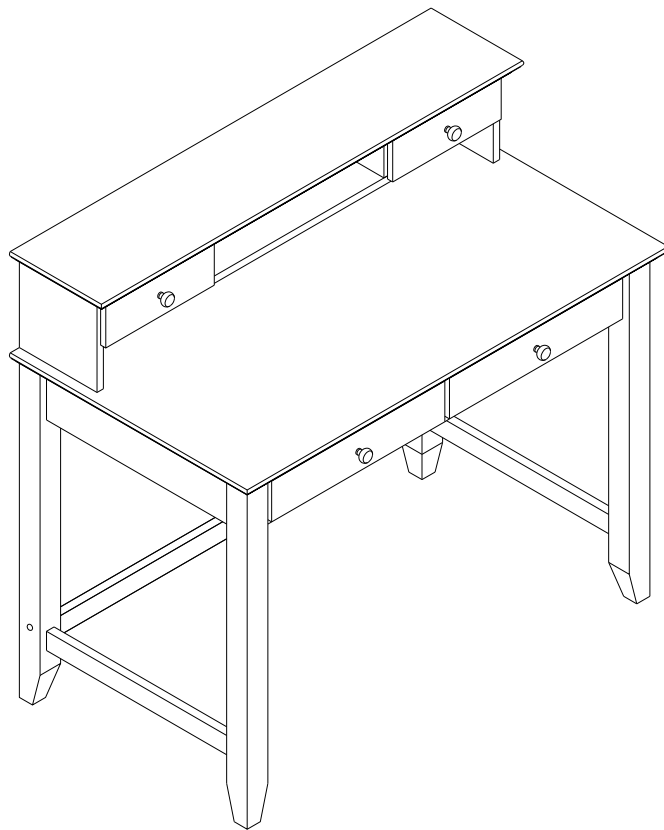


Product Instructions for:

Desk

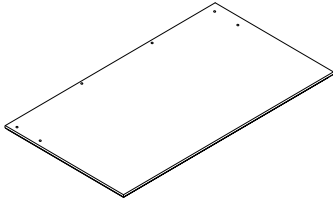


Desk

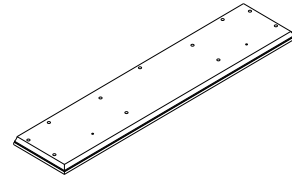
Before beginning assembly, separate all parts and carefully study the parts diagrams below. Review all parts and hardware before disposing of any packaging. You may receive extra hardware with your unit. Call Customer Service for missing hardware.

Parts List

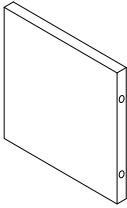
A: Top Panel (1)



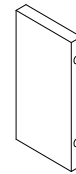
B: Upper Top Panel (1)



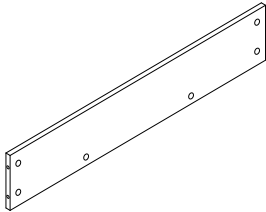
C: Upper Side Panel (2)



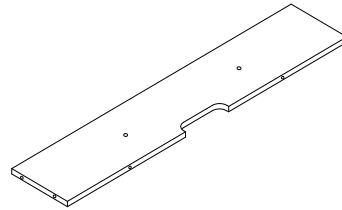
D: Upper Middle Panel (2)



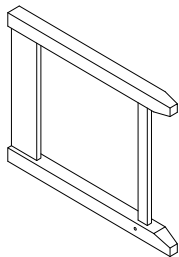
E: Upper Shelf Panel (1)



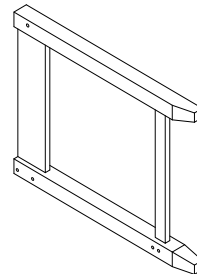
F: Upper Rear Panel (1)



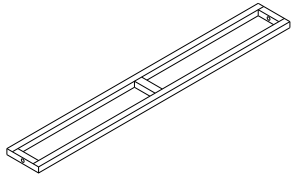
G: Left Side Frame (1)



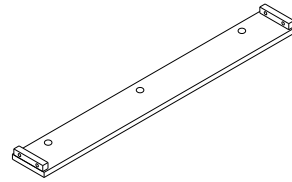
H: Right Side Frame (1)



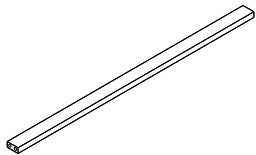
I: Front Frame (1)



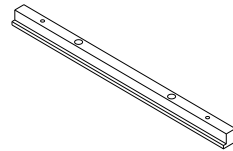
J: Rear Panel (1)



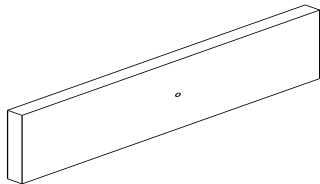
K: Cross Bar (1)



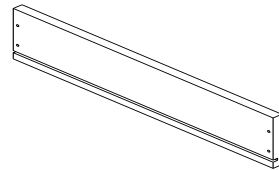
L: Drawer Slide (2)



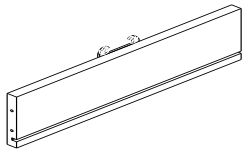
M: Drawer Face Panel (2)



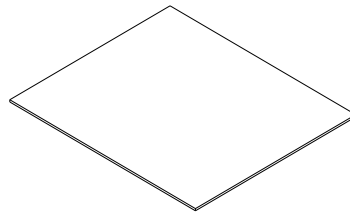
N: Drawer Side Panel (4)



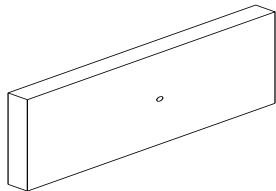
O: Drawer Rear Panel (2)



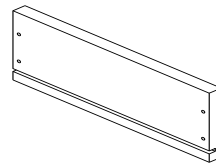
P: Drawer Bottom Panel (2)



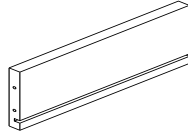
Q: Upper Drawer Face Panel (2)



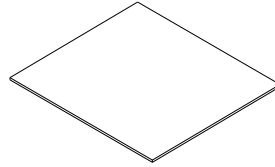
R: Upper Drawer Side Panel (4)



S: Upper Drawer Rear Panel (2)



T: Upper Drawer Bottom Panel (2)



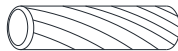
1: Cam Bolt (38)



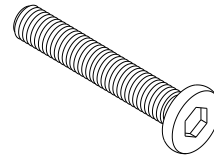
2: Cam Lock (38)



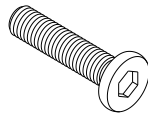
3: Dowel 5/16" x1-1/4" (10)



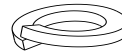
4: Bolt Dia. 1/4" x2-1/4" (2)



5: Bolt Dia. 1/4" x1-1/4" (10)



6: Spring Washer Dia. 1/4" (4)



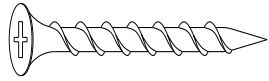
7: Flat Washer Dia. 1/4" x3/4" (4)



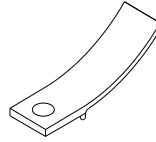
8: Allen Wrench (1)



9: Screw Dia. 1/8" x 1"L (32)



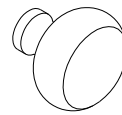
10: Drawer Stop (4)



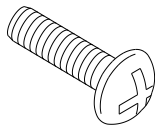
11: Screw Dia. 1/8" x 1/2"L (4)



12: Drawer Handle (4)



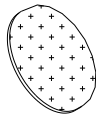
13: Bolt Dia. 5/32" x 1-1/8"L (4)



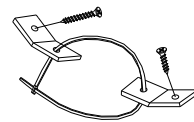
14: Wood Plug (2)



15: Cam Cover (12)



16: Safety Strap (2)



Desk

Assembly Instructions

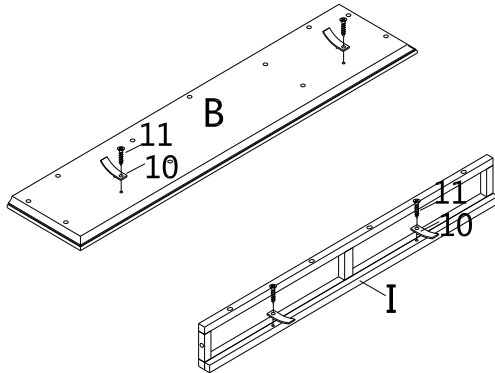


Figure 1

Unpack and lay parts on a clean, padded surface like a carpet or blanket. Check that you have all parts indicated on the front page.

Step 1

Use Screws (11) to connect Drawer Stops (10) to Front Frame (I) and Upper Top Panel (B).

Tighten Screws (11) using Phillips screwdriver (not included).

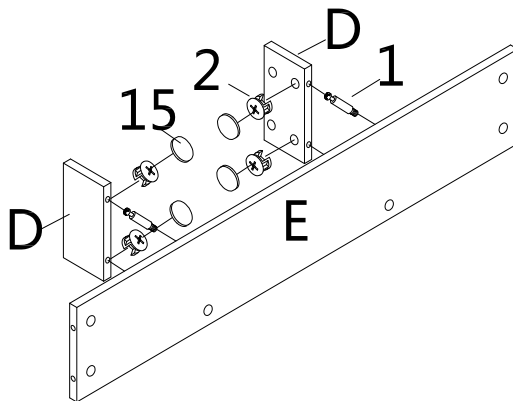


Figure 2

Step 2

Insert Cam Locks (2) into predrilled holes on Upper Middle Panel (D) as shown in Figure 2.

Screw Cam Bolts (1) into predrilled holes on Upper Shelf Panel (E).

Attach Upper Shelf Panel (E) to Upper Middle Panel (D) by inserting Cam Bolts (1) into corresponding holes until components meet.

Tighten Cam Locks (2) by rotating clockwise using Phillips screwdriver (not included).

Cover Cam Locks (2) with Cam Covers (15) provided.

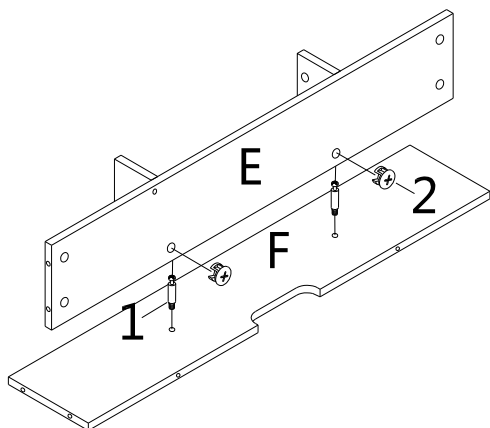


Figure 3

Step 3

Insert Cam Locks (2) into predrilled holes on Upper Shelf Panel (E) as shown in Figure 3.

Screw Cam Bolts (1) into predrilled holes on Upper Rear Panel (F).

Attach Upper Rear Panel (F) to Upper Shelf Panel (E) by inserting Cam Bolts (1) into corresponding holes until components meet.

Tighten Cam Locks (2) by rotating clockwise using Phillips screwdriver (not included).

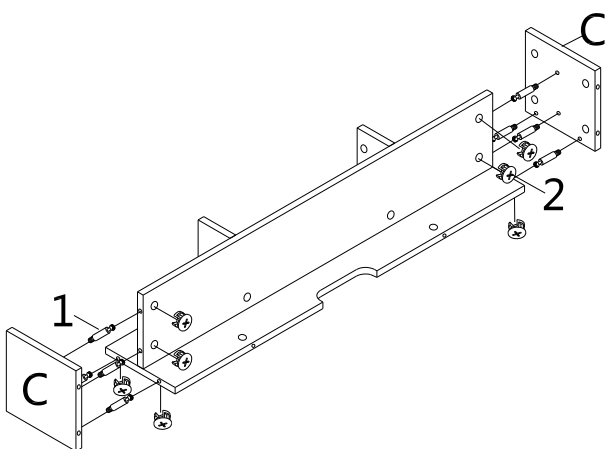


Figure 4

Step 4

Insert Cam Locks (2) into predrilled holes on Upper Shelf Panel (E) and Upper Rear Panel (F) as shown in Figure 4.

Screw Cam Bolts (1) into predrilled holes on Upper Side Panels (C).

Attach Upper Side Panels (C) to unit from Figure 3 by inserting Cam Bolts (1) into corresponding holes until components meet.

Tighten Cam Locks (2) by rotating clockwise using Phillips screwdriver (not included).

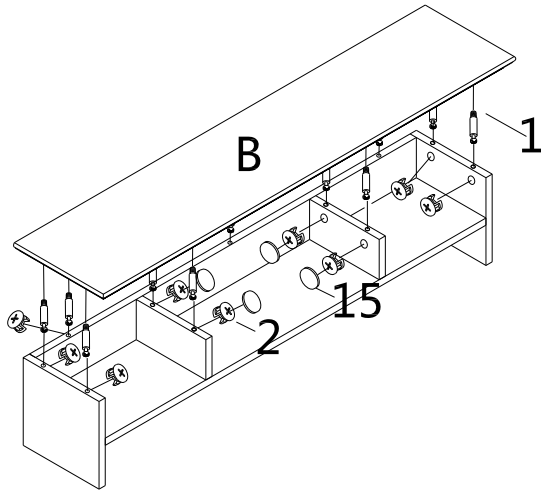


Figure 5

Step 5

Insert Cam Locks (2) into predrilled holes on unit from Figure 4.

Screw Cam Bolts (1) into predrilled holes on Upper Top Panel (B).

Attach Upper Top Panel (B) to unit from Figure 4 by inserting Cam Bolts (1) into corresponding holes until components meet.

Tighten Cam Locks (2) by rotating clockwise using Phillips screwdriver (not included).

Cover Cam Locks (2) with Cam Covers (15) provided.

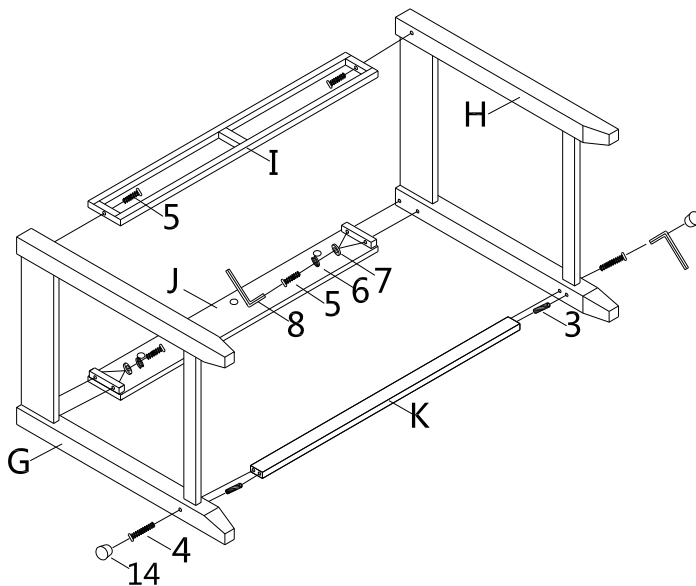


Figure 6

Step 6

Attach Front Frame (I) to Side Frames (G & H) using Bolts (5).

Attach Rear Frame (J) to Side Frames (G & H) using Bolts (5), Spring Washers (6) and Flat Washers (7).

Attach Cross Bar (K) to Side Frames (G & H) using Bolts (4).

Tighten Bolts (4) with Allen Wrench (8).

Cover holes on Side Frames (G & H) with Wood Plugs (14).

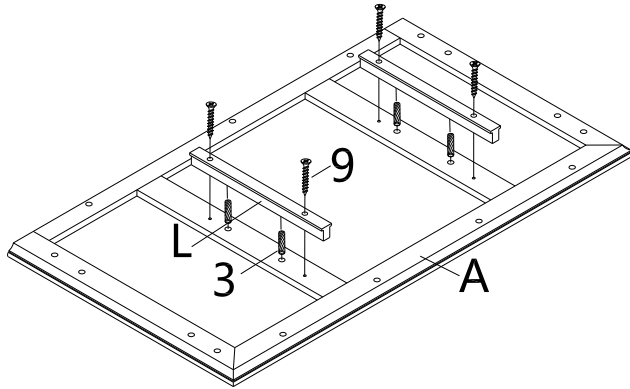


Figure 7

Step 7

Use Screws (9) and Dowels (3) to connect Drawer Slide (L) to Top Panel (A).

Tighten Screws (9) using Phillips screwdriver (not included).

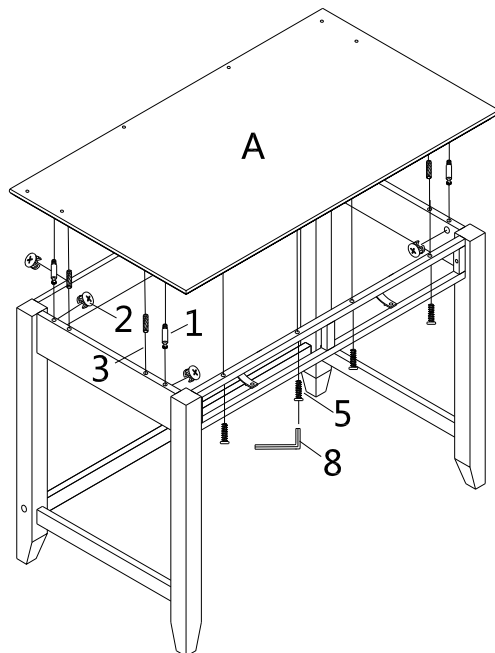


Figure 8

Step 8

Insert Cam Locks (2) into predrilled holes on unit from Figure 7.

Screw Cam Bolts (1) into predrilled holes on Top Panel (A).

Attach Top Panel (A) to unit from Figure 7 by inserting Cam Bolts (1) into corresponding holes until components meet.

Tighten Cam Locks (2) by rotating clockwise using Phillips screwdriver (not included).

Use Bolts (5) to connect Top Panel (A) to Front Frame (I).

Tighten Bolts (5) using Allen Wrench (8).

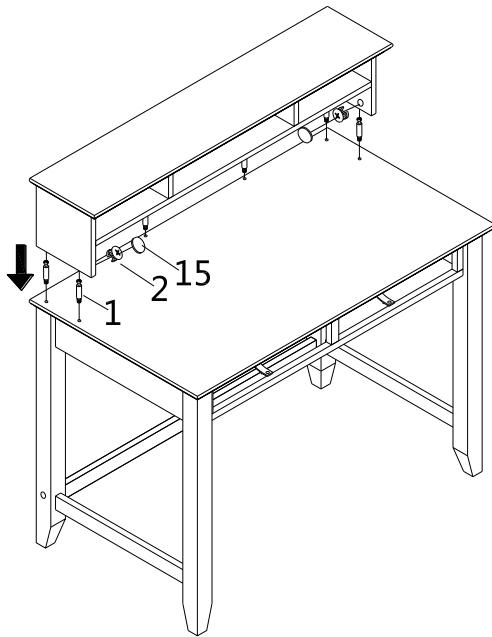


Figure 9

Step 9

Insert Cam Locks (2) into predrilled holes on unit from Figure 8.

Screw Cam Bolts (1) into predrilled holes on Top Panel (A).

Attach Top Panel (A) to unit from Figure 8 by inserting Cam Bolts (1) into corresponding holes until components meet.

Tighten Cam Locks (2) by rotating clockwise using Phillips screwdriver (not included).

Cover Cam Locks (2) with Cam Covers (15) provided.

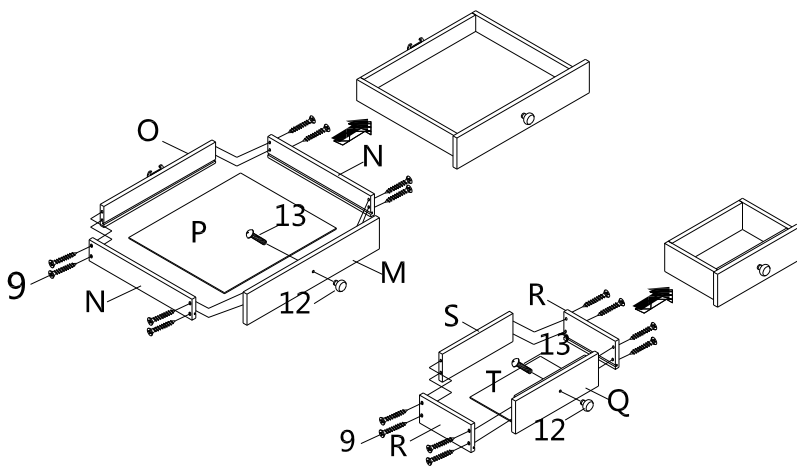


Figure 10

Step 10

Attach Drawer Side Panels (N) to Drawer Rear Panel (O) using Screws (9).

Insert Drawer Bottom Panel (P) into grooves on Drawer Side Panels (N) and Drawer Rear Panel (O)

Attach Drawer Face Panel (M) to the assembled drawer using Screws (9).

Finally attach the Drawer Handle (12) to Drawer Front using Bolts (13).

Tighten Screws (9) and Bolts (13) with Phillips screwdriver (not included)

Repeat process for top drawers.

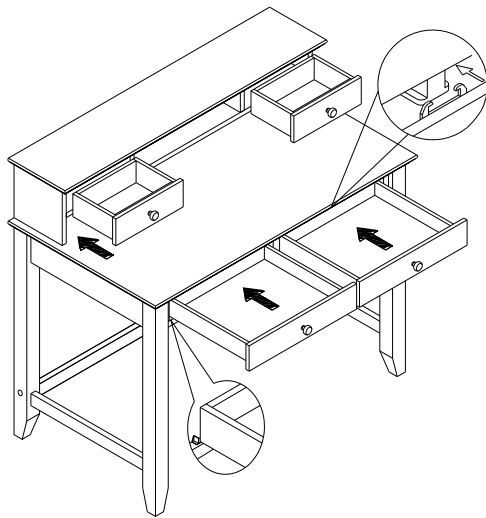


Figure 11

Step 11

Insert assembled drawers into unit from Figure 9.

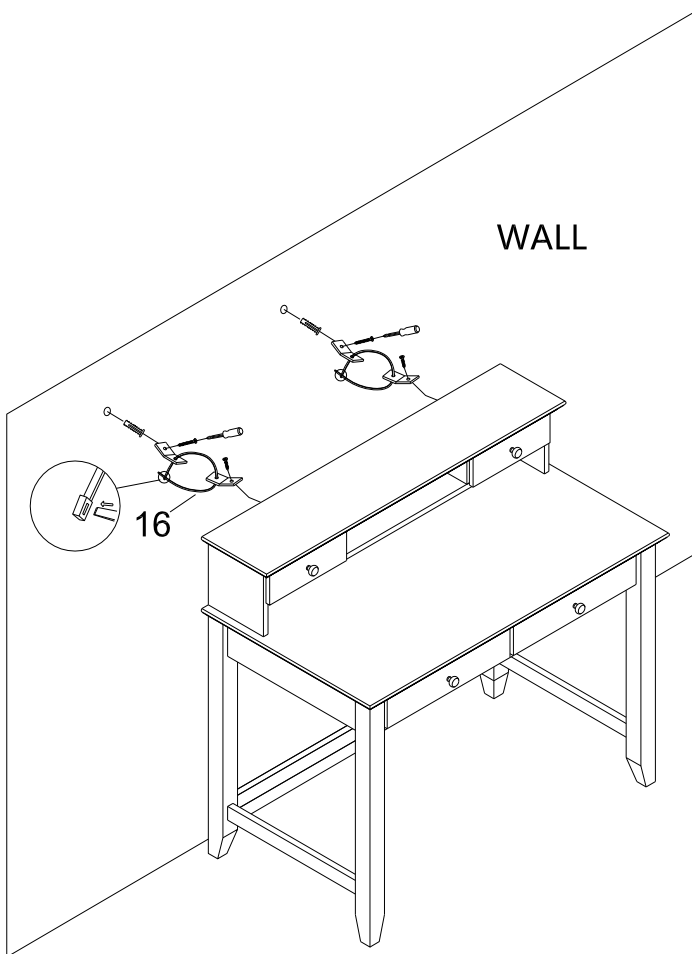


Figure 12

Step 12

Attach Safety Straps (16) to Upper Rear Panel (F) using screws (included) as shown in Figure 12.

Tighten screws using Philips screwdriver (not included).

Mark two desired locations on wall.

Drill two 3/16" holes on wall.

Hammer two wall anchors (included) into the holes in wall until flush.

Attach metal brackets (included) of Safety Straps (16) to wall using screws.

Move item close to the wall and connect the anti-tipping hardware components using Plastic Strap (7).

Anti-tipping hardware must be used for this product to avoid tipping and injury.

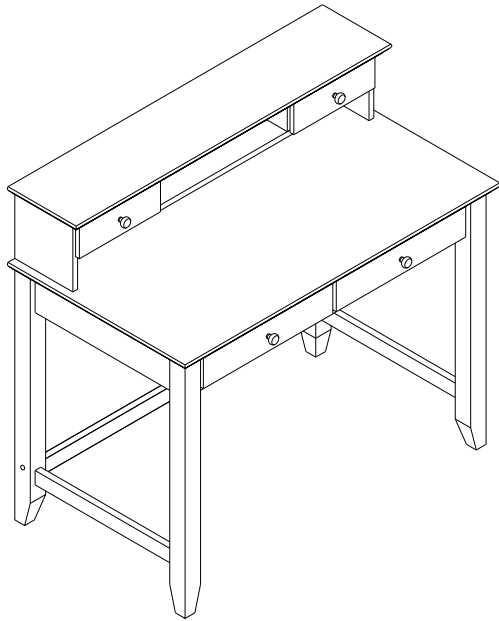


Figure 13

Step 13

Now your Desk is ready to use!