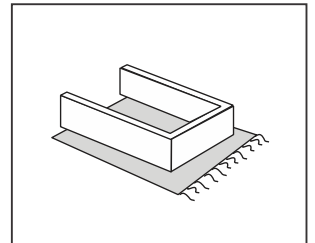
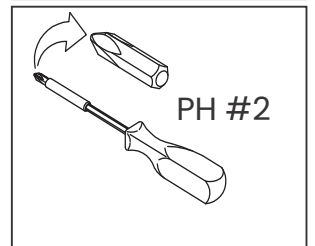
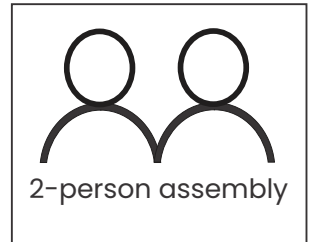
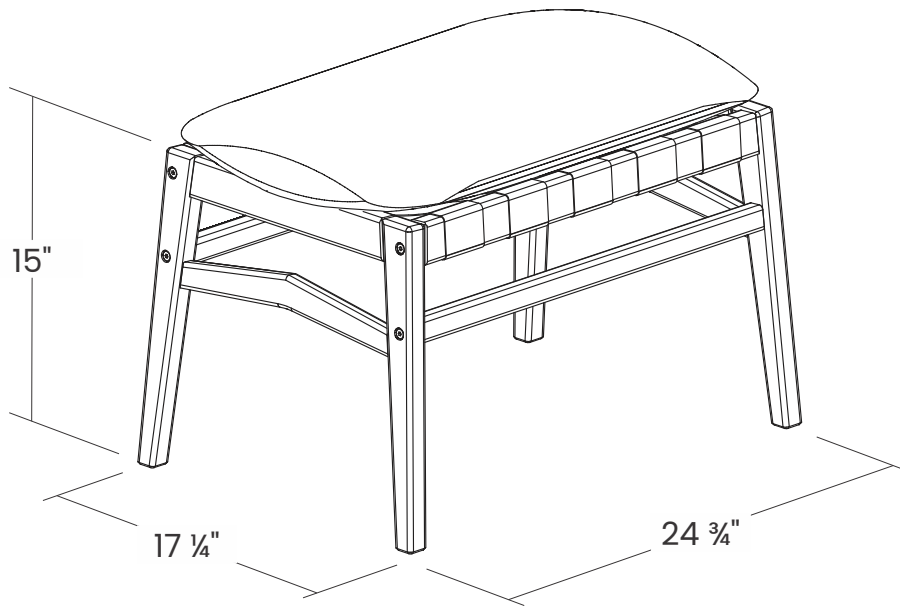


Assembly Instructions



Model #	Finish
BMC3205	Brushed Walnut

Thank you for choosing Grain Wood Furniture, it is an honor to be in your home!
If you have any questions, feedback, or need replacement parts please contact us at:
grainwoodfurniture.com/help or support@grainwoodfurniture.com

**Mid Century
Ottoman**

GrainWood
FURNITURE.COM

PLEASE READ BELOW BEFORE BEGINNING ASSEMBLY

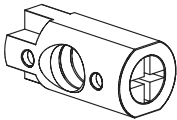
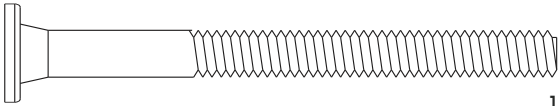

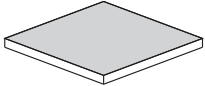
- Enlist help from a friend or family member as most items require two people for proper assembly.
- Choose a spacious, open area near where the piece will be located once assembled. It is easier to move parts than to relocate the furniture after it is fully assembled.
- Do not throw away packaging material until assembly is complete.
- Assemble the item on a soft surface, such as cardboard or an old blanket in order to protect the finish from possible dents or scratches.
- Lay out the parts in order and count them twice. In case any parts are missing or damaged, document the problem with pictures and contact support so we can make it right.
- Solid wood furniture may present imperfections such as wood knots, minor splits or cracks which are a natural aspect of the material. Whenever stability of the furniture is not compromised, we recommend customers perform cosmetic touch-ups with wax crayon fillers sold at all major hardware stores.
- It is best to use the tools provided in the box, such as a hex key, because they may be specially sized for the piece of furniture.
- We do not recommend the use of power drills as they can damage your furniture if not used correctly.
- Use a carpenter's square or hardcover book to check angles when assembling drawers and doors. If they are not at 90 degrees, they will not close properly.
- If you have any problems, we are here to help. Just go to grainwoodfurniture.com/help.
- See grainwoodfurniture.com/care-guide for suggestions that will help your furniture last for years.



grainwoodfurniture.com/assembly-troubleshooting

Enjoy your 100% solid wood furniture!

HARDWARE LIST

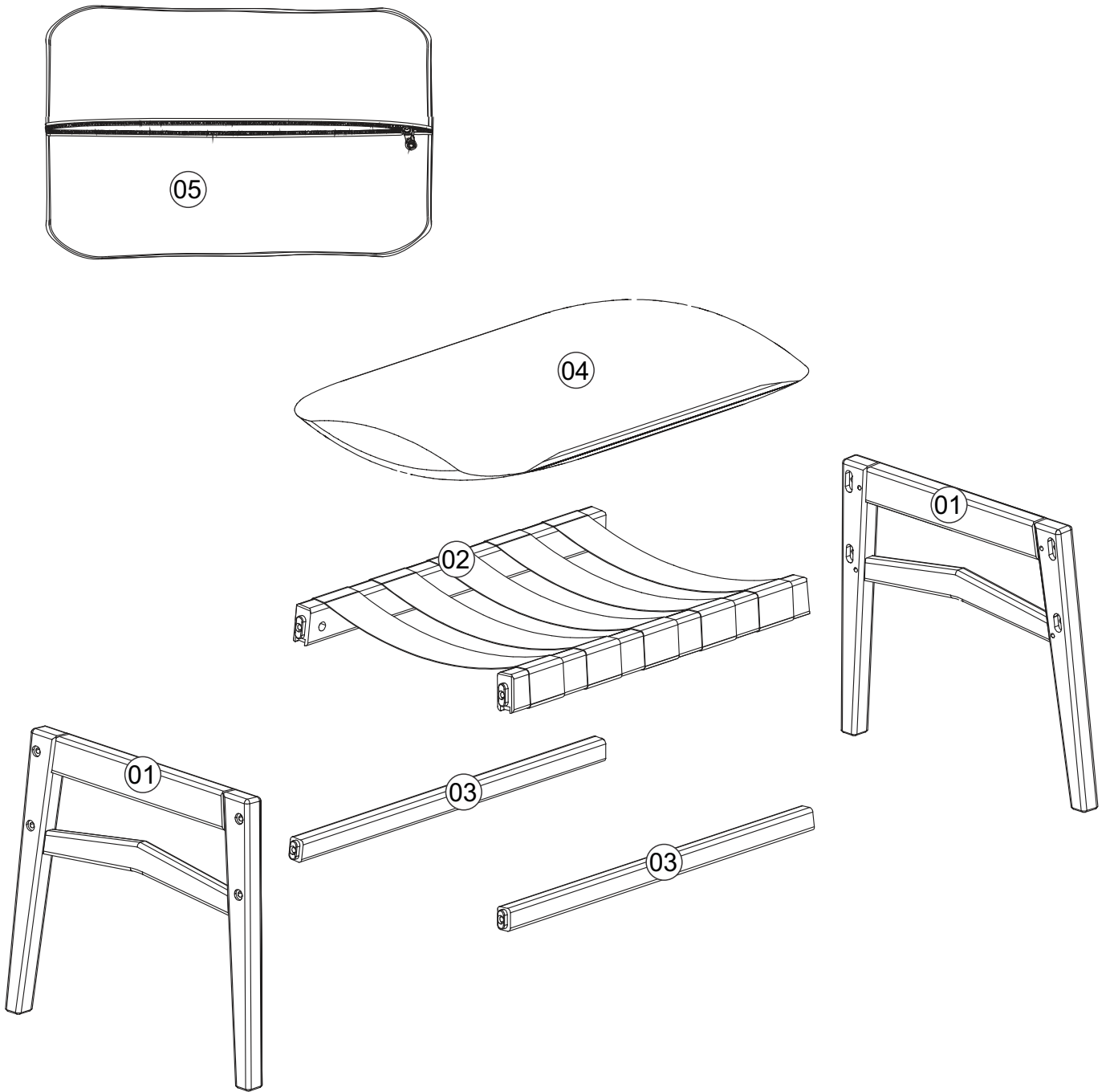
B48	 1/4"x20 Ø10	8 + 1
B49	 1/4"x70 Ø13	8 + 1
G3		1
G21	 20x20x1,5	4

ATTENTION

Before starting assembly
please verify the hardware
set is complete.

For missing hardware please
contact us at
grainwoodfurniture.com/help

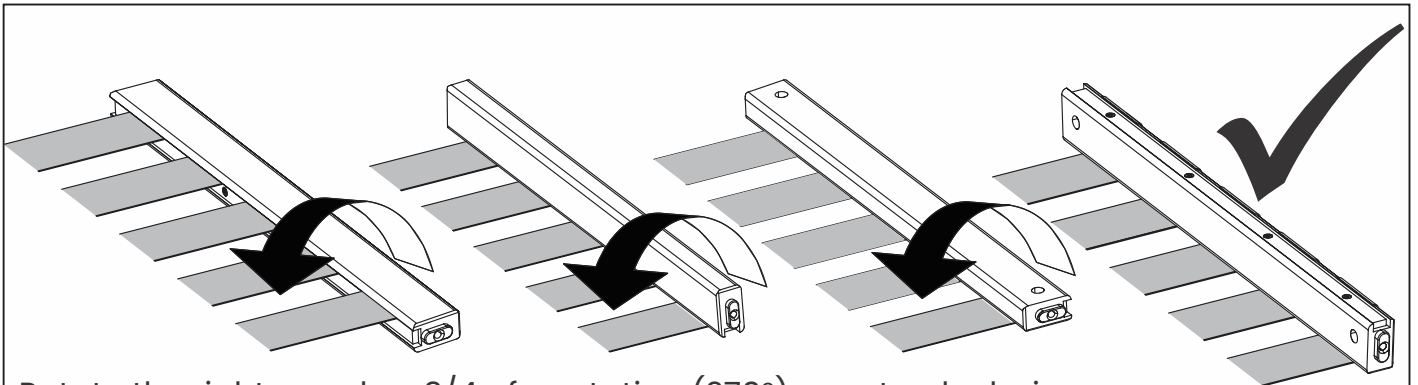
WARNING:
CHOKING HAZARD
Small parts, not for children.
To be assembled by an adult.



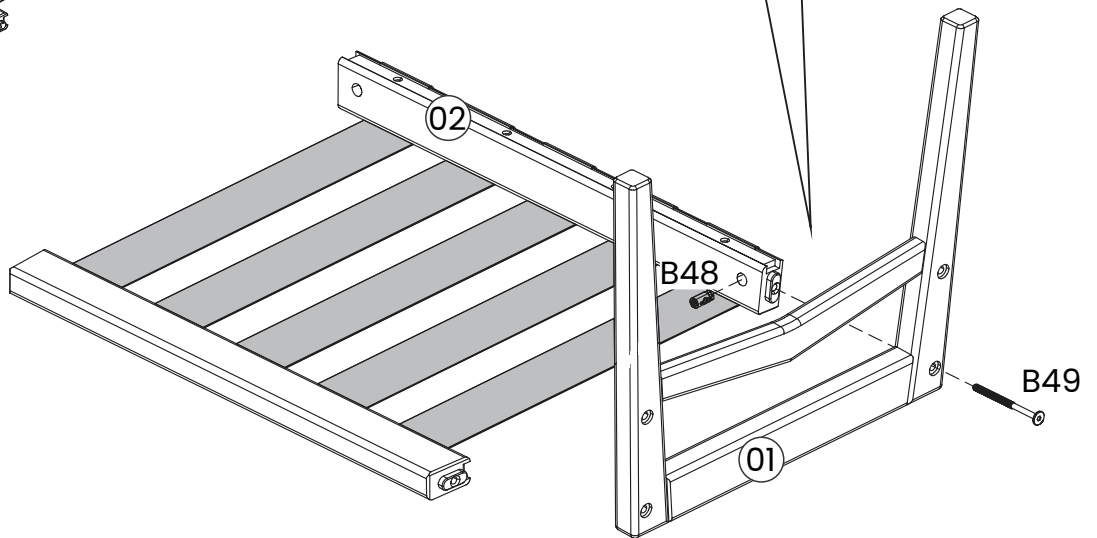
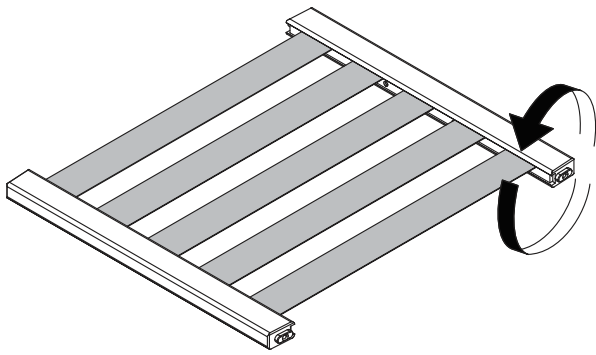
BOX		
Part #	Description	Qty.
01	Frame	2
02	Straps	1
03	Crosspiece	2
04	Seat Cushion	1
05	Cover	1
HW	Hardware	1

1) Warning!

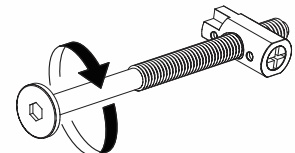
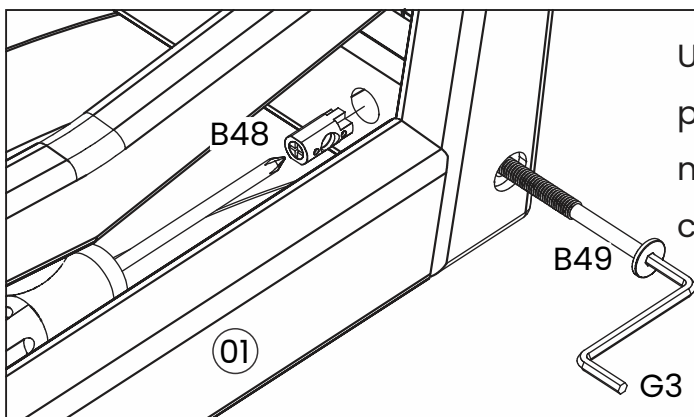
The direction of rotation is important. Pay close attention to the images below.

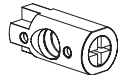
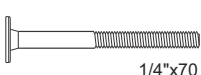
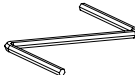


Rotate the right crossbar 3/4 of a rotation (270°) counterclockwise and attach it to the frame so the channel with screws faces left.

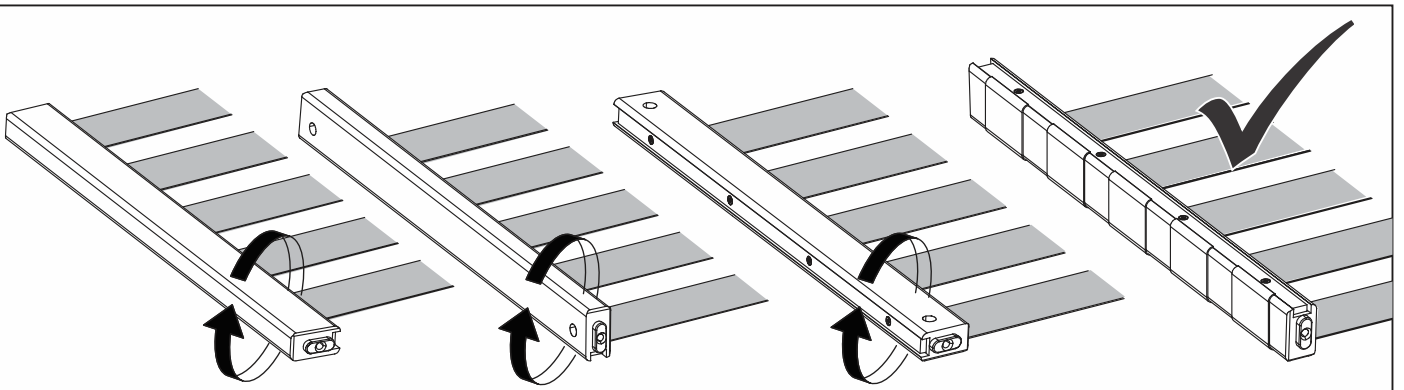


Use the Phillips screwdriver to hold nut B48 in place while connecting with bolt B49 as the nut B48 must face the right direction to connect with bolt B49.

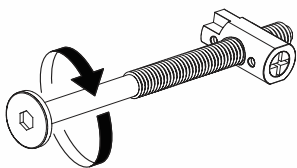
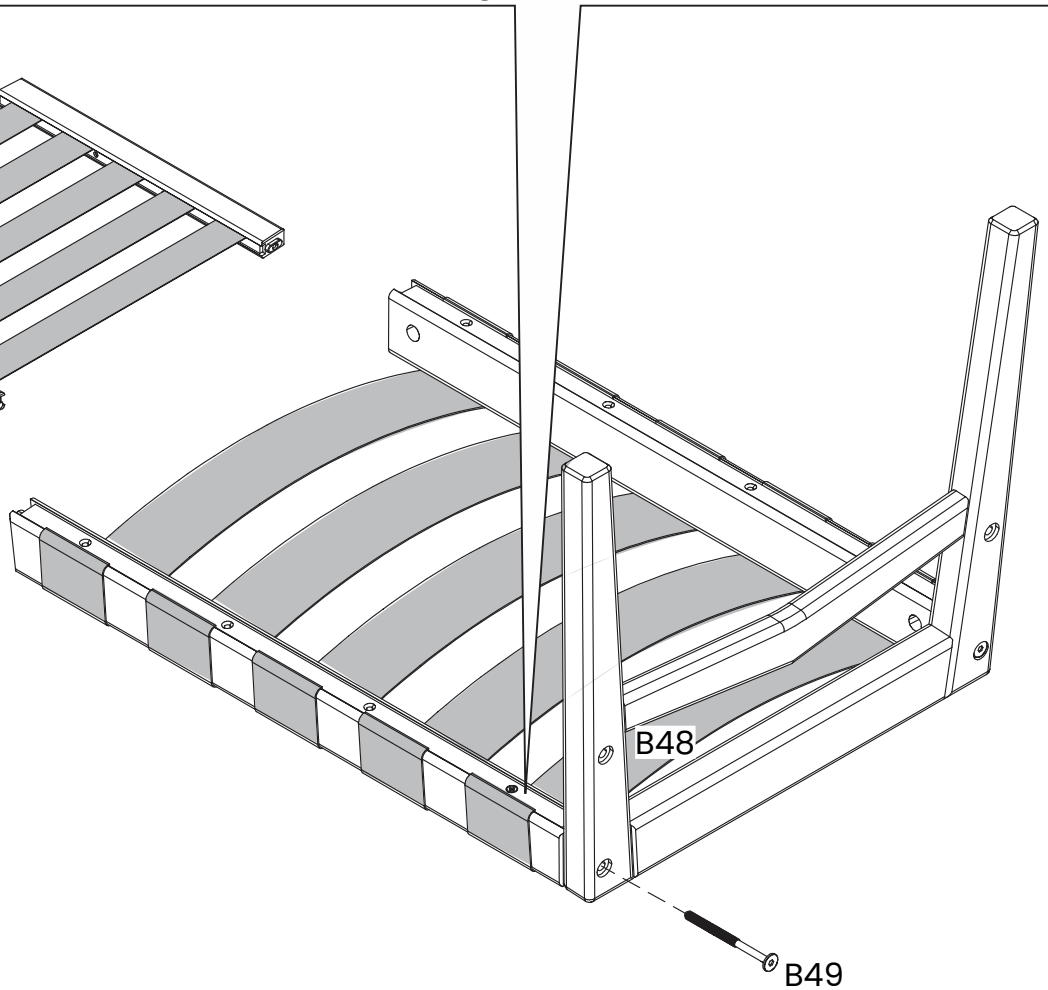
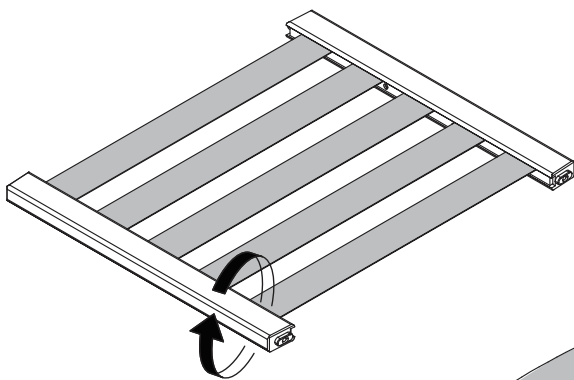


B48		1	B49		1	G3		1
	1/4"x20			1/4"x70				

2)



Rotate the small crossbar a full rotation (360°) and attach it to the frame. Note the direction of rotation in the images below.



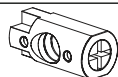
B49

G3

B48

01

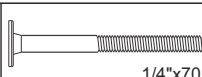
B48



1/4"x20

1

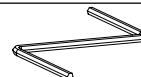
B49



1/4"x70

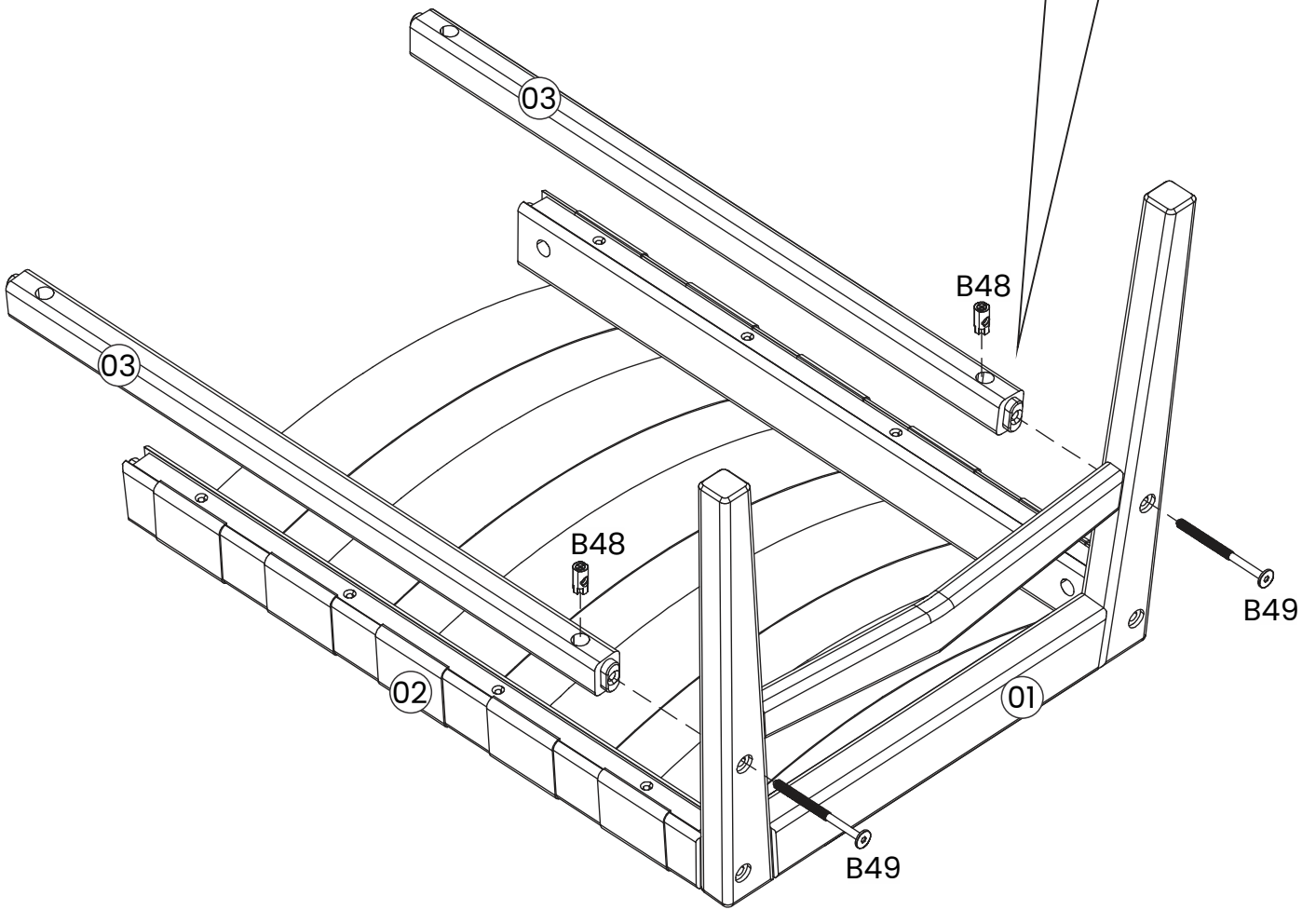
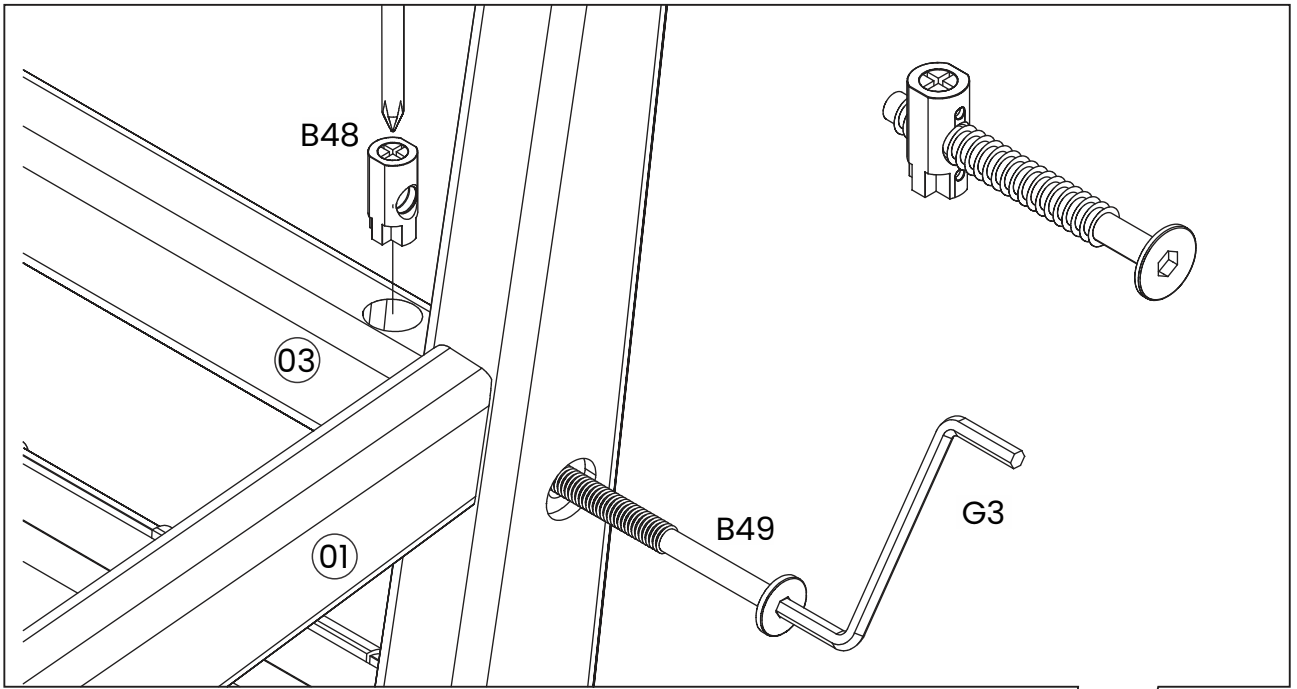
1

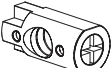
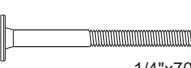

G3



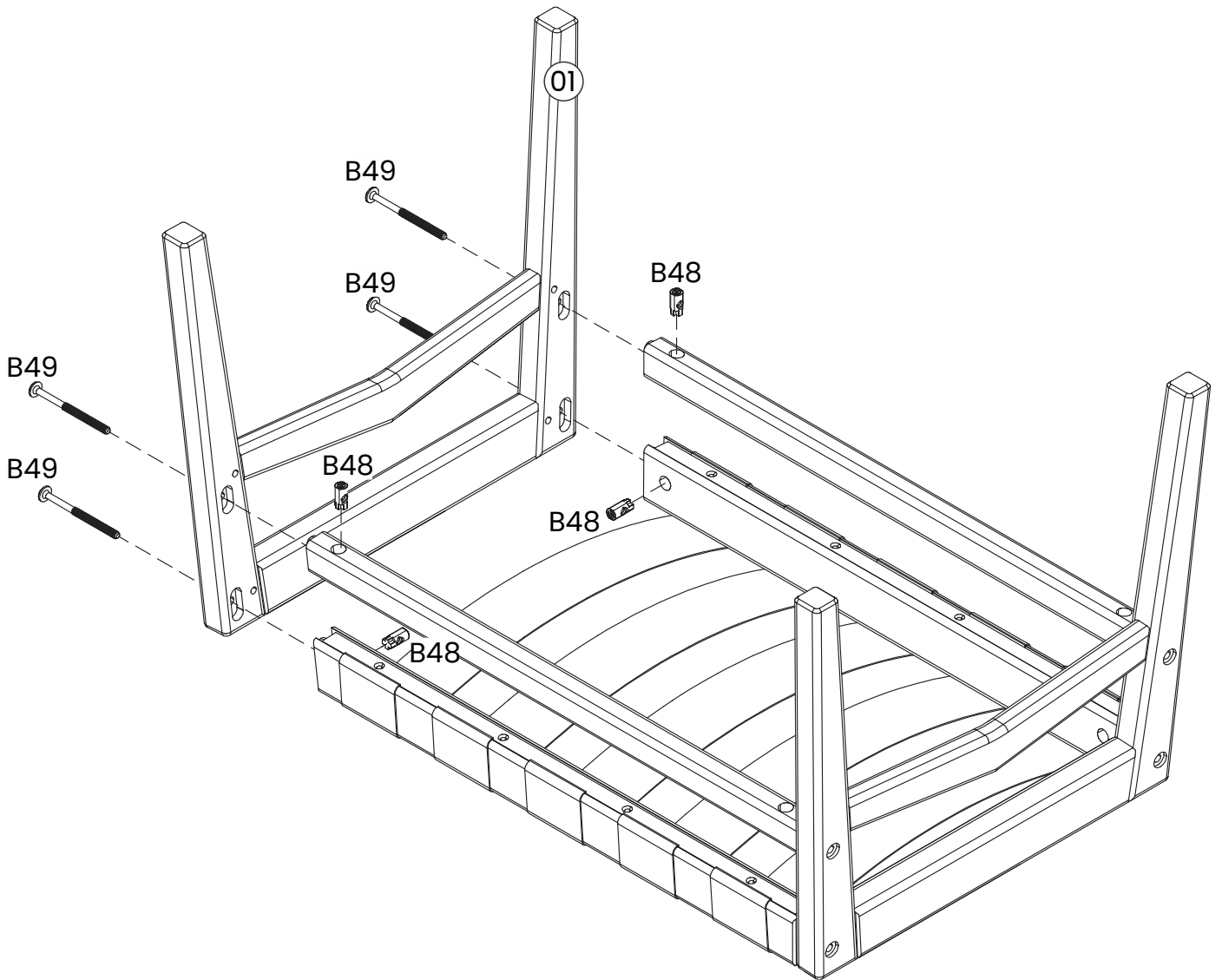
1

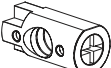
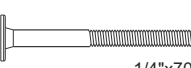

3)



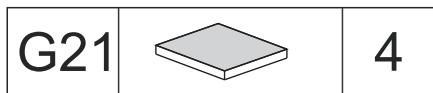
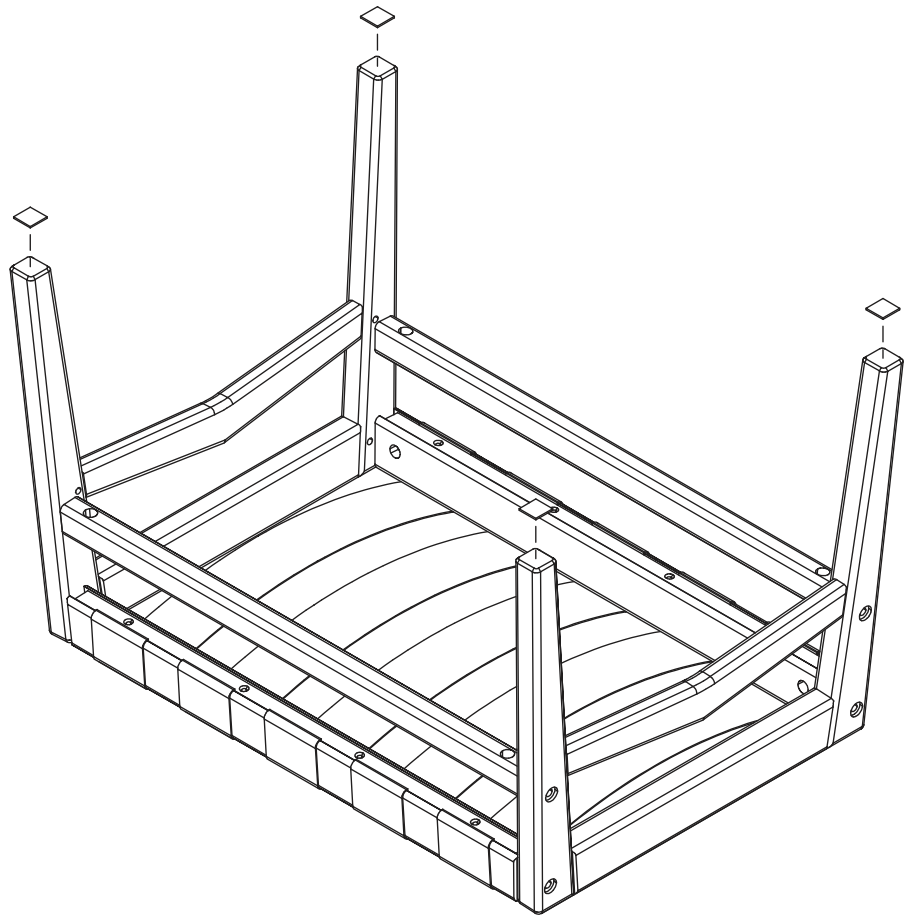
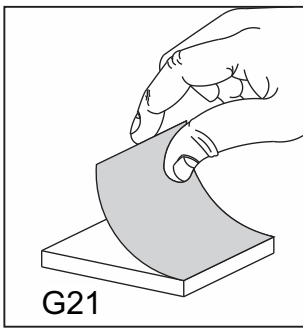
B48		2	B49		2	G3		1
	1/4"x20			1/4"x70				

4)



B48	 1/4"x20	4	B49	 1/4"x70	4	G3		1
-----	--	---	-----	--	---	----	---	---

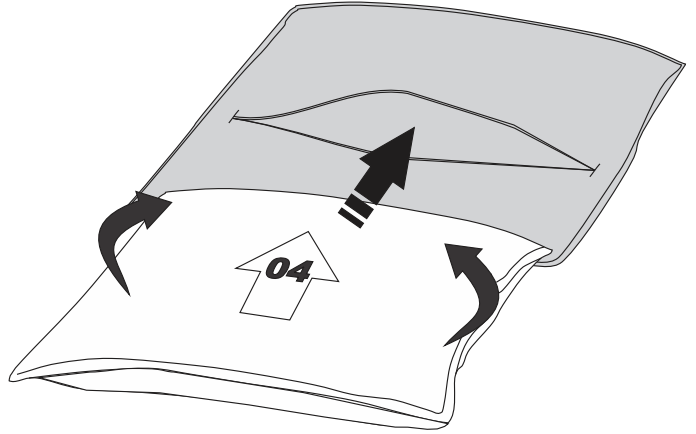
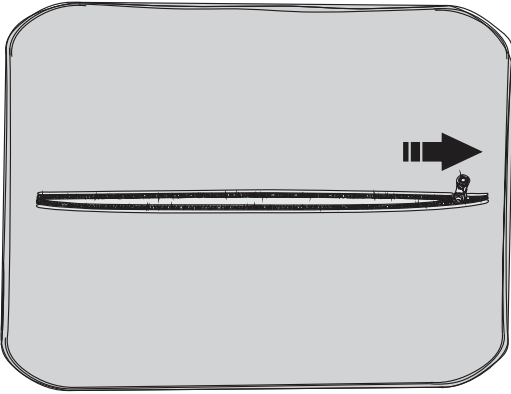
5)



- 6) Remove the cushions from the plastic packaging and evenly distribute the fibers inside before placing them into the fabric cover.



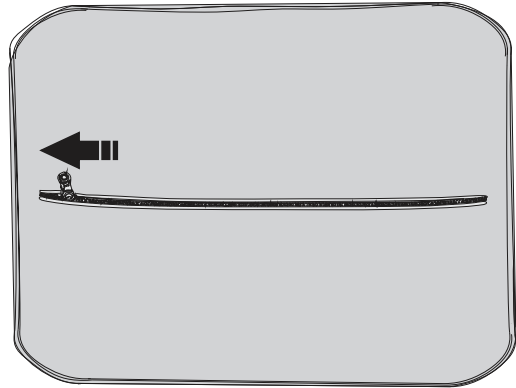
7)



Insert the cushion into the cover following the direction on the arrow.



Fluff the pillow so the cushion fills the pocket evenly



8) Place the cushion on the ottoman with the zipper facing down

