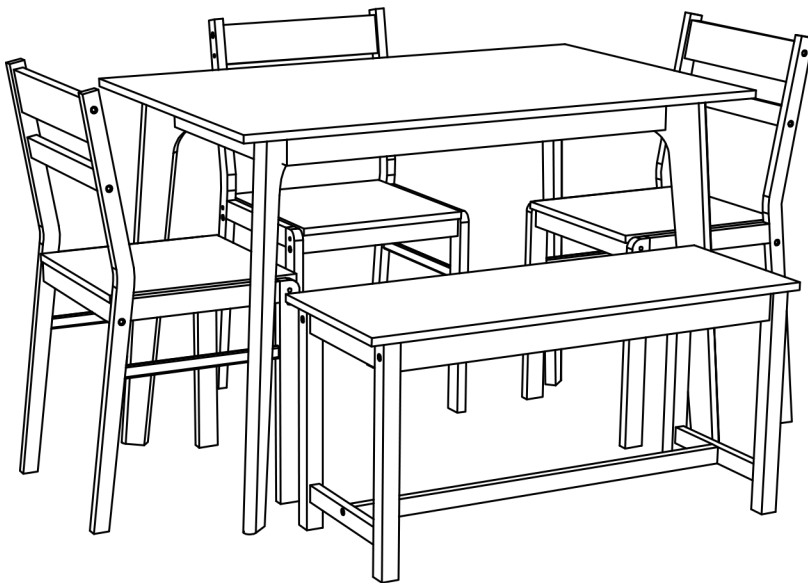


ASSEMBLY INSTRUCTIONS



TOOLS REQUIRED



Allen Wrench

(Included)



Phillips
Screwdriver

(Not Included)



**2 - Persons
Recommended**

ASSEMBLY RATING



EASY —————> DIFFICULT

The Assembly Rating is a 5-point system showing the level of effort needed to assemble a specific product.



CHECK BEFORE STARTING

Are you missing anything?

Double-check all parts, hardware and accessories listed on Page 6 are accounted for.

Should we send any replacements?

Are there any irregularities or flaws in the parts? We can send replacements!

Check out our Quick Tips!

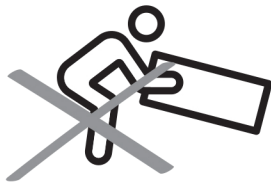
We recommend reviewing the pre-assembly handouts. Even experts need a refresher now and then!

Prep Time!

Please review the assembly instructions and all diagrams prior to assembling. Arrange parts as recommended on Page 7 and group identical hardware together to make assembling easier.

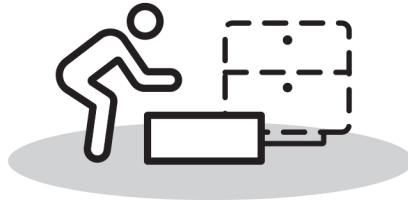
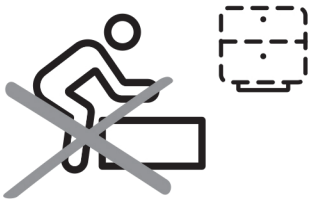
PRE ASSEMBLY INTRODUCTION

We understand building ready-to-assemble furniture can be a challenging experience for some. To help avoid confusion, we have provided some helpful tips that may speed up the process.



Teamwork

ALWAYS have at least two people to help with transporting and assembling the product to avoid potential injury and/or damage.



Suitable Location

Assembling near the area of the intended location is highly recommended.



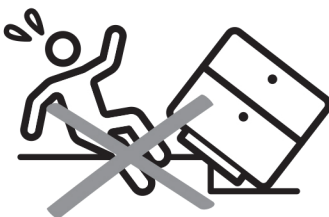
Sufficient Space

Make sure you have enough space to move around during the assembly.



Avoid Scratches

Use cardboard, blankets or a carpeted area while assembling furniture to prevent scratches.



Flat Surface

Make sure the furniture rests on a flat and level surface with each leg evenly touching the floor.

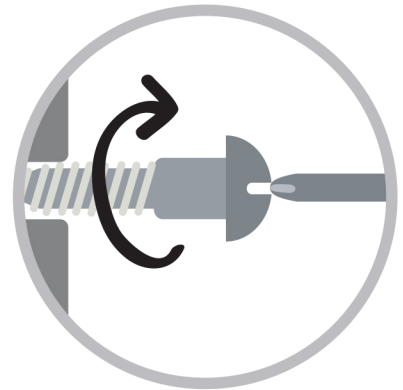
ASSEMBLY AND CARE ADVICE



FAILURE TO FOLLOW THE GUIDELINES BELOW MAY RESULT IN INJURY AND/OR PROPERTY DAMAGE.



Position each part correctly and insert screws or bolts into their respective holes.



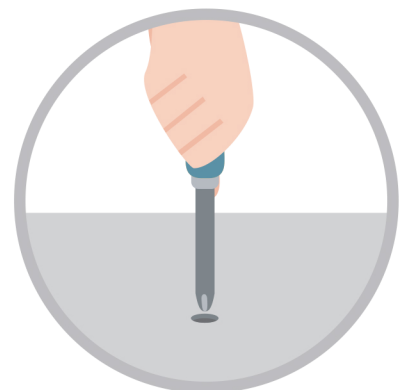
Turn clockwise to tighten and only tighten when step is completed or when instructed to do so.



Use the appropriate hand tools or power tools for assembly. Select steps, such as tightening screws and/or bolts, may require hand tools to avoid causing damage during assembly.



Save the instructions and store any supplied tools for later maintenance.



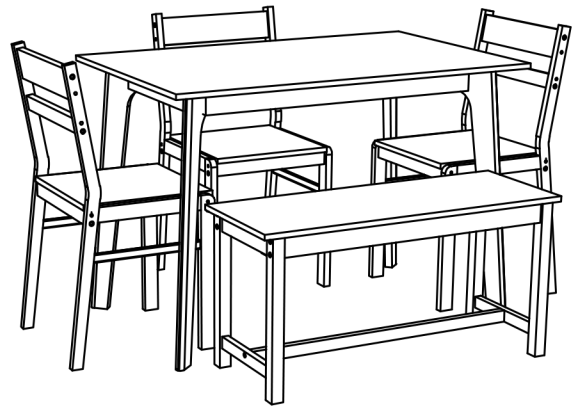
After two weeks, check and tighten any loose hardware and repeat again every six months thereafter.

IT IS THE USER'S RESPONSIBILITY TO MAINTAIN THE FURNITURE. THE HARDWARE MAY LOOSEN OVER TIME AND MAY CAUSE THE FURNITURE TO BE WOBBLY AND UNABLE TO SUPPORT ITS INTENDED WEIGHT CAPACITY. THIS MAY LEAD TO COLLAPSE AND MAY CAUSE SERIOUS INJURY.

DINING TABLE SETS



- Please keep instructions for future reference.
- Check the quantity and irregularity of parts and hardware before you start.



PARTS

Table(x1)

#1 1pc

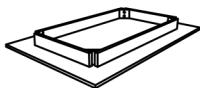


Table Top

#2 4pcs



Leg

Chair(x3)

#3 1pc



Chair Side Frame - Left

#4 1pc



Chair Side Frame - Right
(Marking with hole)

#5 1pc



Chair Back Rail-1

#6 1pc



Chair Back Rail-2

#7 2pcs



Chair Back Rail-3

#8 1pc



Chair Seat Panel

Bench(x1)

#9 1pc



Bench Seat Panel

#10 2pcs



Bench Top Apron

#11 1pc



Bench Bottom Stretcher

#12 2pcs



Bench Side Leg

HARDWARE

Table(x1)

#A 8pcs



Bolt 1/4" x 2" Lock Washer

#B 8pcs



Flat Washer

#C 8pcs



Flat Washer

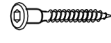
#D 1pc



Allen Key m4

Chair(x3)

#E 8pcs



Unita Screw 3/8" x 1 3/4"

#F 4pcs



Csk m4 x 32mm

#G 8pcs



Wood Dowel 8mm x 30mm

#H 1pc



Allen Key m4

Bench(x1)

#I 4pcs



Bolt 1/4" x 2 3/8"

#J 2pcs



Unita Screw 9/32" x 1 7/8"

#K 12pcs



Csk m4 x 32mm

#L 10pcs



Wood Dowel 8mm x 30mm

#M 4pcs



Barel Nut m6

#N 1pc



Allen Key m4

ASSEMBLY INSTRUCTIONS

TABLE (X1)

1

Part #1 x1pc

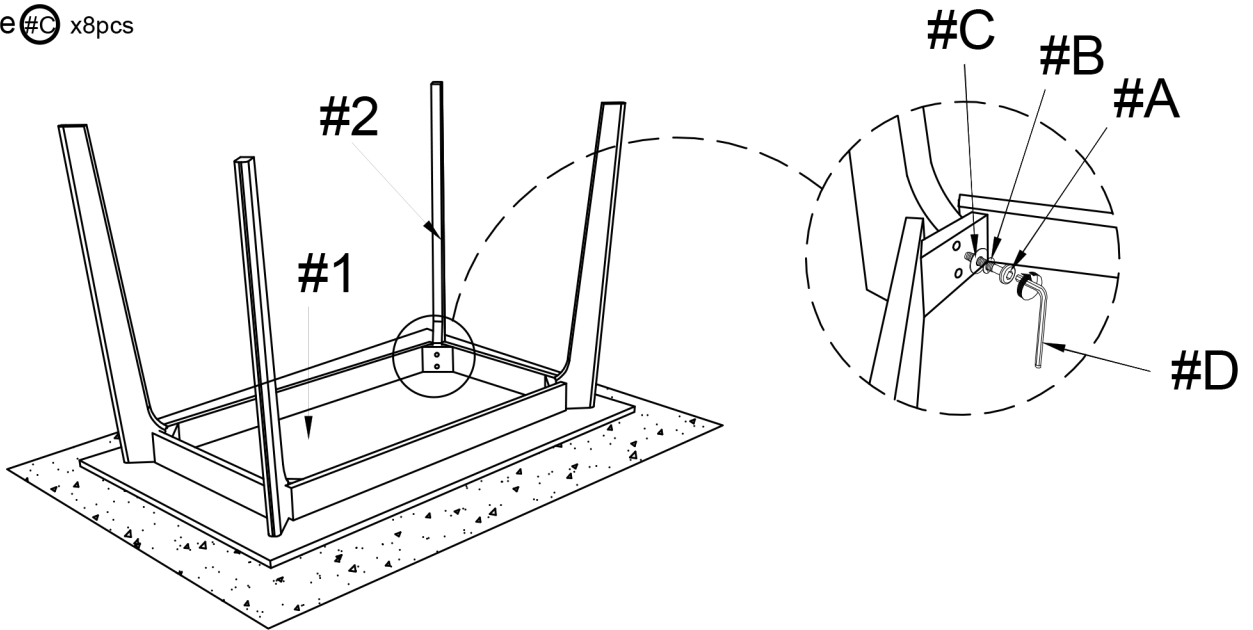
Part #2 x4pcs

Hardware #A x8pcs

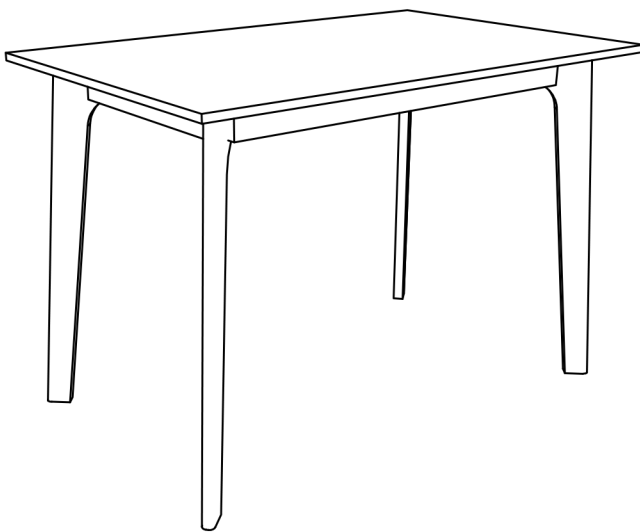
Hardware #B x8pcs

Hardware #C x8pcs

Align legs (#2) to the table (#1), then secure by using bolts (#A) with washers (#B,C).



2



ASSEMBLY COMPLETED



Please ensure the furniture rests on an even and flat surface. If the product wobbles or feels loose, double-check all bolts and/or screws are properly tightened and secured.

✓ Keep this handy!

Please retain this instruction manual and any order-related information for future reference.

✓ Lift, don't drag!

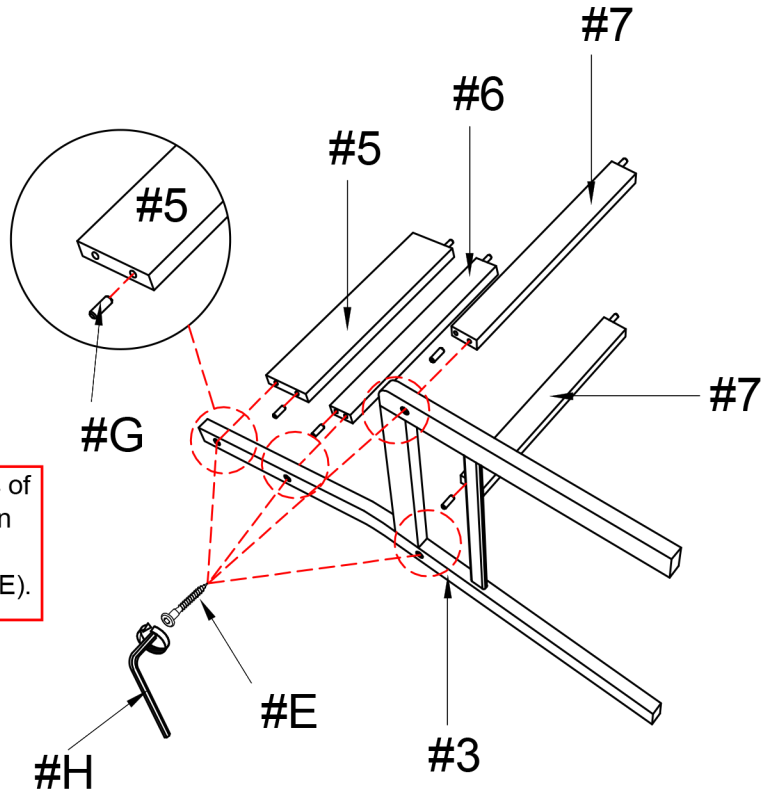
To avoid damage to product please always LIFT the product when transporting or adjusting the placement.

ASSEMBLY INSTRUCTIONS

CHAIR (X3)

1

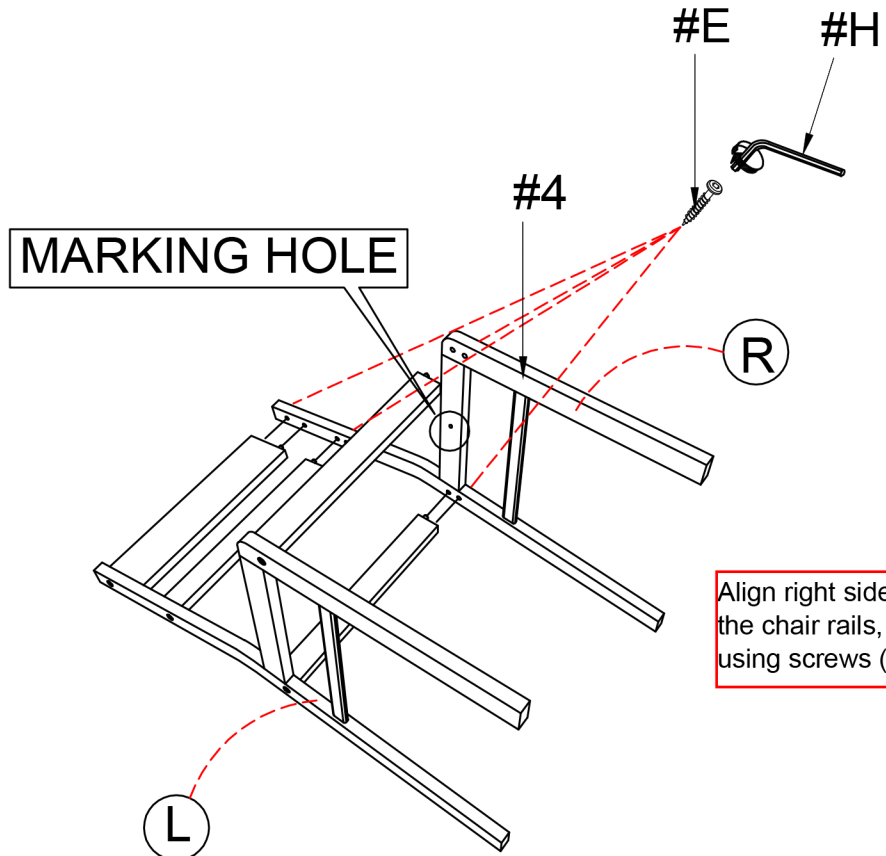
- Part #3 x1pc
- Part #5 x1pc
- Part #6 x1pc
- Part #7 x2pcs
- Hardware #E x4pcs
- Hardware #G x8pcs



Insert dowels (#G) to each ends of the chair rails (#5,6,7), then align chair rails to the left side frame (#3). Secure by using screws (#E).

2

- Part #4 x1pc
- Hardware #E x4pcs



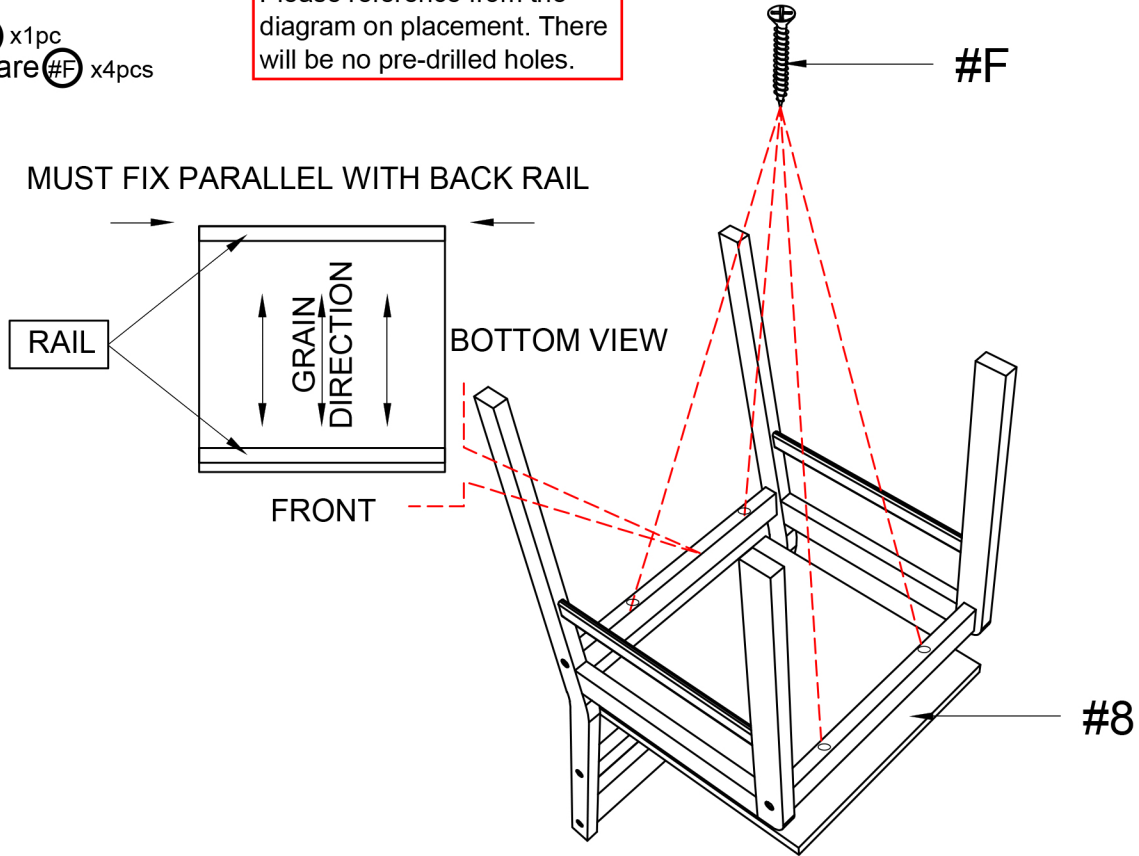
Align right side frame (#4) to the chair rails, then secure by using screws (#E).

ASSEMBLY INSTRUCTIONS

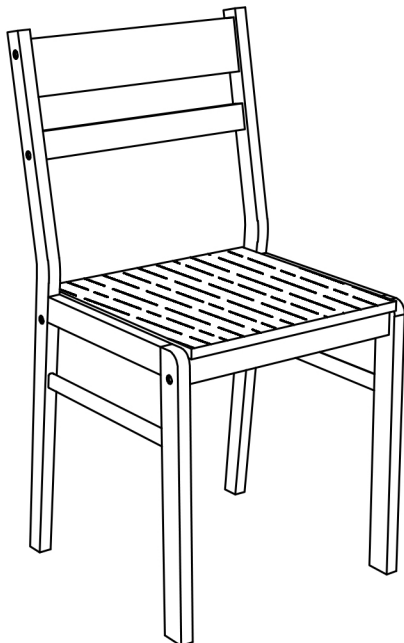
3

Part **#8** x1pc
Hardware **#F** x4pcs

Align seat board (**#8**) to the frame of the chair, then secure by using screws (**#F**). Please reference from the diagram on placement. There will be no pre-drilled holes.



4



ASSEMBLY COMPLETED



Please ensure the furniture rests on an even and flat surface. If the product wobbles or feels loose, double-check all bolts and/or screws are properly tightened and secured.



Keep this handy!

Please retain this instruction manual and any order-related information for future reference.



Lift, don't drag!

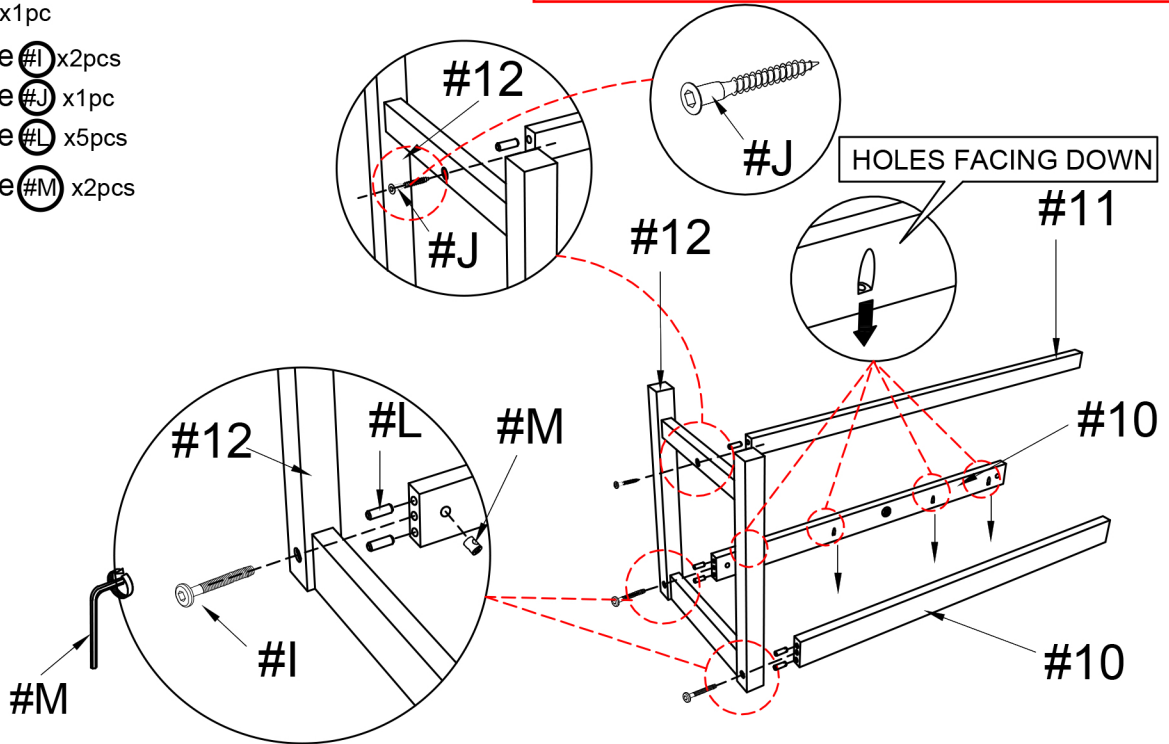
To avoid damage to product please always LIFT the product when transporting or adjusting the placement.

ASSEMBLY INSTRUCTIONS

BENCH (X1)

- 1 Part #10 x2pcs
Part #11 x1pc
Part #12 x1pc
Hardware #I x2pcs
Hardware #J x1pc
Hardware #L x5pcs
Hardware #M x2pcs

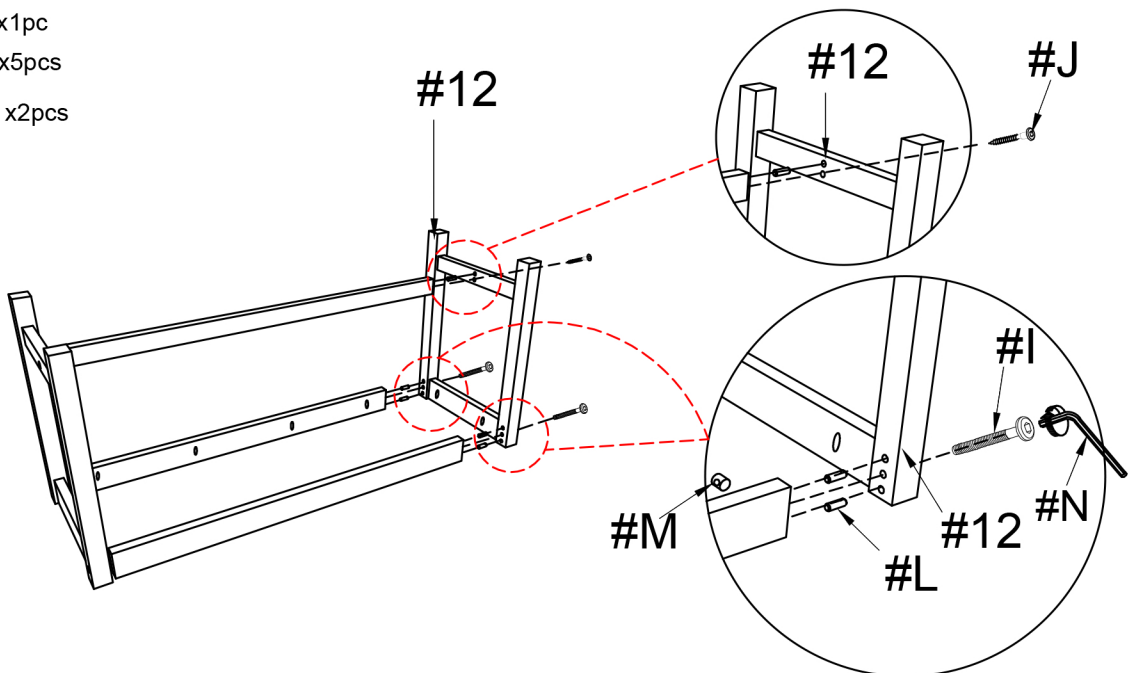
Insert dowels (#L) to the end of aprons (#10) and stretcher (#11), then align bench leg (#12) to the aprons and stretcher. Secure by using bolts (#I) to barrel nuts (#M) from leg to apron and screws (#J) from leg to stretcher.



2

- Part #12 x1pc
Hardware #I x2pcs
Hardware #J x1pc
Hardware #L x5pcs
Hardware #M x2pcs

Insert dowels (#L) to the other end of apron (#10) and stretcher (#11), then align bench leg (#12) to the aprons and stretcher. Secure by using bolts (#I) to barrel nuts (#M) from leg to apron and screws (#J) from leg to stretcher.

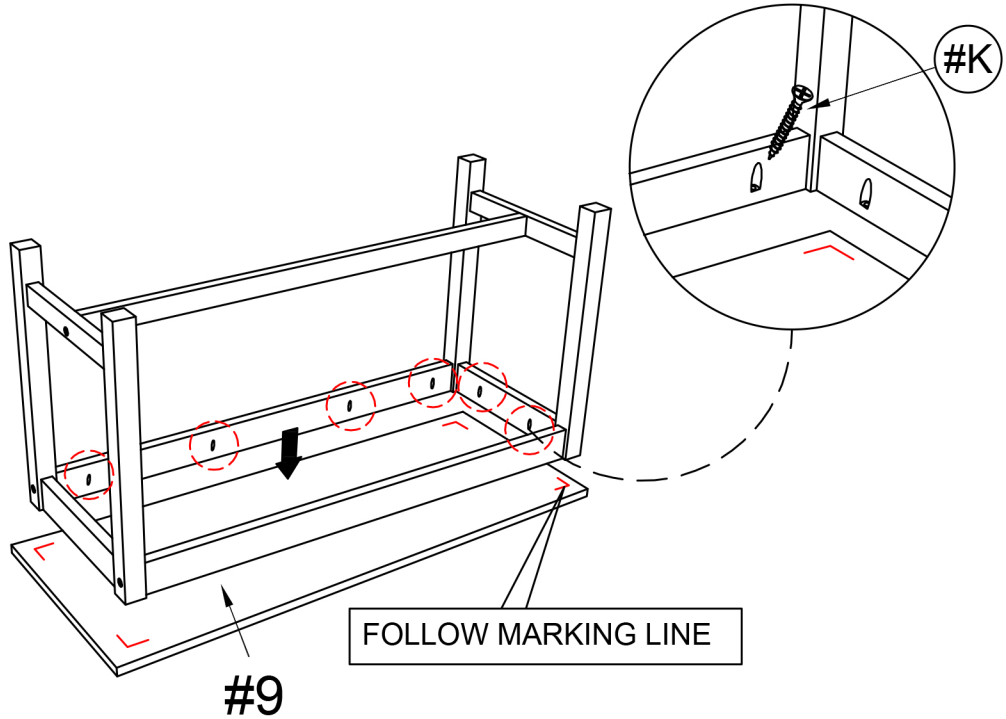


ASSEMBLY INSTRUCTIONS

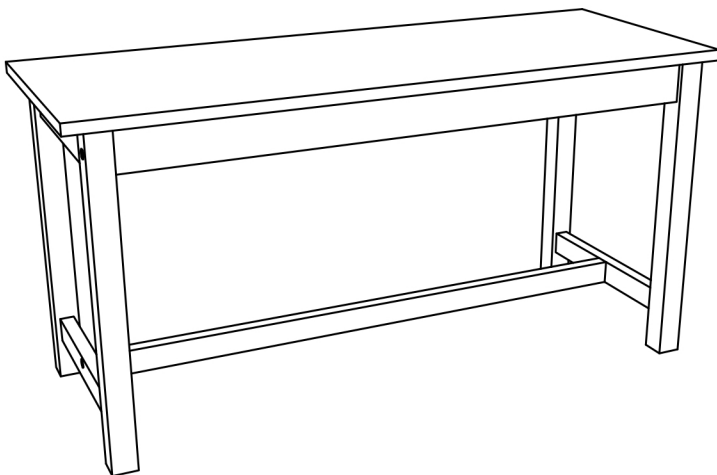
3

Part #9 x1pc
Hardware #K x12pcs

Align frame to the bench (#9), then secure by using screws (#K). There will be no pre-drilled holes.



4



ASSEMBLY COMPLETED



Please ensure the furniture rests on an even and flat surface. If the product wobbles or feels loose, double-check all bolts and/or screws are properly tightened and secured.



Keep this handy!

Please retain this instruction manual and any order-related information for future reference.



Lift, don't drag!

To avoid damage to product please always LIFT the product when transporting or adjusting the placement.