
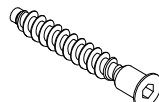
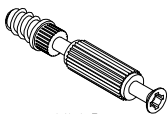

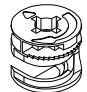
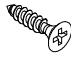



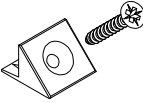
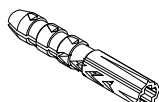
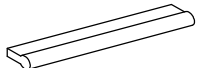

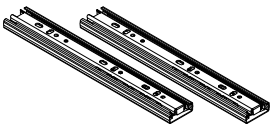
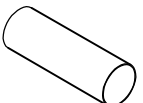
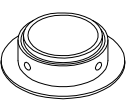
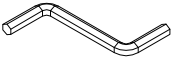
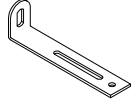
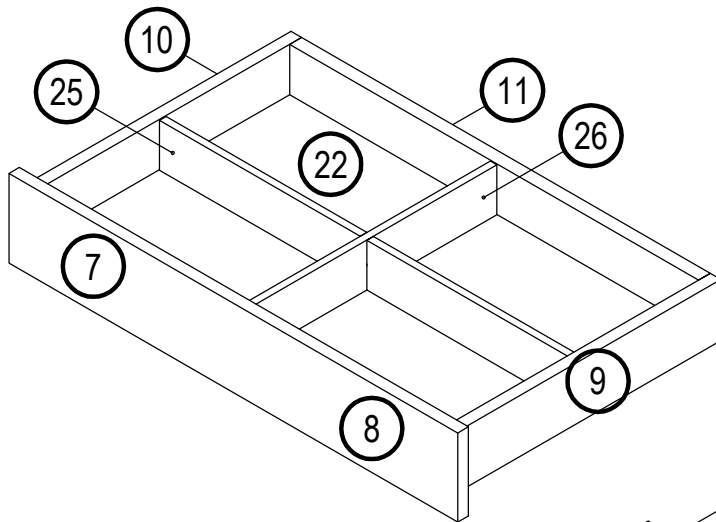
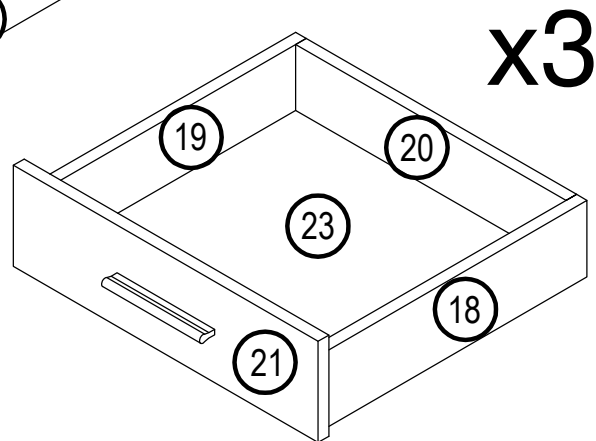
 <b>A1</b> $\frac{8*30mm}{0.31*1.2in}$ x58	 <b>B</b> $\frac{\phi 12mm}{\phi 0.47in}$ x19	 <b>B1</b> $\frac{6.3*50mm}{0.25*2.0in}$ x19
 <b>C1</b> $\frac{6*43mm}{0.24*1.7in}$ x35	 <b>D</b> $\frac{\phi 20mm}{\phi 0.79in}$ x35	 <b>D1</b> $\frac{15x11mm}{0.59*0.43in}$ x35
 <b>E5</b> $\frac{3.5*16mm}{0.14*0.63in}$ x40	 <b>E14</b> $\frac{4*25mm}{0.16*0.98in}$ x6	 <b>2E</b> $\frac{4.2*16mm}{0.17*0.63in}$ x6
 <b>4E</b> $\frac{4.2*51mm}{0.17*2.01in}$ x1	 <b>H2</b> x18	 <b>H5</b> $\frac{8*50mm}{0.31*2.0in}$ x1
 <b>I9</b> $\frac{148mm}{5.9in}$ x3	 <b>K1</b> $\frac{14*23mm}{0.55*0.91in}$ x7	 <b>M2</b> $\frac{400mm}{15.75in}$ x5
 <b>P2</b> $\frac{50*158mm}{1.97*6.22in}$ x1	 <b>P9</b> $\frac{\phi 50mm}{\phi 1.97in}$ x2	 <b>R4</b> N°4 x1
 <b>S16</b> $\frac{77x21x15}{3.0x0.8x0.6in}$ x1		

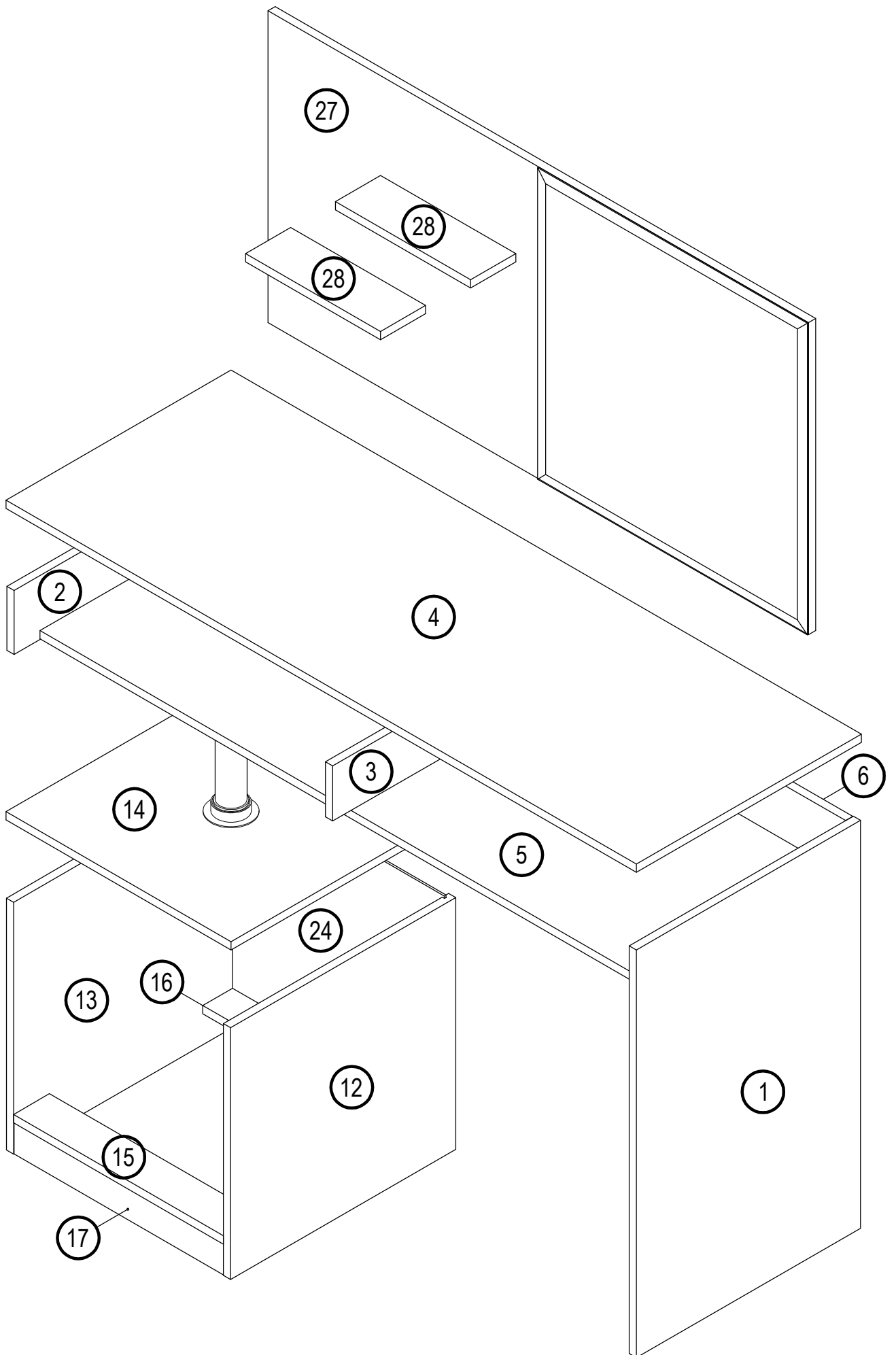
N°	a*b	x	N°	a*b	x	N°	a*b	x
1	$\frac{784*498}{30.9*19.6in}$	1	11	$\frac{617*80}{24.3*3.1in}$	2	21	$\frac{460*132}{18.1*5.2in}$	3
2	$\frac{123*498}{4.8*19.6in}$	1	12	$\frac{484*500}{19.1*19.7in}$	1	22	$\frac{393*626}{15.5*24.6in}$	2
3	$\frac{106*464}{4.2*18.3in}$	1	13	$\frac{484*500}{19.1*19.7in}$	1	23	$\frac{393*417}{15.5*16.4in}$	3
4	$\frac{1400*500}{55.1*19.7in}$	1	14	$\frac{500*500}{19.7*19.7in}$	1	24	$\frac{475*417}{18.7*16.4in}$	1
5	$\frac{1366*440}{53.8*17.3in}$	1	15	$\frac{466*80}{18.3*3.1in}$	1	25	$\frac{616*65}{24.3*2.4in}$	2
6	$\frac{1366*106}{53.8*4.2in}$	1	16	$\frac{466*80}{18.3*3.1in}$	1	26	$\frac{383*65}{15.1*2.4in}$	2
7	$\frac{678*117}{26.7*4.6in}$	1	17	$\frac{466*60}{18.3*2.4in}$	1	27	$\frac{1200*600}{47.2*23.6in}$	1
8	$\frac{678*117}{26.7*4.6in}$	1	18	$\frac{400*100}{15.7*3.9in}$	3	28	$\frac{300*100}{11.8*3.9in}$	2
9	$\frac{400*80}{15.7*3.1in}$	2	19	$\frac{400*100}{15.7*3.9in}$	3			
10	$\frac{400*80}{15.7*3.1in}$	2	20	$\frac{408*100}{16.1*3.9in}$	3			



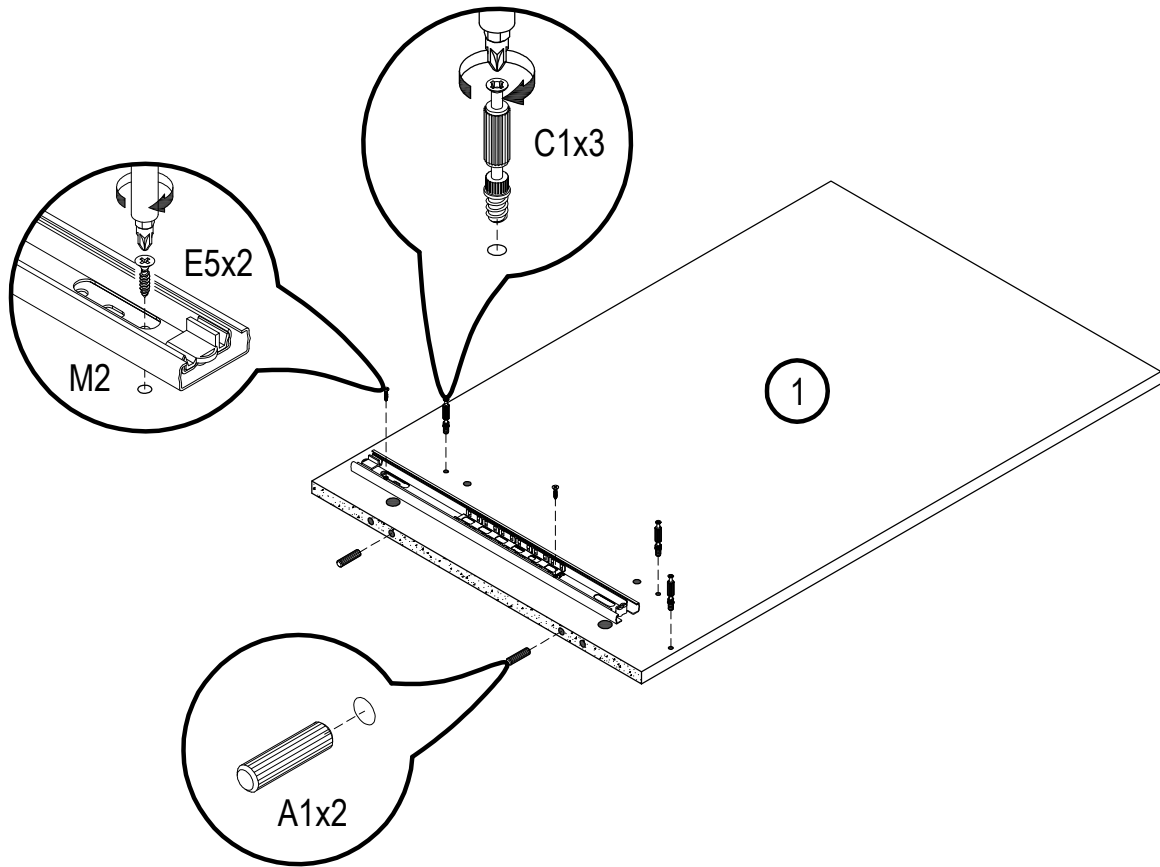
**x2**



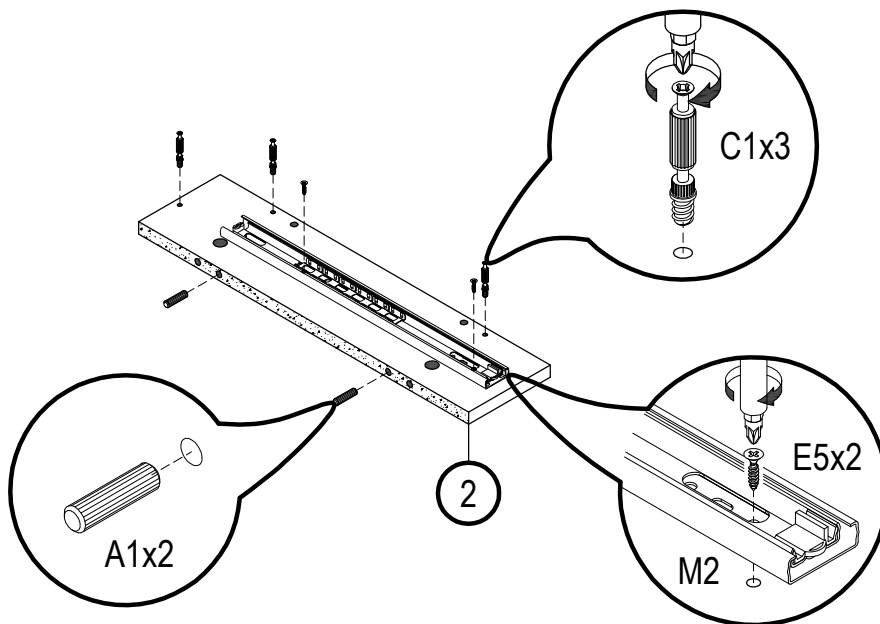
**x3**



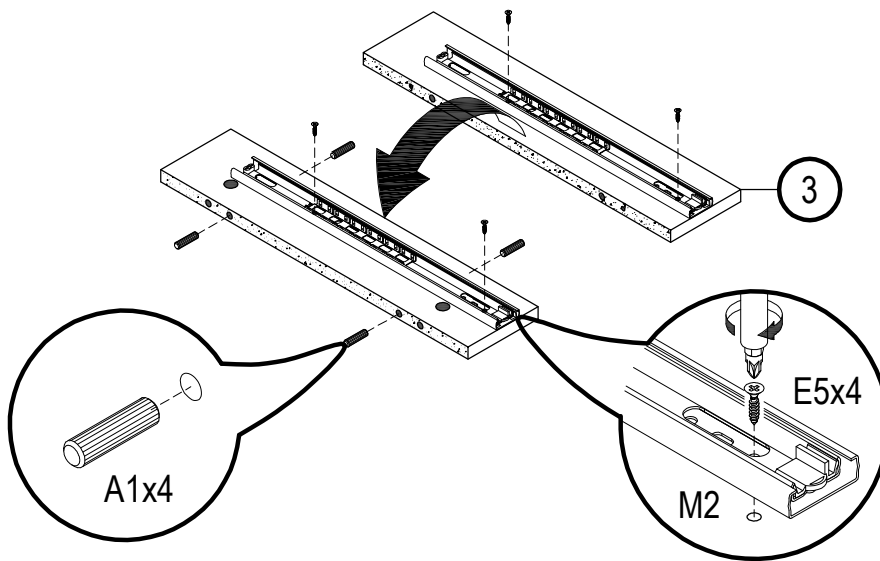
# 1



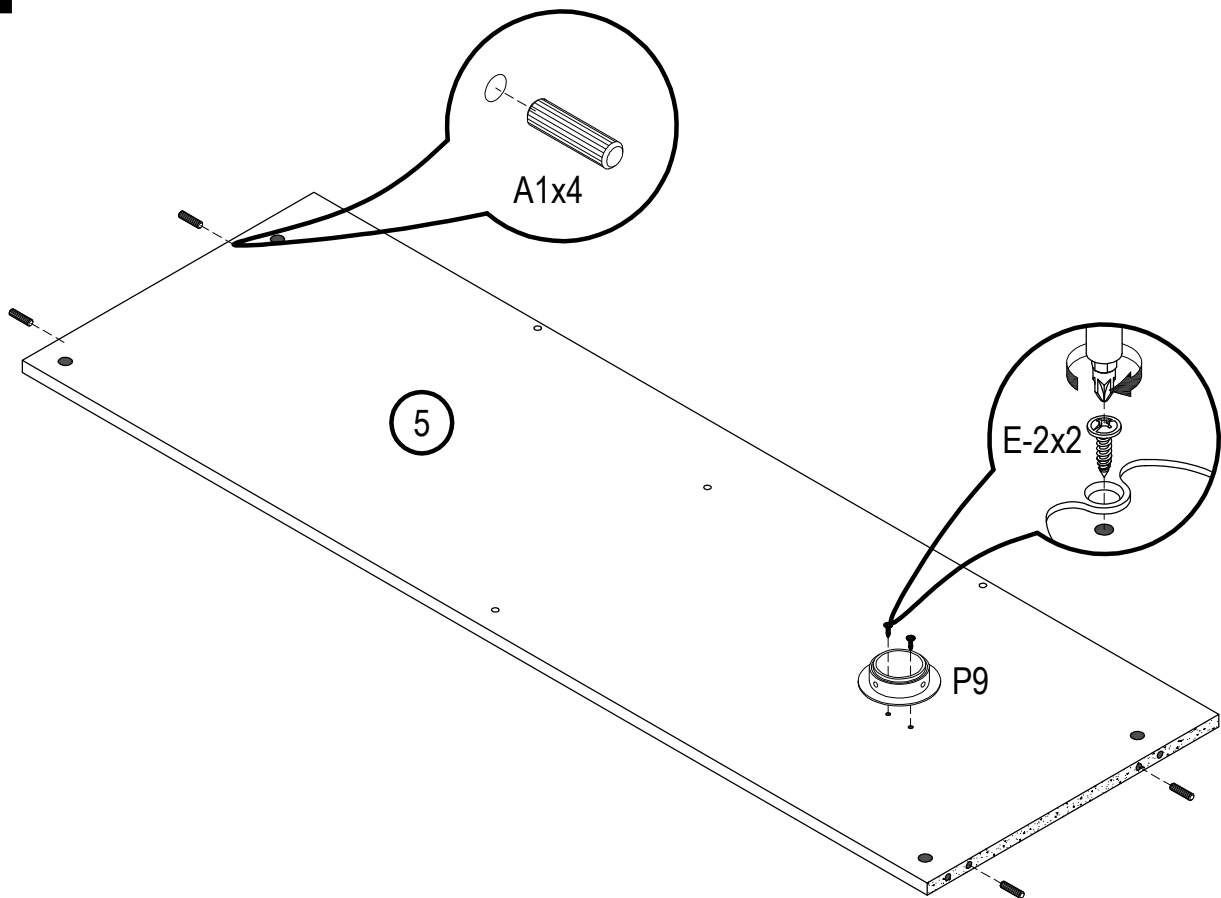
# 2

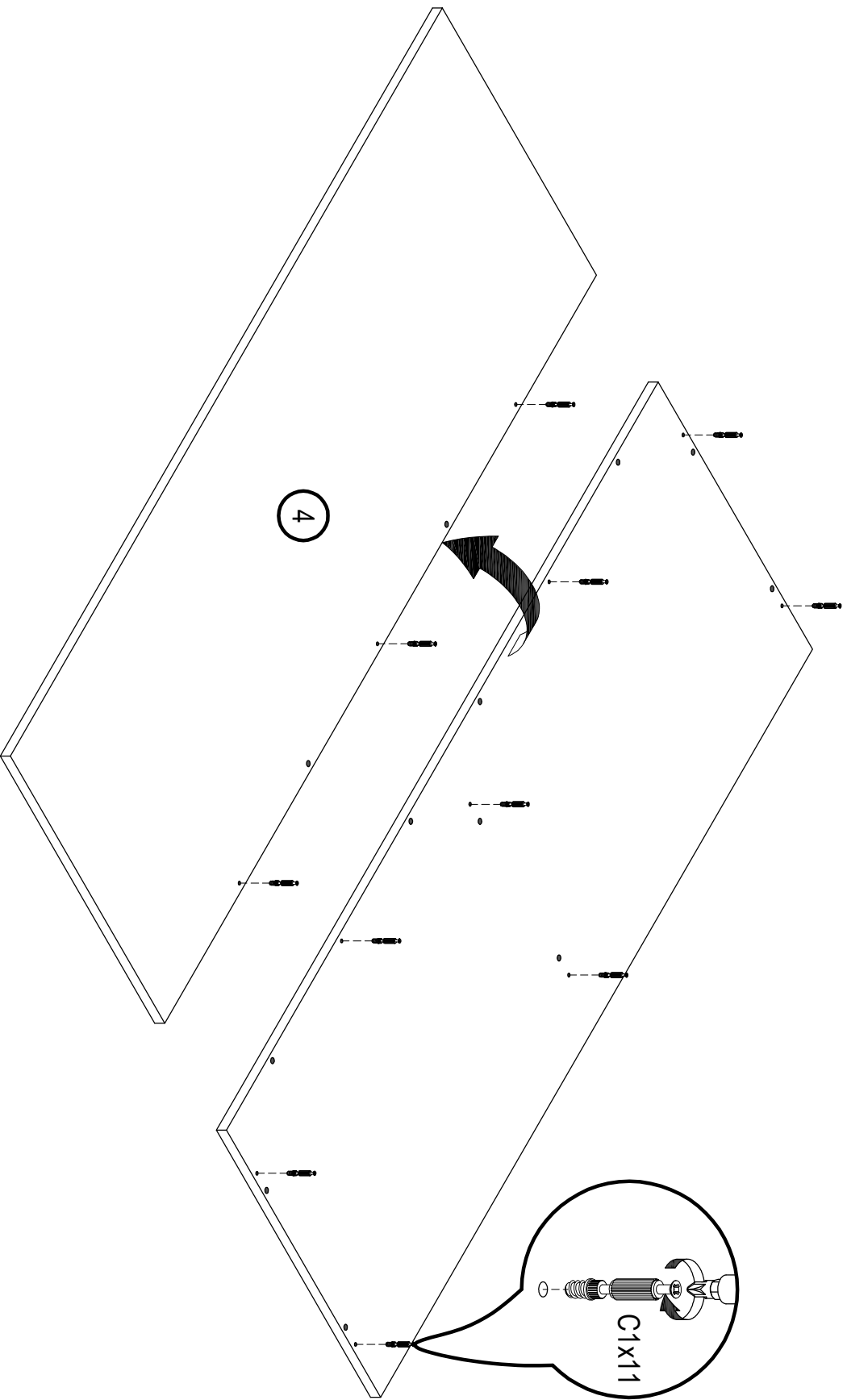


# 3

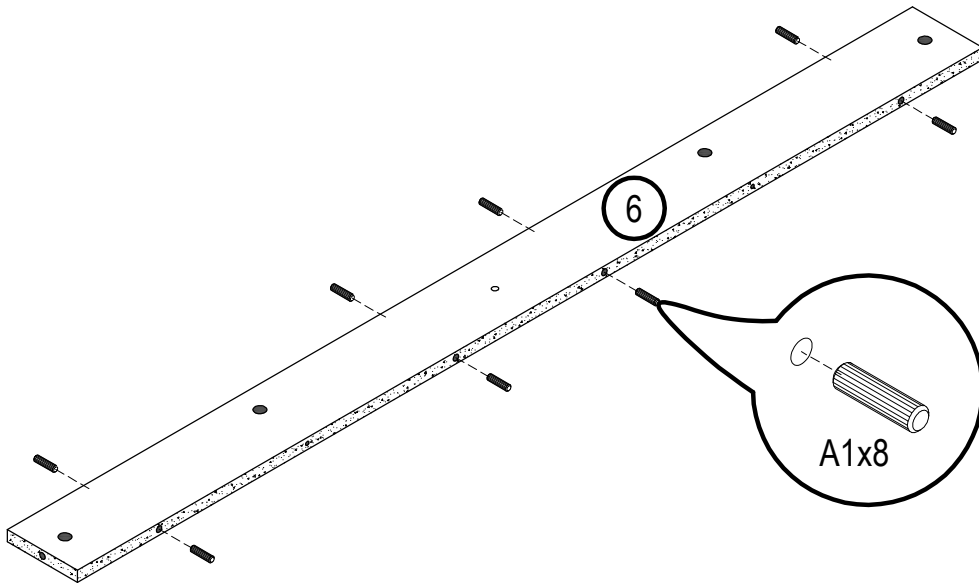


# 4

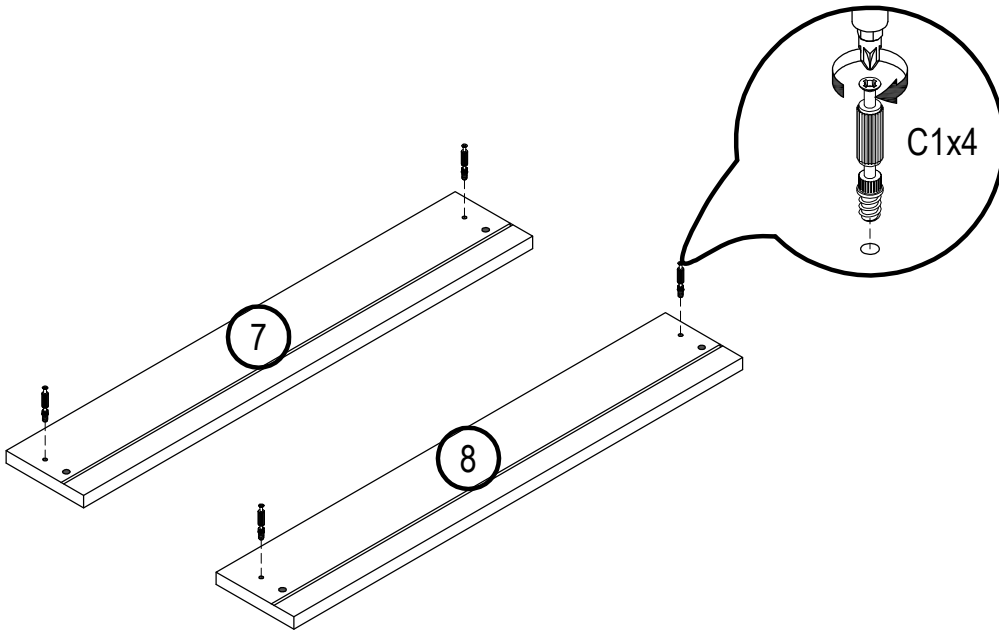




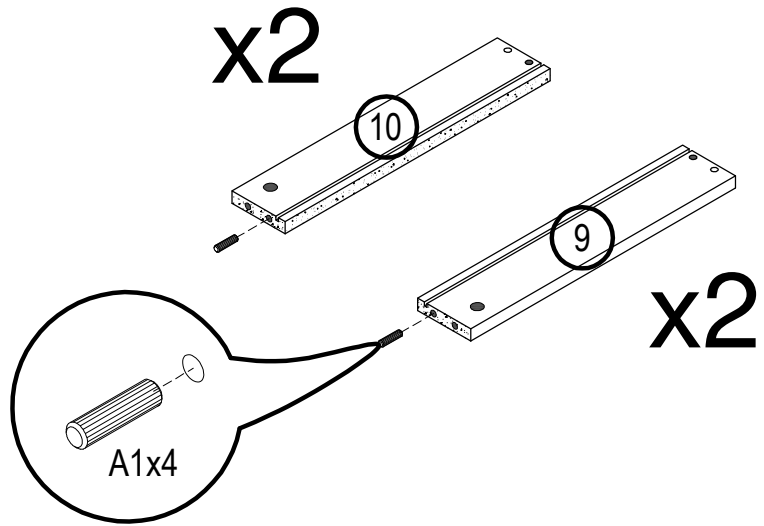
# 6



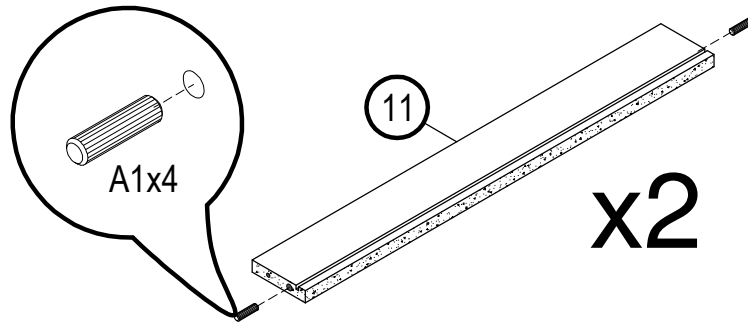
# 7



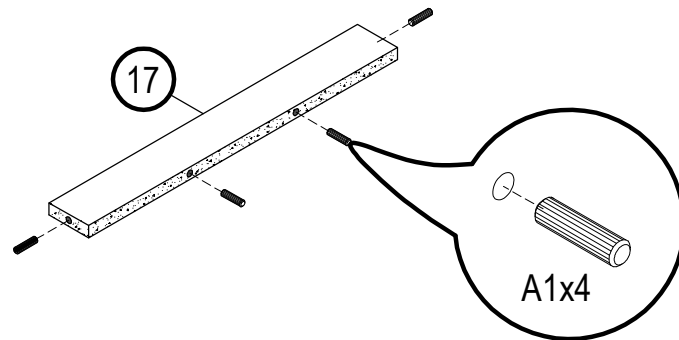
# 8

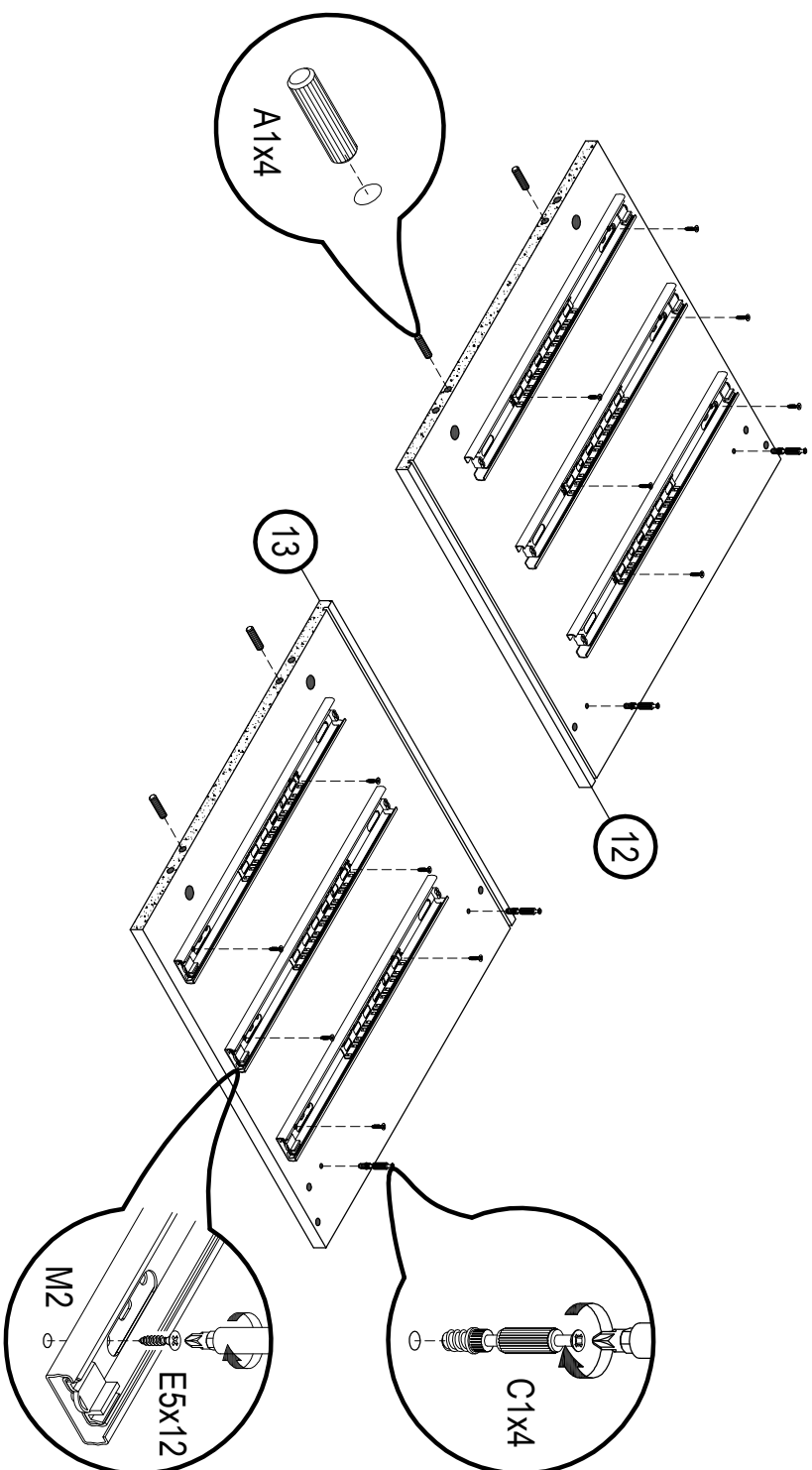


# 9

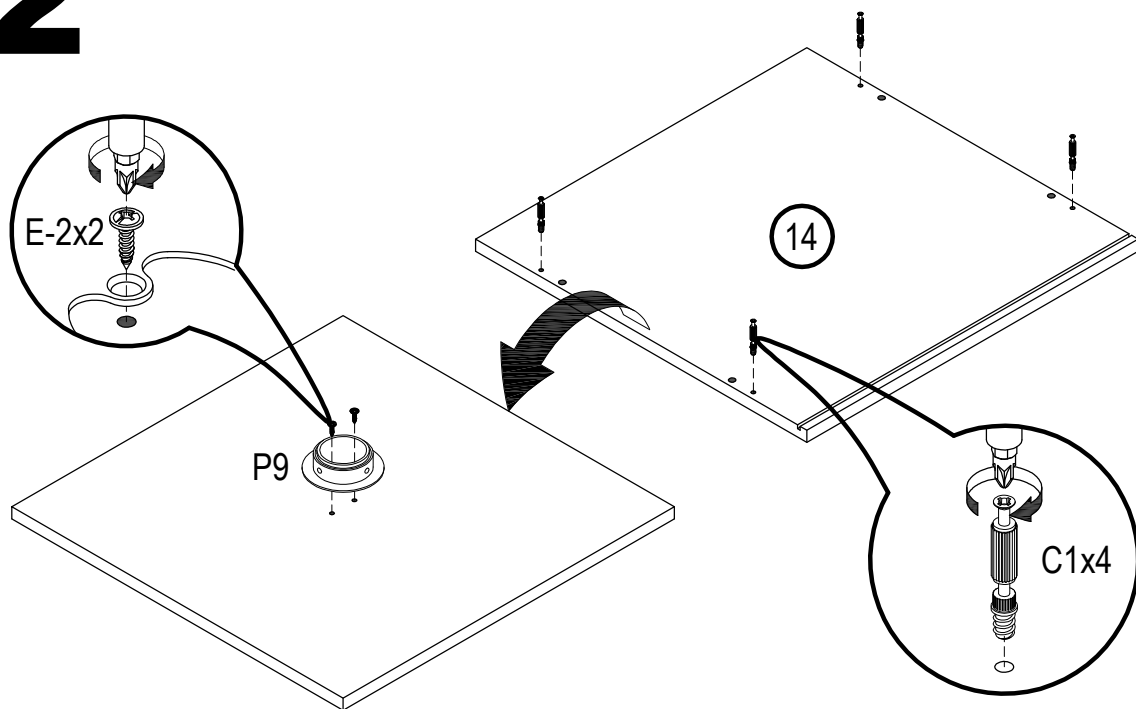


# 10

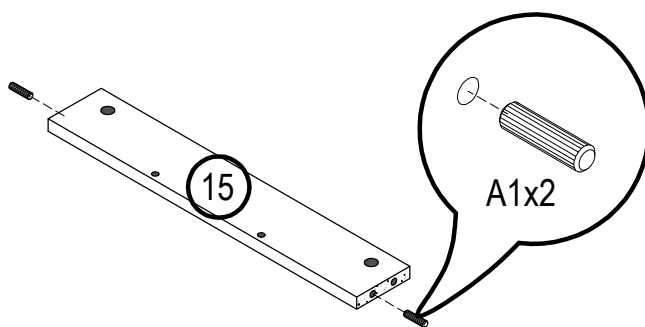




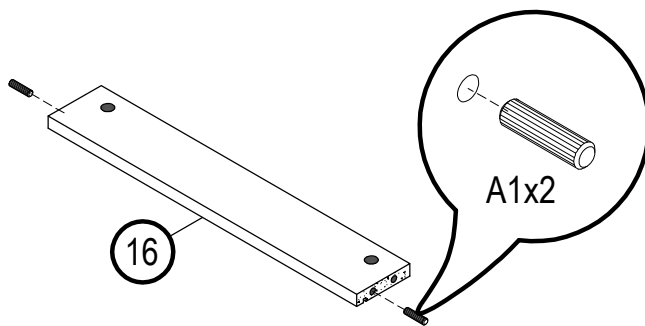
# 12



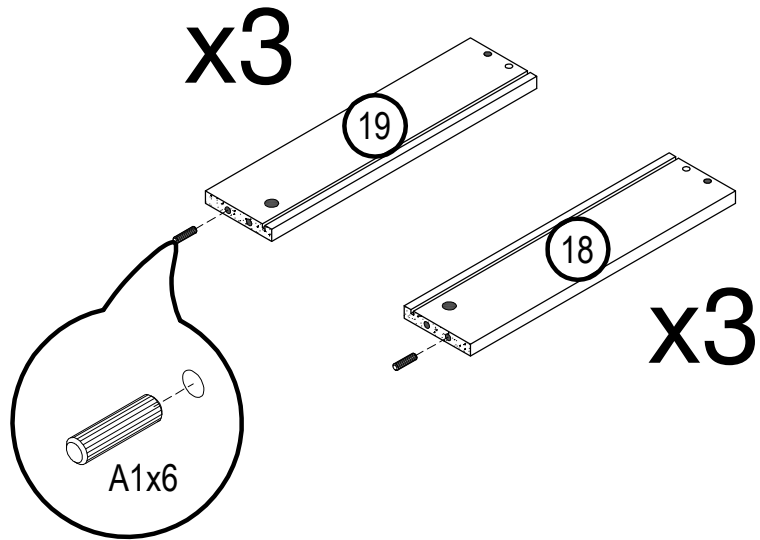
# 13



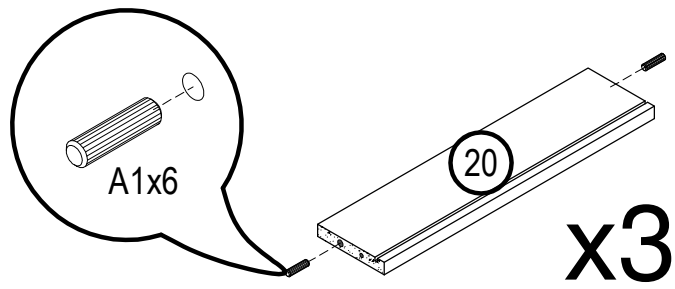
# 14



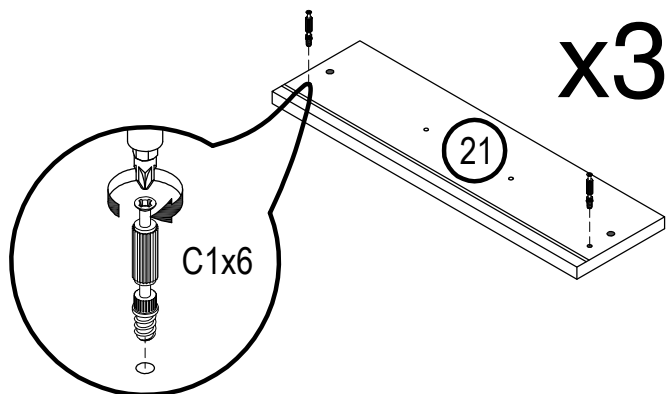
# 15



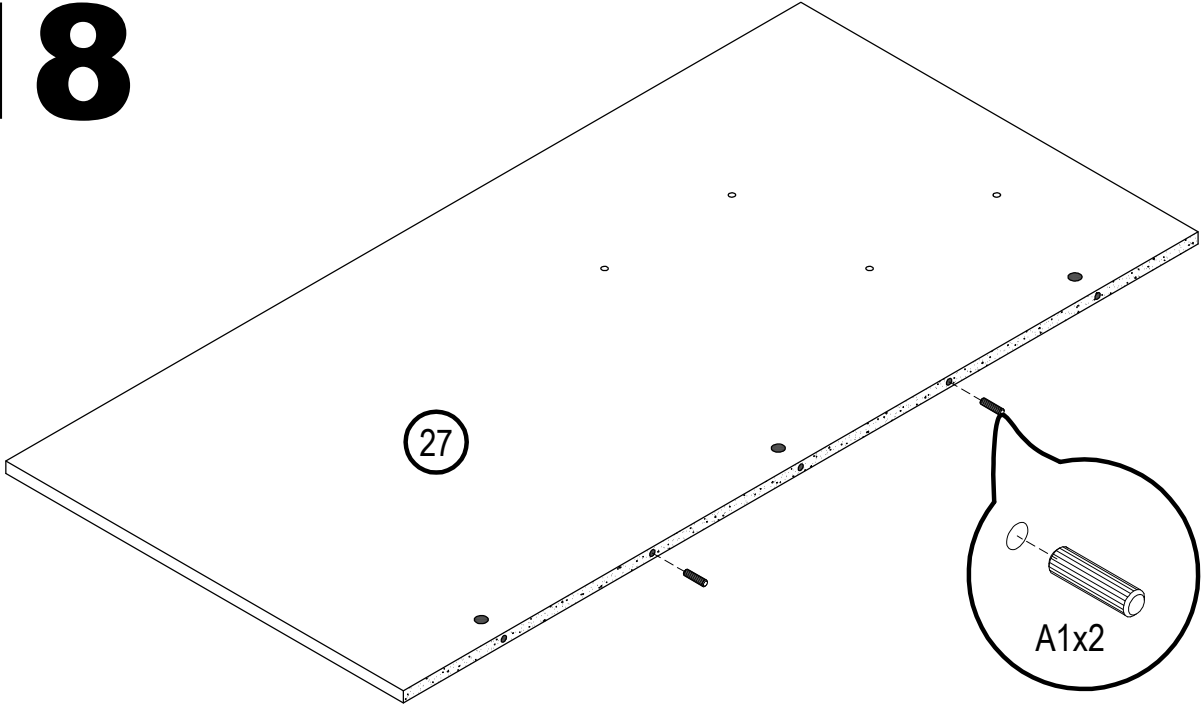
# 16



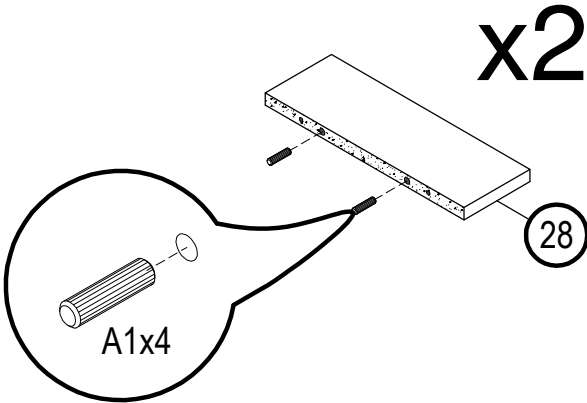
# 17



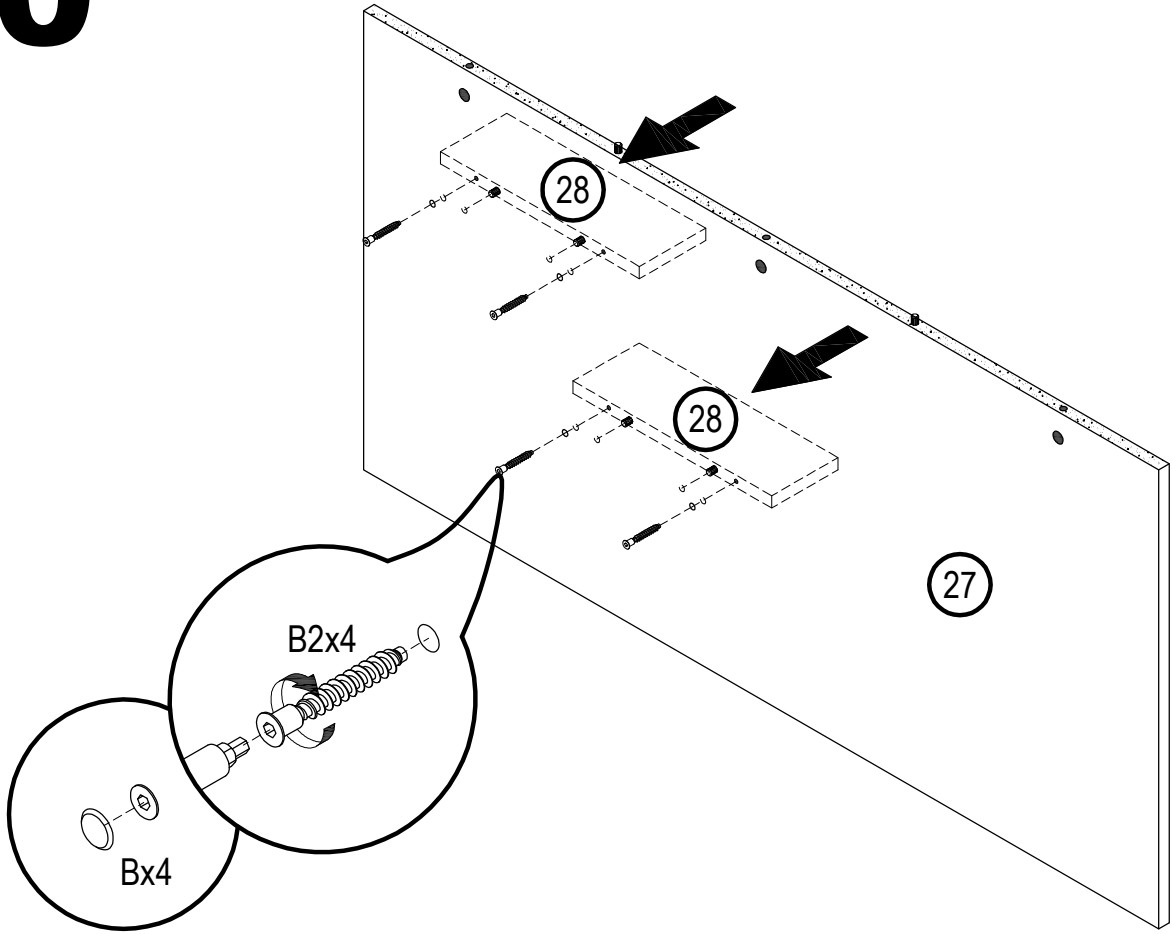
# 18



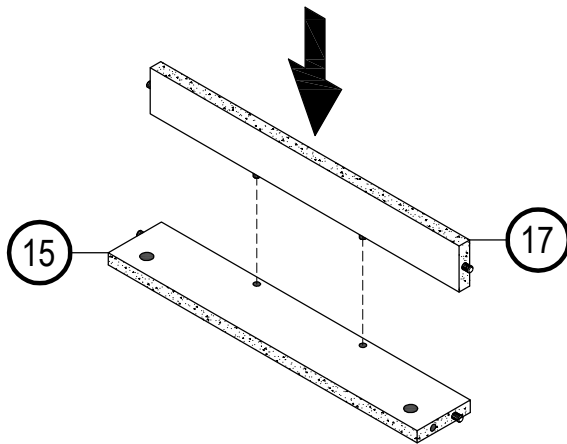
# 19



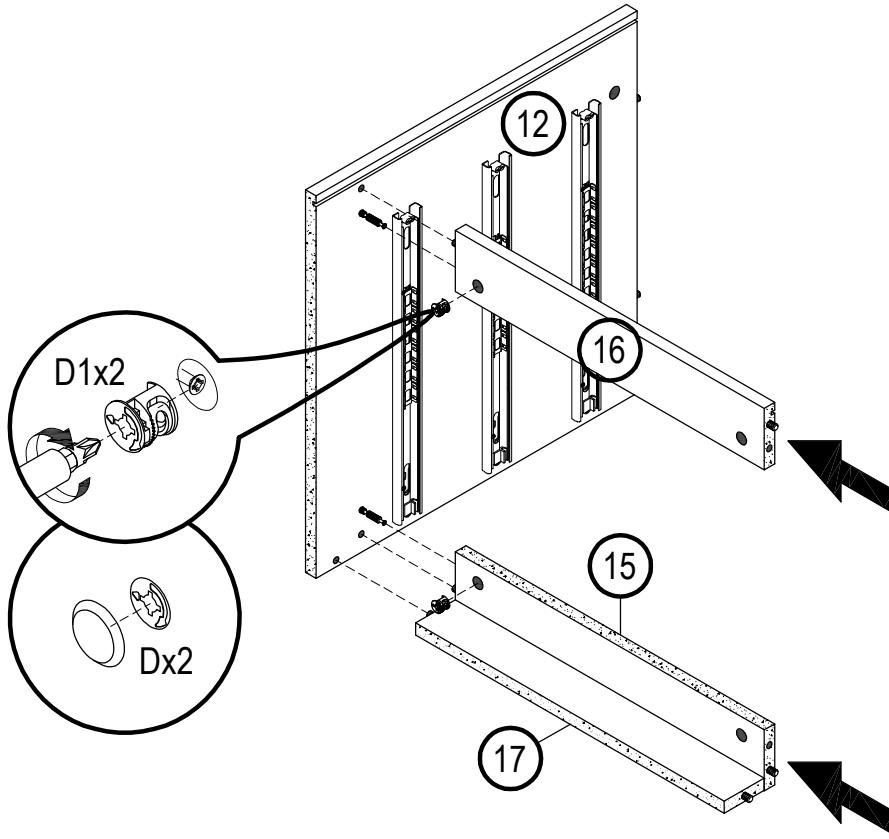
# 20



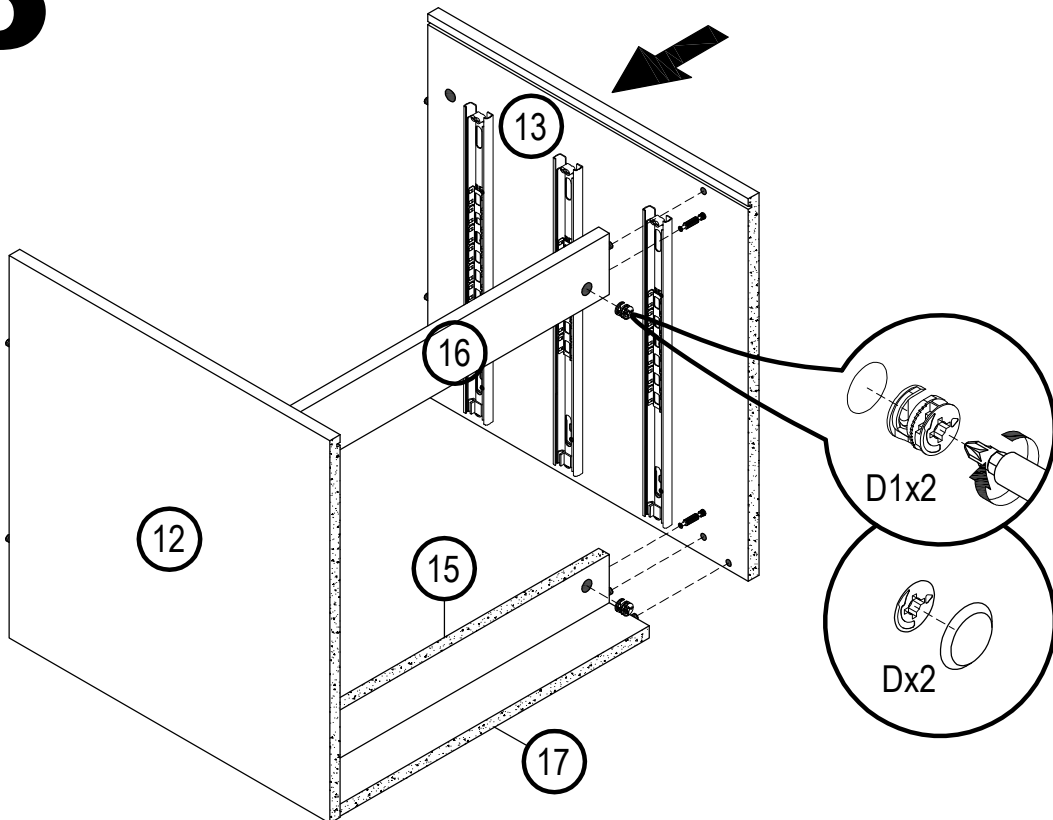
# 21



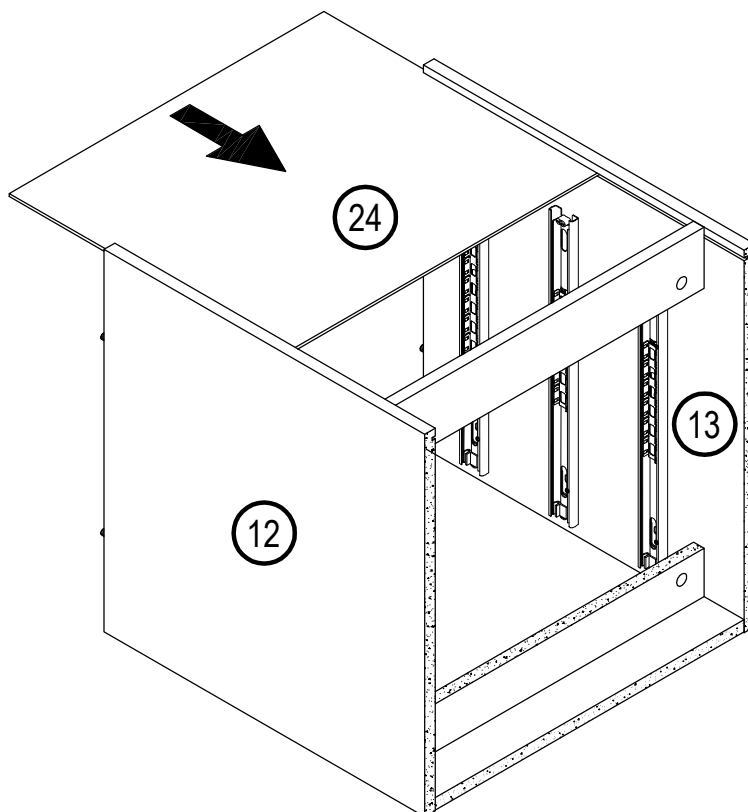
# 22



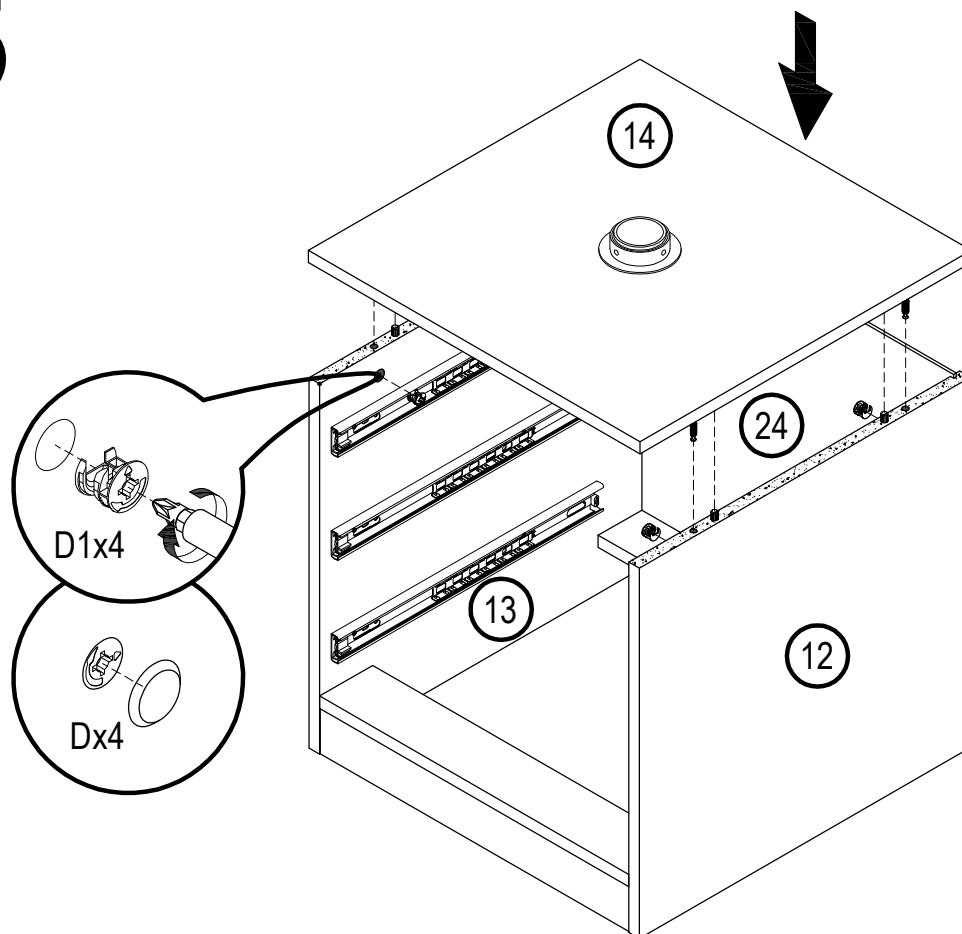
# 23



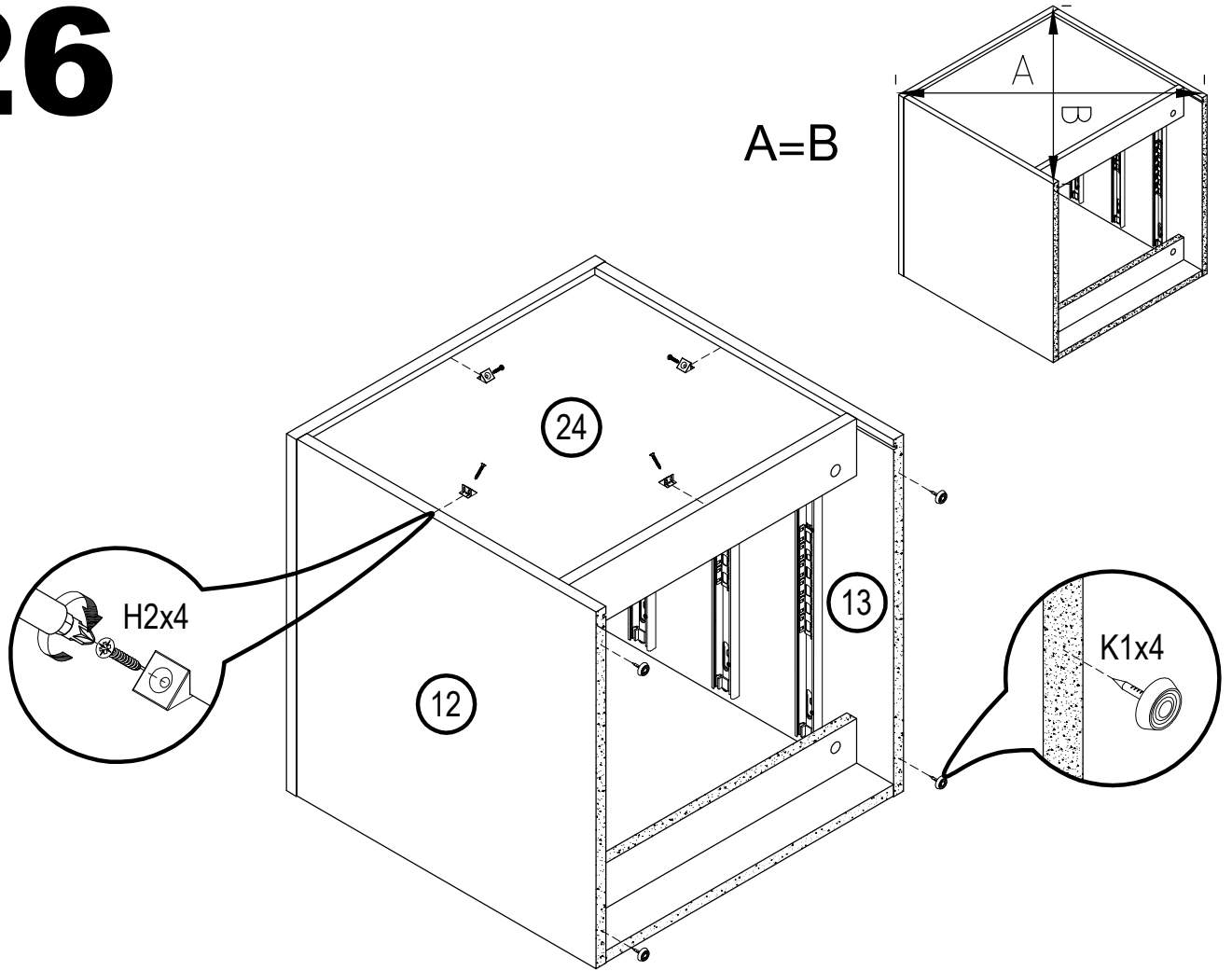
# 24



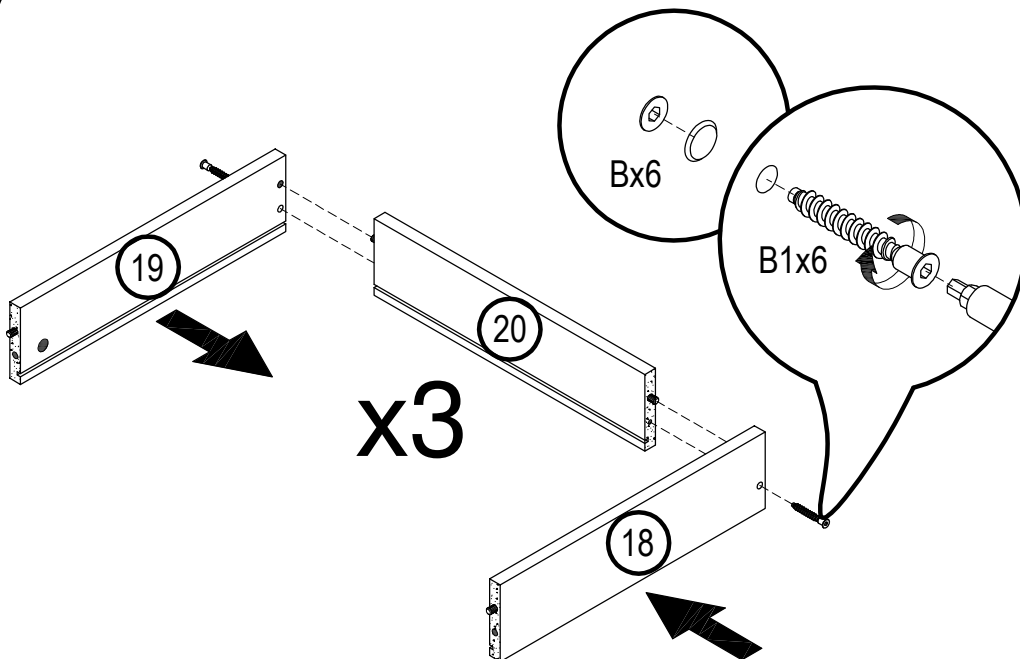
# 25



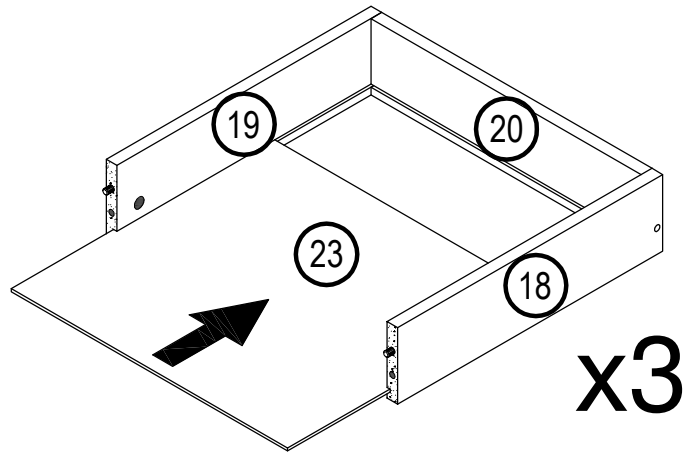
# 26



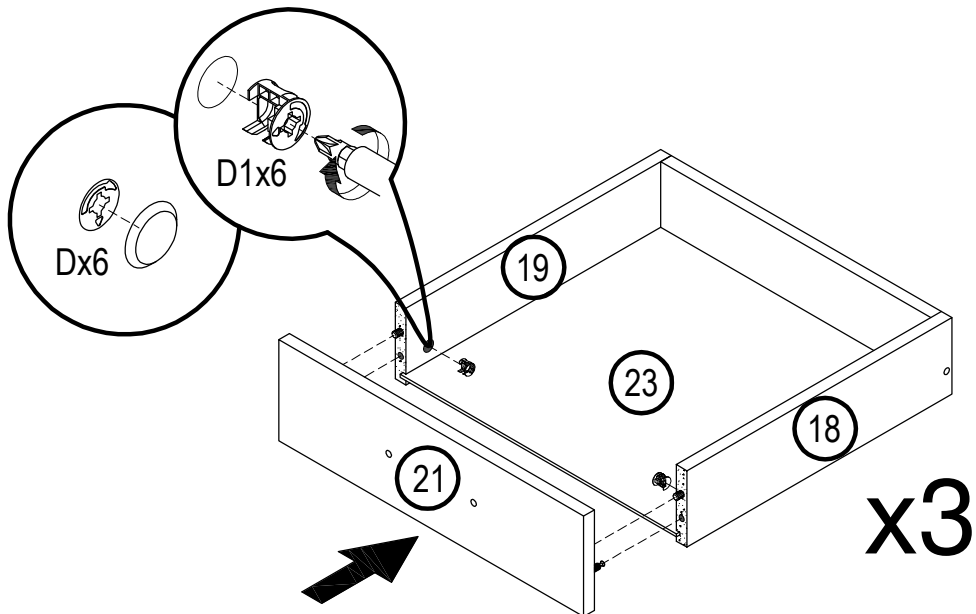
# 27



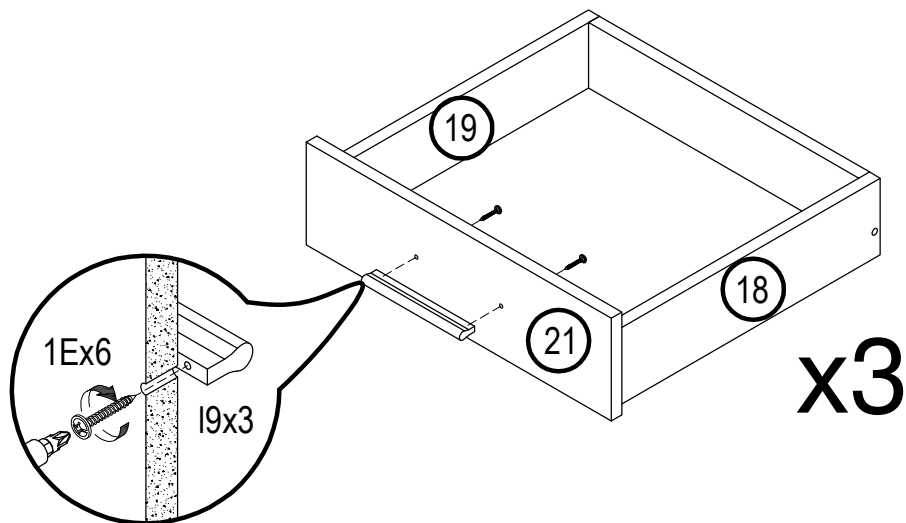
# 28



# 29

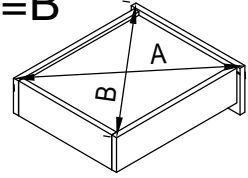


# 30

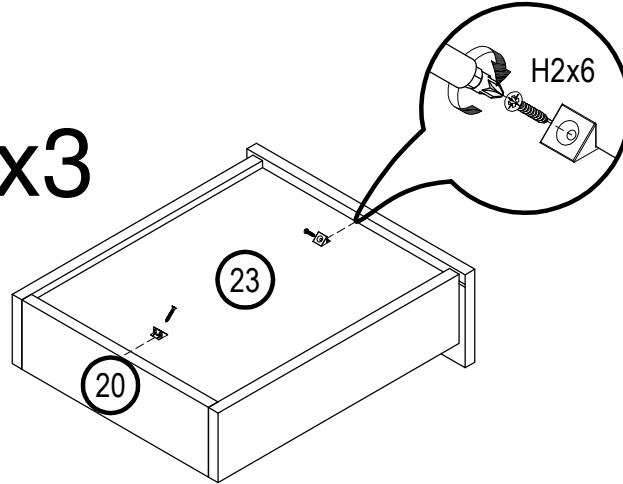


# 31

A=B

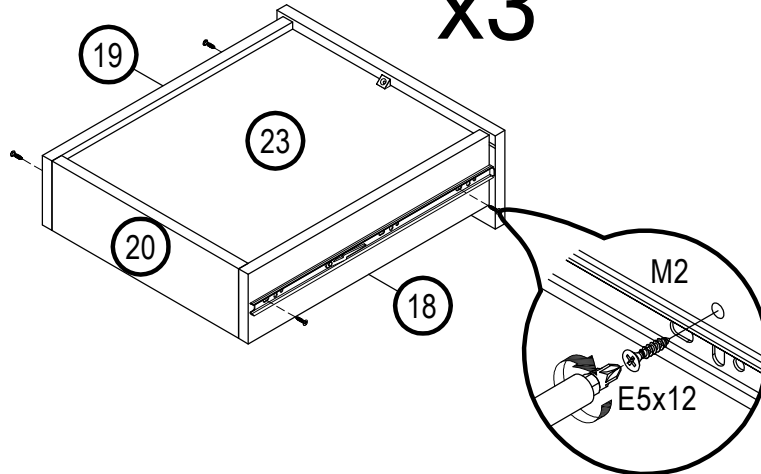


x3

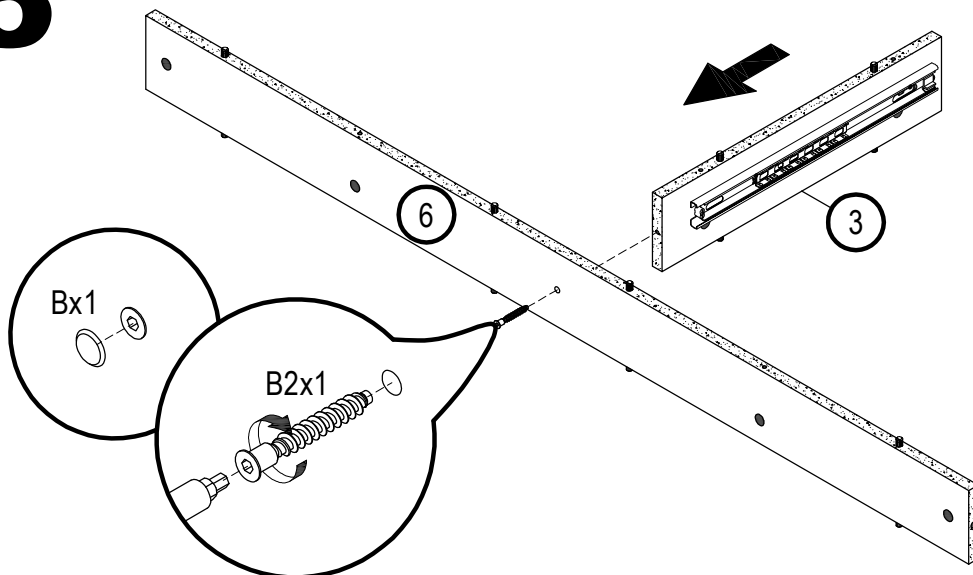


# 32

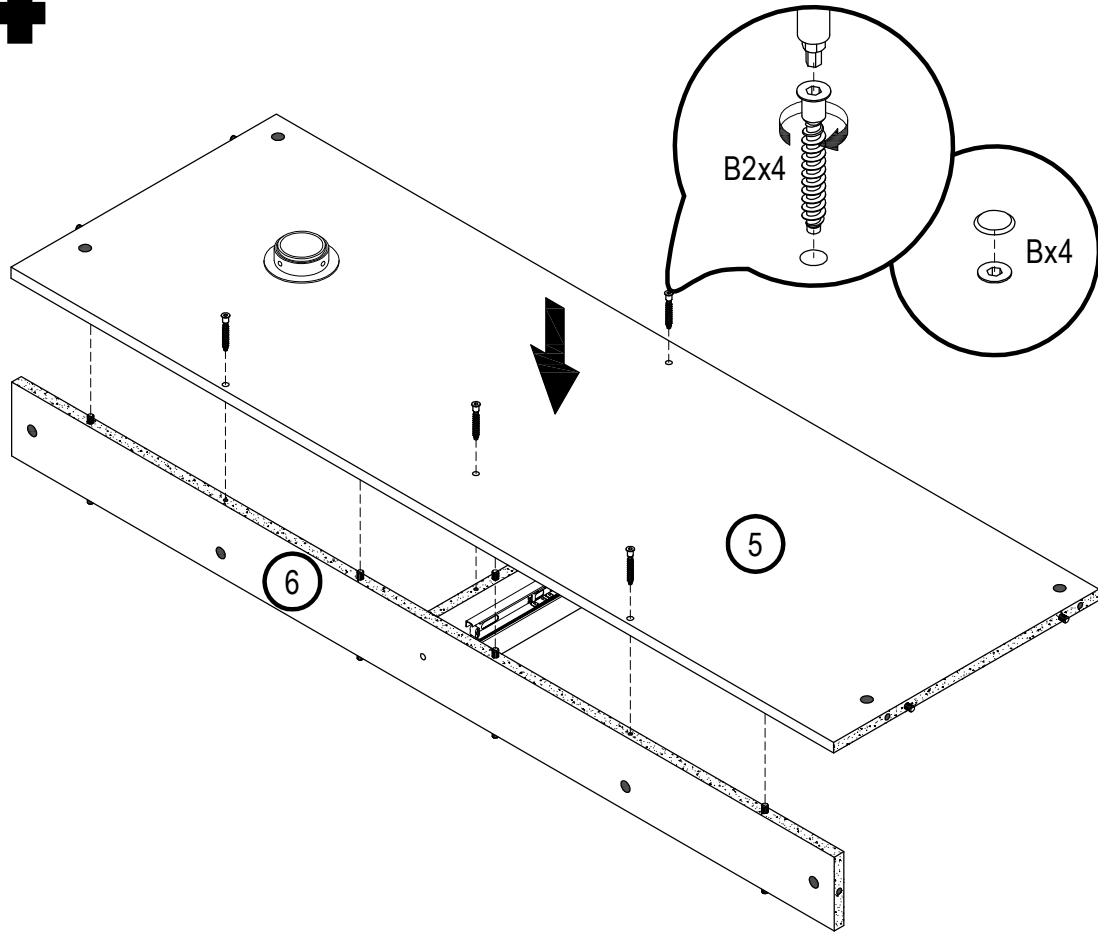
x3



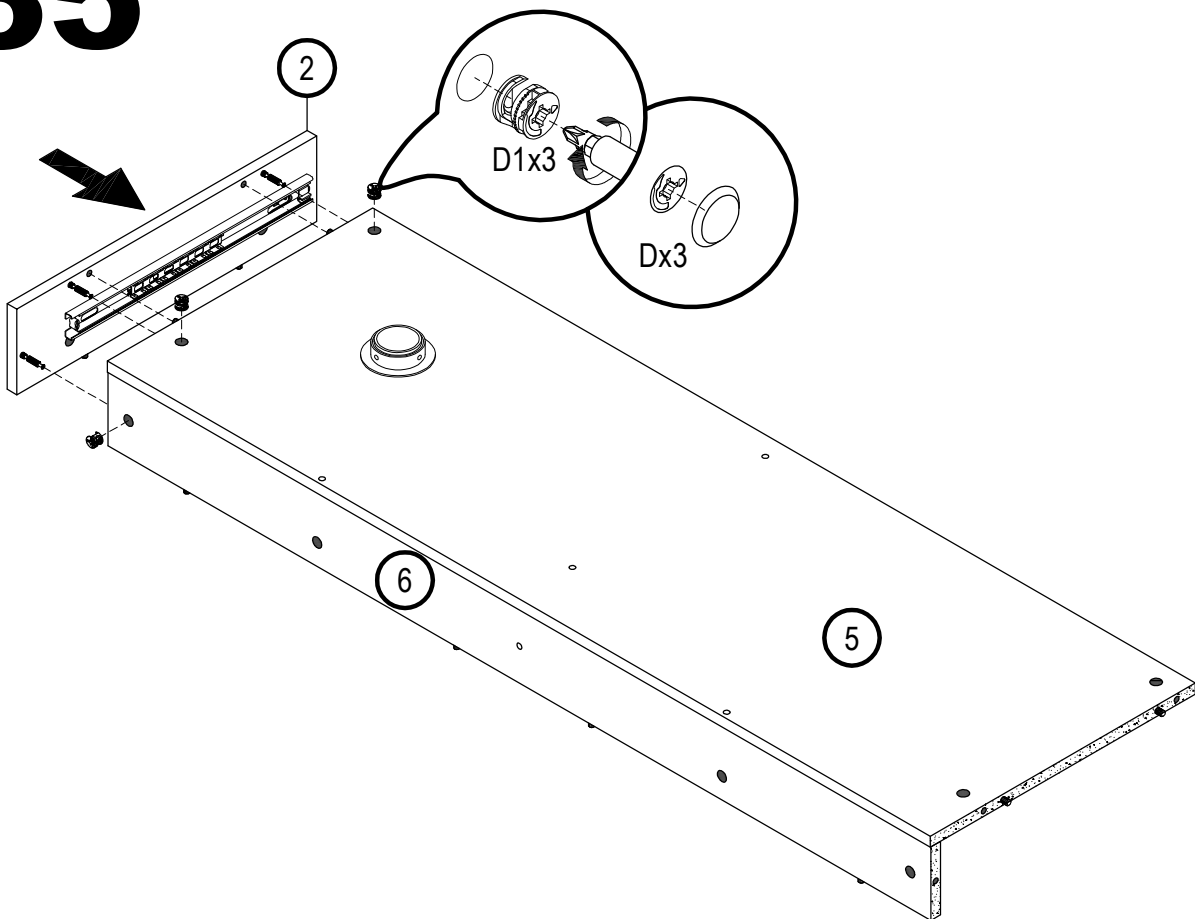
# 33



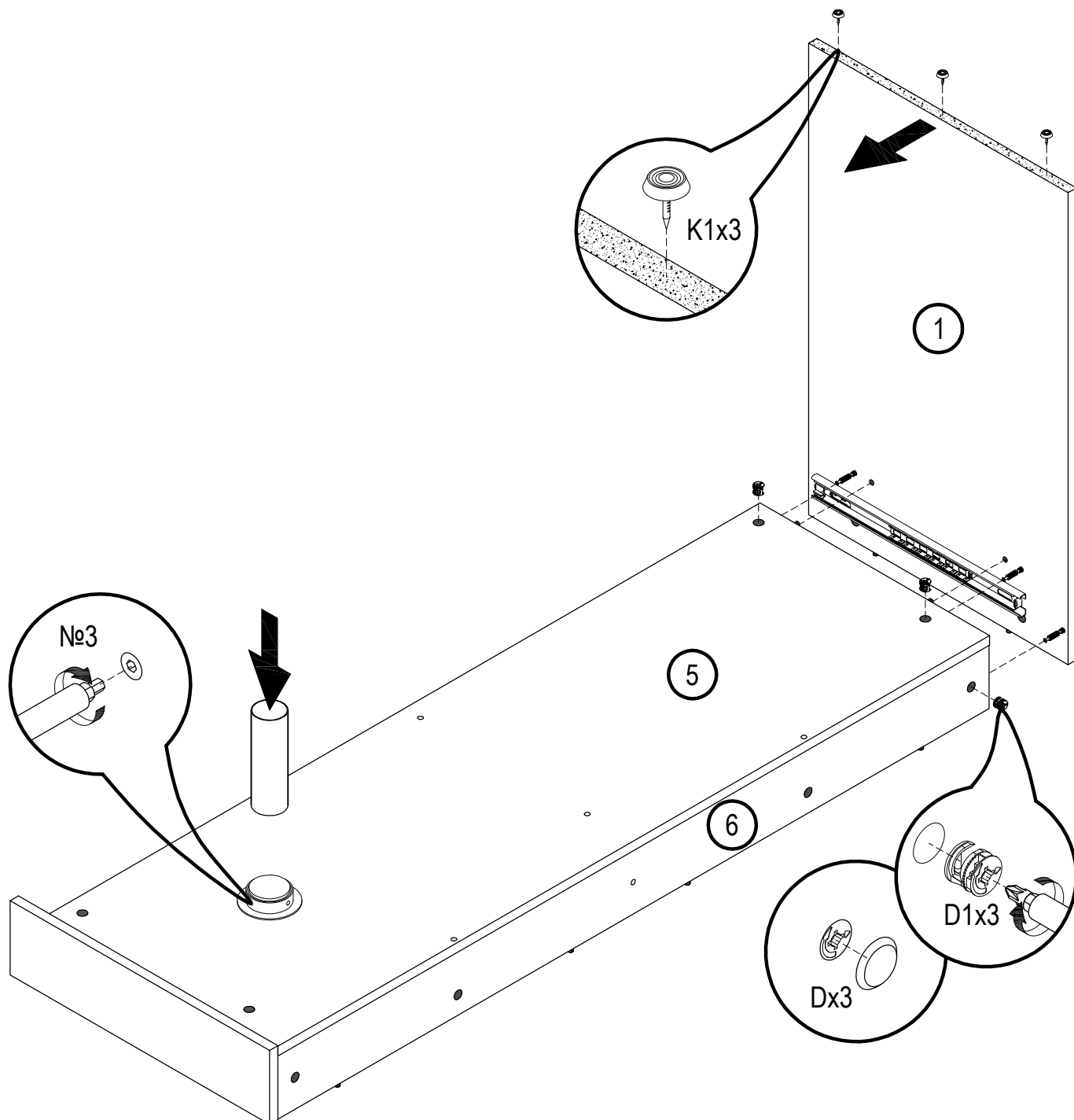
# 34



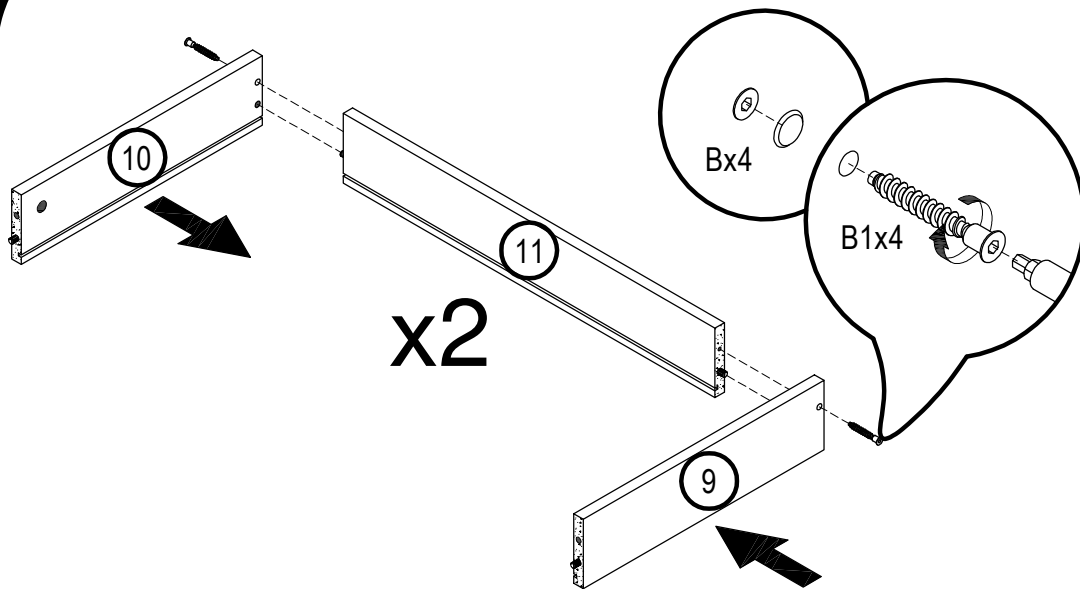
# 35



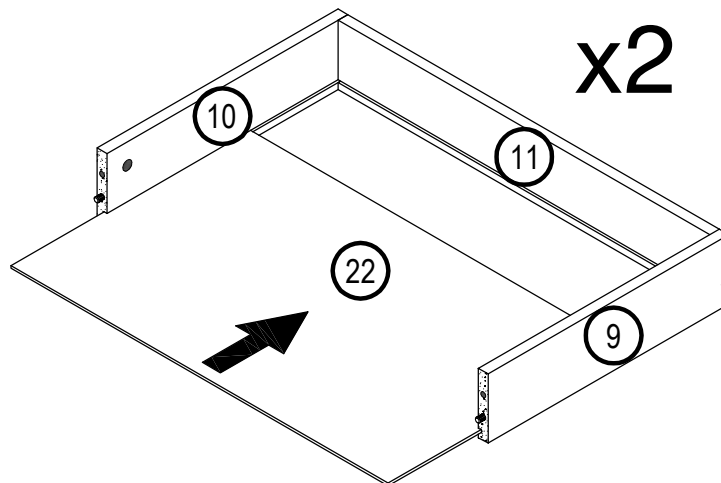
# 36



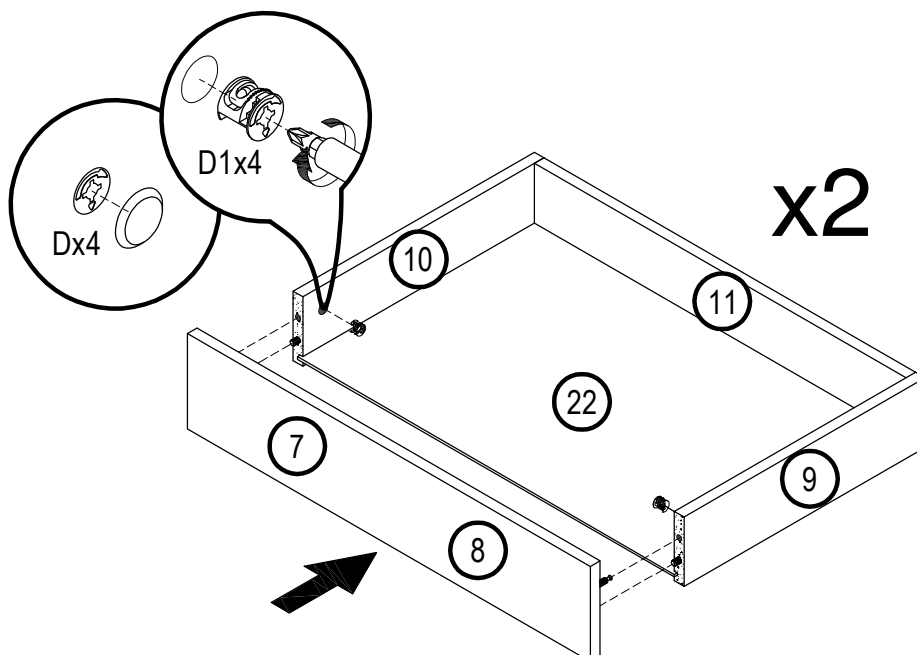
# 37



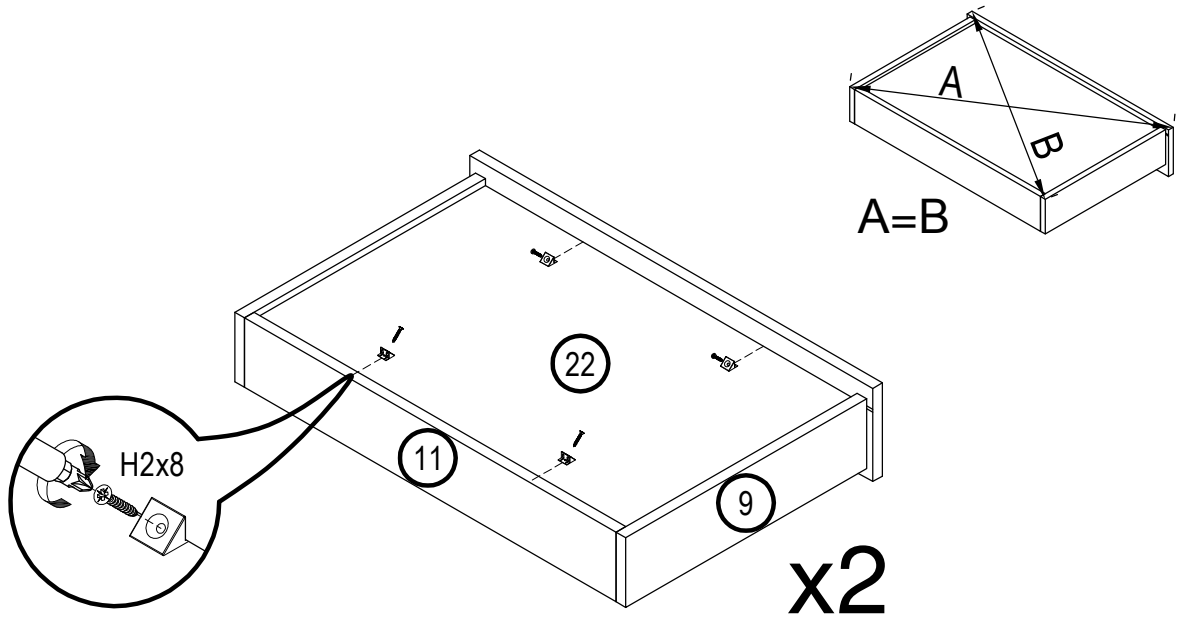
# 38



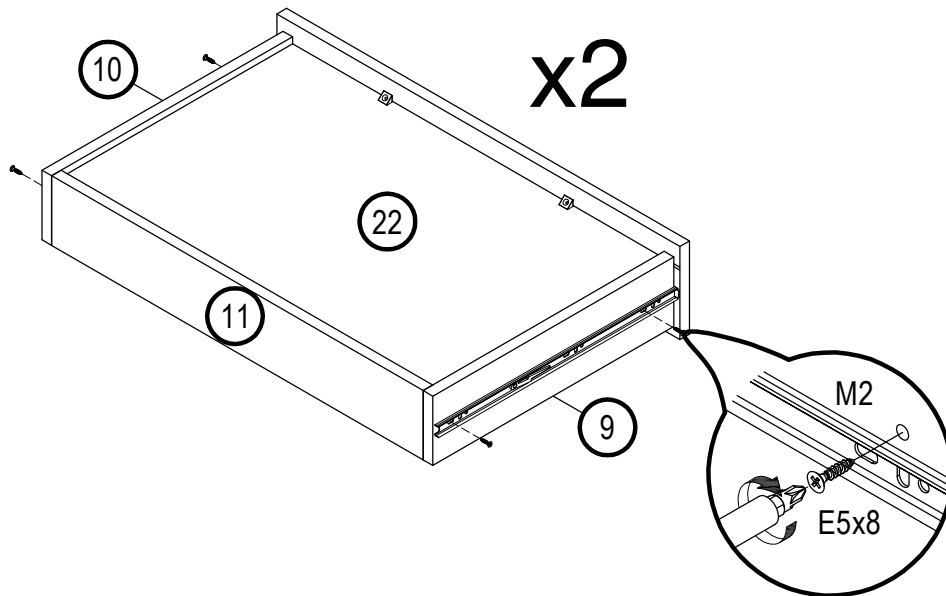
# 39



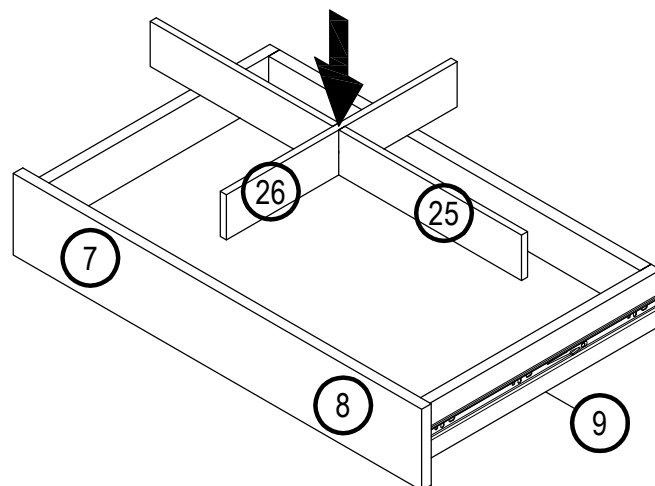
# 40



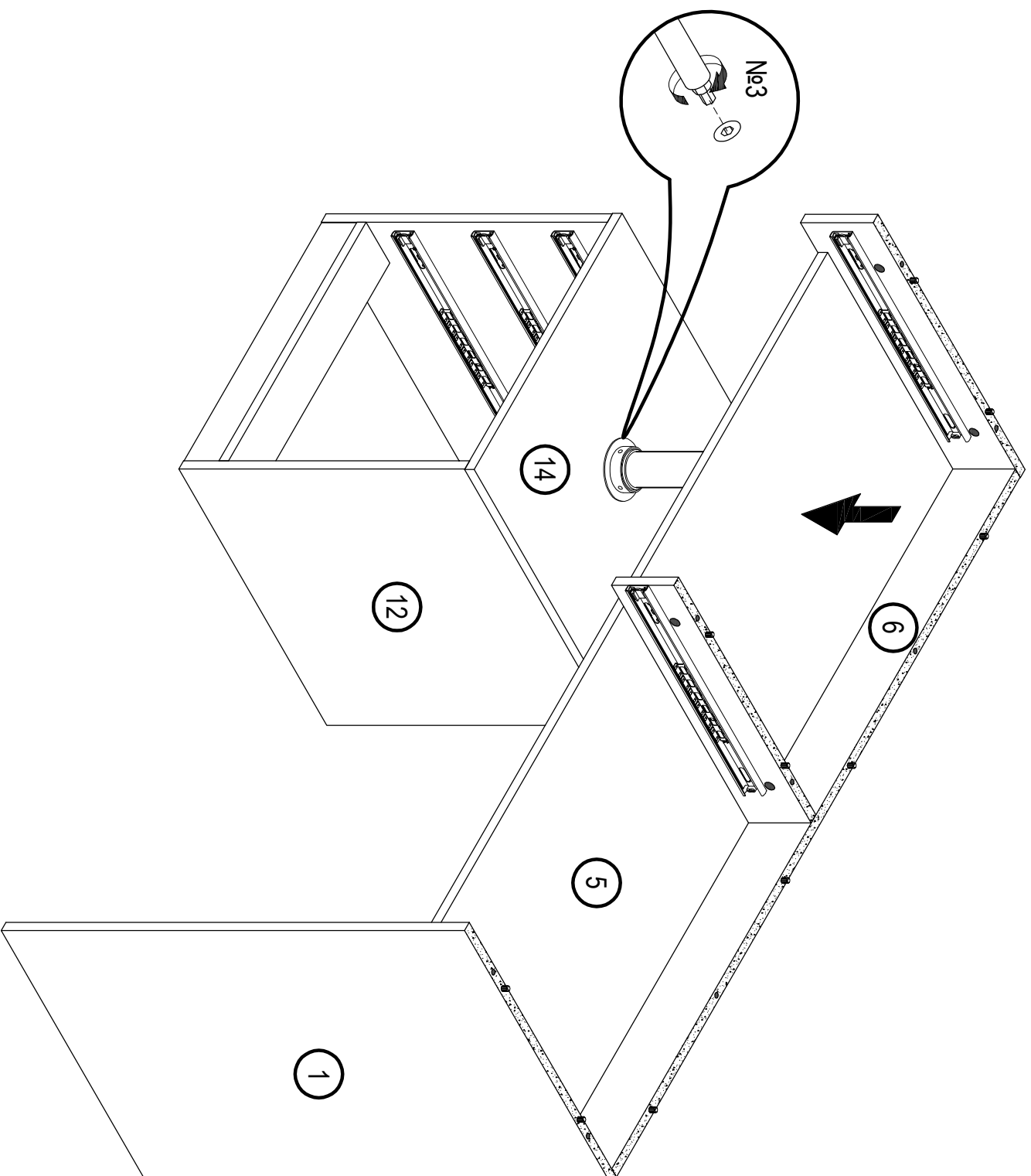
# 41



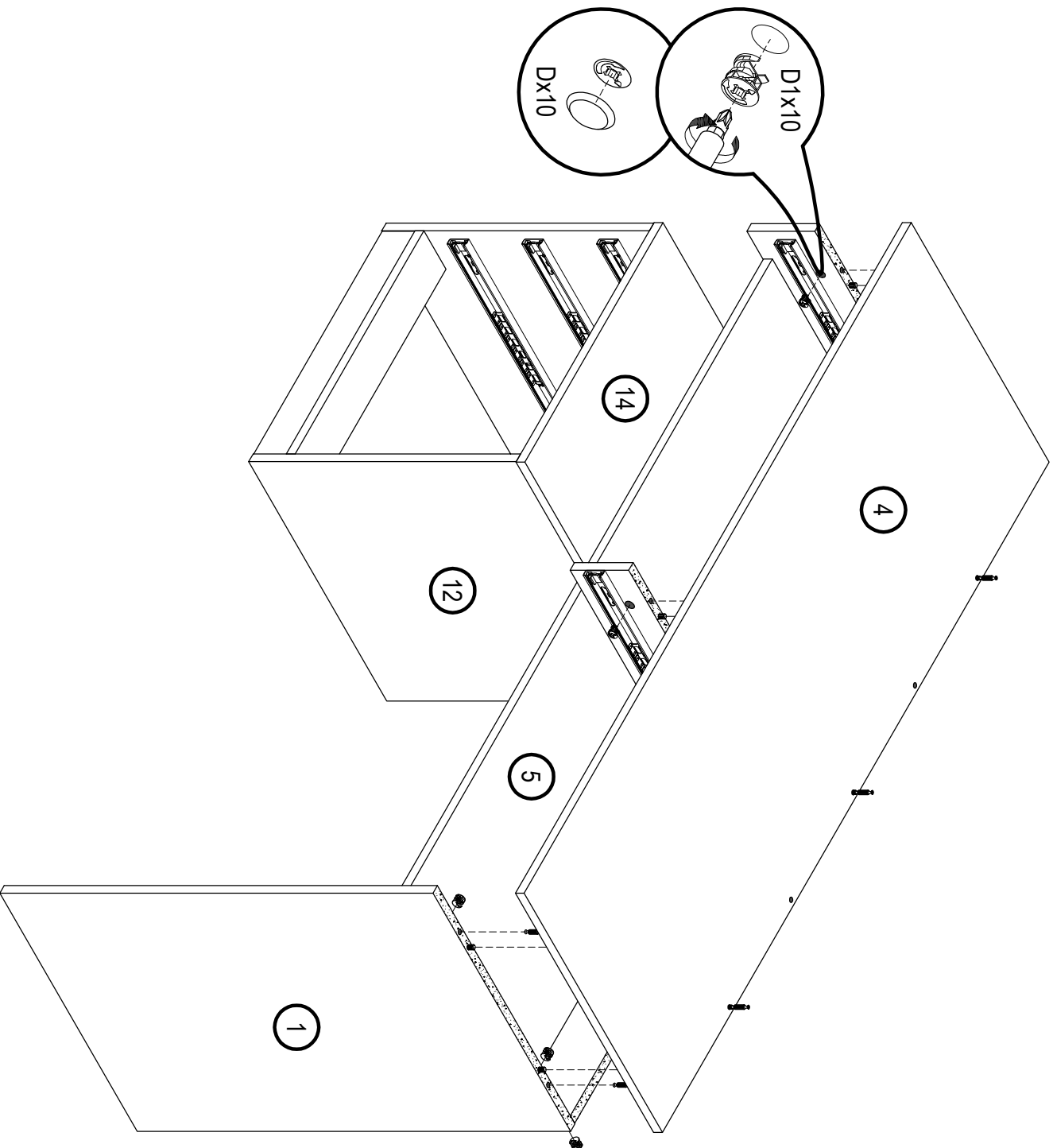
# 42



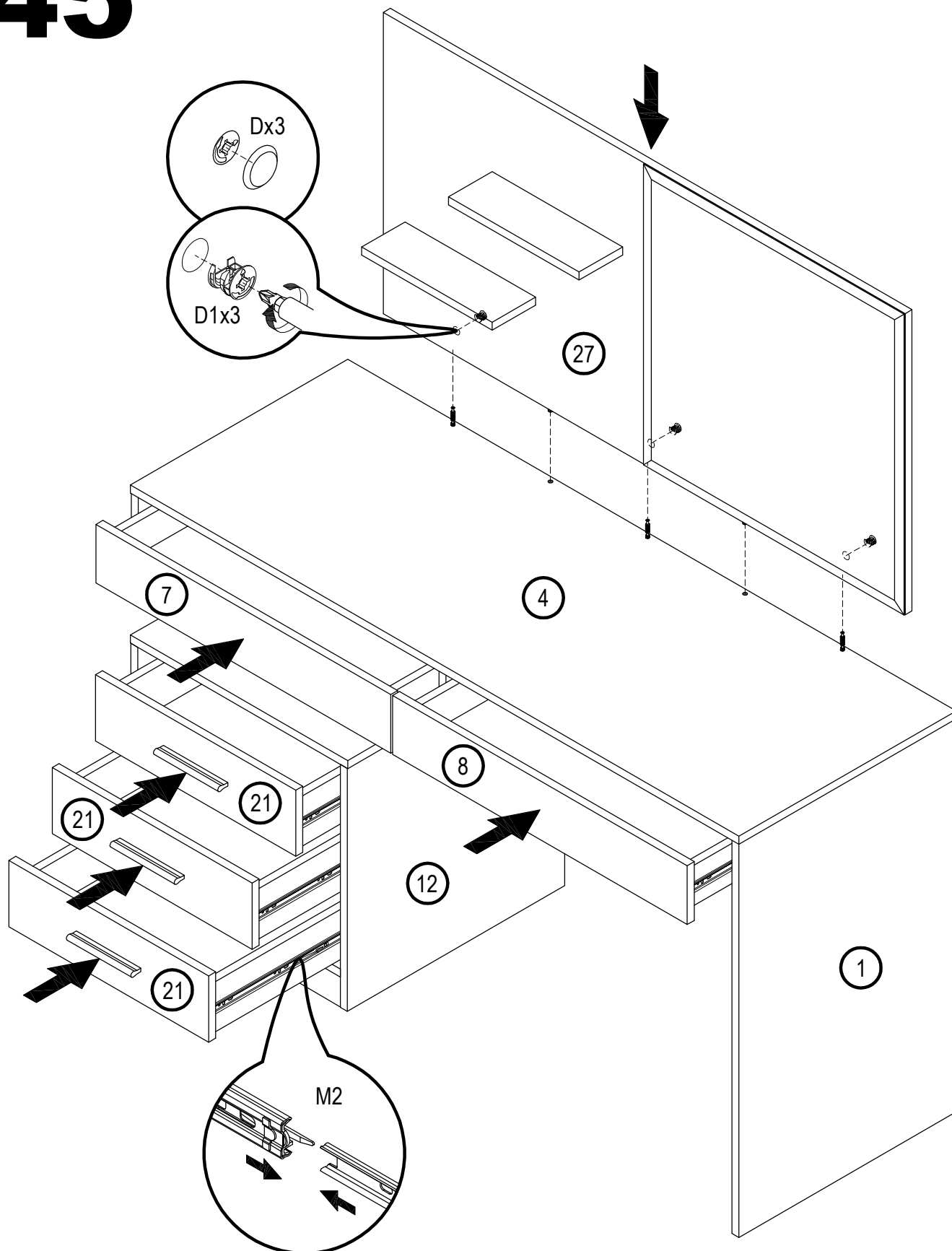
# 43



# 44



# 45



# 46

