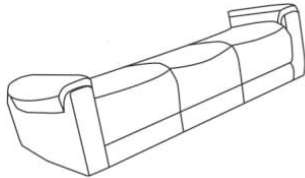


# CALGARY SOFA

## ASSEMBLY INSTRUCTIONS

AX 1



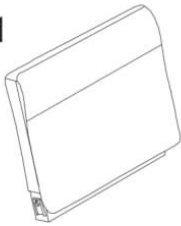
BX 1



CX 1



DX 1



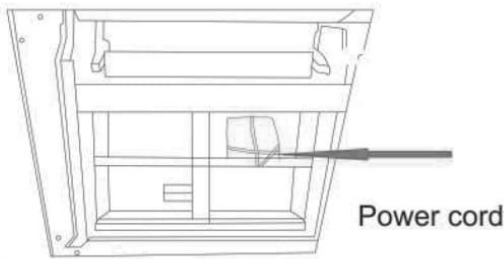
EX 1



FX 1

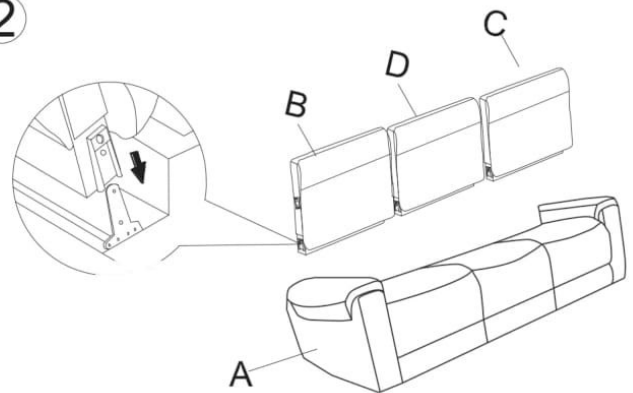


1

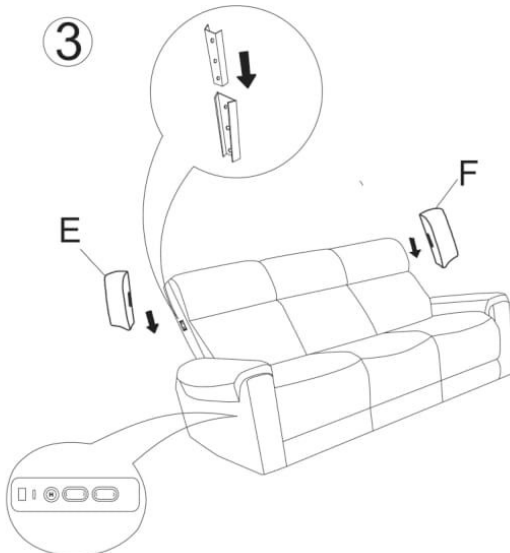


Untie the power cord.

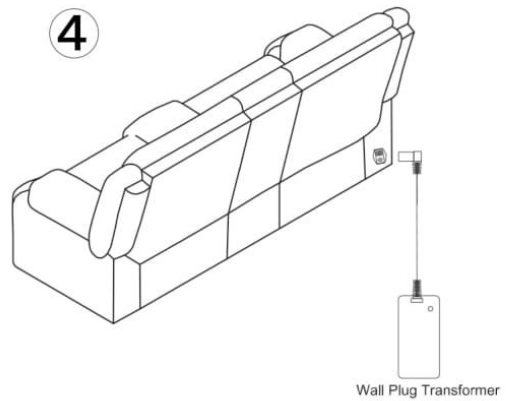
2



3

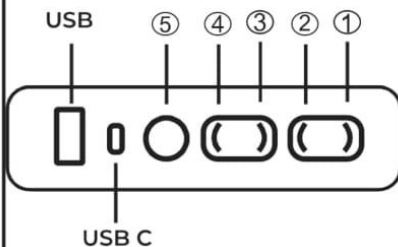


4

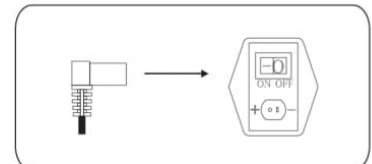


Wall Plug Transformer

Connect wall plug transformer to transformer switch.  
wall plug transformer to Transformer Power Switch



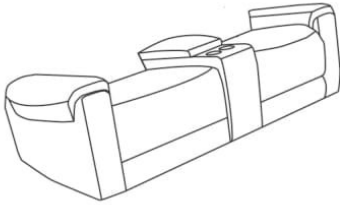
1. Press button ① Leg Rest Open
2. Press button ② Leg Rest Close
3. Press button ③ Headrest Forward
4. Press button ④ Headrest Back
5. Home button ⑤ All close



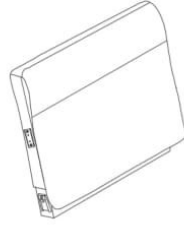
# CALGARY LOVESEAT

## ASSEMBLY INSTRUCTIONS

AX 1



B X 1



C X 1



DX 1



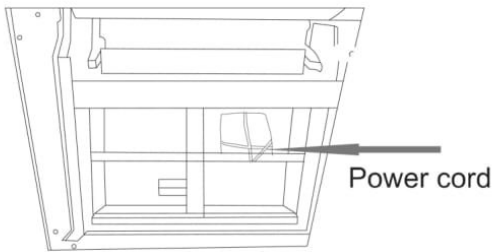
EX 1



FX 1



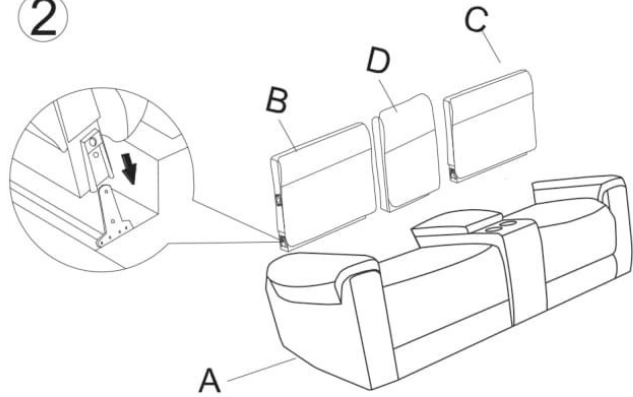
1



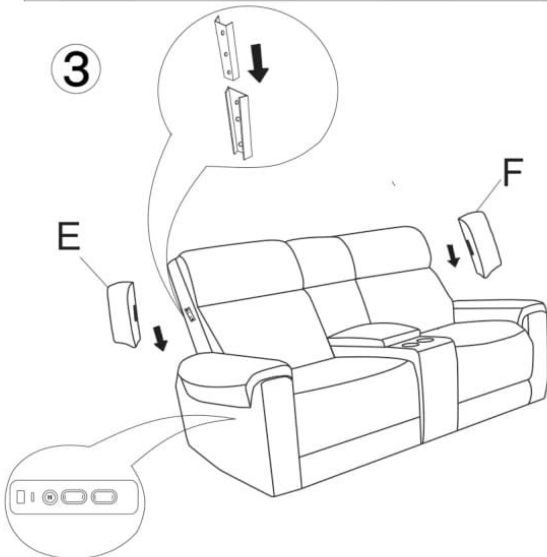
Power cord

Untie the power cord.

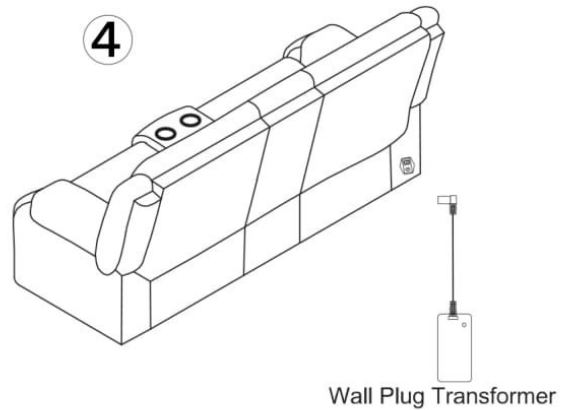
2



3

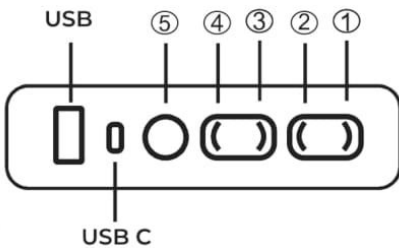


4

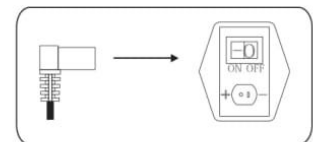


Wall Plug Transformer

Connect wall plug transformer to transformer switch.  
wall plug transformer to Transformer Power Switch



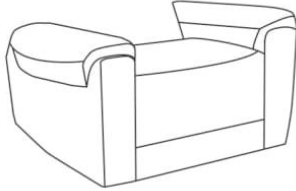
1. Press button ① Leg Rest Open
2. Press button ② Leg Rest Close
3. Press button ③ Headrest Forward
4. Press button ④ Headrest Back
5. Home button ⑤ All close



# CALGARY RECLINER

## ASSEMBLY INSTRUCTIONS

A X 1



B X 1



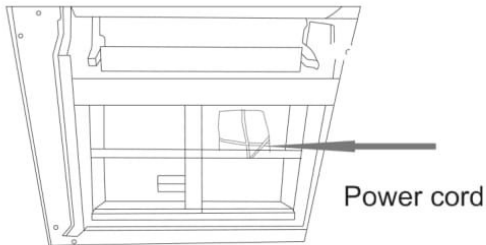
C X 1



D X 1



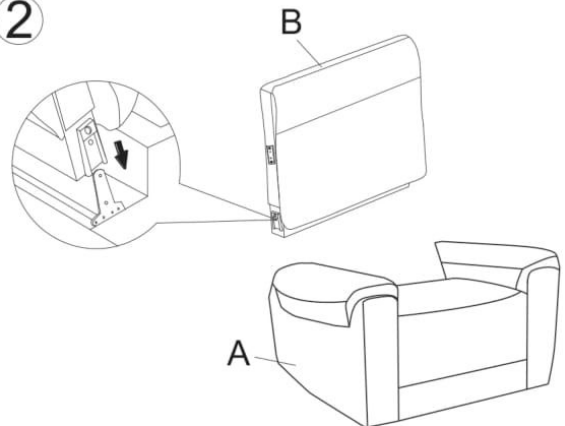
1



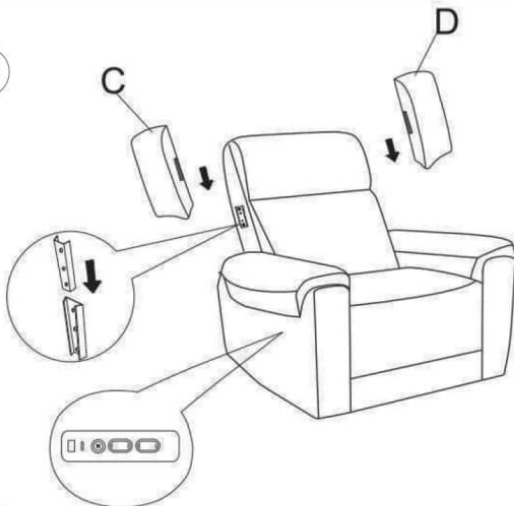
Power cord

Untie the power cord.

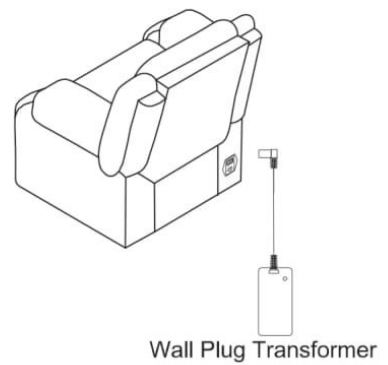
2



3

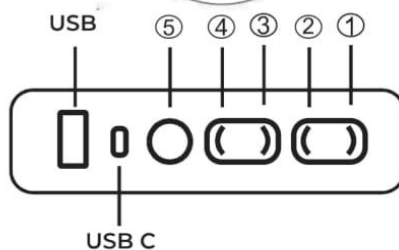
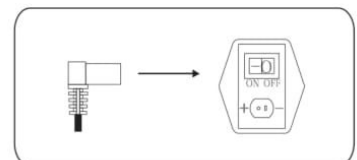


4



Wall Plug Transformer

Connect wall plug transformer to transformer switch  
wall plug transformer to Transformer  
Power Switch



1. Press button ① Leg Rest Open
2. Press button ② Leg Rest Close
3. Press button ③ Headrest Forward
4. Press button ④ Headrest Back
5. Home button ⑤ All close