

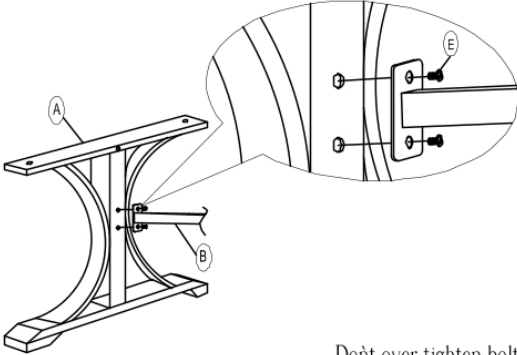
# RECTANGULAR TABLE

## Assembly instructions

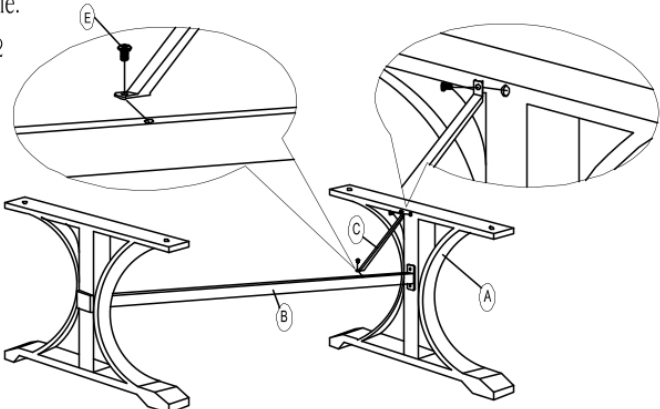
Ref	Description	Picture	Qty	Ref	Description	Picture	Qty	Ref	Description	Picture	Qty	Ref	Description	Picture	Qty
A	Table leg (R&L)		2	C	Table frame diagonal		2	E	Head Bolt (M8X16)		8	G	Hex Wrench (M8)		1
B	Table frame rail		1	D	Marble Top		1	F	Head Bolt (M8X35)		4				

Attention:  
Please do not fasten any screws entirely until each one fits properly in the corresponding hole.

STEP : 1



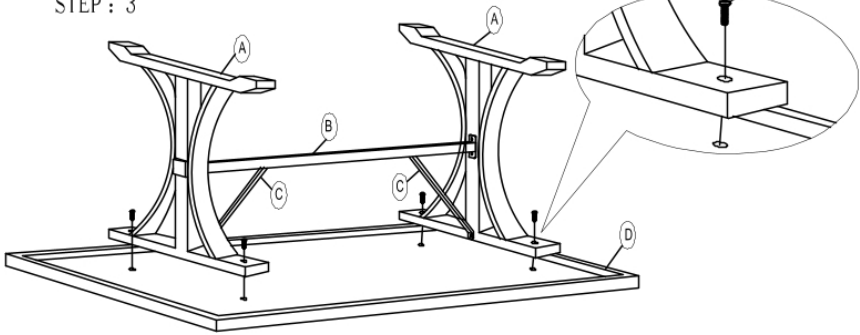
STEP : 2



Doñt over tighten bolts

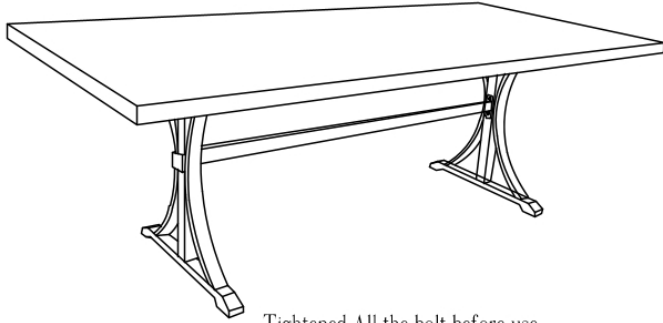
Doñt over tighten bolts

STEP : 3



Doñt over tighten bolts

STEP : 4



Tightened All the bolt before use